



US00D635928S

(12) **United States Design Patent**  
**Nagata et al.**

(10) **Patent No.:** **US D635,928 S**  
(45) **Date of Patent:** **\*\* Apr. 12, 2011**

(54) **ELECTRICAL CONNECTOR**

(75) Inventors: **Takayuki Nagata, Yao (JP); Takahisa Ohtsuji, Yao (JP)**

(73) Assignee: **Hosiden Corporation, Yao-shi (JP)**

(\*\*) Term: **14 Years**

(21) Appl. No.: **29/369,026**

(22) Filed: **Sep. 1, 2010**

(30) **Foreign Application Priority Data**

Mar. 17, 2010 (JP) ..... 2010-006533

(51) **LOC (9) Cl.** ..... **13-03**

(52) **U.S. Cl.** ..... **D13/147**

(58) **Field of Classification Search** ..... D13/147,  
D13/154, 184; 439/108, 476.1, 483, 527,  
439/533, 607.01, 607.04, 607.05, 607.17,  
439/607.25, 607.34, 607.41, 607.53, 892,  
439/894

See application file for complete search history.

(56) **References Cited**

**U.S. PATENT DOCUMENTS**

D607,823 S *	1/2010	Koyama et al.	.....	D13/147
D621,365 S *	8/2010	Kondo et al.	.....	D13/147
D621,787 S *	8/2010	Kondo	.....	D13/147
D621,788 S *	8/2010	Kondo	.....	D13/147
D626,078 S *	10/2010	Kondo et al.	.....	D13/147

\* cited by examiner

*Primary Examiner* — Daniel D Bui

(74) *Attorney, Agent, or Firm* — Kratz, Quintos & Hanson, LLP

(57) **CLAIM**

The ornamental design for an electrical connector, as shown and described.

**DESCRIPTION**

FIG. 1 is a front elevational view of an electric connector according to the present invention;  
 FIG. 2 is a back elevational view thereof;  
 FIG. 3 is a top plan view thereof;  
 FIG. 4 is a bottom plan view thereof;  
 FIG. 5 is a right side elevational view thereof;  
 FIG. 6 is a left side elevational view thereof;  
 FIG. 7 is a cross-sectional view thereof taken along line 7—7 of FIG. 1;  
 FIG. 8 is a cross-sectional view thereof taken along line 8—8 of FIG. 1;  
 FIG. 9 is a cross-sectional view thereof taken along line 9—9 of FIG. 1;  
 FIG. 10 is a cross-sectional view thereof taken along line 10—10 of FIG. 1;  
 FIG. 11 is a cross-sectional view thereof taken along line 11—11 of FIG. 1;  
 FIG. 12 is a top, front, and right side perspective view thereof; and,  
 FIG. 13 is a bottom, back, and right side perspective view thereof.

**1 Claim, 13 Drawing Sheets**

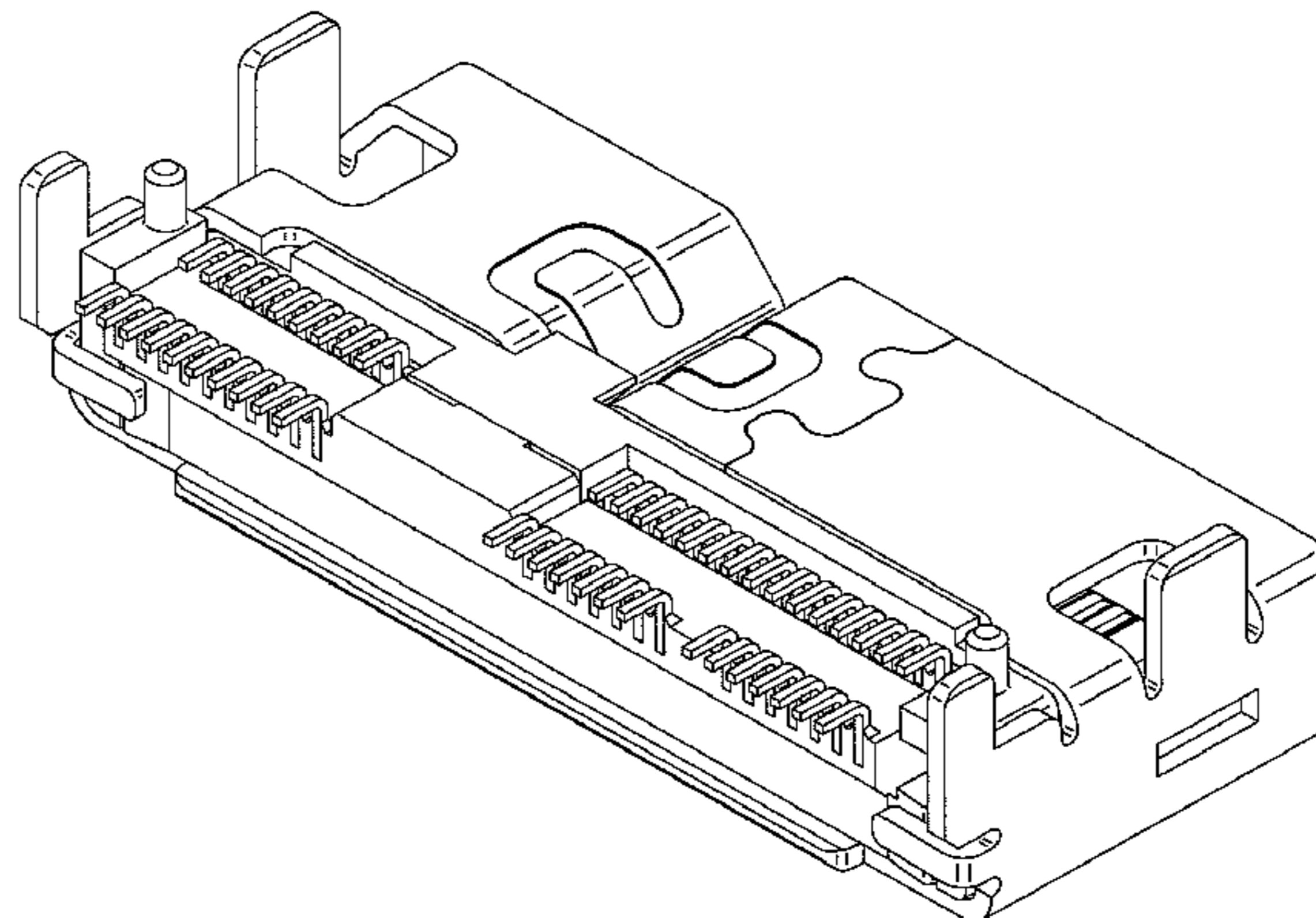
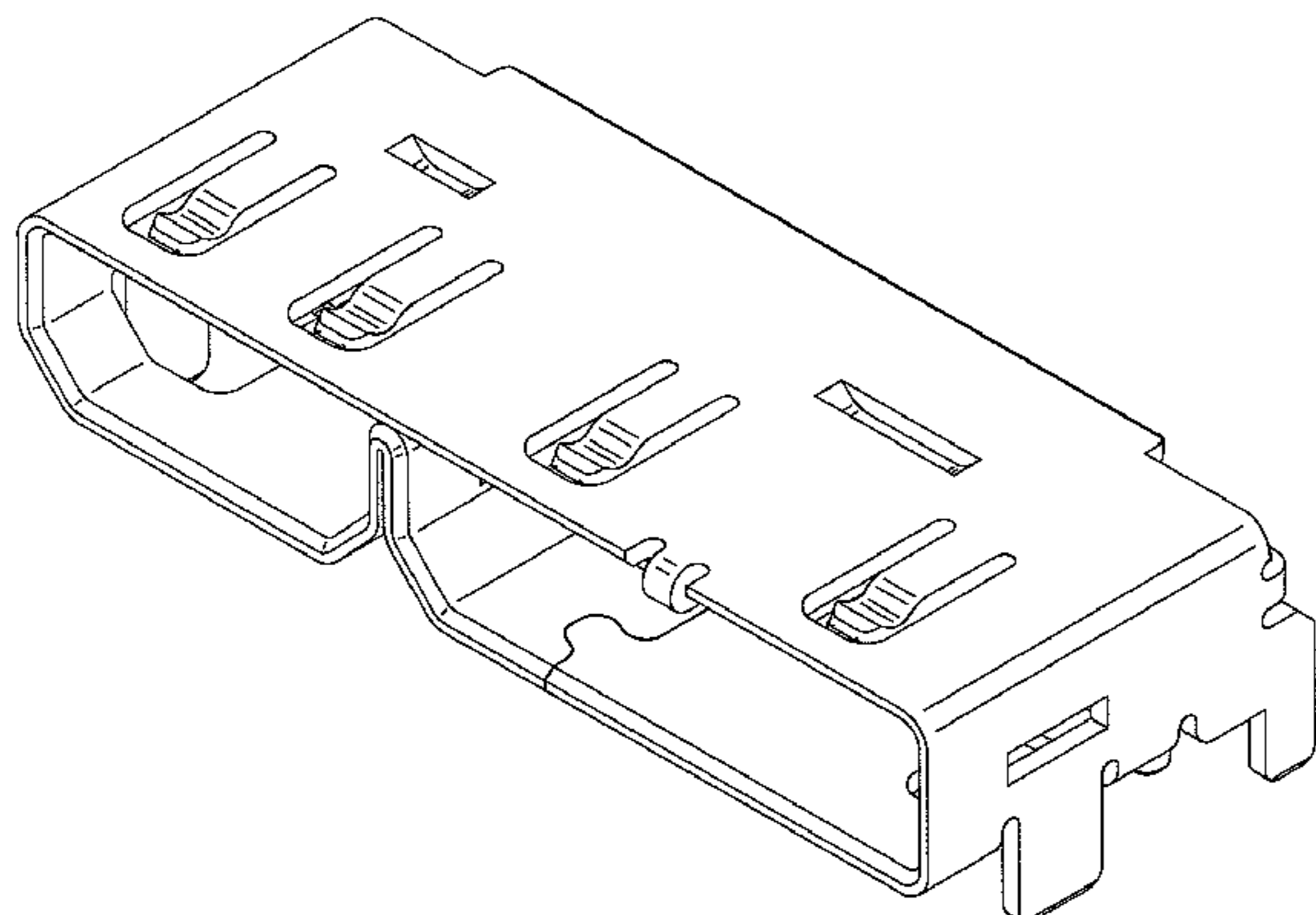


Fig. 1

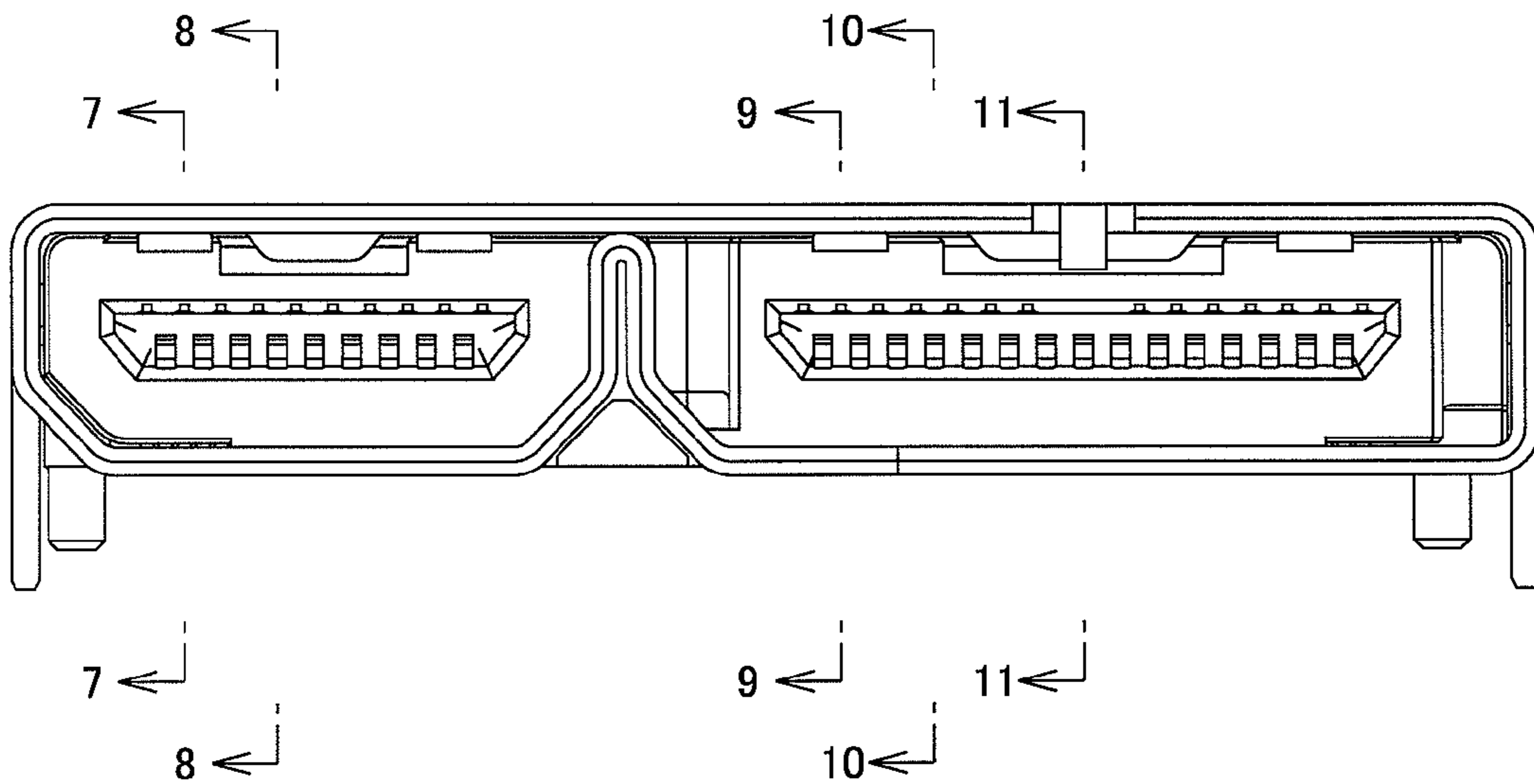


Fig. 2

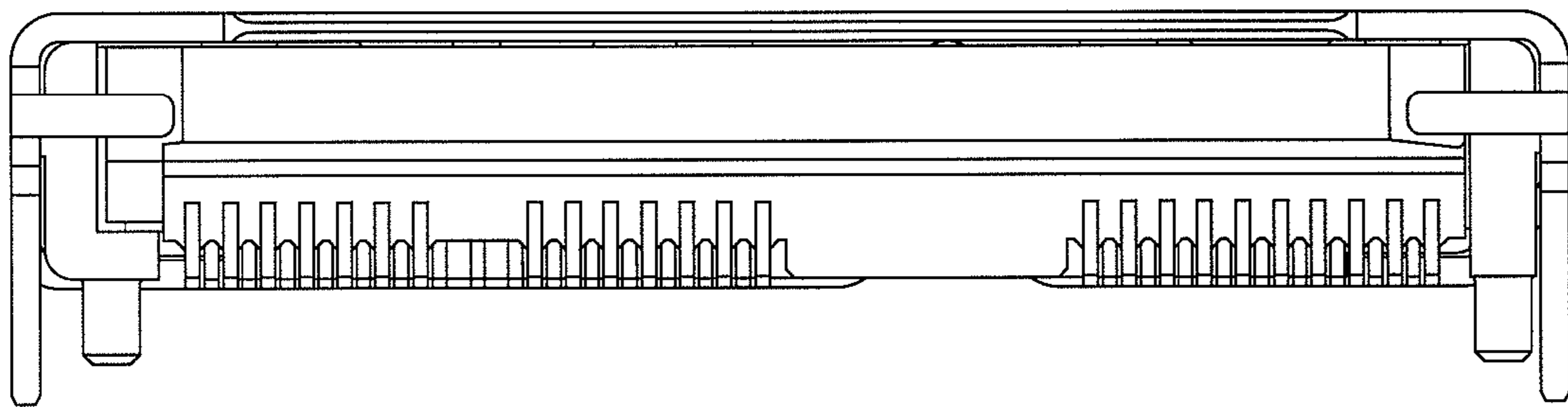


Fig. 3

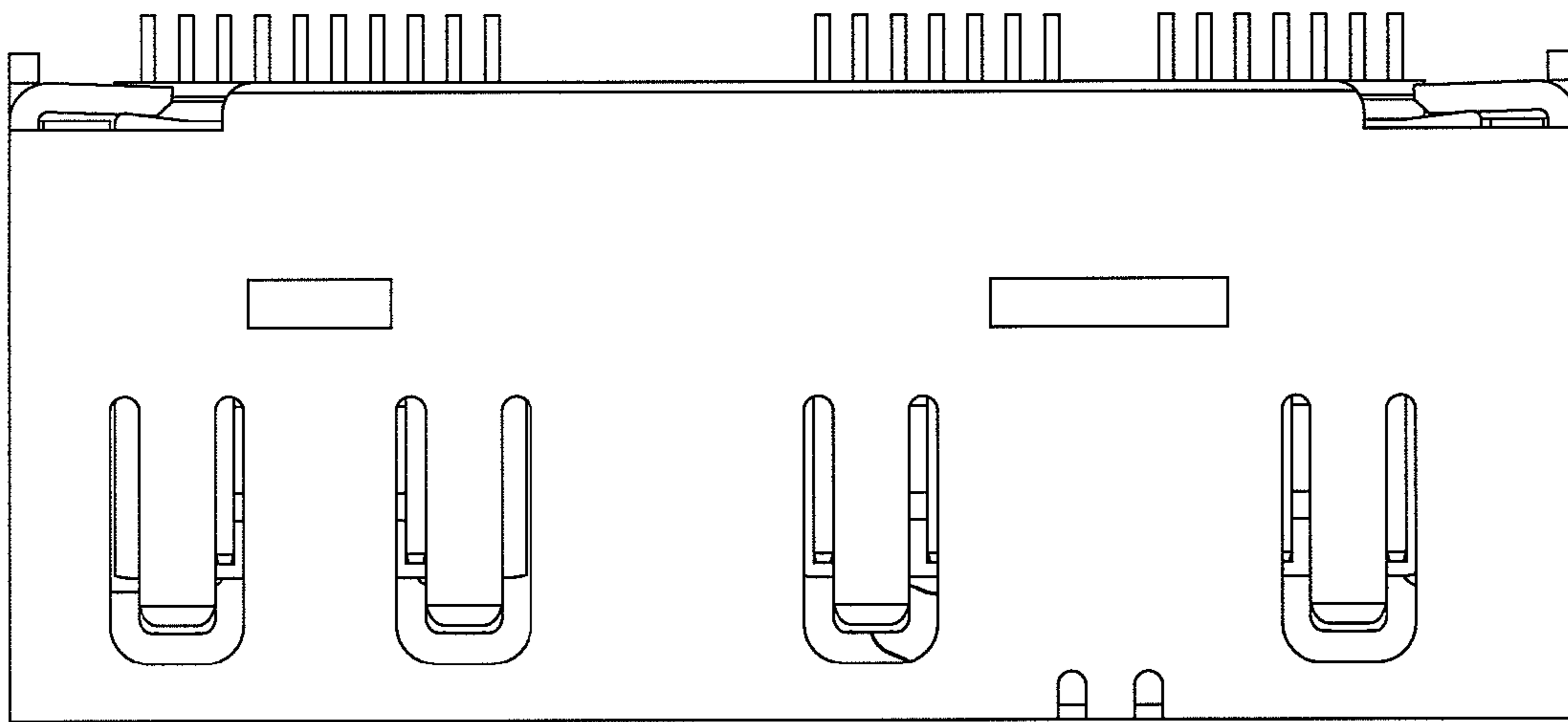
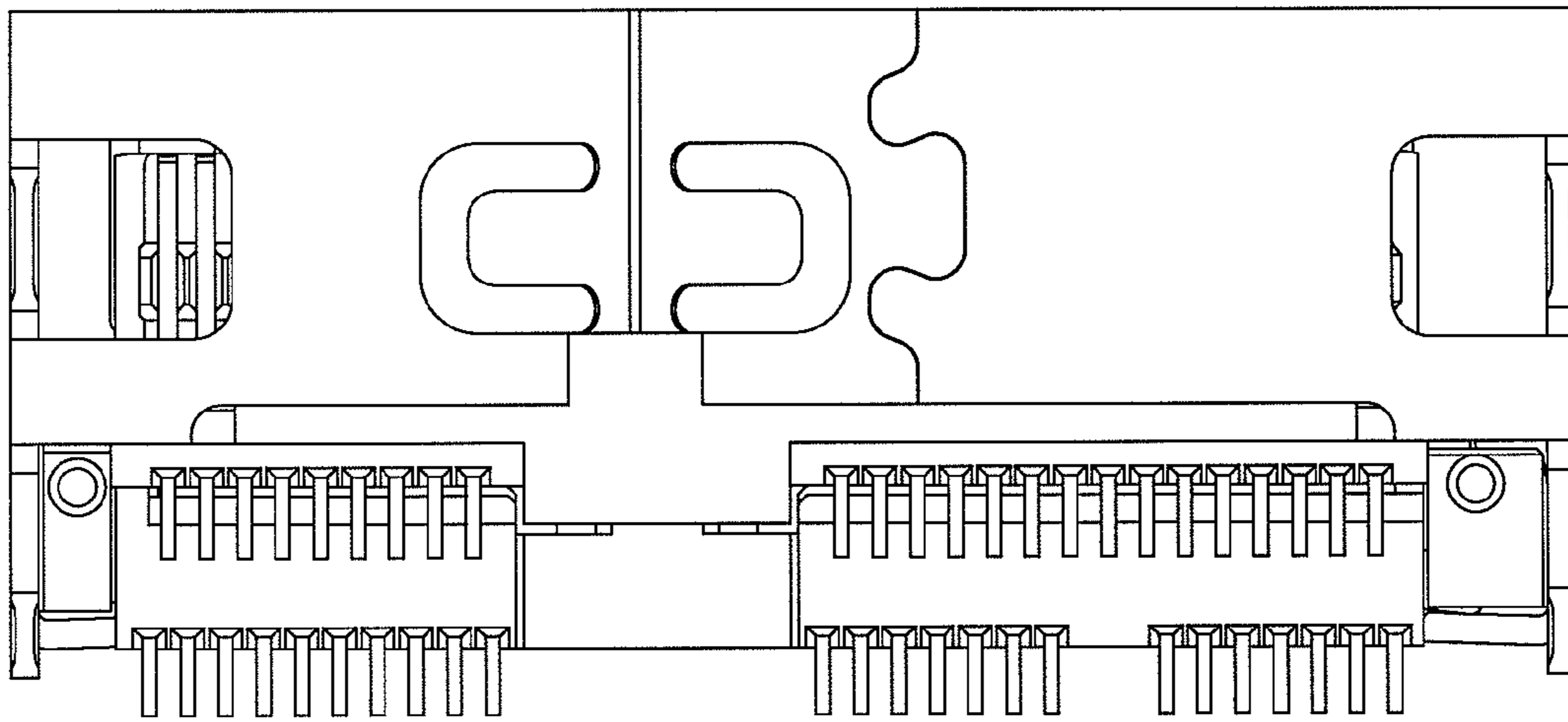
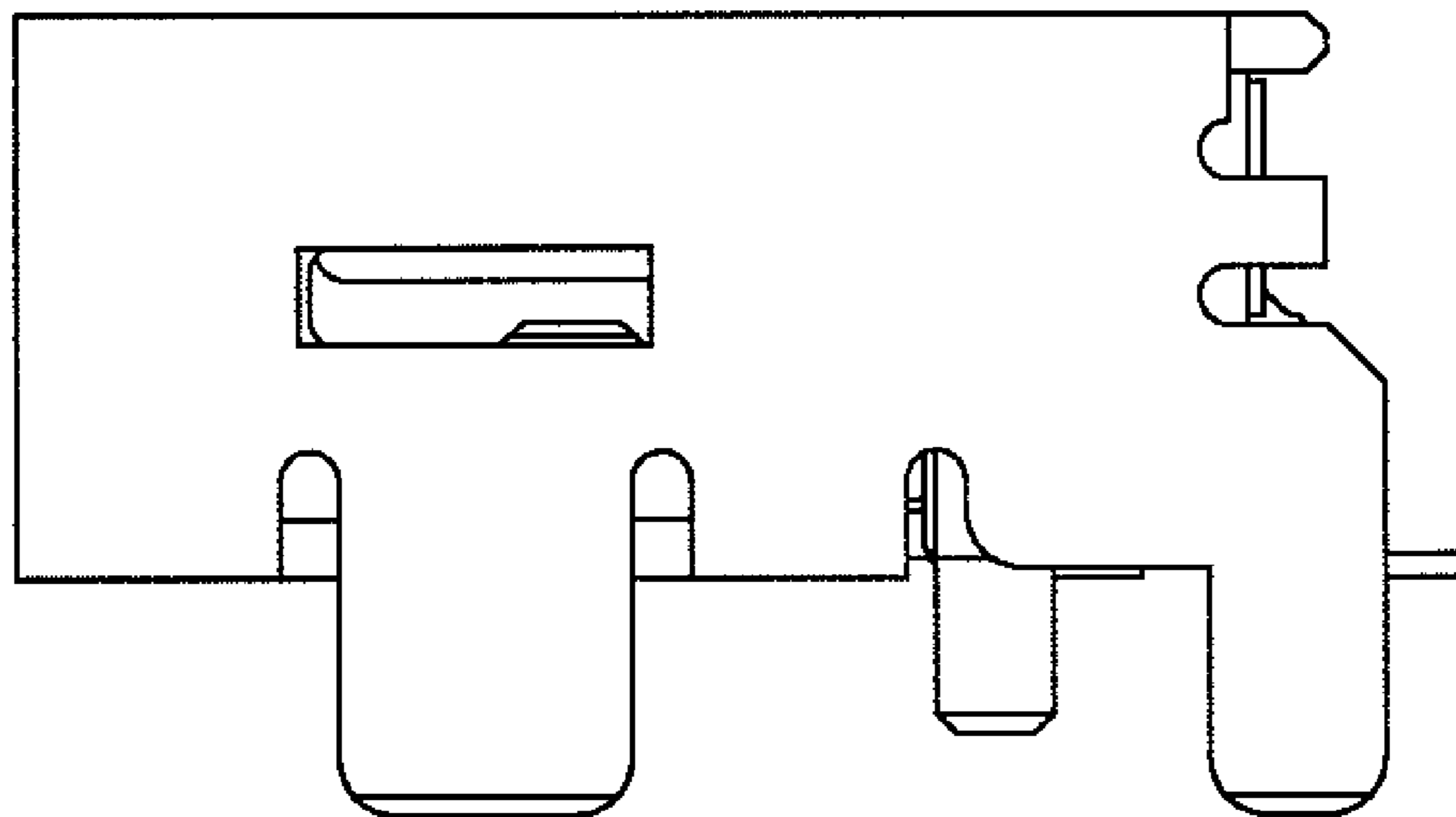


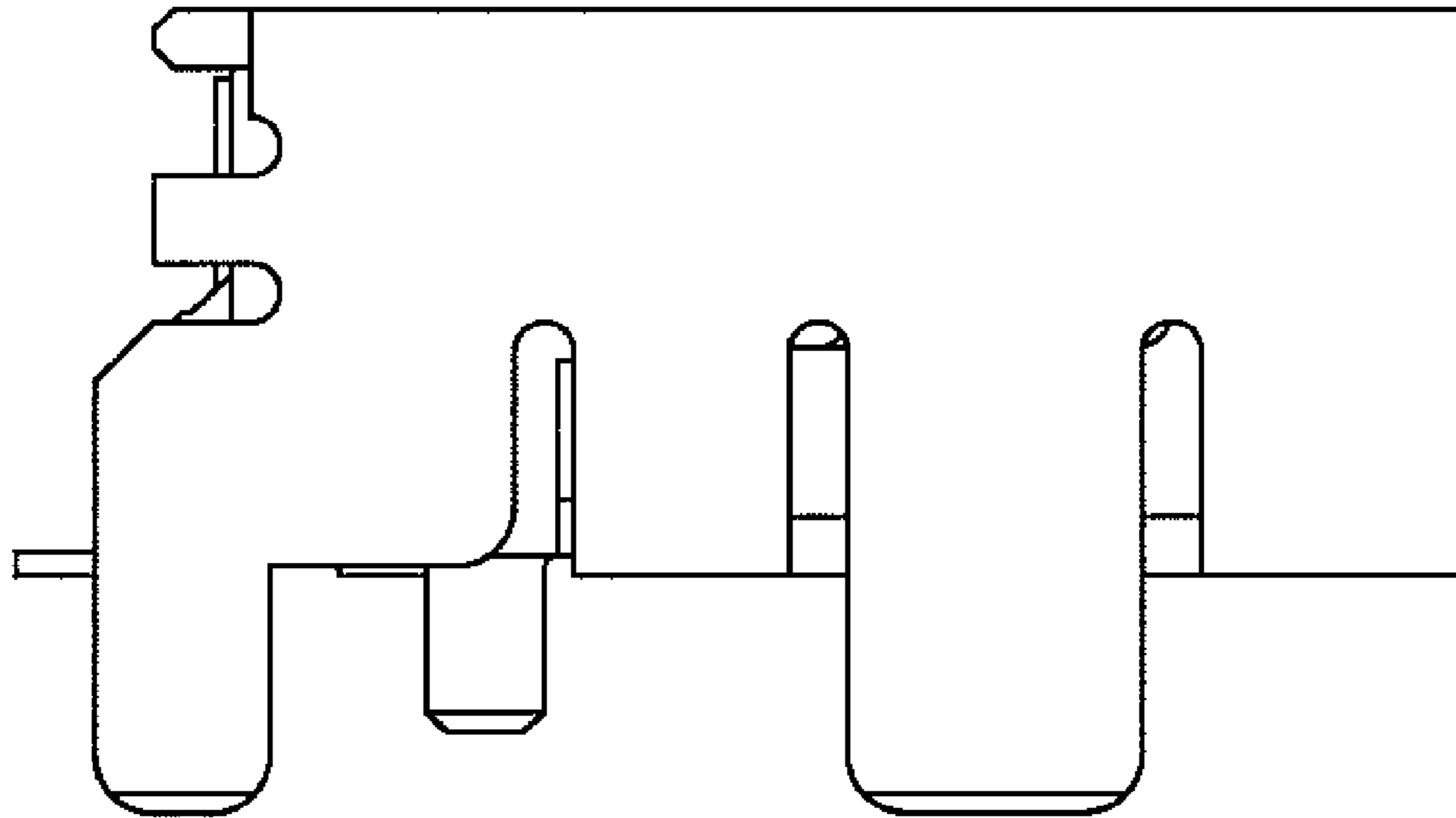
Fig. 4



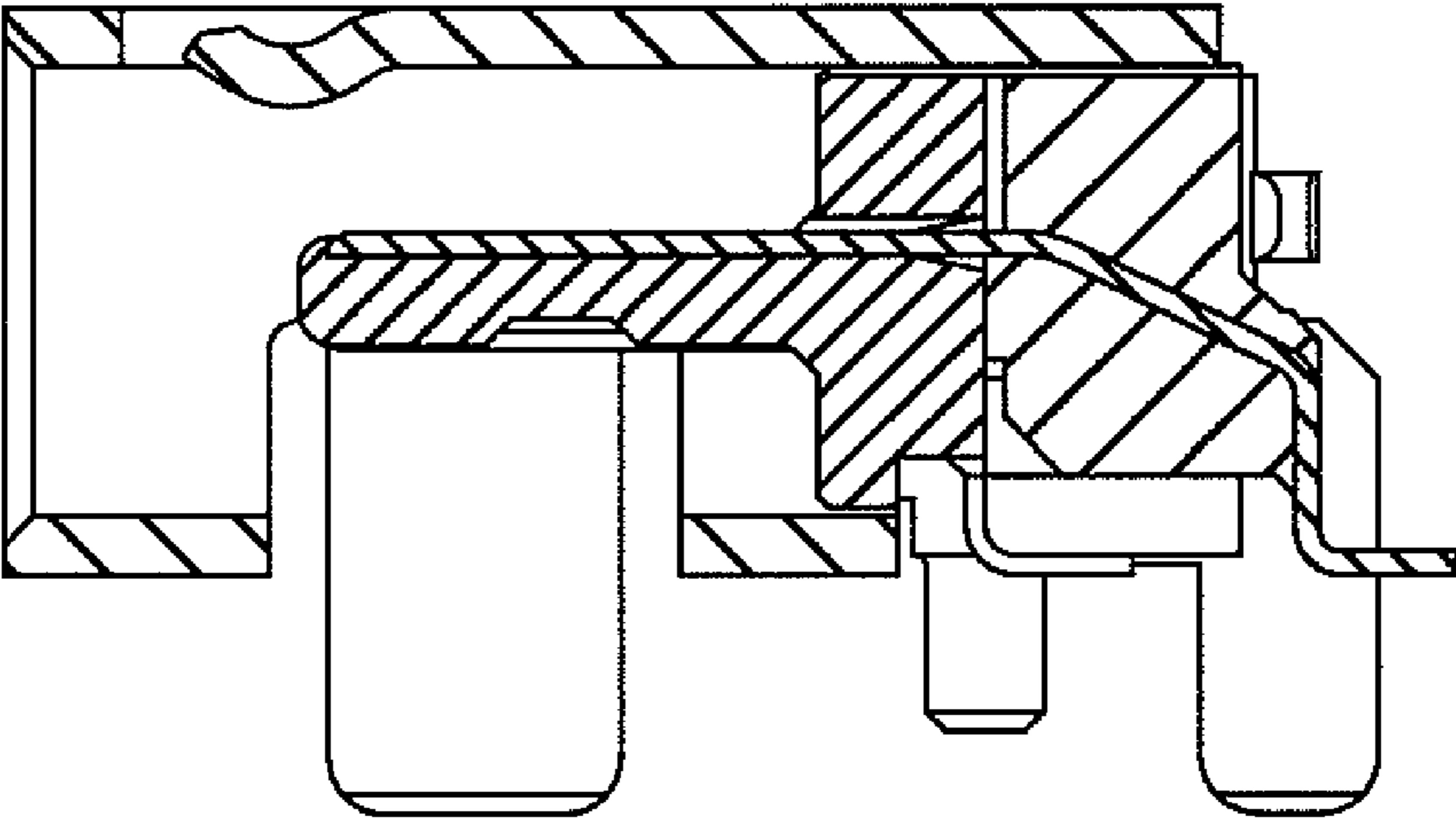
**Fig. 5**



**Fig. 6**

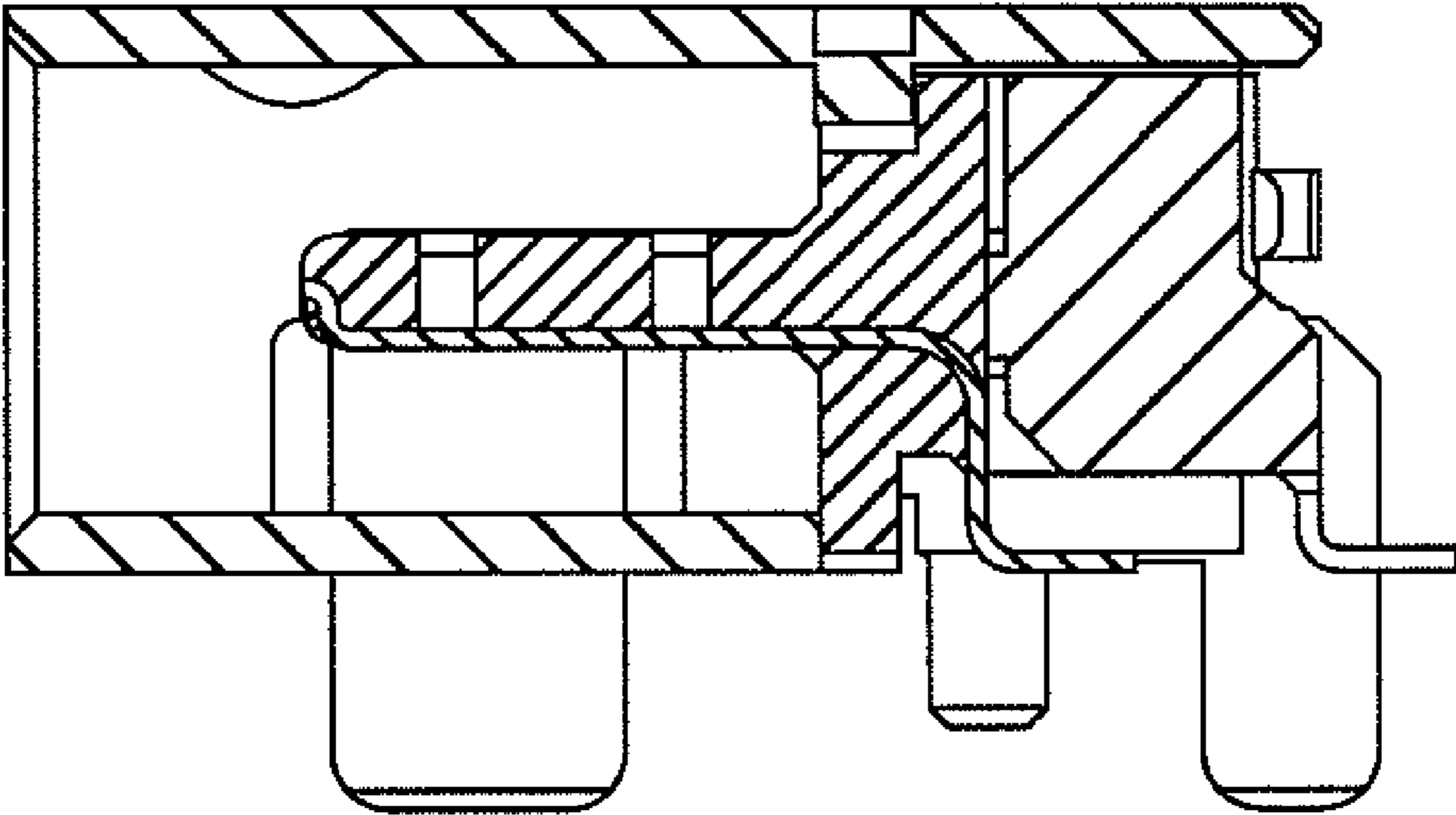


**Fig. 7**

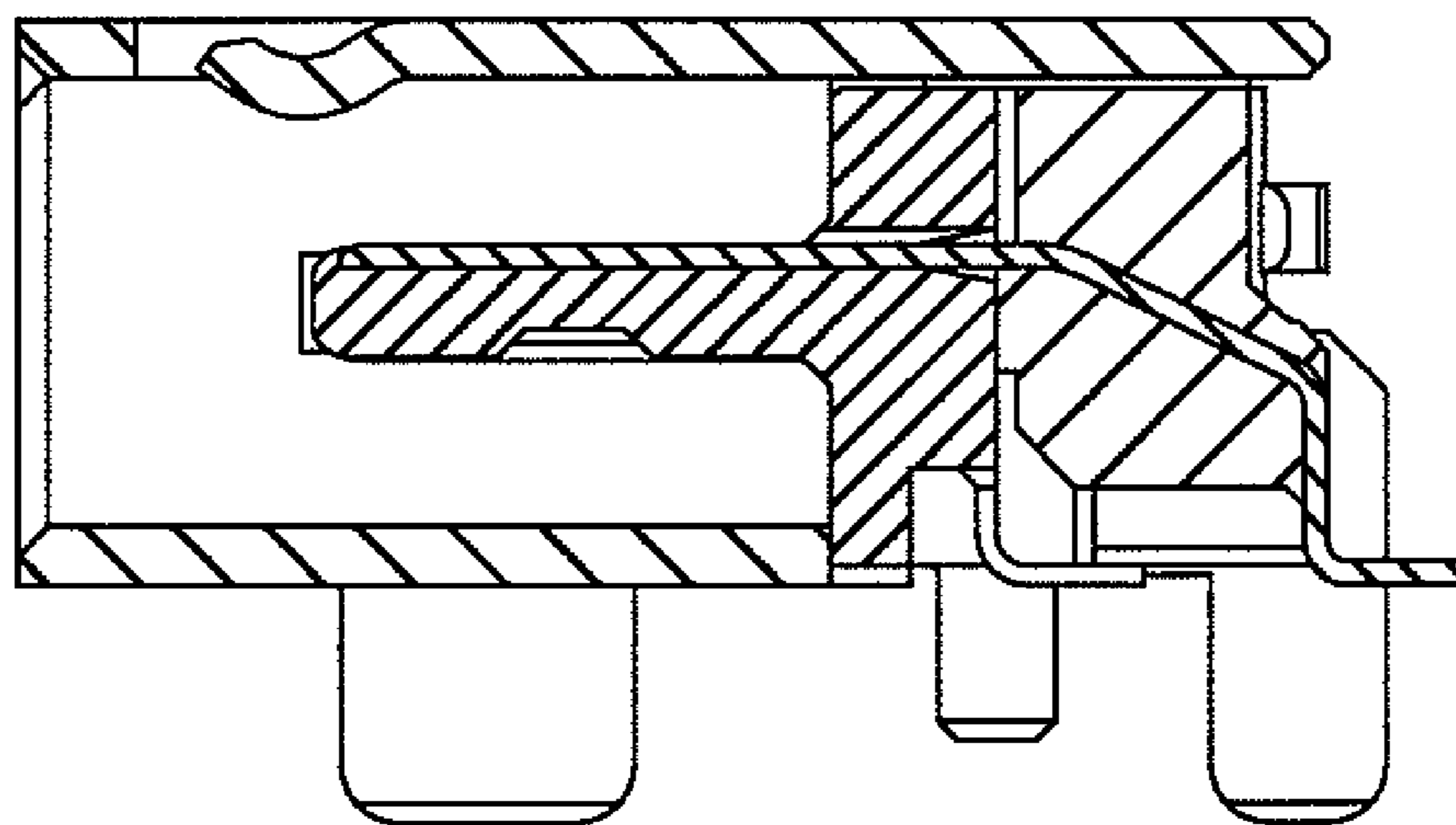




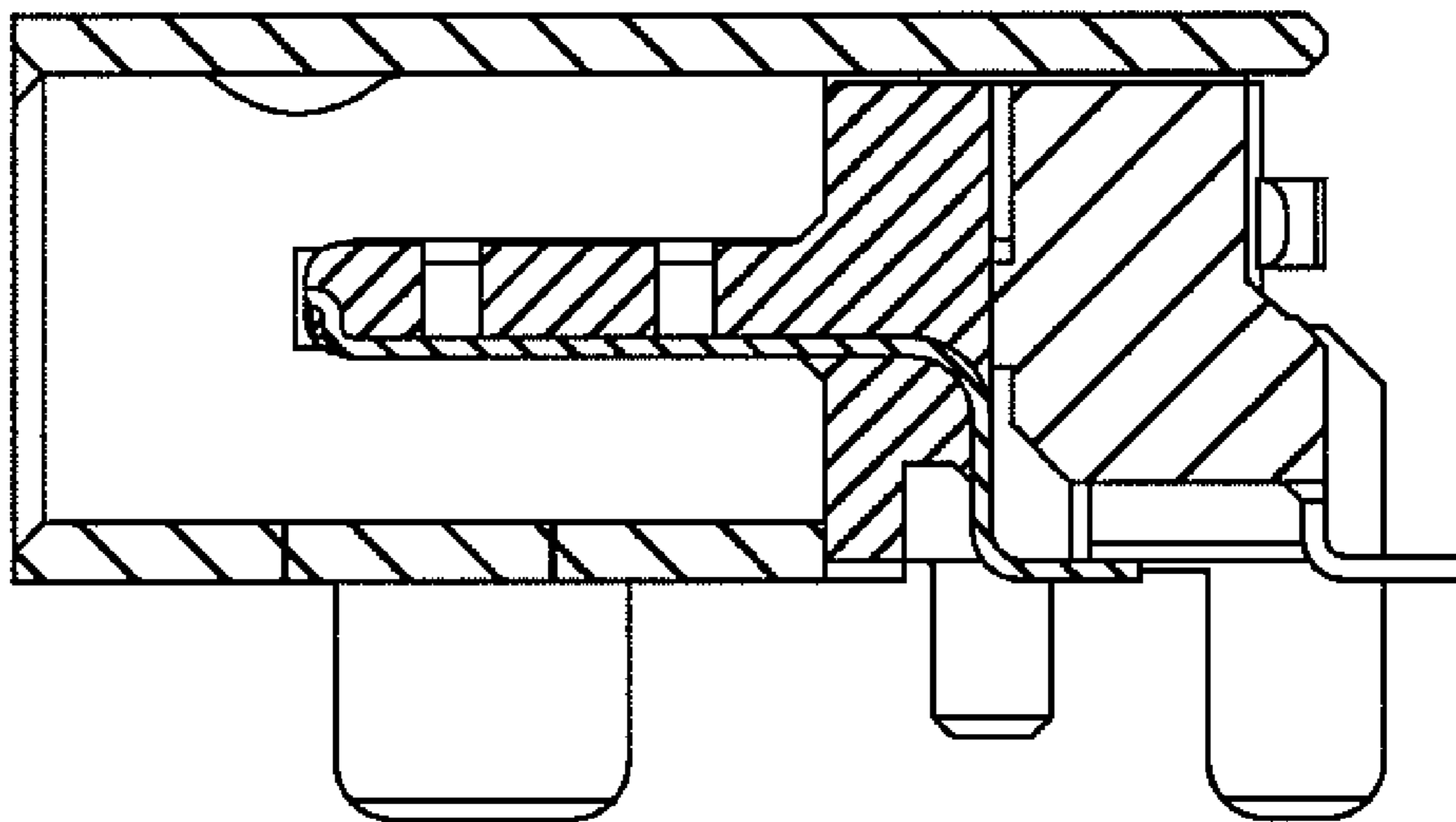
**Fig. 8**



**Fig. 9**



**Fig. 10**



**Fig. 11**

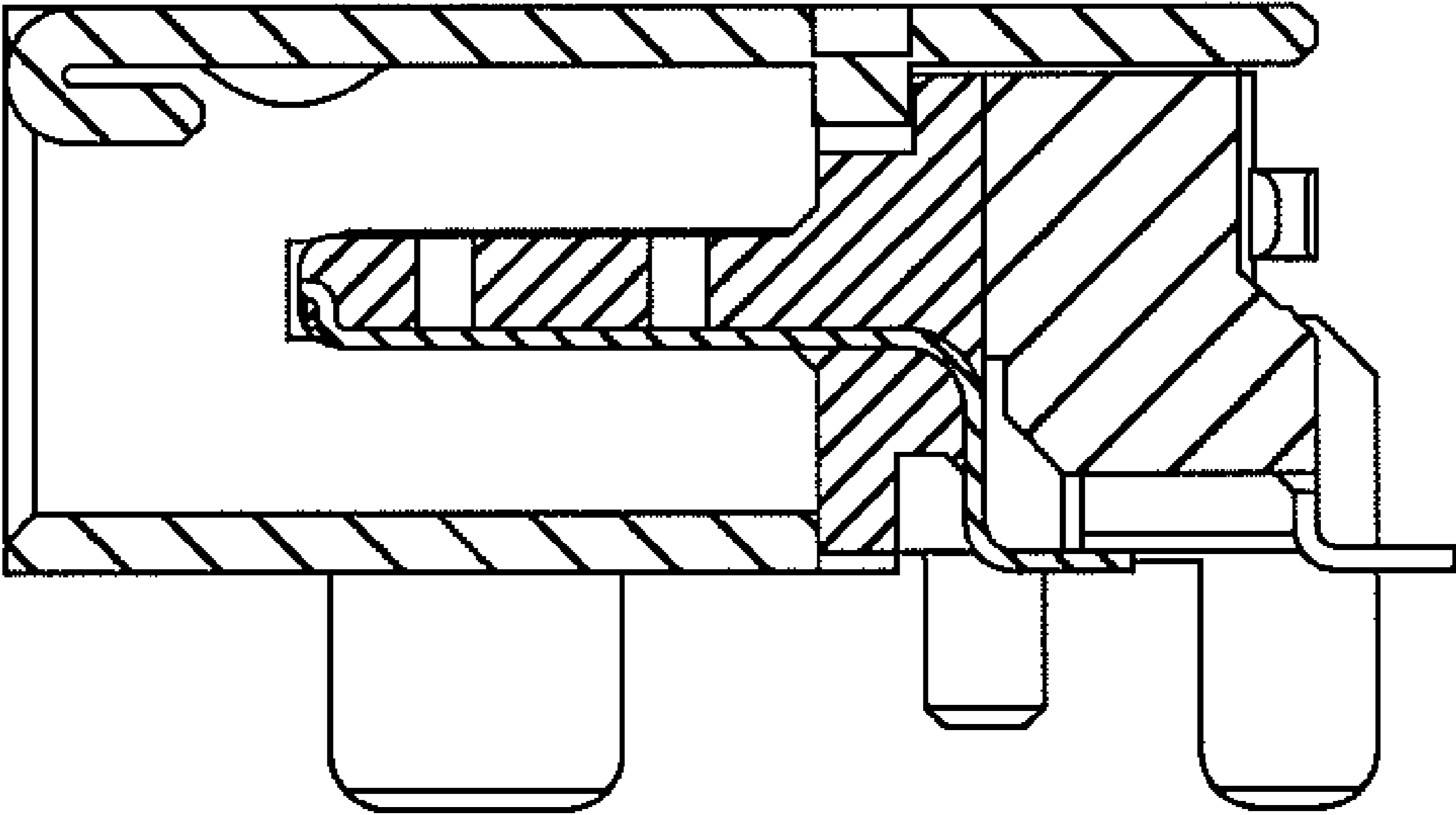


Fig. 12

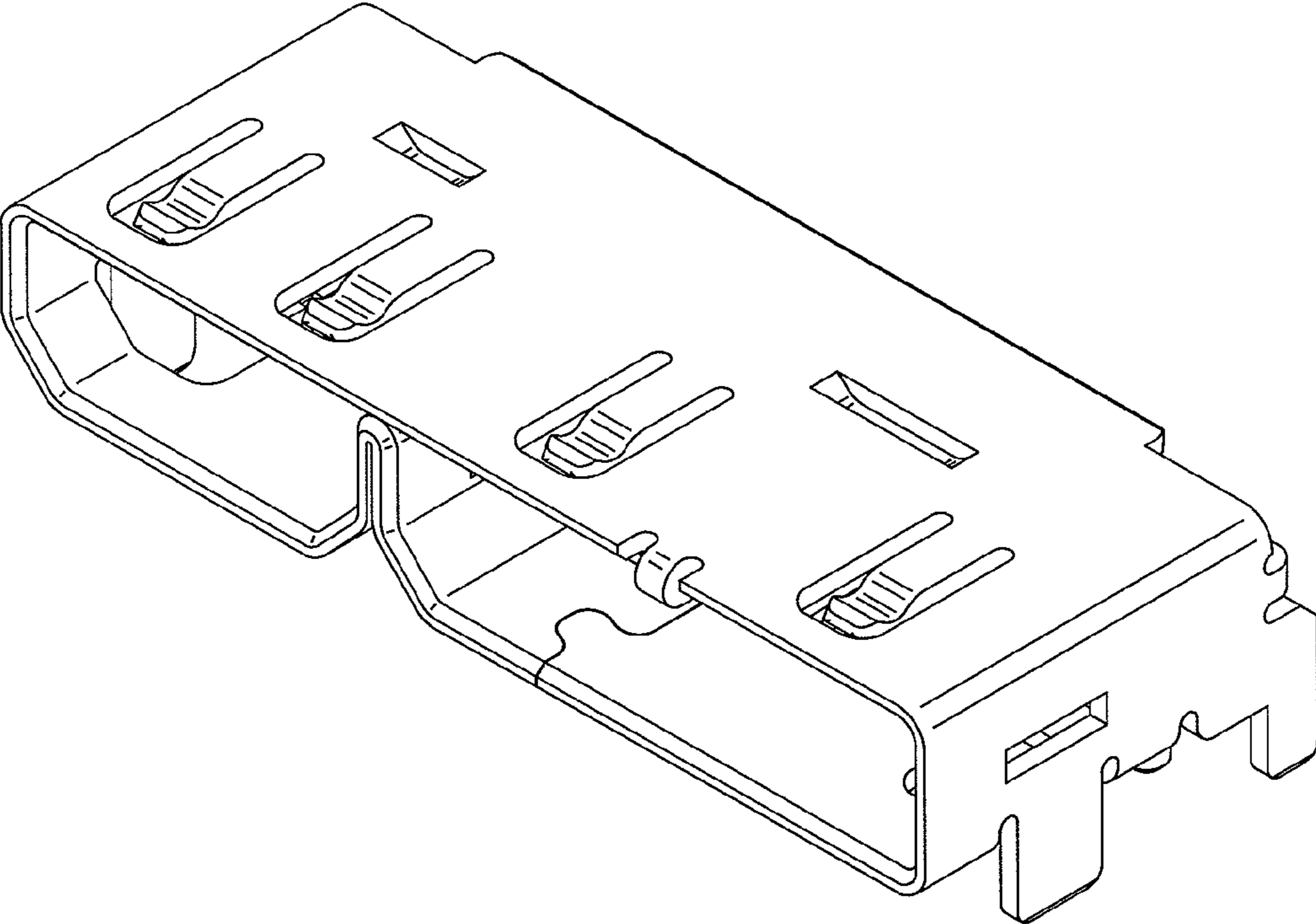


Fig. 13

