



US00D635927S

(12) **United States Design Patent**
Nagata et al.

(10) **Patent No.:** **US D635,927 S**
(45) **Date of Patent:** **** Apr. 12, 2011**

(54) **ELECTRICAL CONNECTOR**

(75) Inventors: **Takayuki Nagata, Yao (JP); Takahisa Ohtsuji, Yao (JP)**

(73) Assignee: **Hosiden Corporation, Yao-shi (JP)**

(**) Term: **14 Years**

(21) Appl. No.: **29/369,024**

(22) Filed: **Sep. 1, 2010**

(30) **Foreign Application Priority Data**

Mar. 17, 2010 (JP) 2010-006532

(51) **LOC (9) Cl.** **13-03**

(52) **U.S. Cl.** **D13/147**

(58) **Field of Classification Search** D13/147,
D13/154, 184; 439/108, 476.1, 483, 527,
439/533, 607.01, 607.04, 607.05, 607.17,
439/607.25, 607.34, 607.41, 607.53, 892,
439/894

See application file for complete search history.

(56) **References Cited**

U.S. PATENT DOCUMENTS

D607,823 S * 1/2010 Koyama et al. D13/147
D621,365 S * 8/2010 Kondo et al. D13/147
D621,787 S * 8/2010 Kondo D13/147

D621,788 S * 8/2010 Kondo D13/147
D626,078 S * 10/2010 Kondo et al. D13/147

* cited by examiner

Primary Examiner — Daniel D Bui

(74) *Attorney, Agent, or Firm* — Kratz, Quintos & Hanson, LLP

(57) **CLAIM**

The ornamental design for an electrical connector, as shown and described.

DESCRIPTION

FIG. 1 is a front elevational view of an electric connector according to the present invention;
FIG. 2 is a back elevational view thereof;
FIG. 3 is a top plan view thereof;
FIG. 4 is a bottom plan view thereof;
FIG. 5 is a right side elevational view thereof;
FIG. 6 is a left side elevational view thereof;
FIG. 7 is a cross-sectional view thereof taken along line 7—7 of FIG. 1;
FIG. 8 is a cross-sectional view thereof taken along line 8—8 of FIG. 1;
FIG. 9 is a cross-sectional view thereof taken along line 9—9 of FIG. 1;
FIG. 10 is a cross-sectional view thereof taken along line 10—10 of FIG. 1;
FIG. 11 is a top, front, and right side perspective view thereof; and,
FIG. 12 is a bottom, back, and right side perspective view thereof.

1 Claim, 12 Drawing Sheets

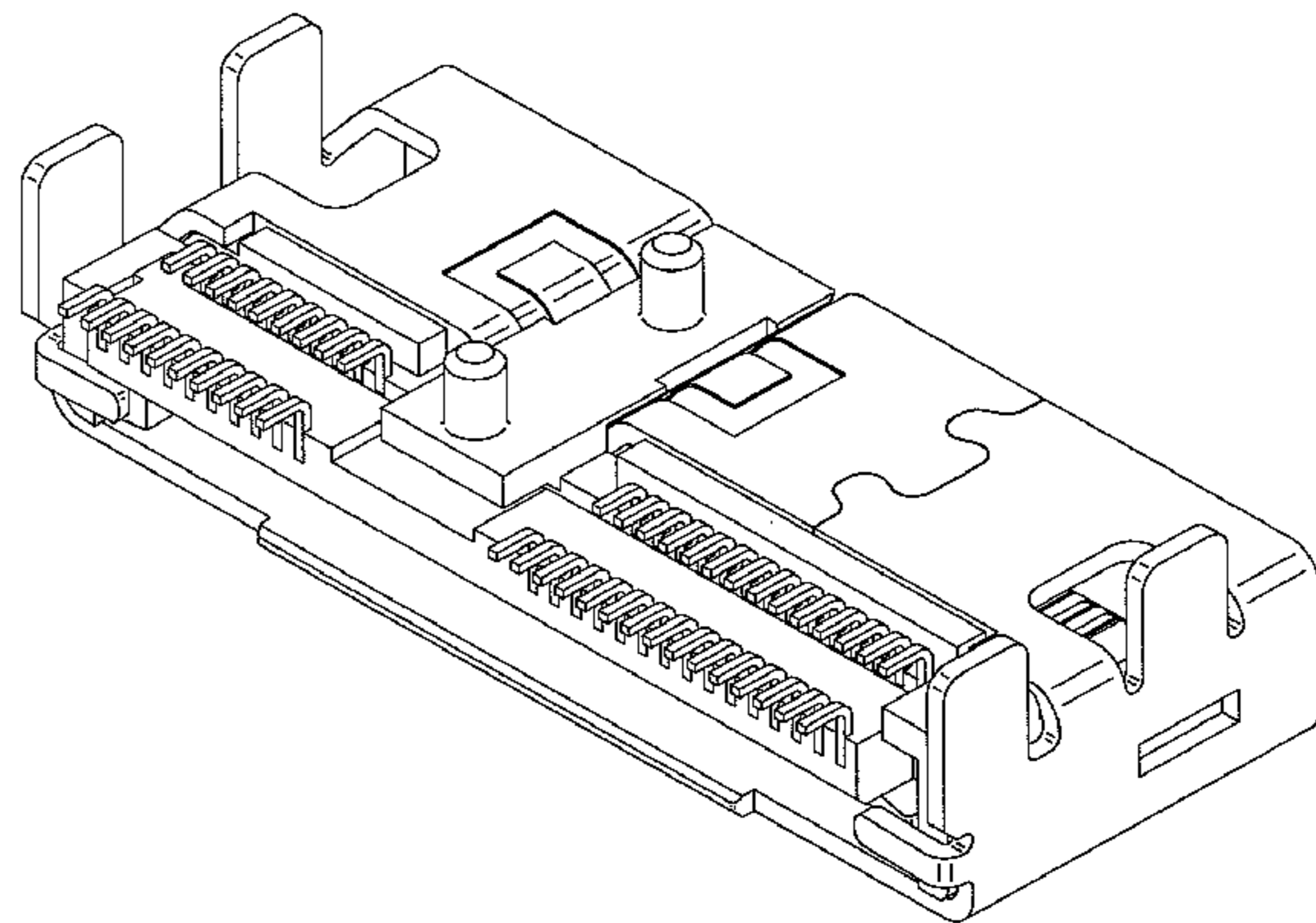
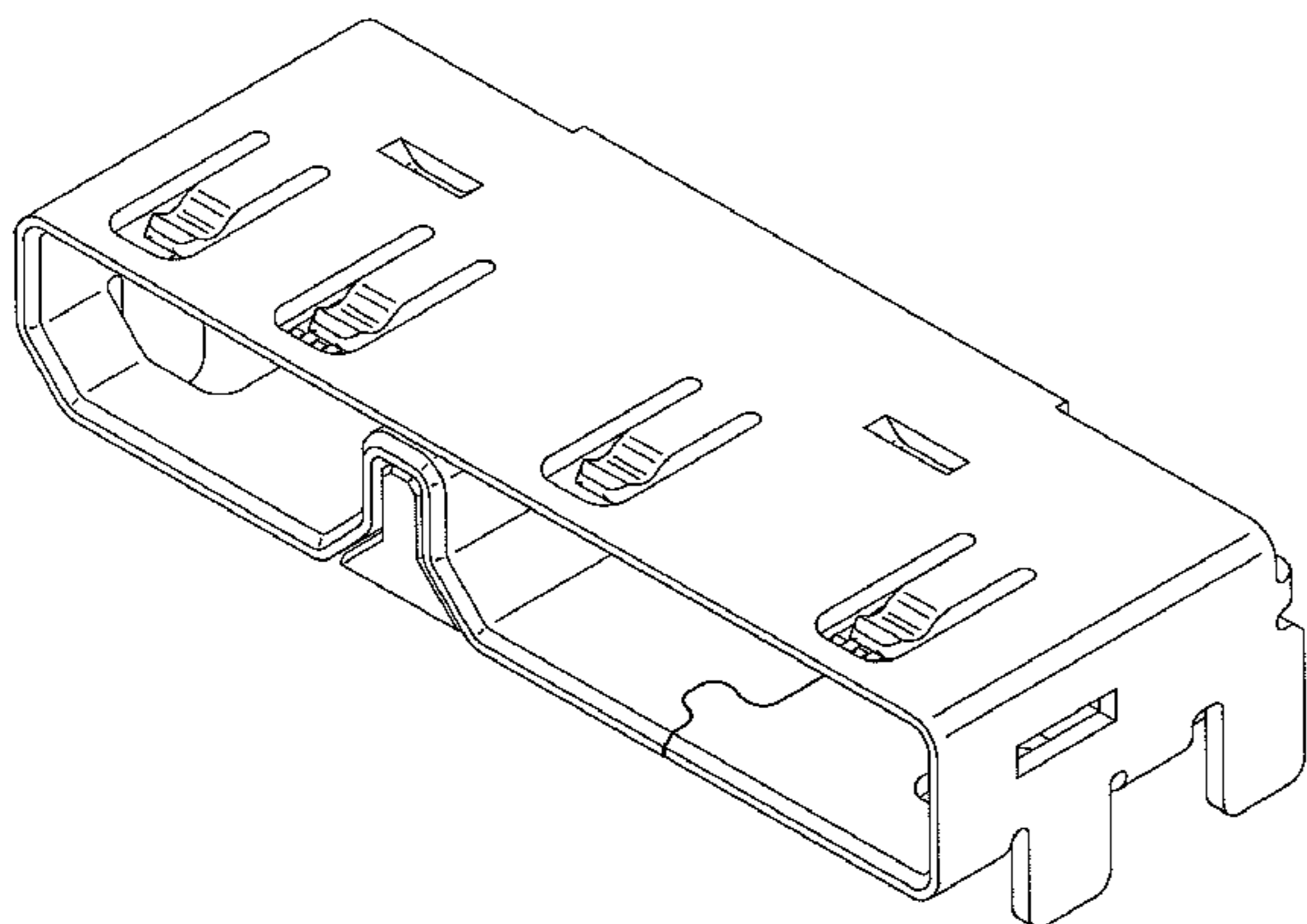


Fig. 1

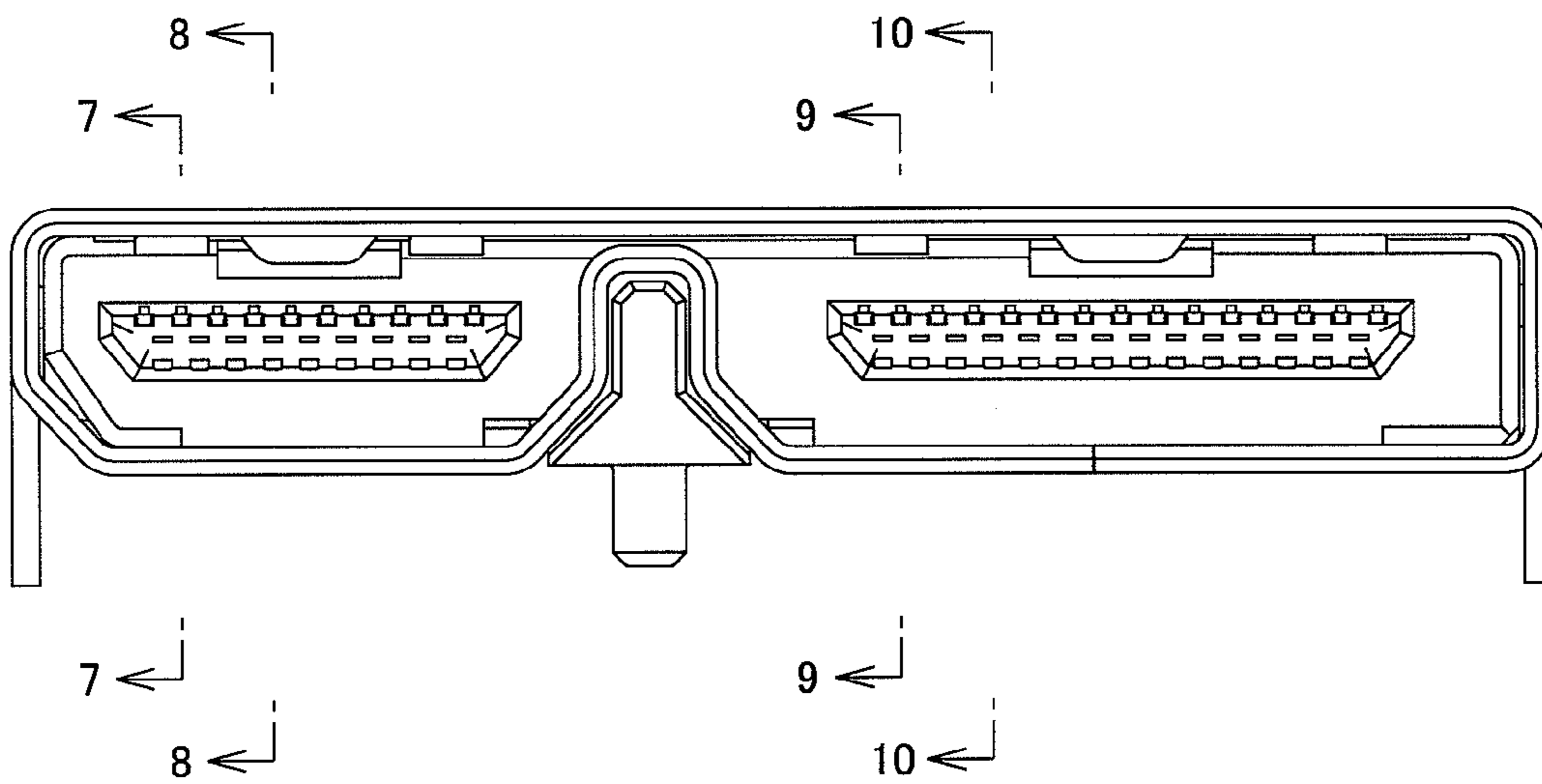


Fig. 2

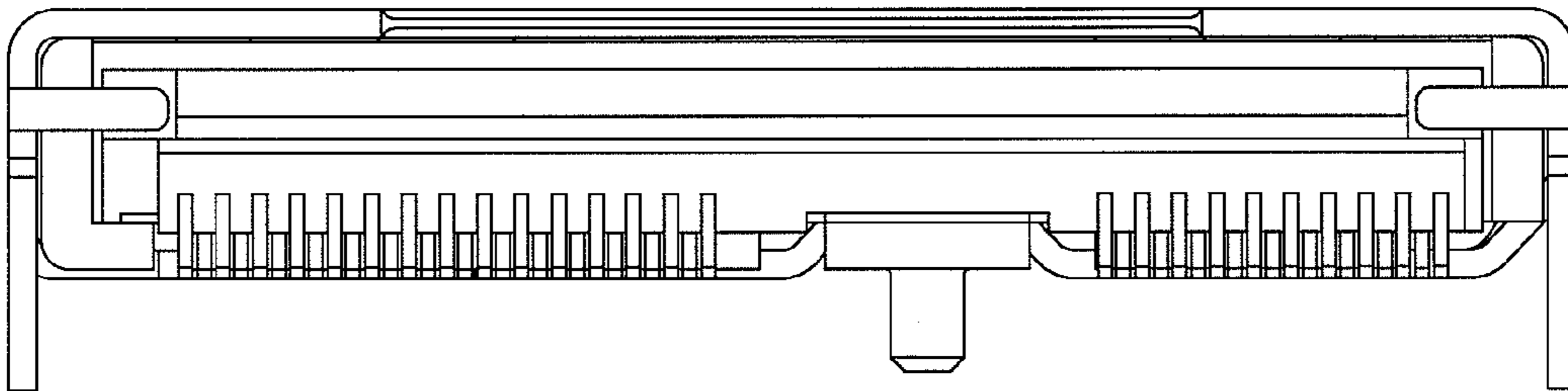


Fig. 3

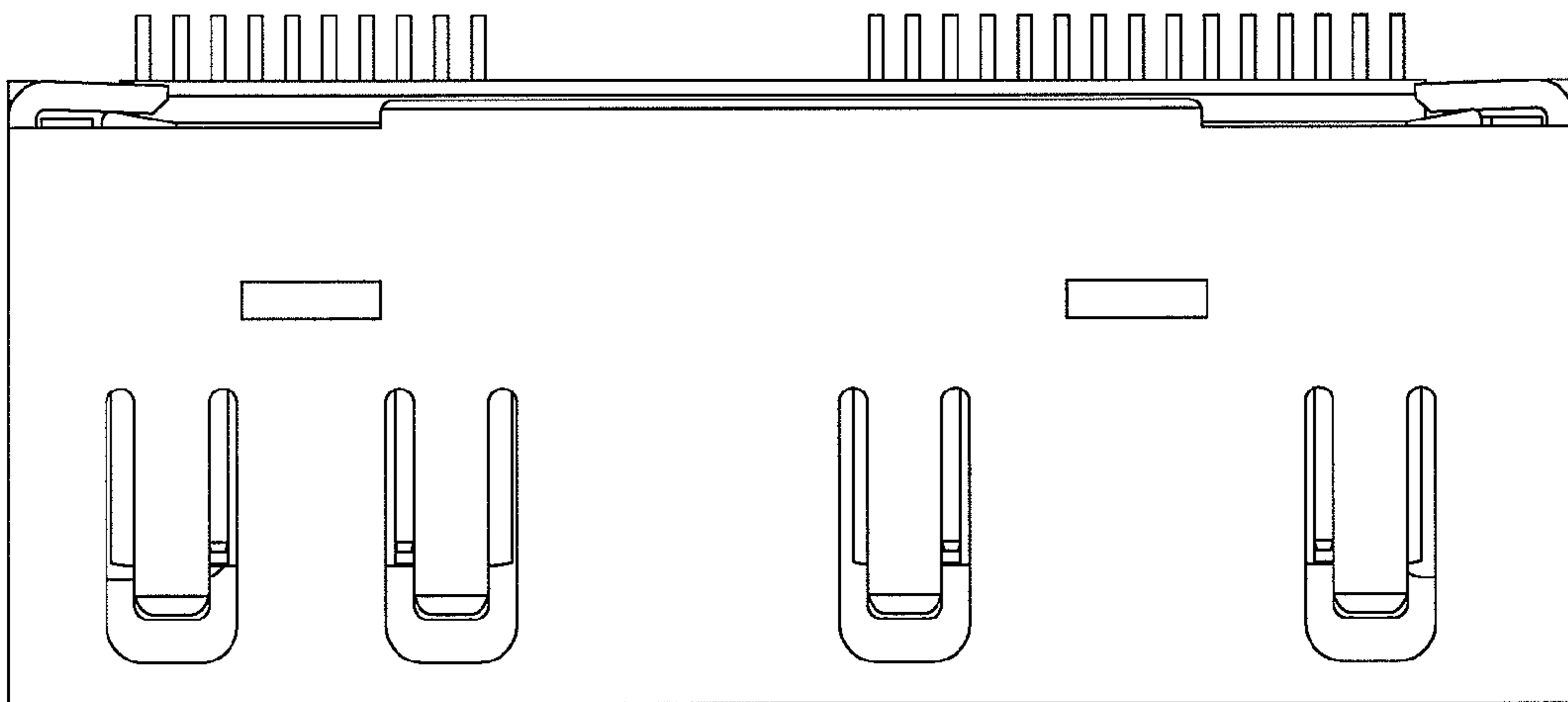


Fig. 4

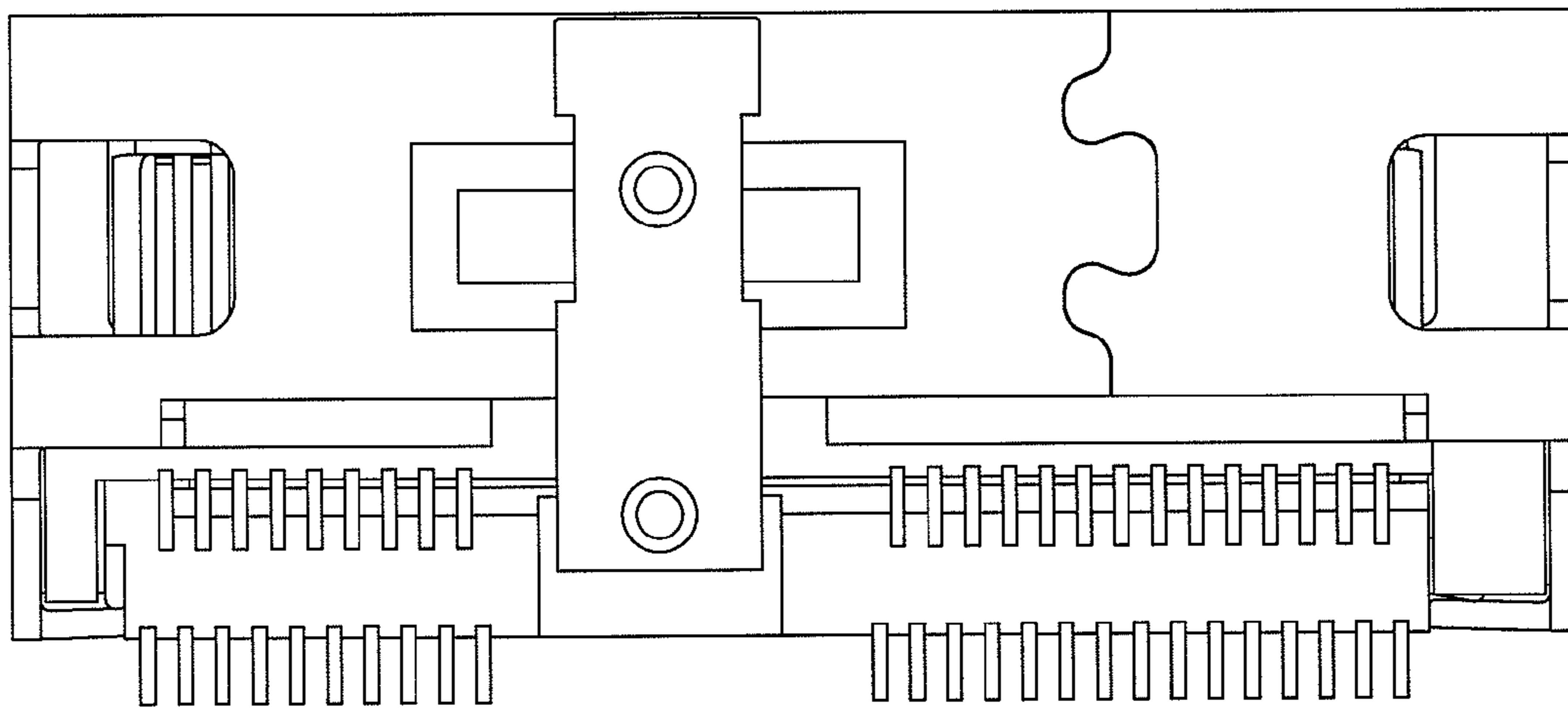


Fig. 5

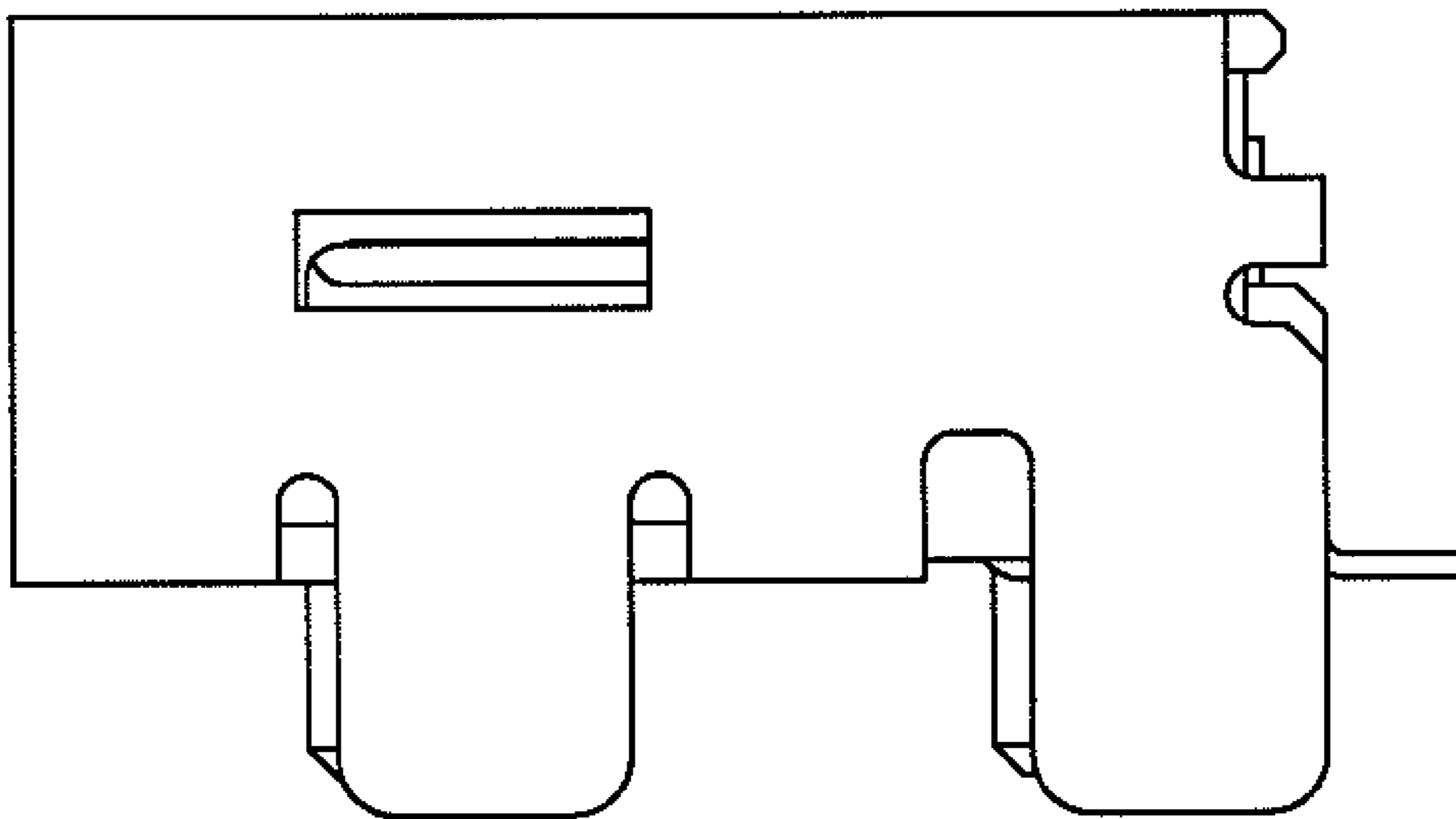


Fig. 6

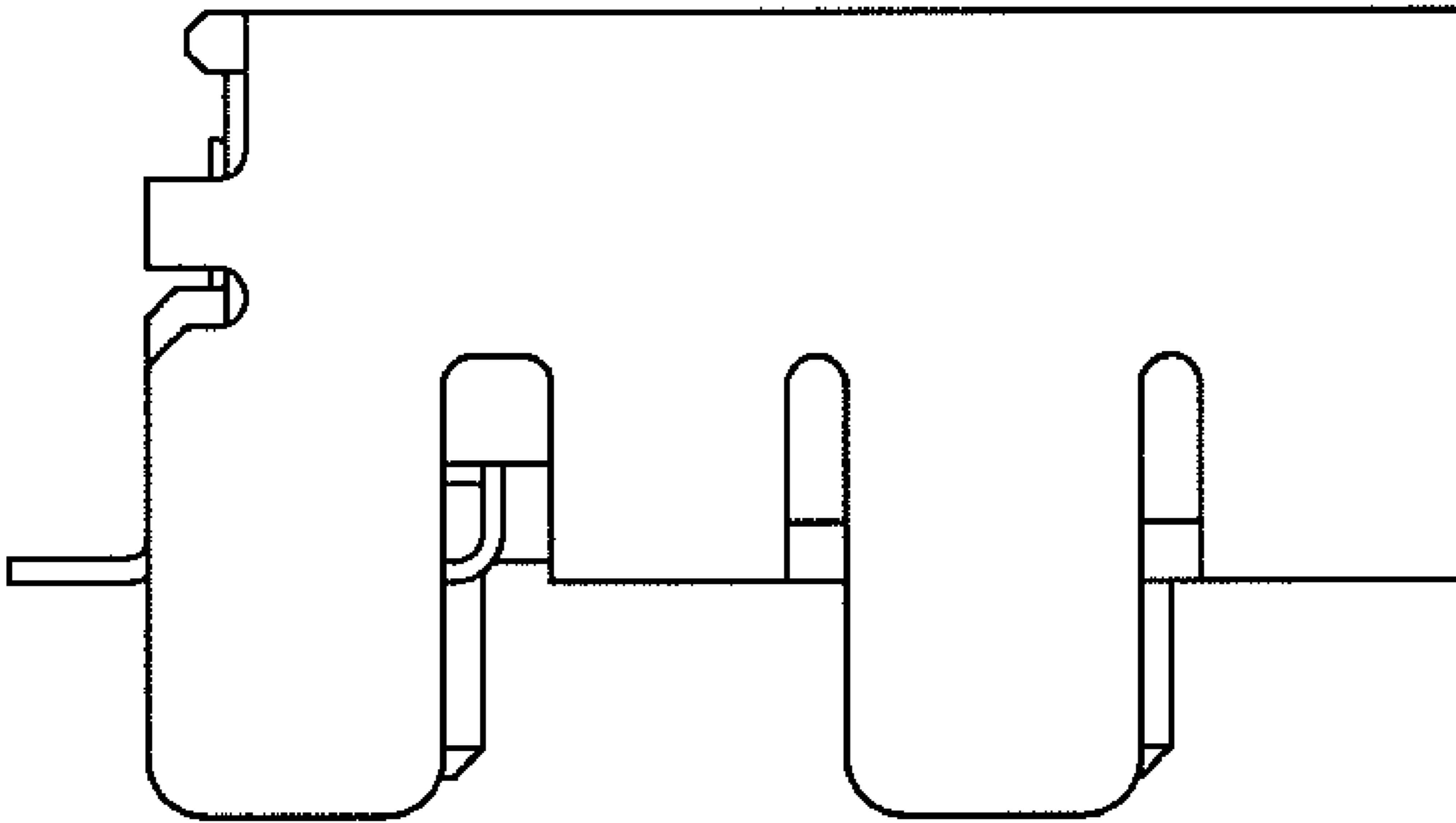


Fig. 7

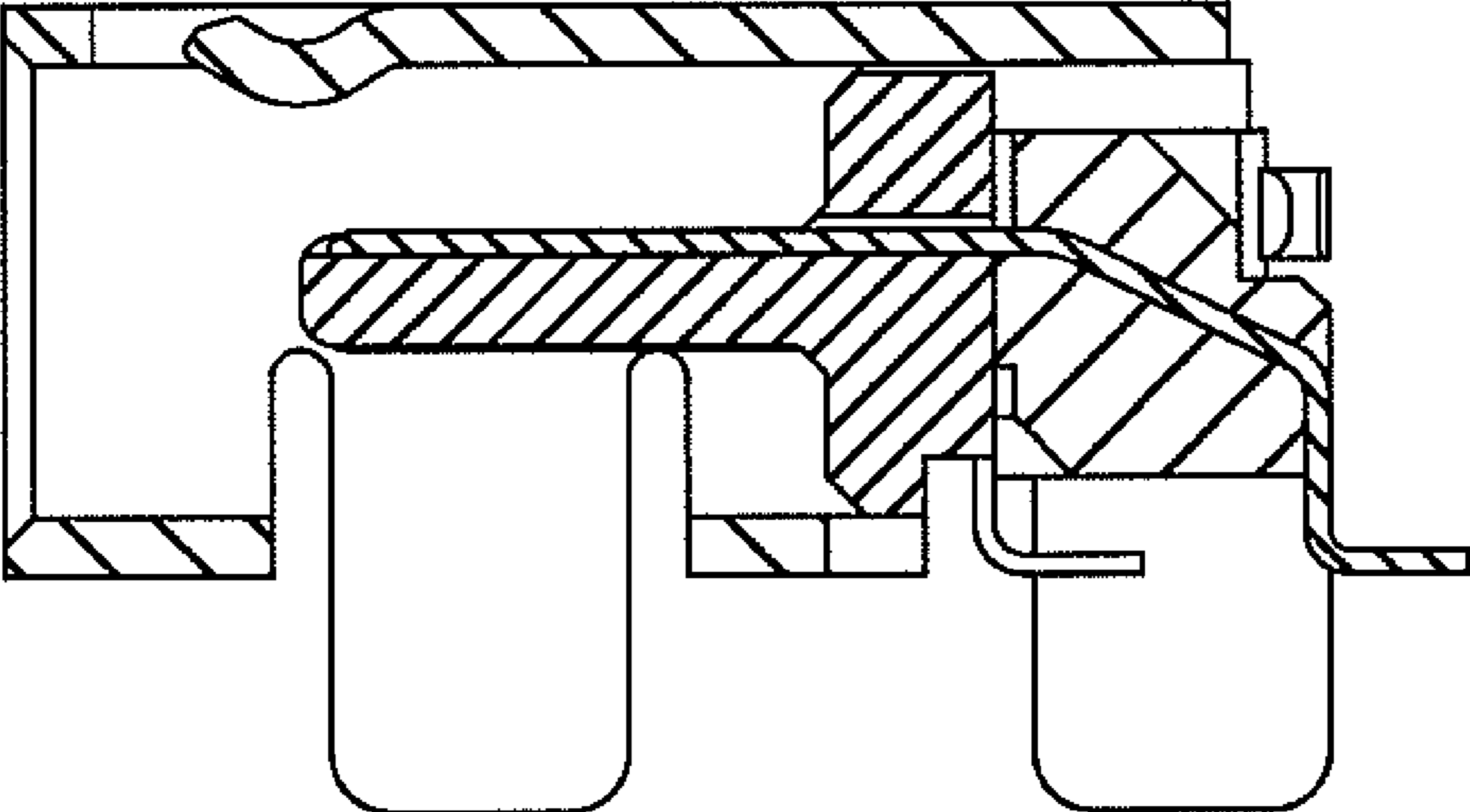


Fig. 8

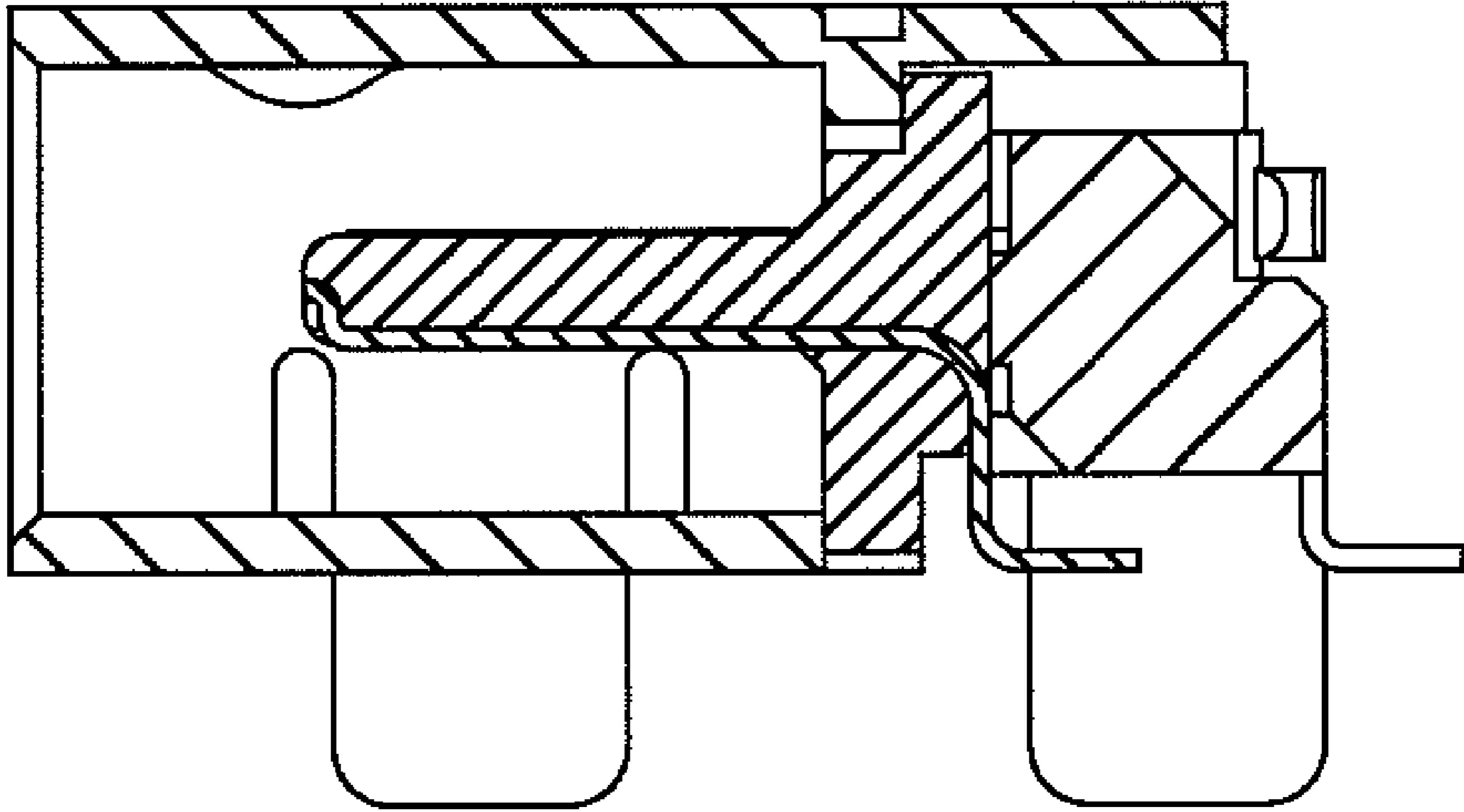


Fig. 9

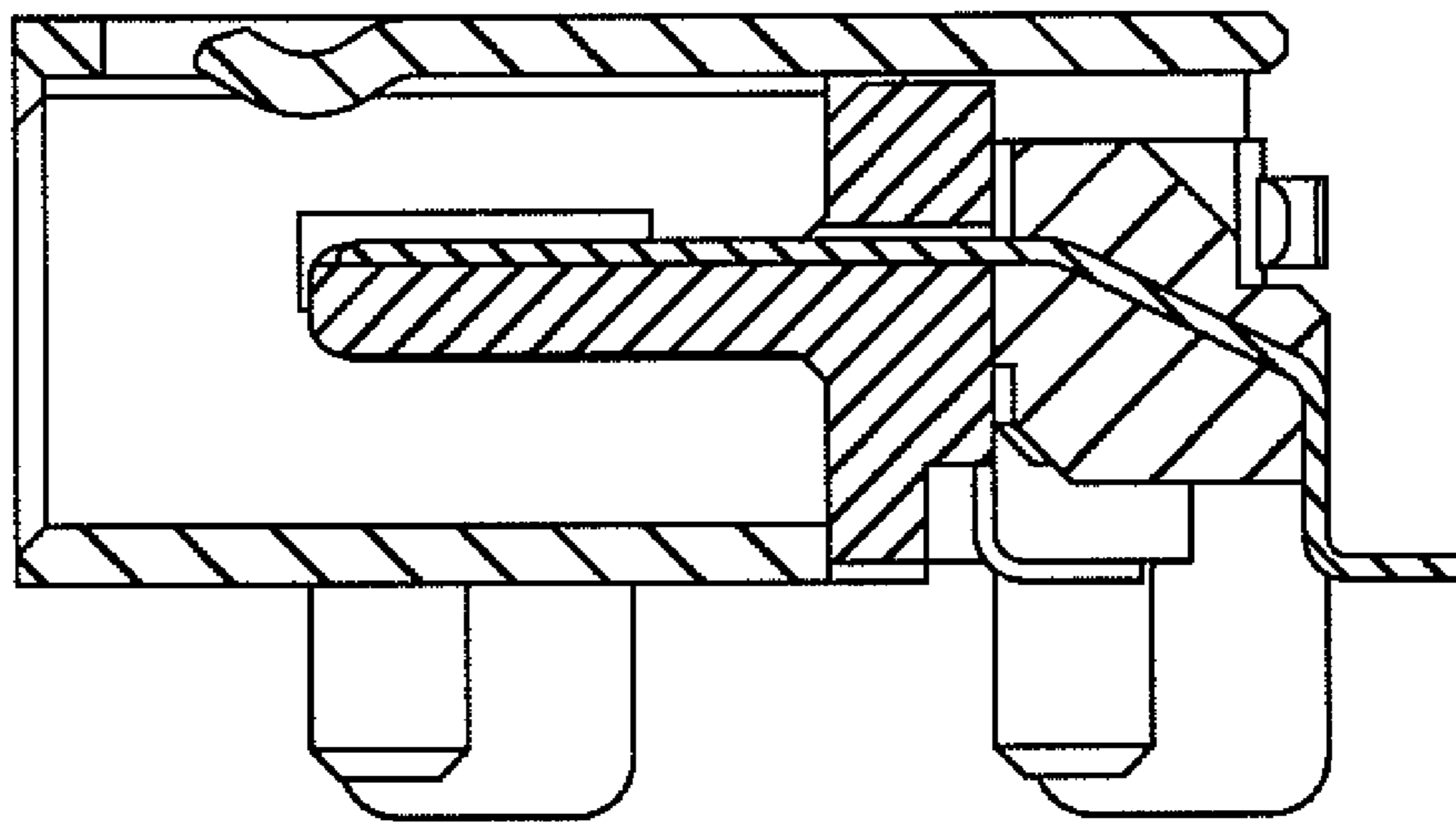


Fig. 10

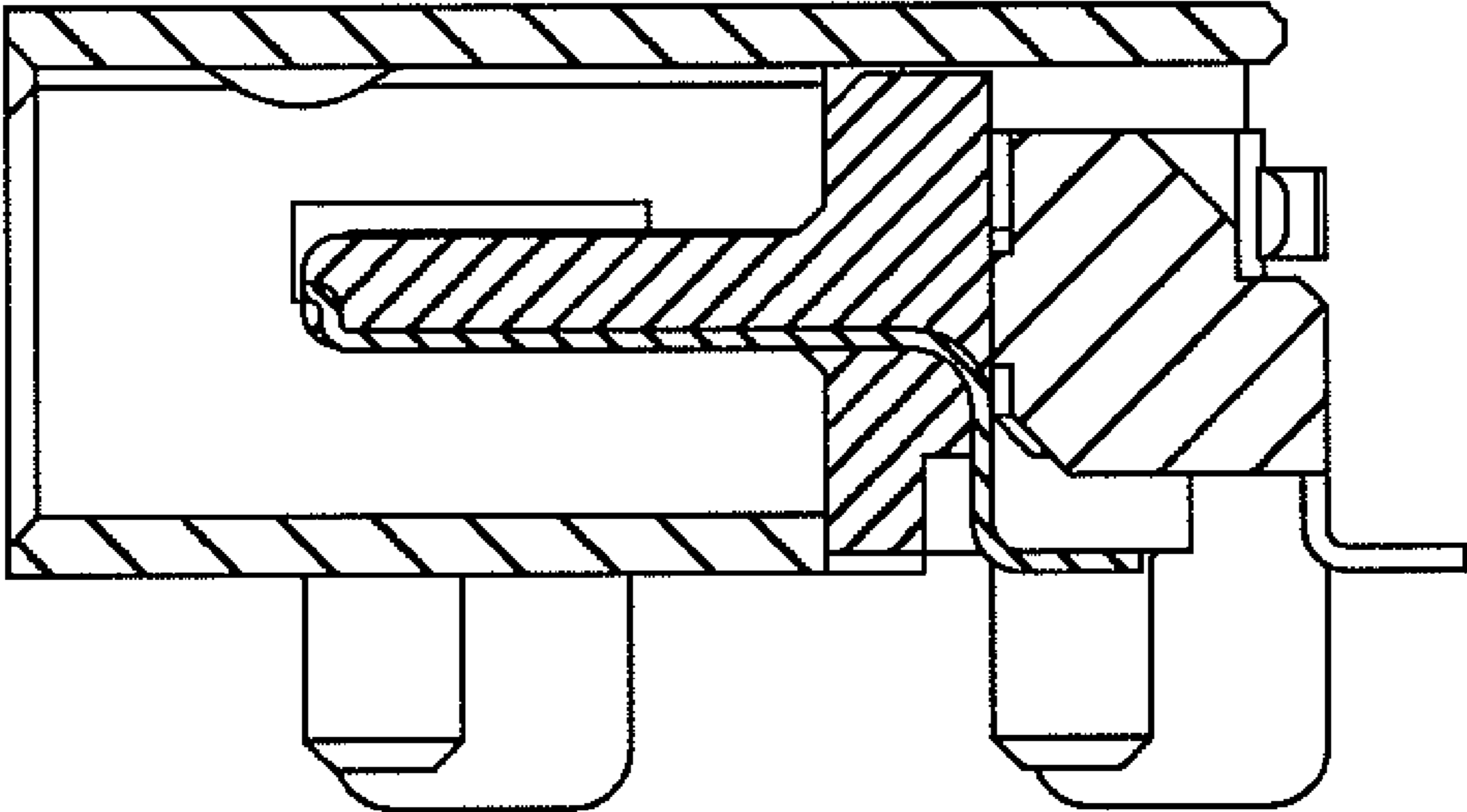


Fig. 11

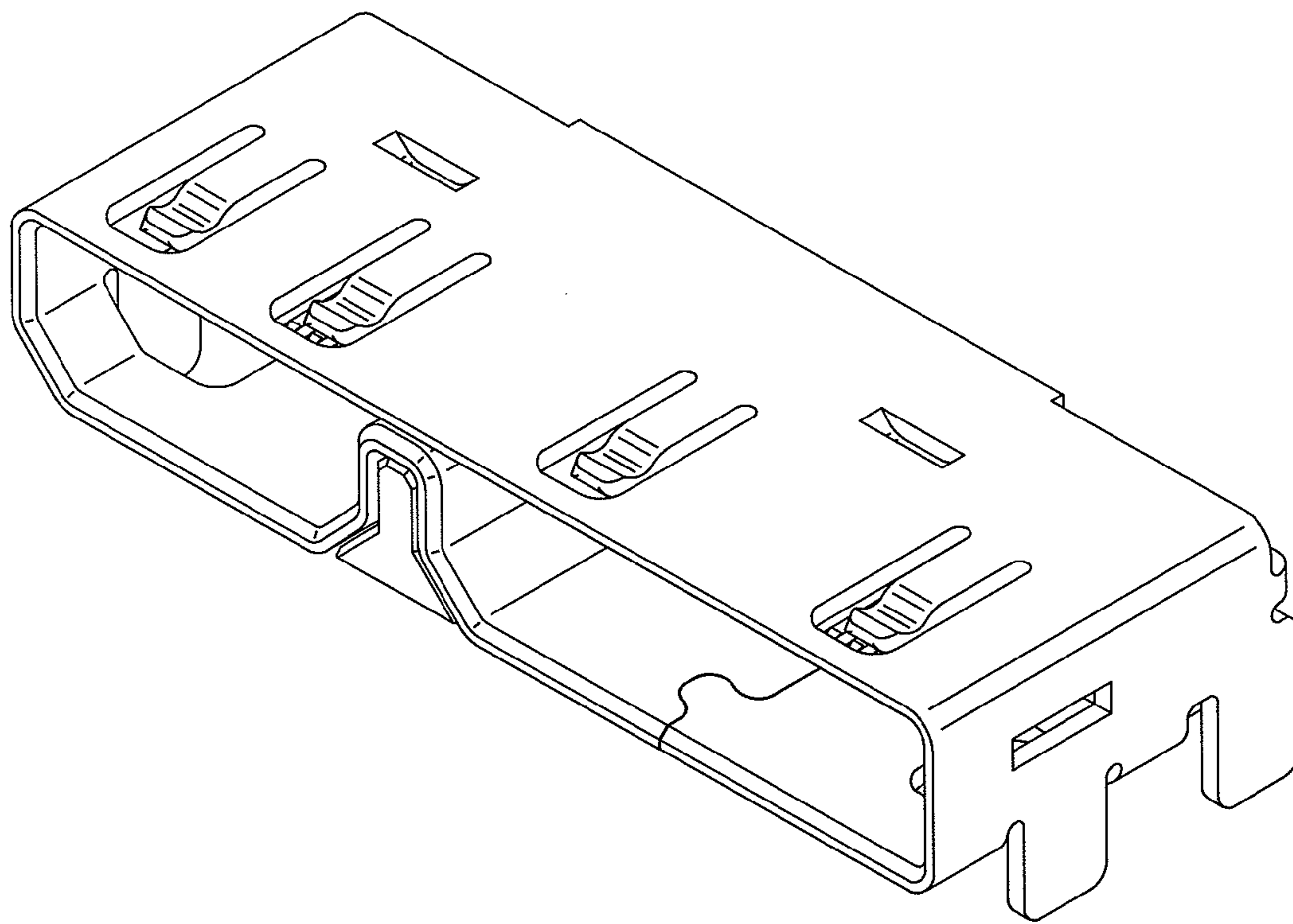


Fig. 12

