



US00D635925S

(12) **United States Design Patent**
Liu et al.

(10) **Patent No.:** **US D635,925 S**

(45) **Date of Patent:** **** Apr. 12, 2011**

(54) **RECEPTACLE CONNECTOR**

(75) Inventors: **Zhen Liu**, Guang-Dong (CN);
Wei-Hong Liao, Guang-Dong (CN);
Ming-Chiang Chen, Tu-Cheng (TW)

(73) Assignee: **Cheng Uei Precision Industry Co., Ltd.**, Tu-Cheng, Taipei Hsien (TW)

(**) Term: **14 Years**

(21) Appl. No.: **29/364,687**

(22) Filed: **Jun. 26, 2010**

(51) **LOC (9) Cl.** **13-03**

(52) **U.S. Cl.** **D13/147**

(58) **Field of Classification Search** D13/147,
D13/154, 184; 439/108, 476.1, 483, 527,
439/533, 607.01, 607.04, 607.05, 607.17,
439/607.25, 607.34, 607.41, 607.53, 892,
439/894

See application file for complete search history.

(56) **References Cited**

U.S. PATENT DOCUMENTS

D618,622 S * 6/2010 Chiang et al. D13/147
D618,624 S * 6/2010 Chiang D13/147

D620,445 S * 7/2010 Yang et al. D13/147
D624,505 S * 9/2010 Chiang D13/147

* cited by examiner

Primary Examiner — Daniel D Bui

(74) *Attorney, Agent, or Firm* — Cheng-Ju Chiang

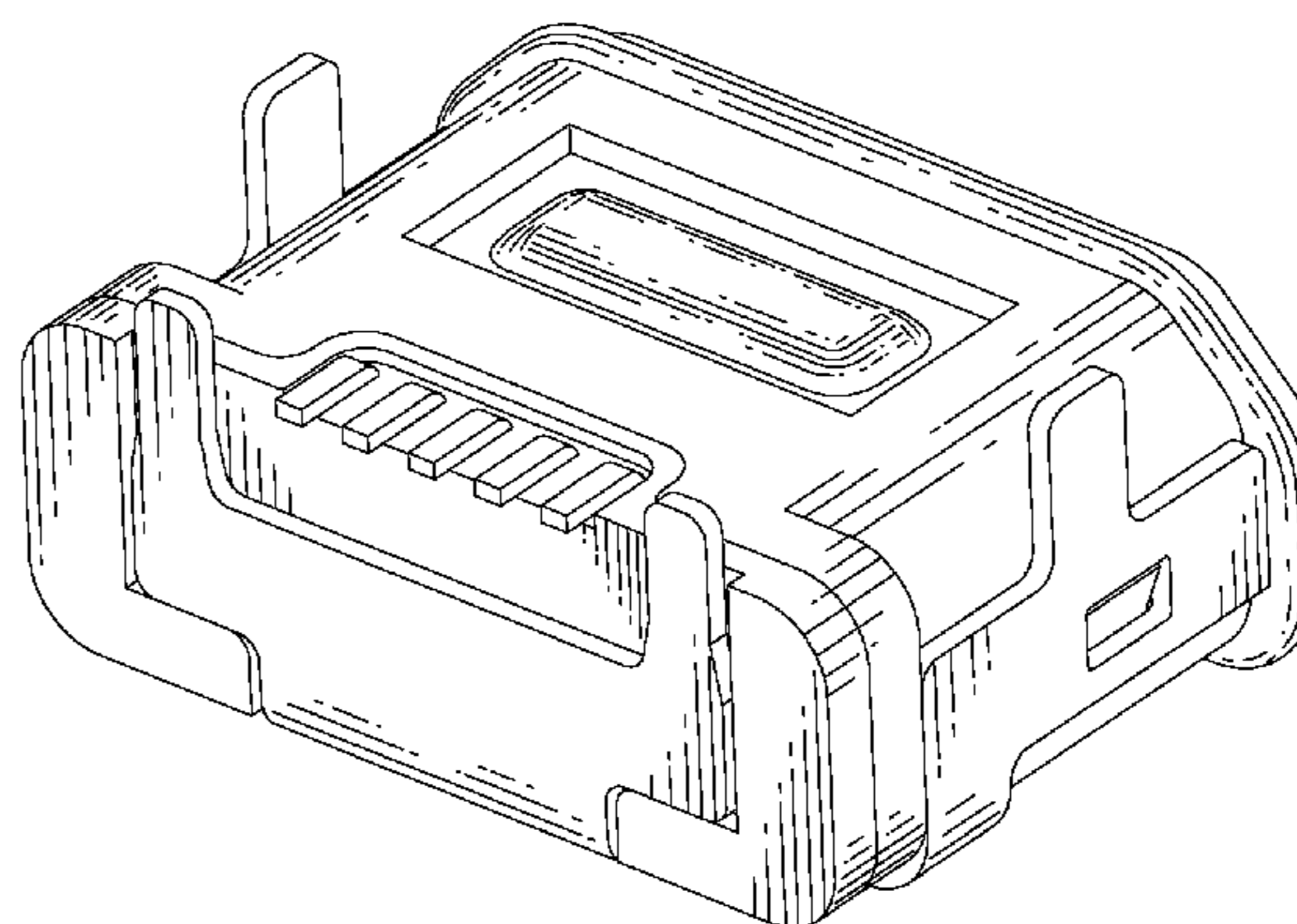
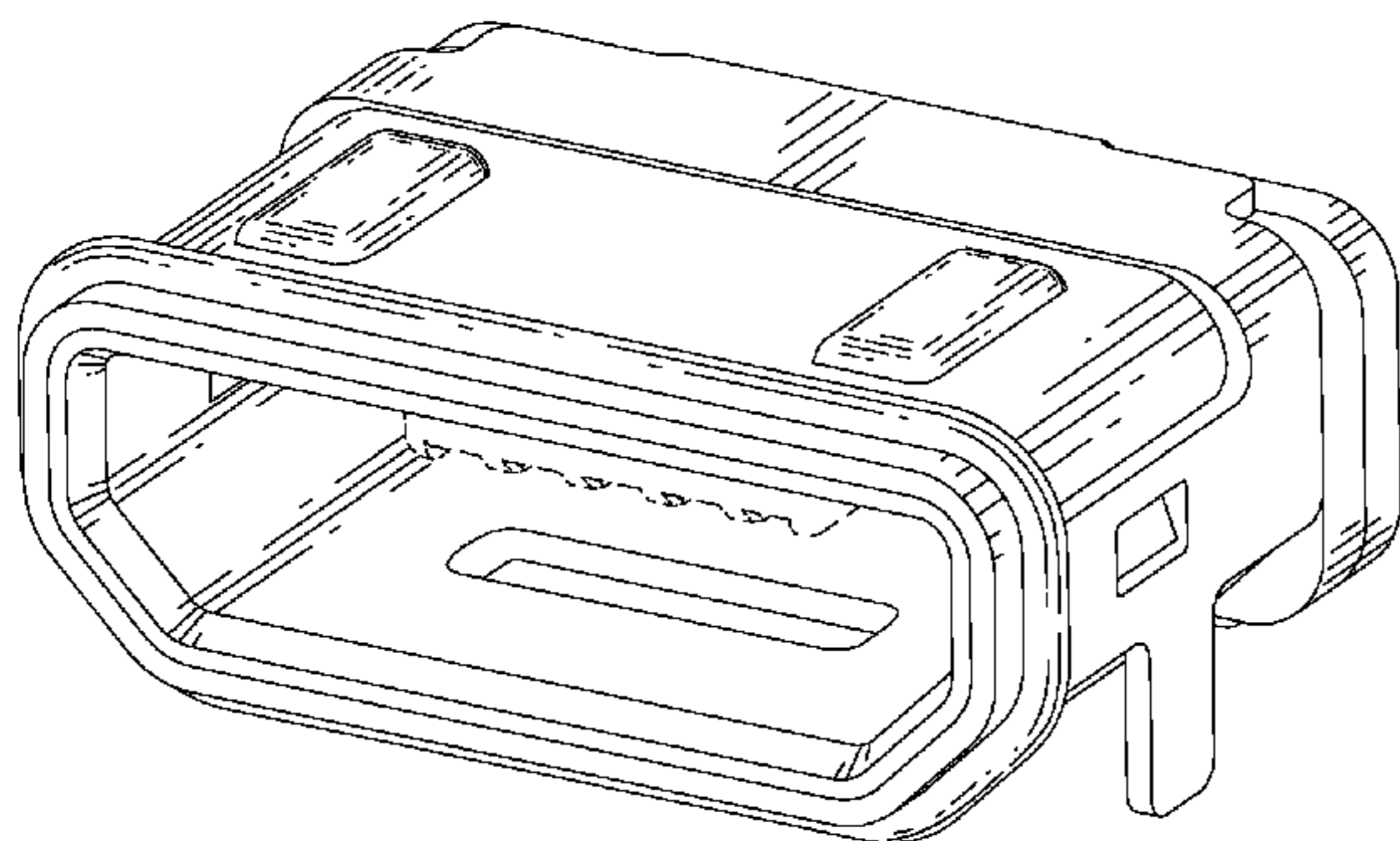
(57) **CLAIM**

The ornamental design for a receptacle connector, as shown and described.

DESCRIPTION

FIG. 1 is a perspective view of a receptacle connector showing our new design;
FIG. 2 is a front elevational view thereof;
FIG. 3 is a rear elevational view thereof;
FIG. 4 is a left side elevational view thereof;
FIG. 5 is a right side elevational view thereof;
FIG. 6 is a top plan view thereof;
FIG. 7 is a bottom plan view thereof; and,
FIG. 8 is another perspective view of a receptacle connector showing our new design.
The broken line portion of the figure drawings is included to show unclaimed subject matter only and forms no part of the claimed design.

1 Claim, 8 Drawing Sheets



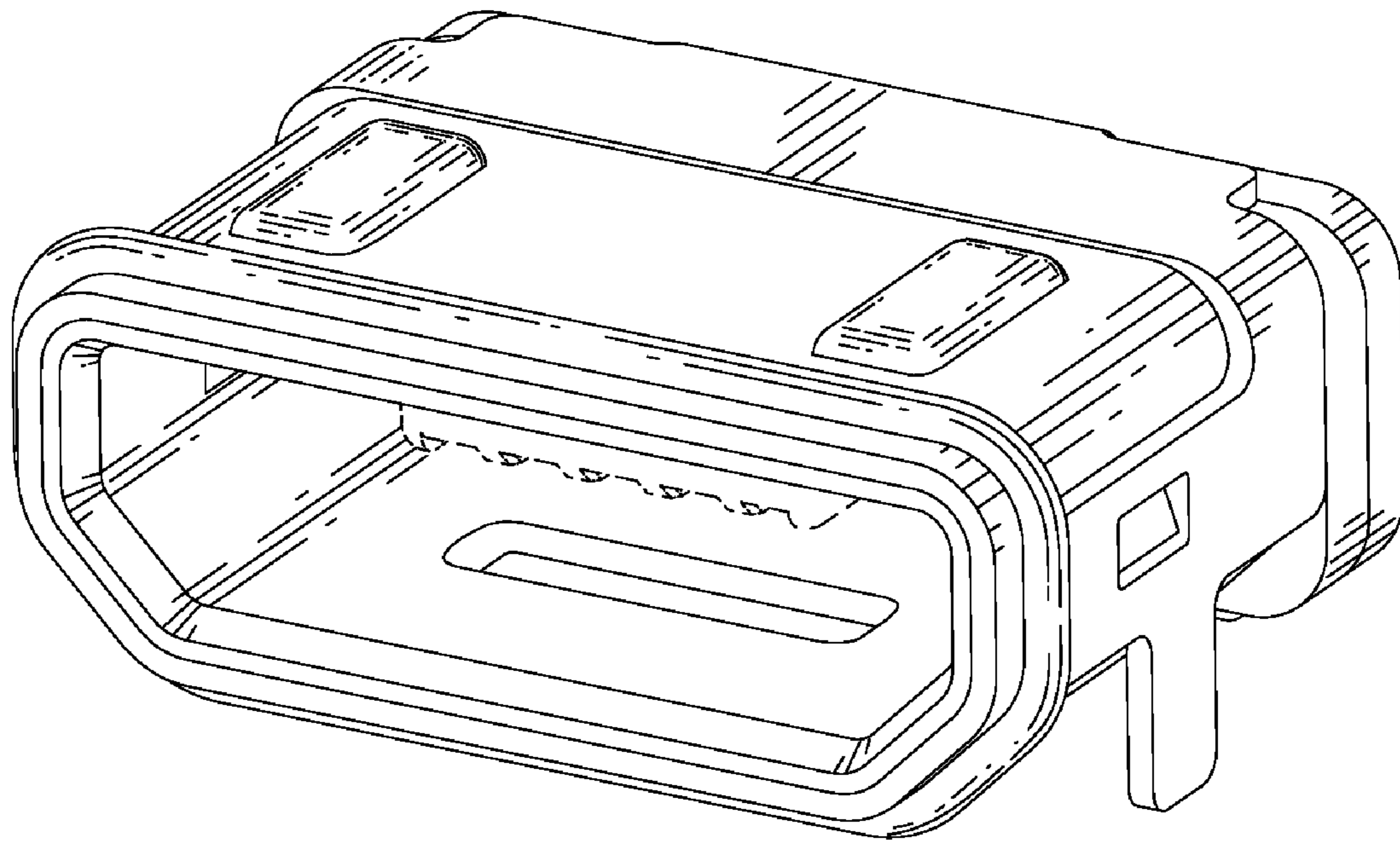


FIG. 1

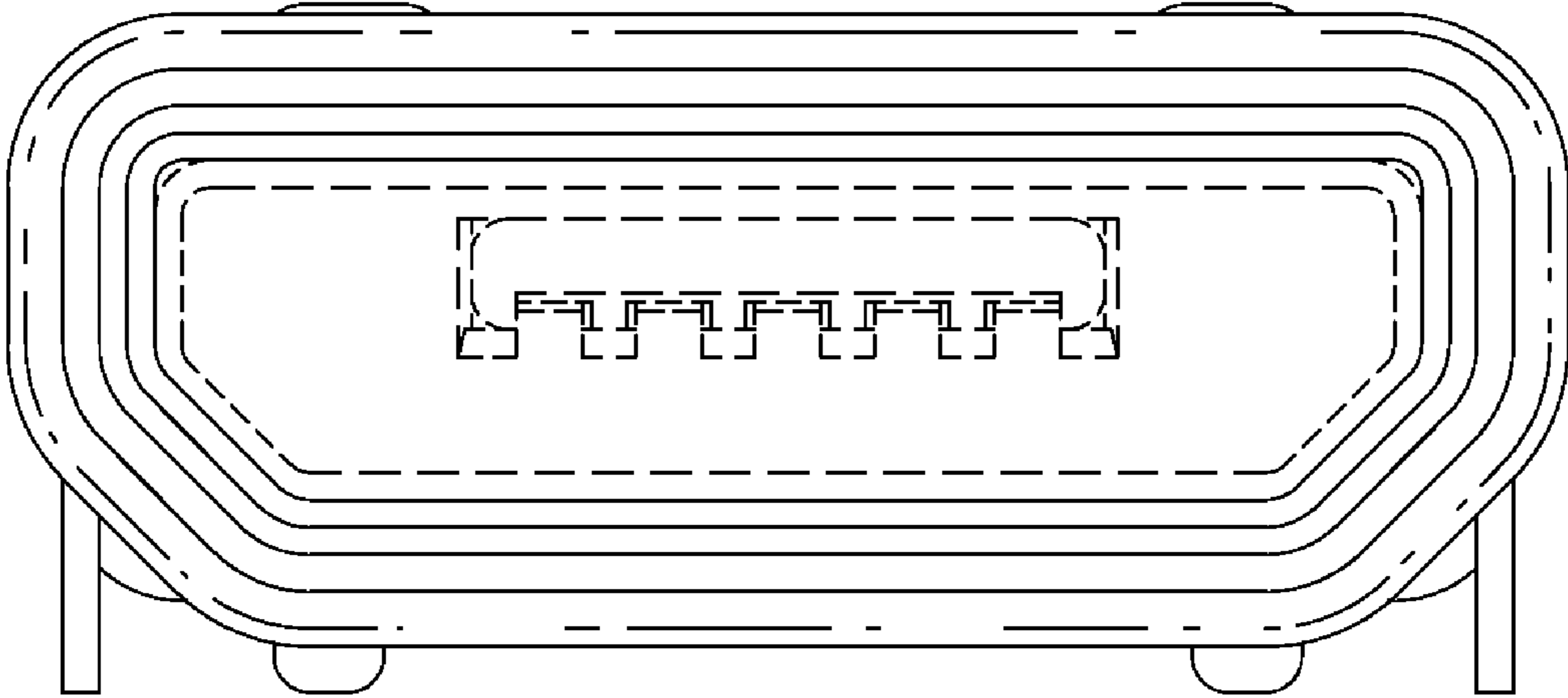


FIG. 2

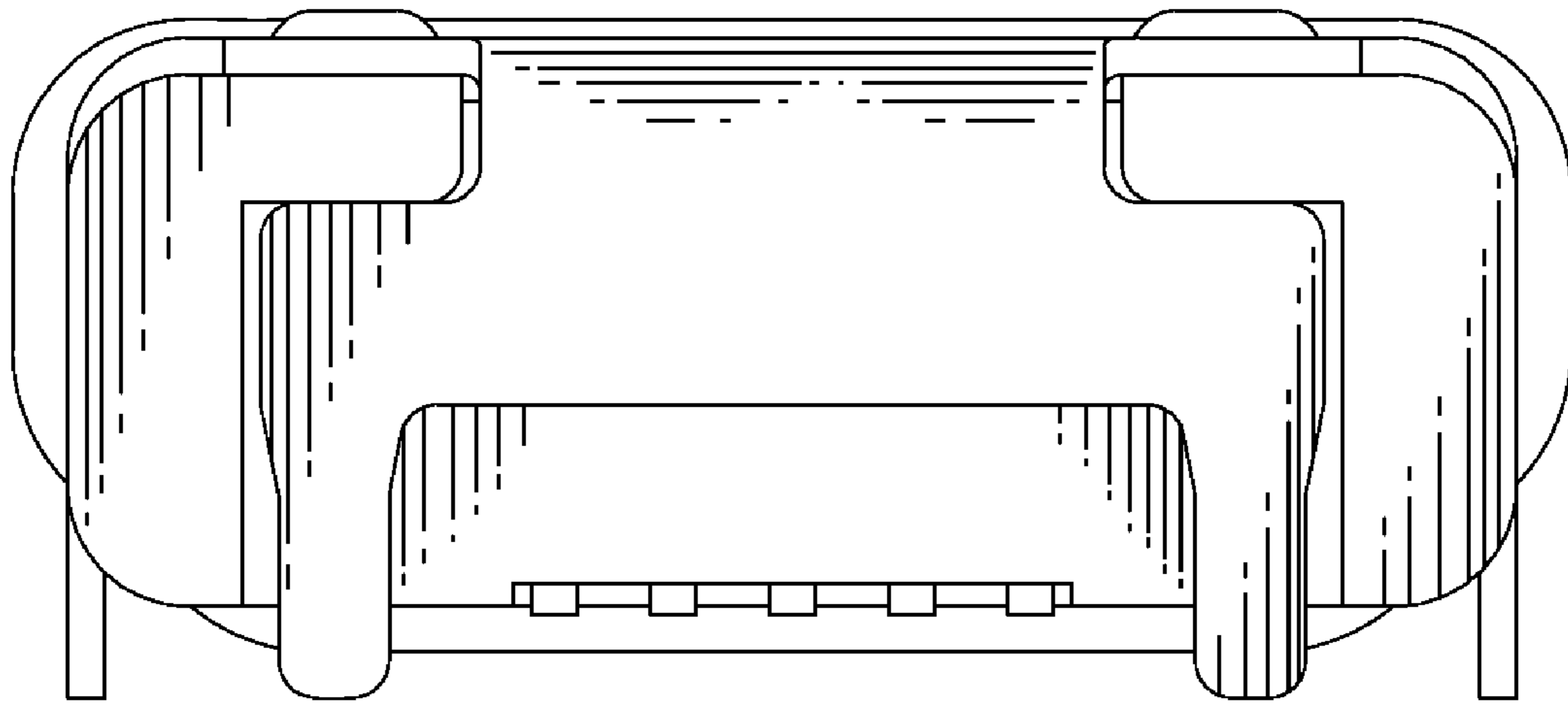


FIG. 3

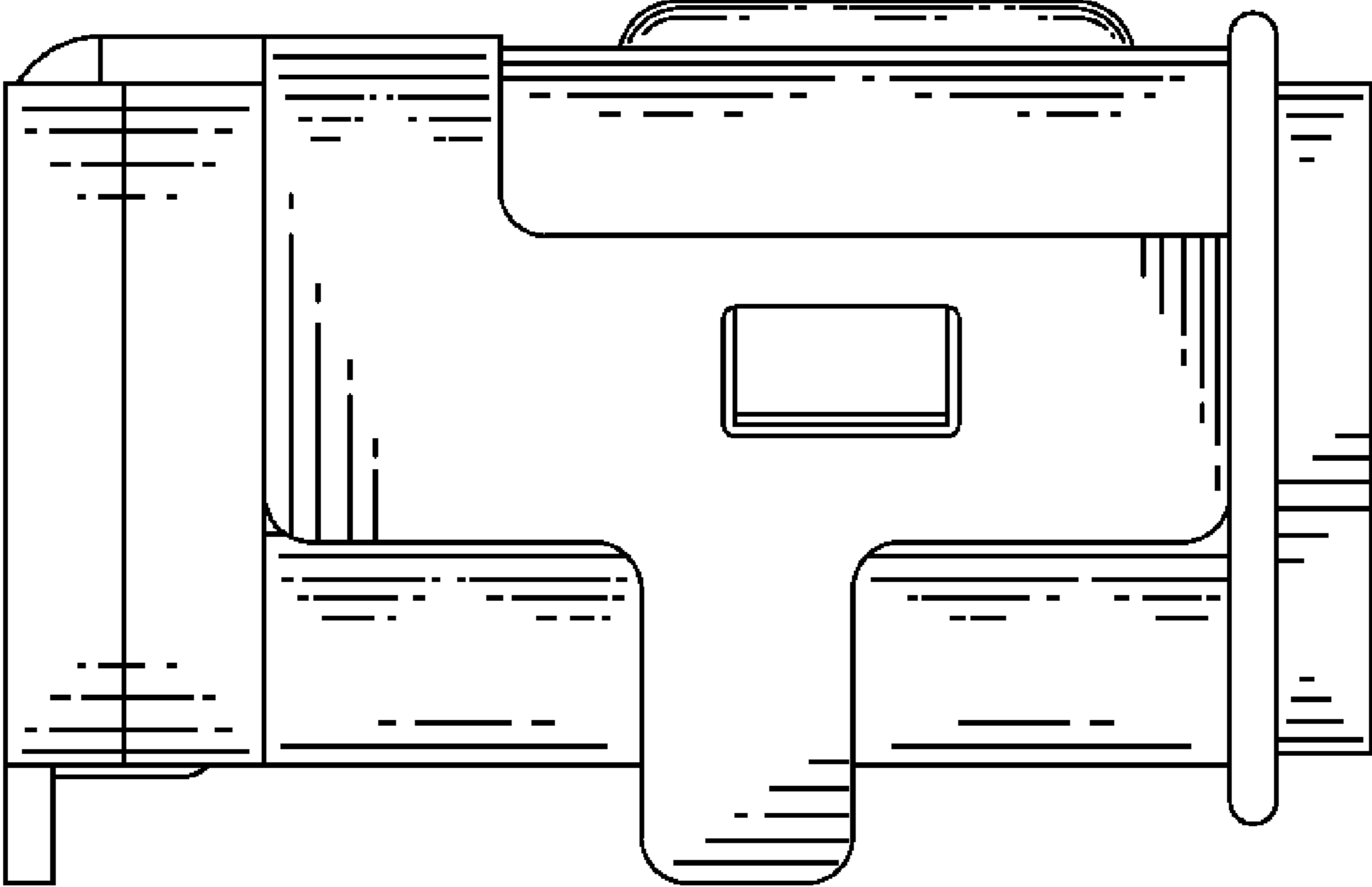


FIG. 4

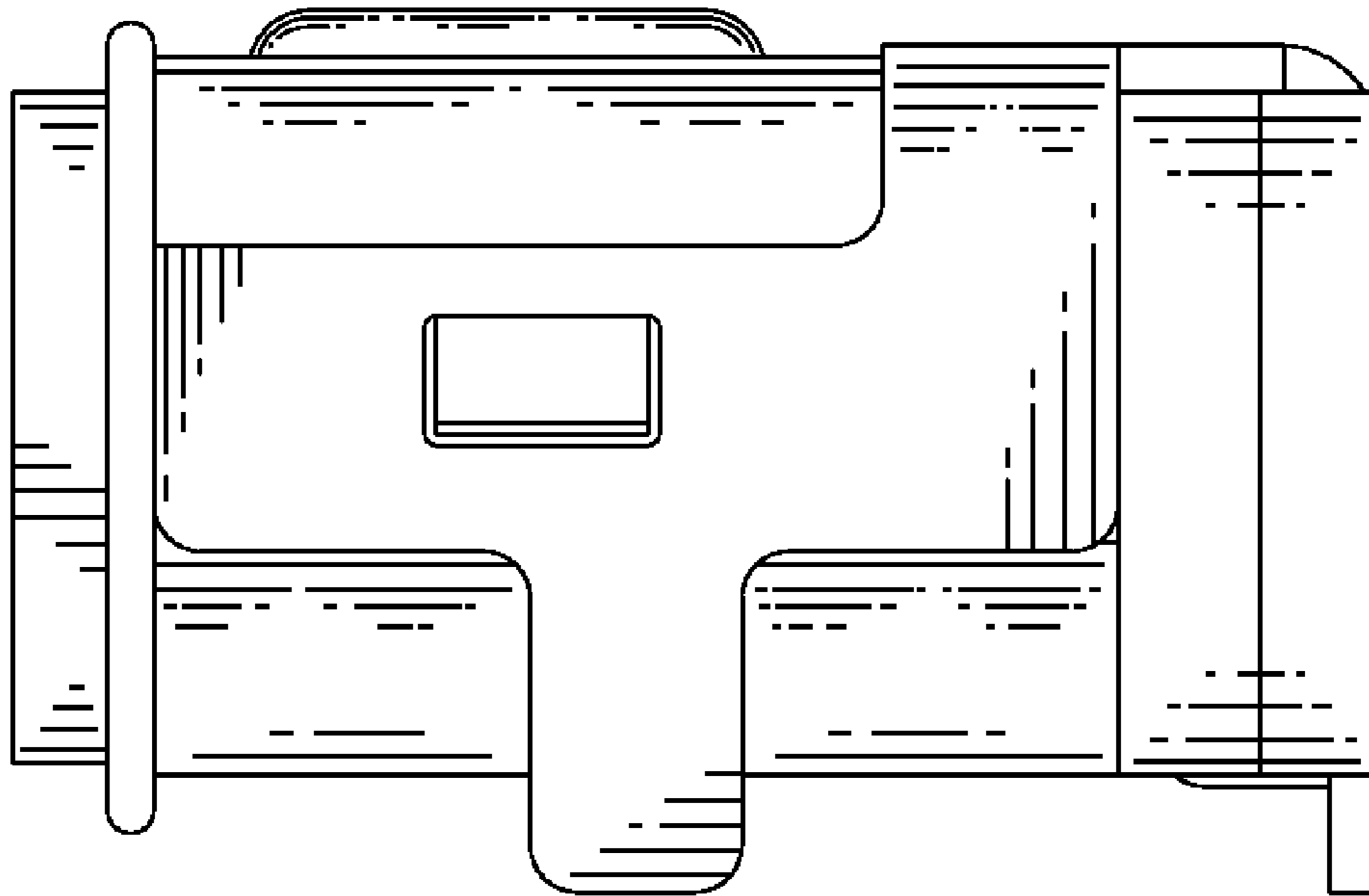


FIG. 5

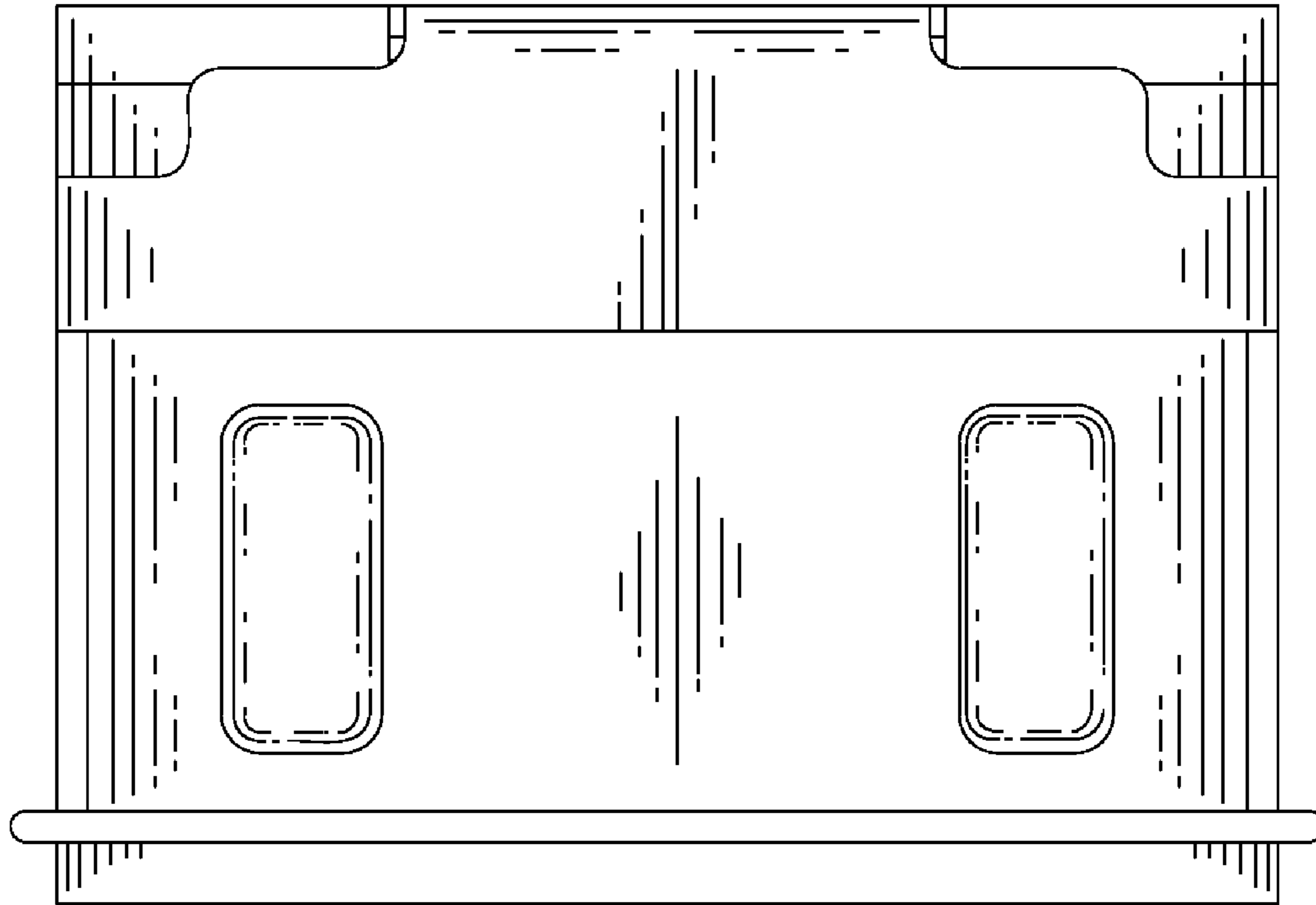


FIG. 6

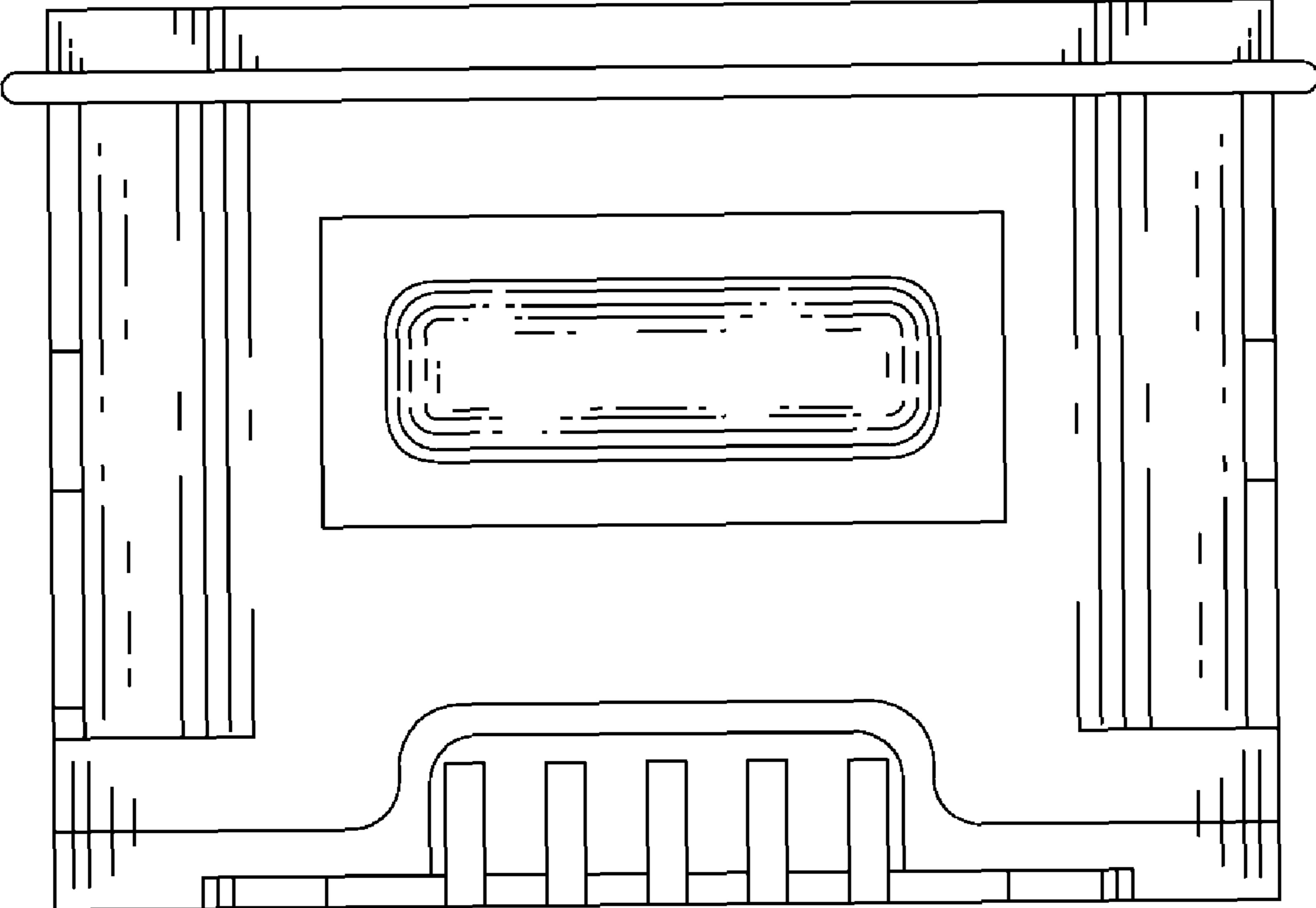


FIG. 7

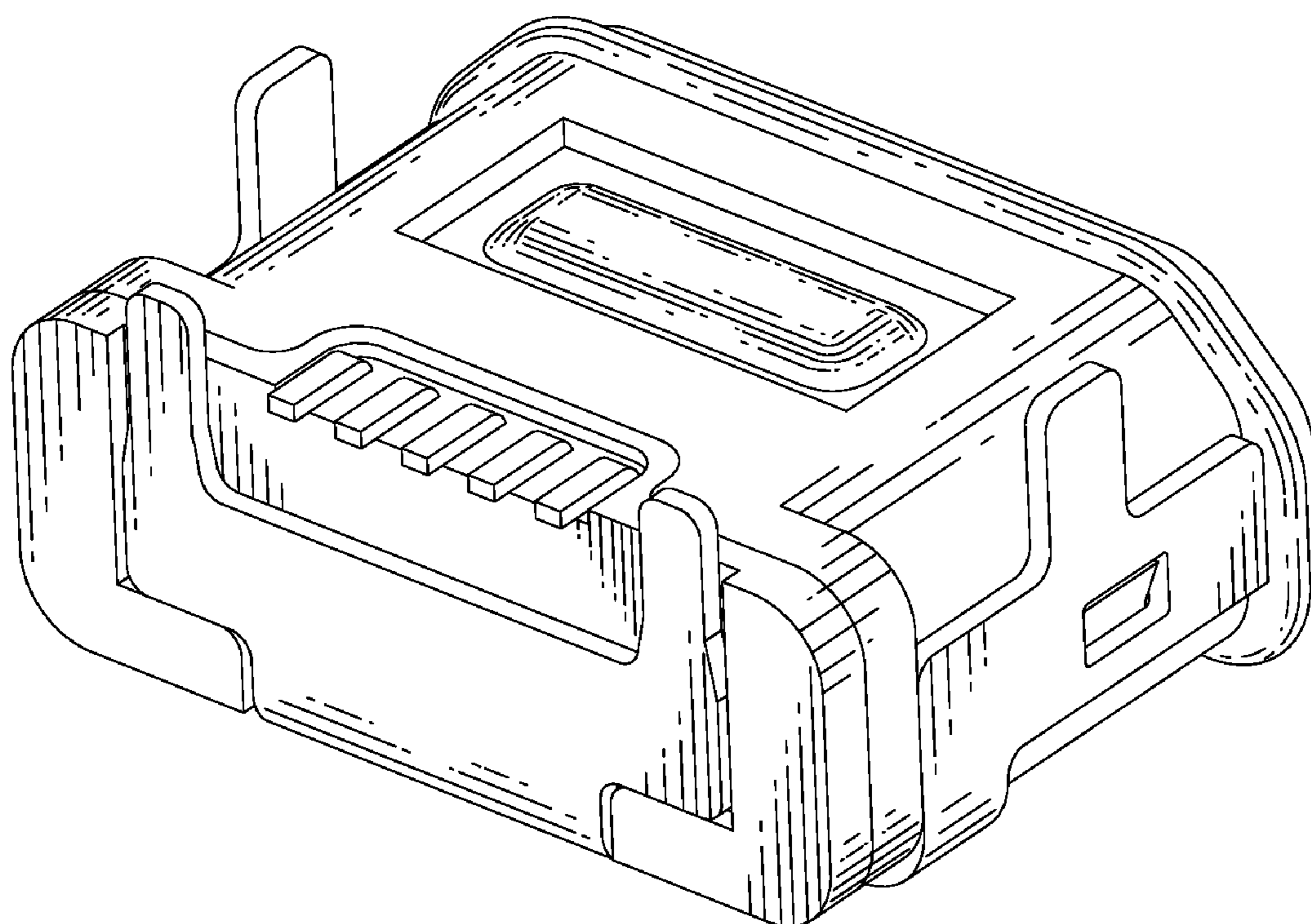


FIG. 8