



US00D635924S

(12) **United States Design Patent**
Schrader

(10) **Patent No.:** **US D635,924 S**
(45) **Date of Patent:** **** Apr. 12, 2011**

(54) **PCB POWER PLUG CONNECTOR
INCLUDING MALE AND FEMALE PARTS**

(75) Inventor: **Andreas Schrader**, Delbrueck (DE)

(73) Assignee: **Phoenix Contact GmbH & Co. KG**,
Blomberg (DE)

(**) Term: **14 Years**

(21) Appl. No.: **29/334,601**

(22) Filed: **Mar. 30, 2009**

(30) **Foreign Application Priority Data**

Sep. 30, 2008 (EM) 001011688-0001

Sep. 30, 2008 (EM) 001011688-0002

(51) **LOC (9) Cl.** **13-03**

(52) **U.S. Cl.** **D13/147**

(58) **Field of Classification Search** D13/146,
D13/147, 154, 156, 184; 439/345, 350, 353,
439/354, 355, 357, 358, 586, 587, 595, 596,
439/597, 598, 600, 682, 752
See application file for complete search history.

(56) **References Cited**

U.S. PATENT DOCUMENTS

D317,899 S * 7/1991 Takenouchi et al. D13/133
D320,000 S * 9/1991 Takenouchi et al. D13/146
D322,595 S * 12/1991 Takenouchi et al. D13/146
D322,956 S * 1/1992 Takenouchi et al. D13/146

(Continued)

Primary Examiner — Daniel D Bui

(74) *Attorney, Agent, or Firm* — Leydig, Voit & Mayer, Ltd.

(57) **CLAIM**

The ornamental design for a PCB power plug connector including male and female parts, as shown and described.

DESCRIPTION

FIG. 1 is a top, front, and left side perspective view of the PCB power plug connector including male and female parts, with the male part inserted in the female part, showing my new design;

FIG. 2 is a top, front, and left side perspective exploded view thereof, with the male part removed from the female part;

FIG. 3 is a top plan view thereof, with the male part inserted in the female part;

FIG. 4 is a bottom plan view thereof, with the male part inserted in the female part;

FIG. 5 is a right side elevational view thereof, with the male part inserted in the female part, the left side elevational view being a mirror image;

FIG. 6 is a rear elevational view thereof, with the male part inserted in the female part;

FIG. 7 is a front elevational view thereof, with the male part inserted in the female part;

FIG. 8 is a top, front, and left side perspective view of the male part thereof removed from the female part;

FIG. 9 is a top plan view of the male part thereof removed from the female part;

FIG. 10 is a bottom plan view of the male part thereof removed from the female part;

FIG. 11 is a right side elevational view of the male part thereof removed from the female part, the left side elevational view being a mirror image;

FIG. 12 is a rear elevational view of the male part thereof removed from the female part;

FIG. 13 is a front elevational view of the male part thereof removed from the female part;

FIG. 14 is a top, front, and left side perspective view of the female part thereof removed from the male part;

FIG. 15 is a bottom plan view of the female part thereof removed from the male part;

FIG. 16 is a top plan view of the female part thereof removed from the male part;

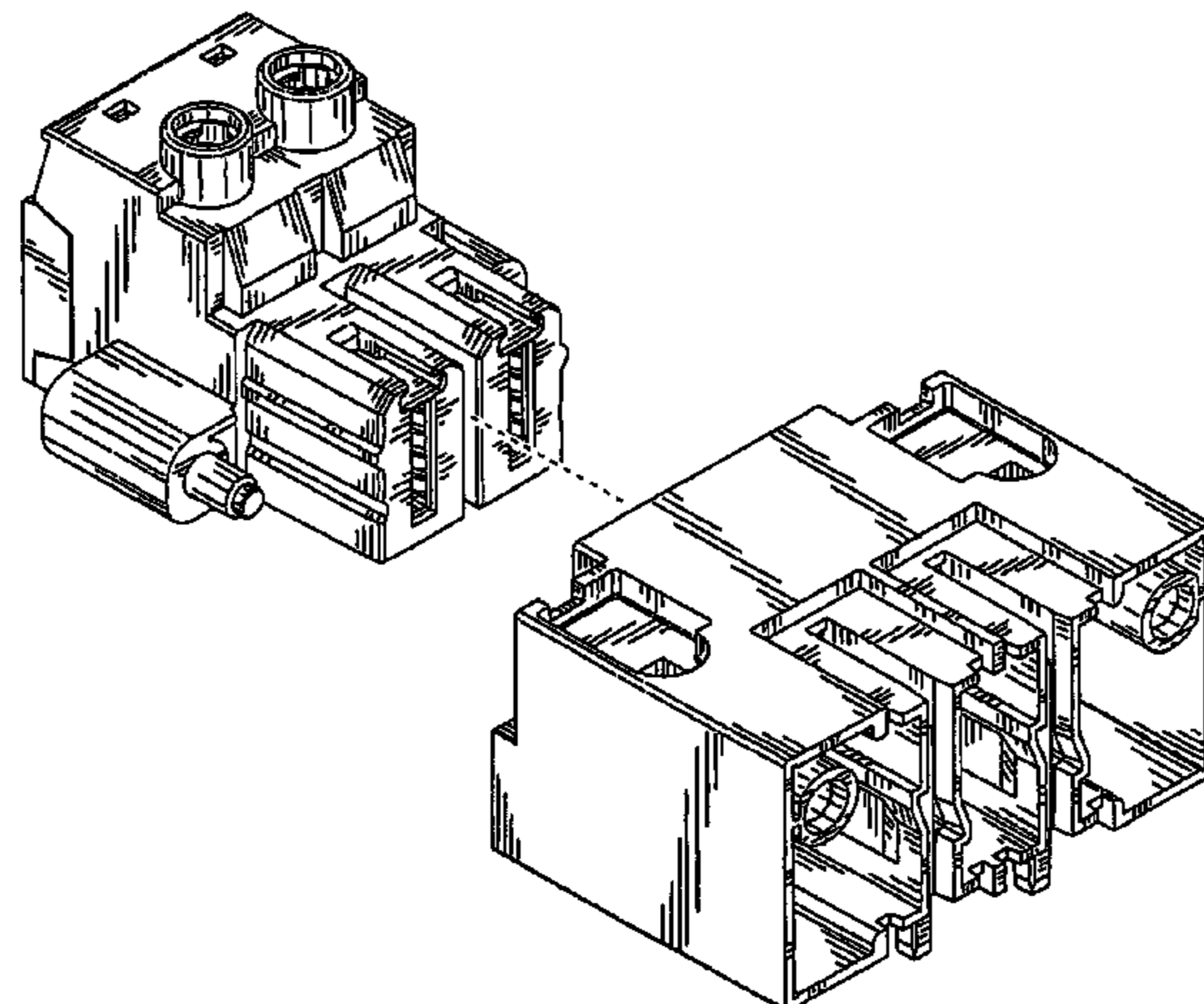
FIG. 17 is a right side elevational view of the female part thereof removed from the male part, the left side elevational view being the mirror image;

FIG. 18 is a rear elevational view of the female part thereof removed from the male part; and,

FIG. 19 is a front elevational view of the female part thereof removed from the male part.

The broken lines in the Figures depict interior portions of the connector that form no part of the claimed design.

1 Claim, 10 Drawing Sheets



US D635,924 S

Page 2

U.S. PATENT DOCUMENTS

D323,139 S *	1/1992	Inaba et al.	D13/133	D330,539 S *	10/1992	Yamanashi	D13/147
D323,150 S *	1/1992	Takenouchi et al.	D13/146	D333,653 S *	3/1993	Yamanashi	D13/147
D330,010 S *	10/1992	Kameyama	D13/147				

* cited by examiner

FIG. 1

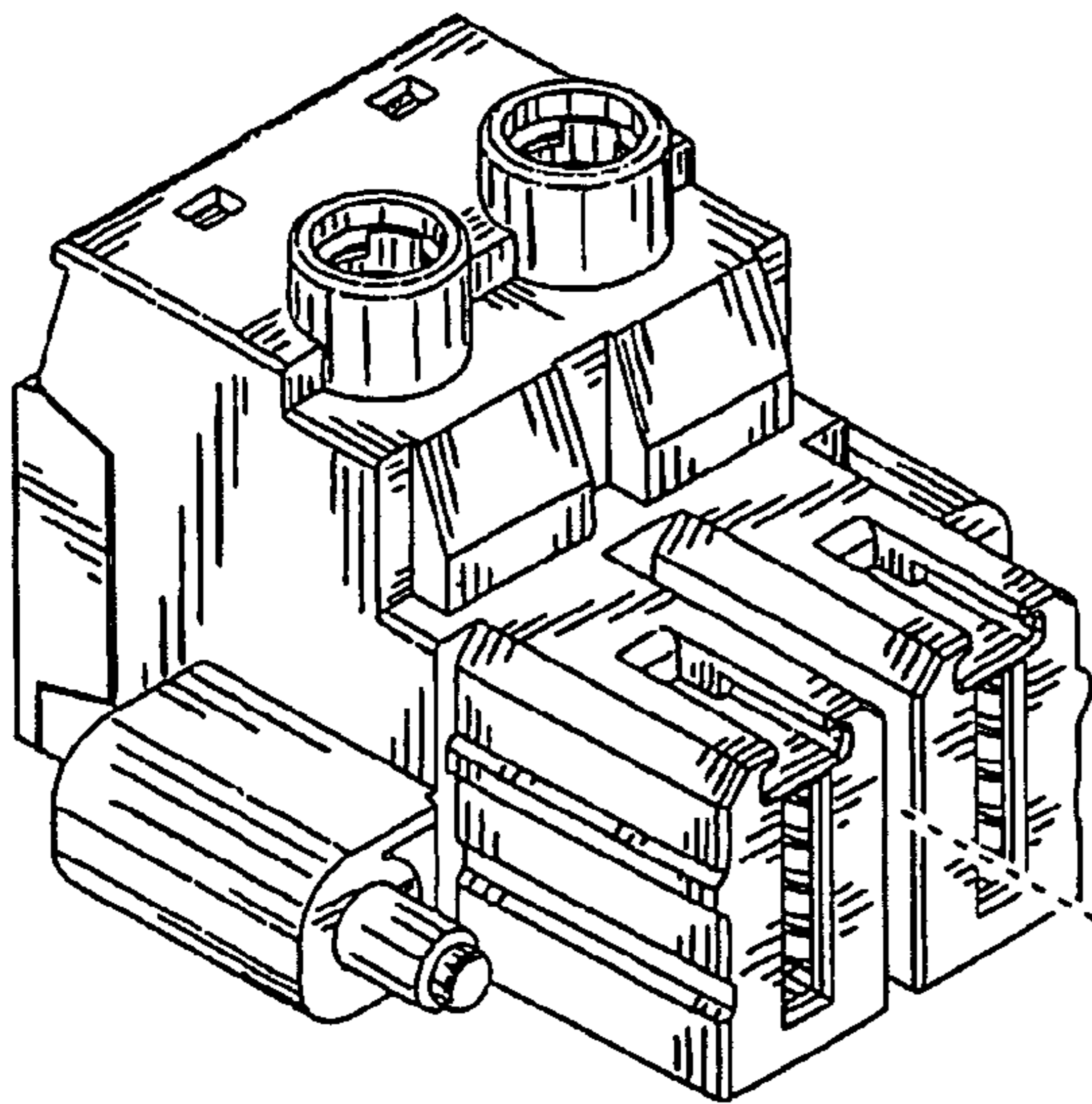
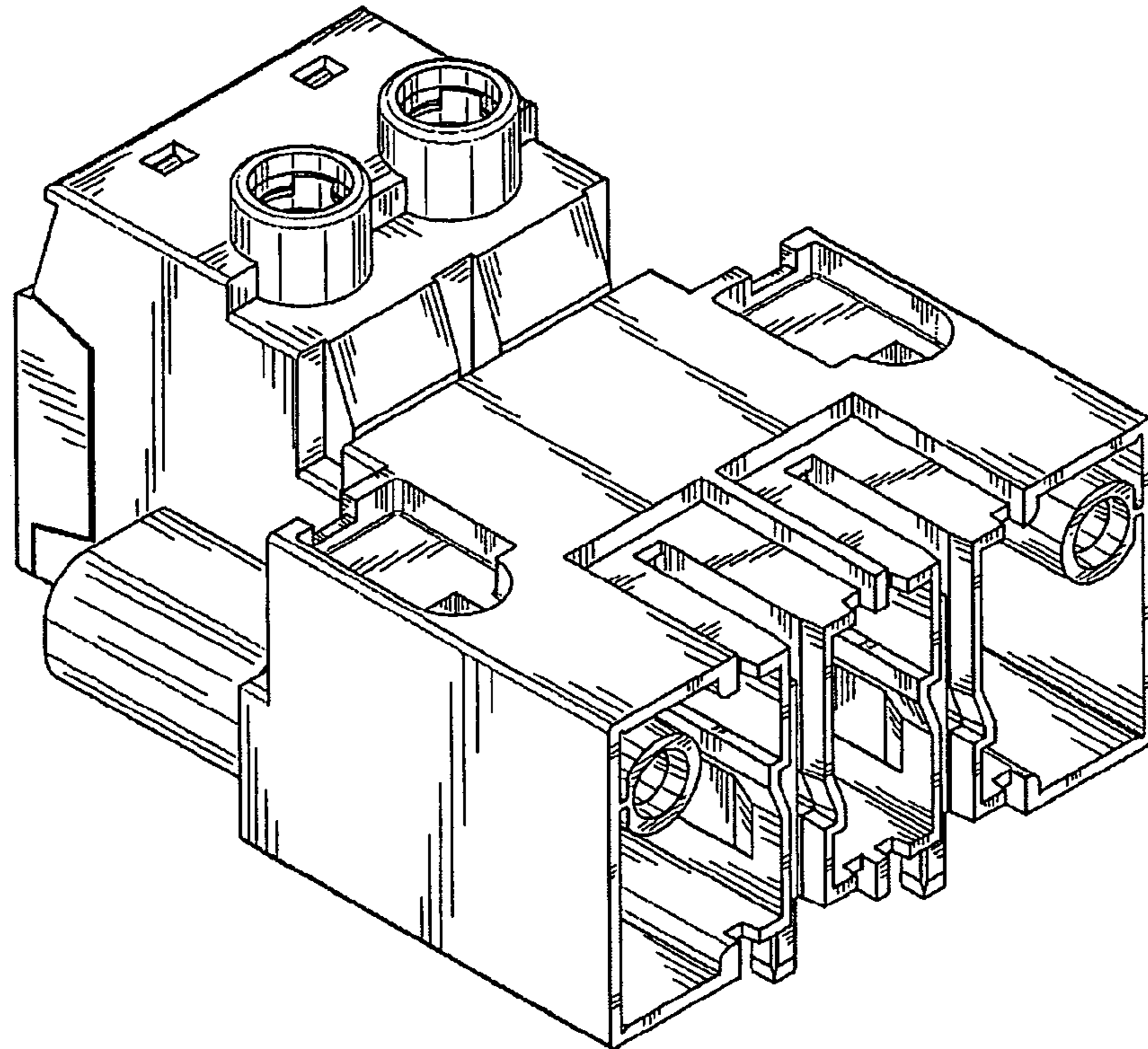


FIG. 2

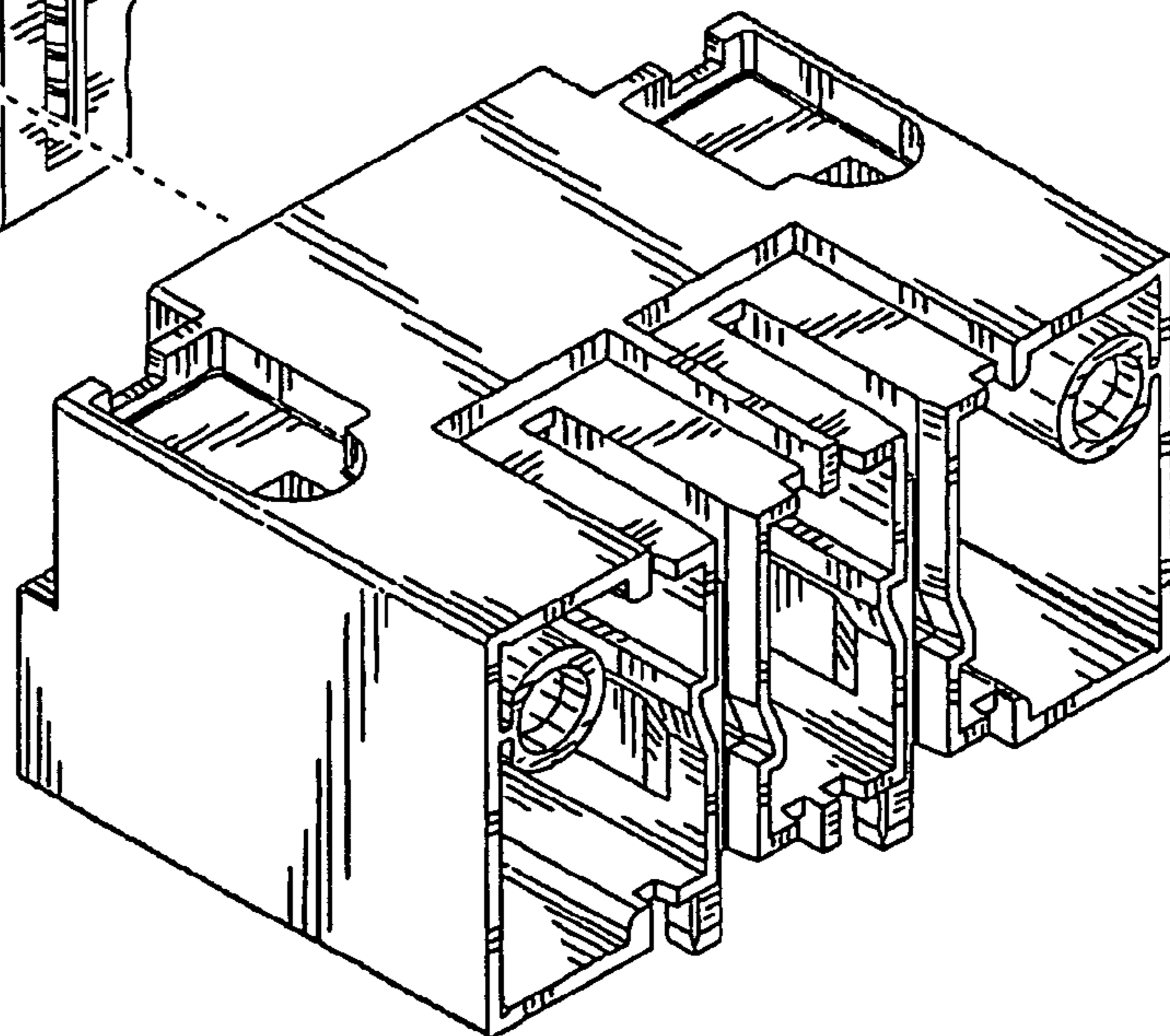


FIG. 3

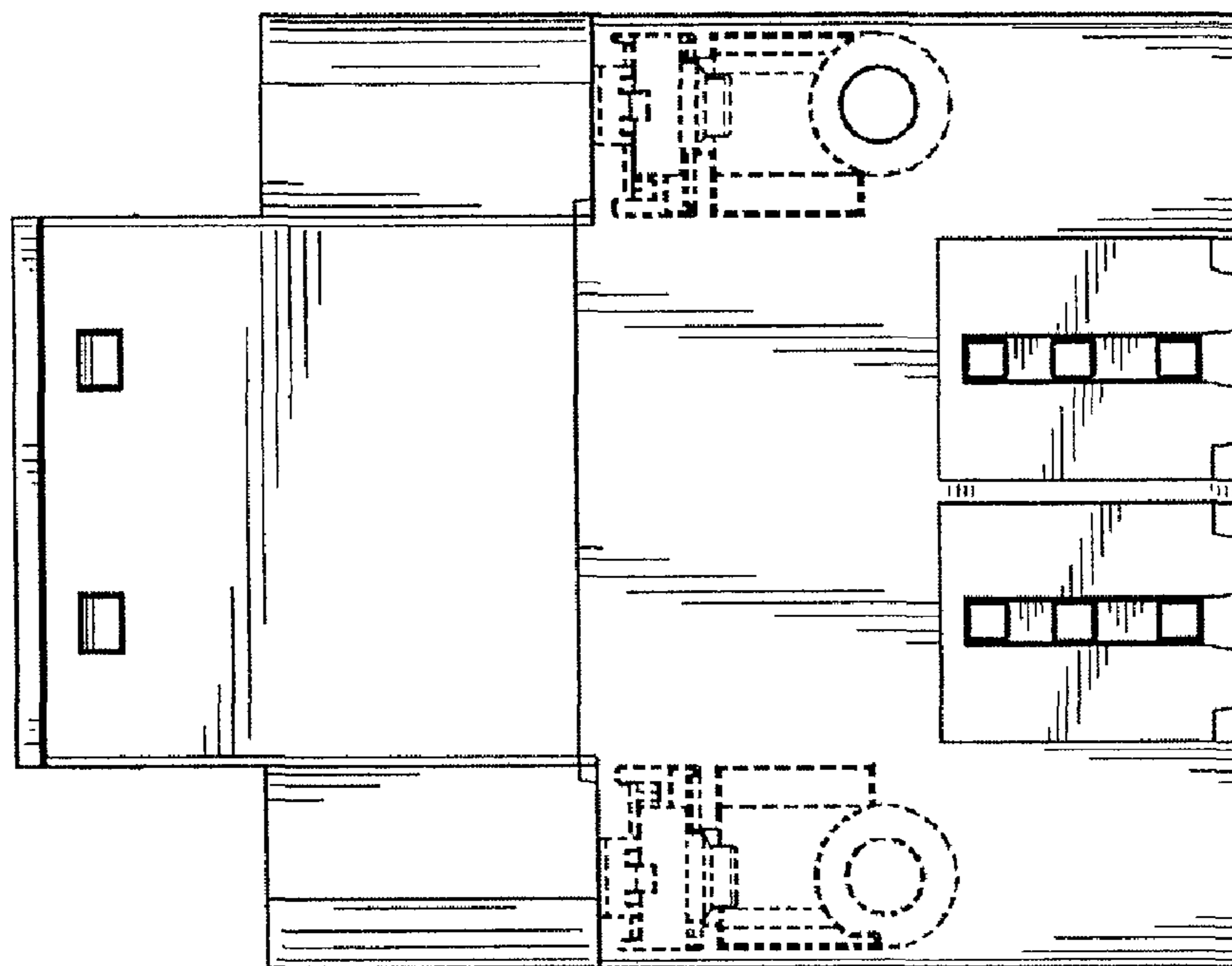
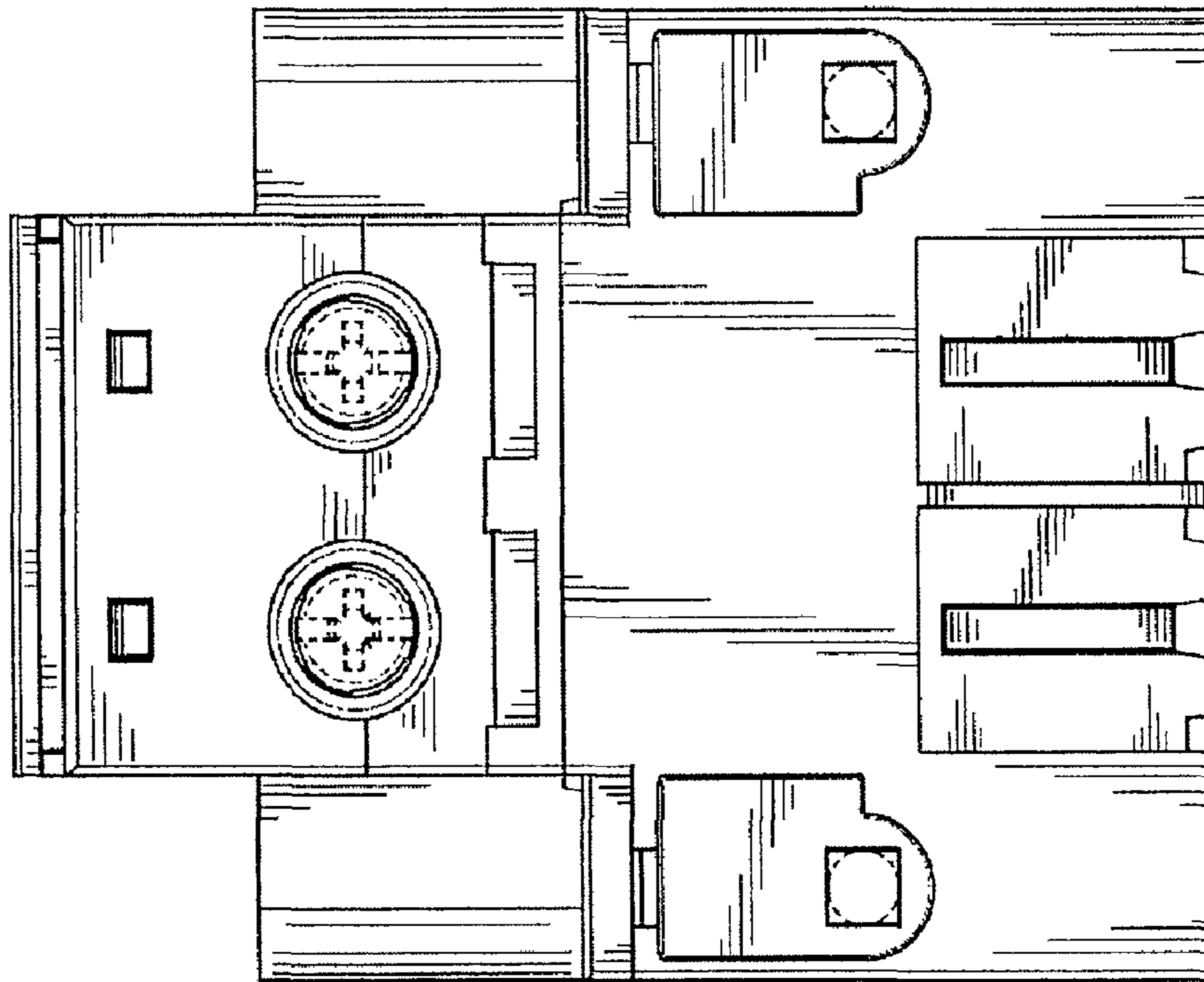


FIG. 4

FIG. 5

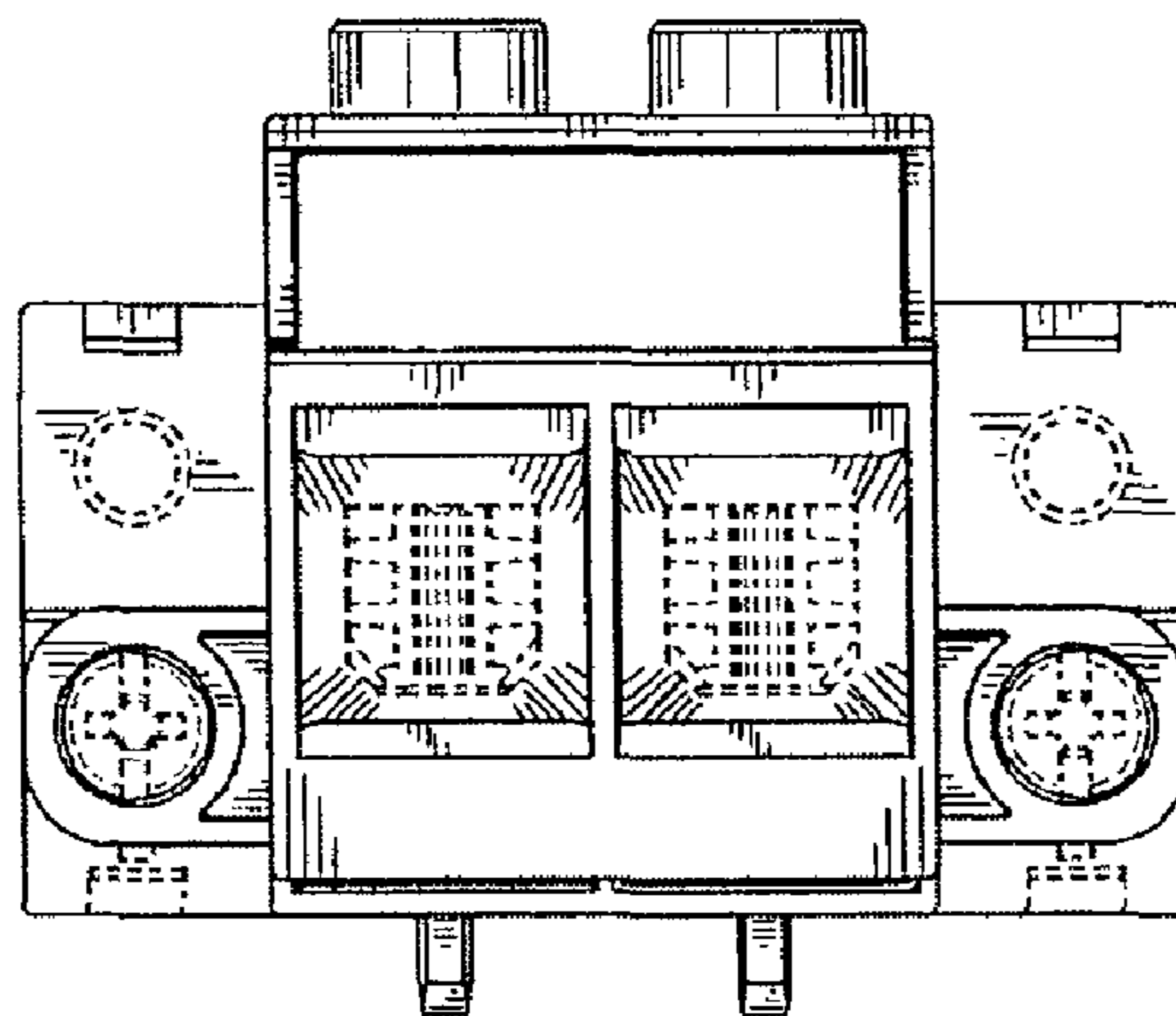
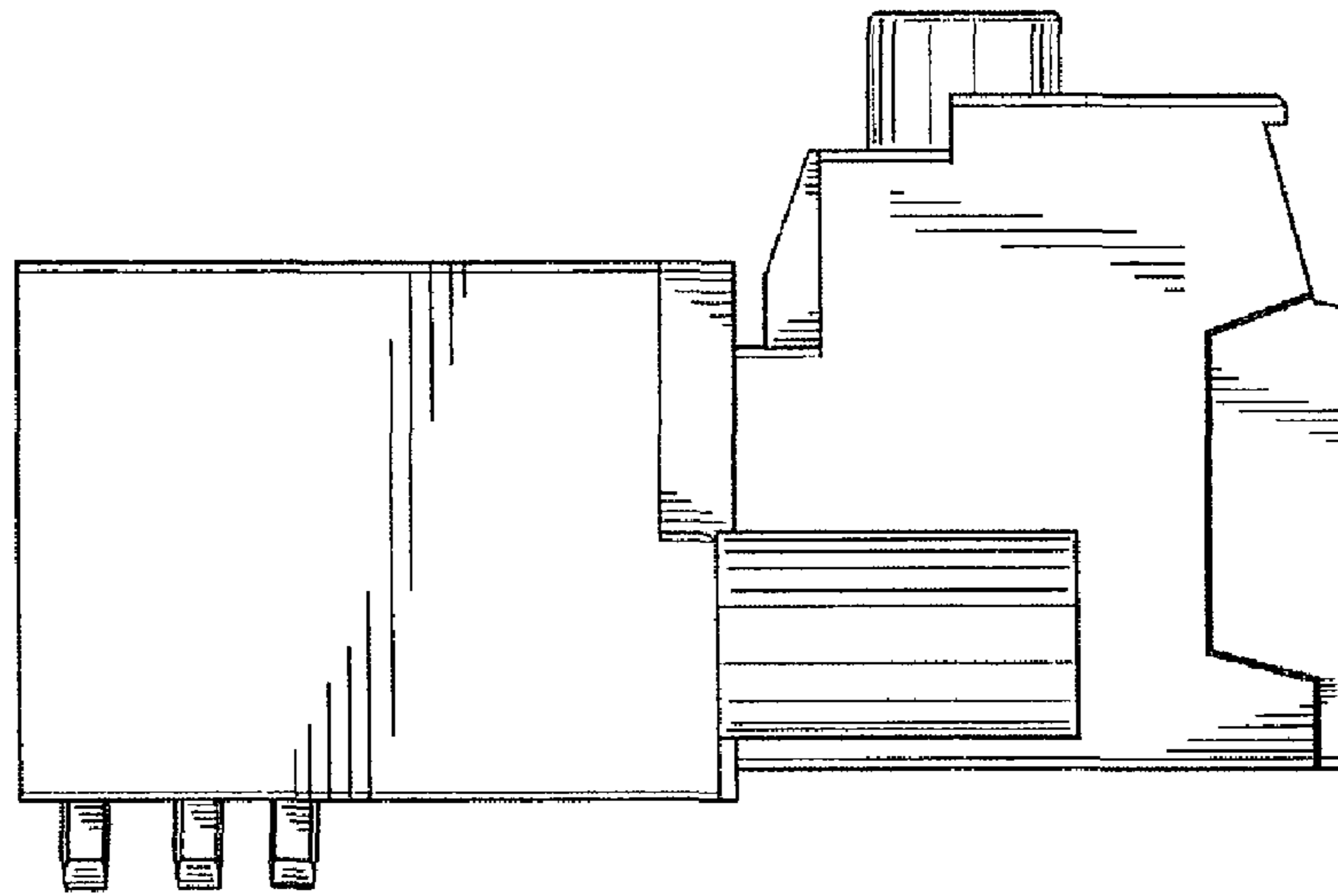


FIG. 6

FIG. 7

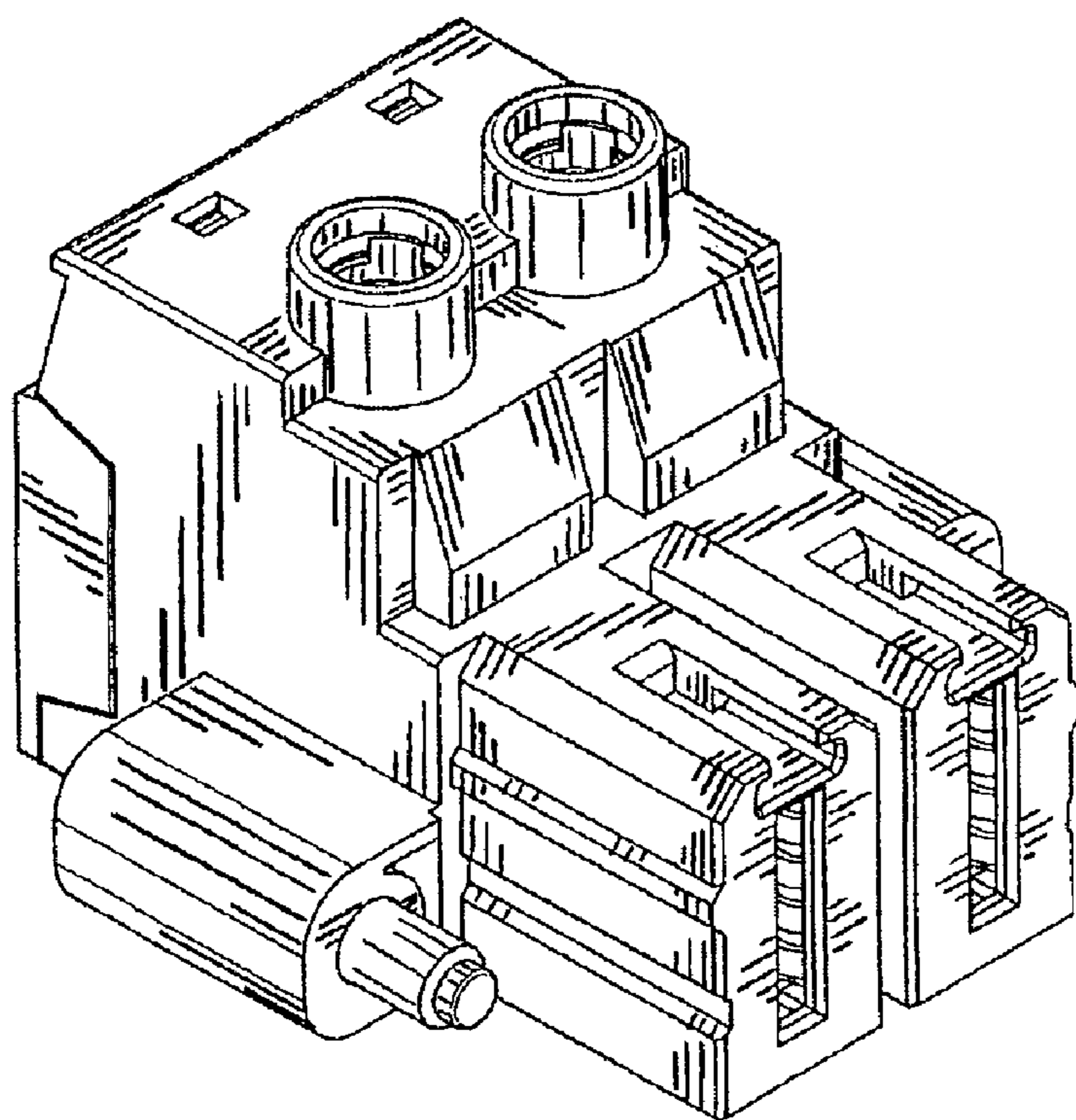
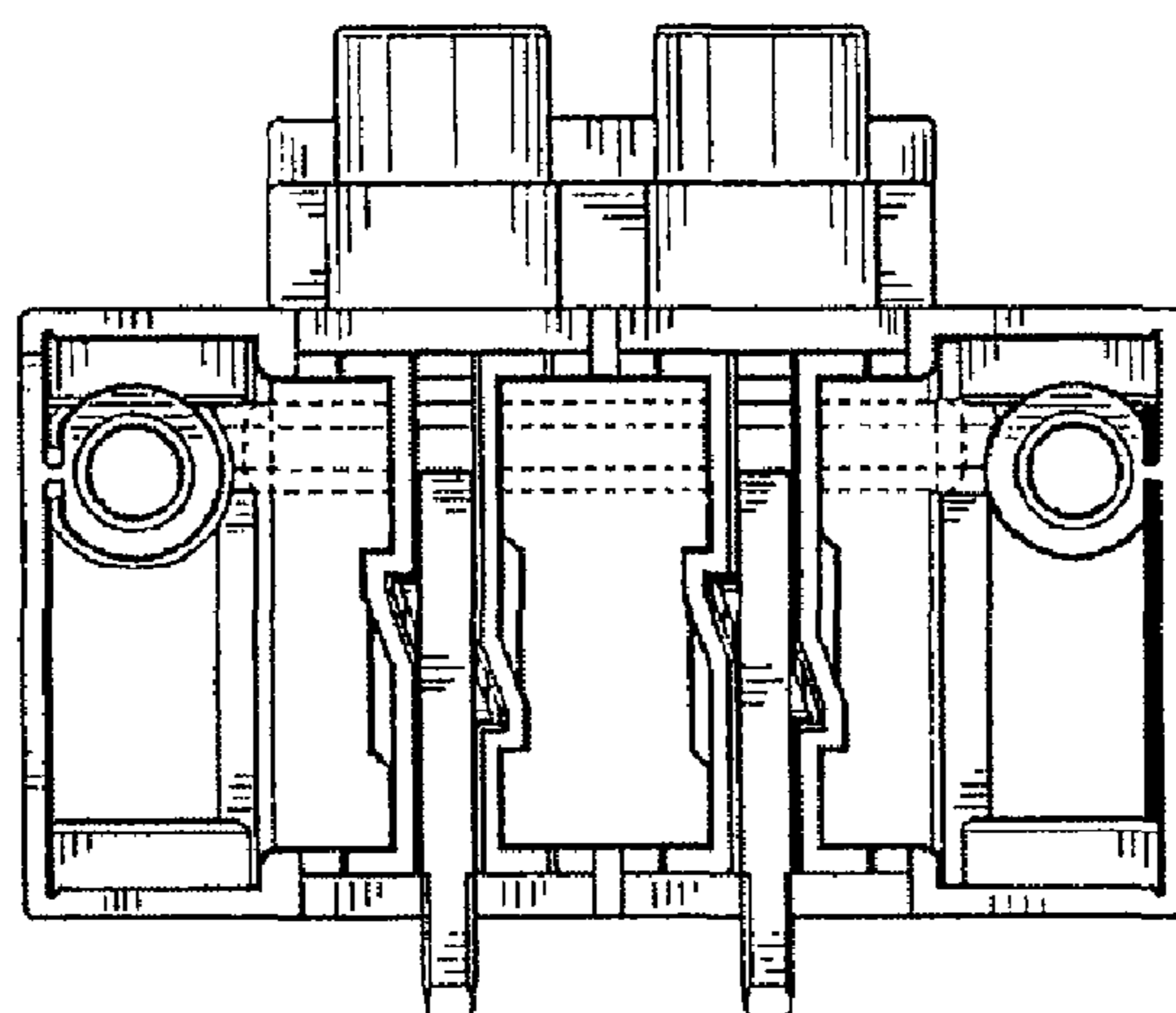


FIG. 8

FIG. 9

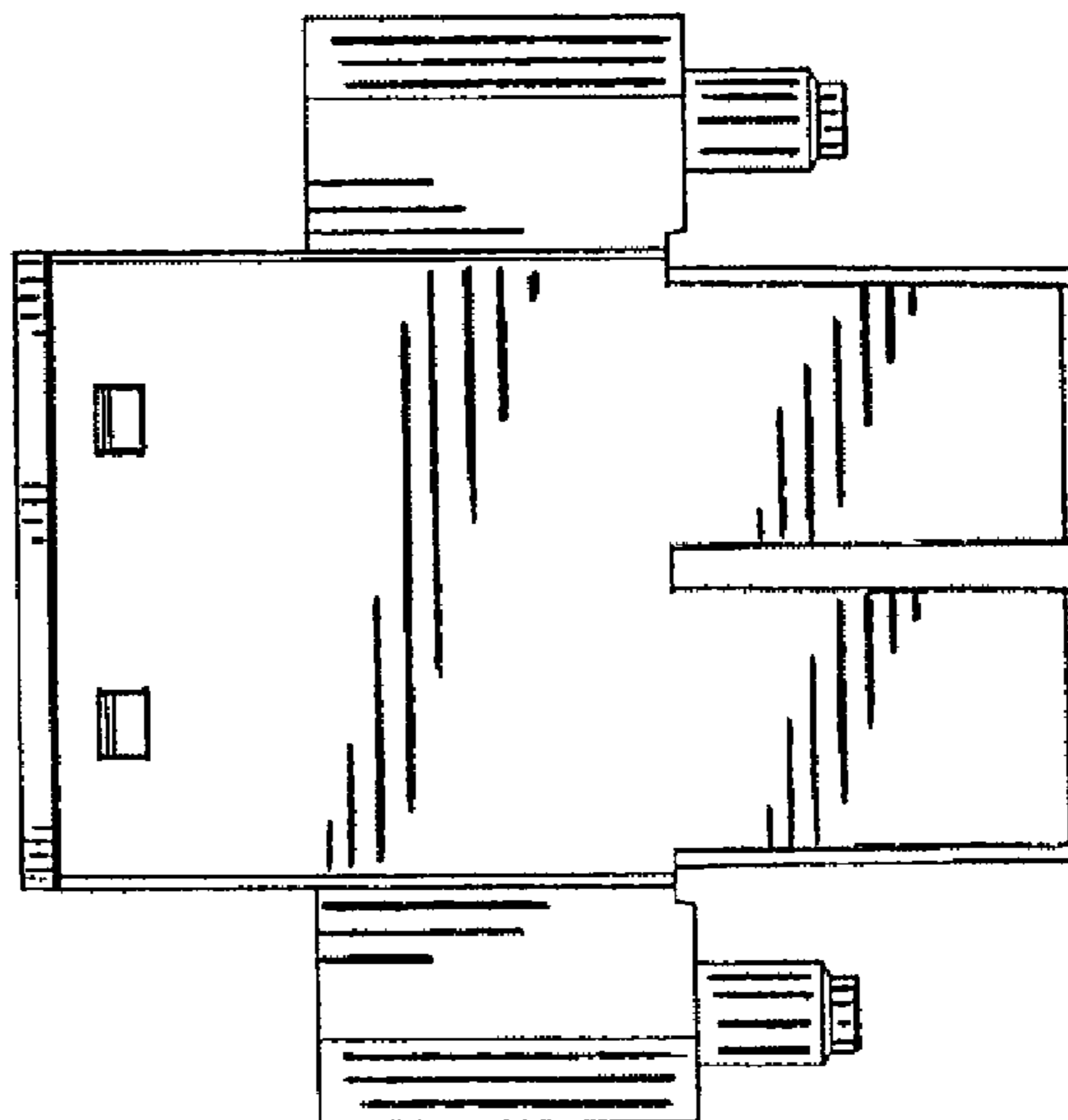
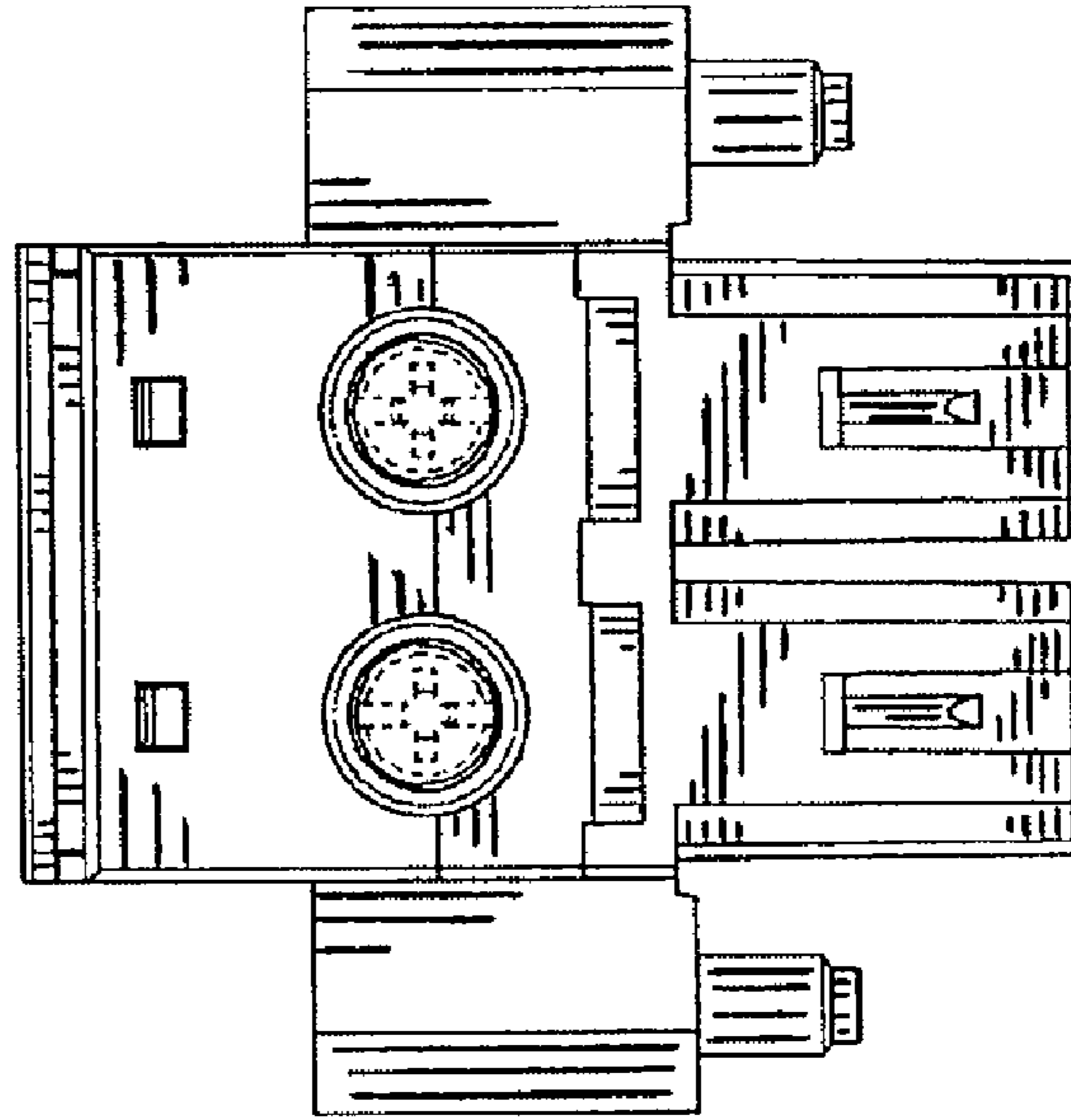


FIG. 10

FIG. 11

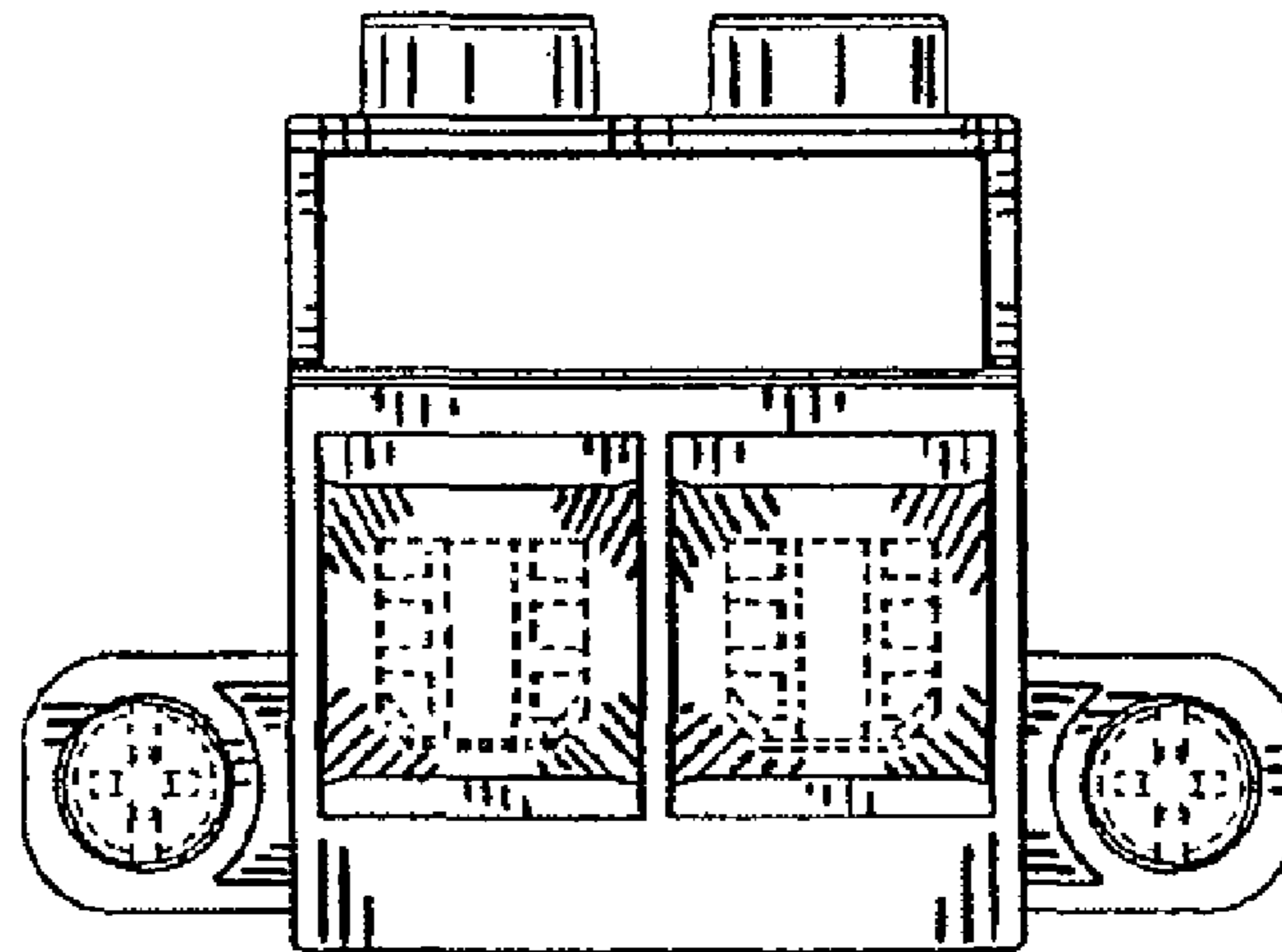
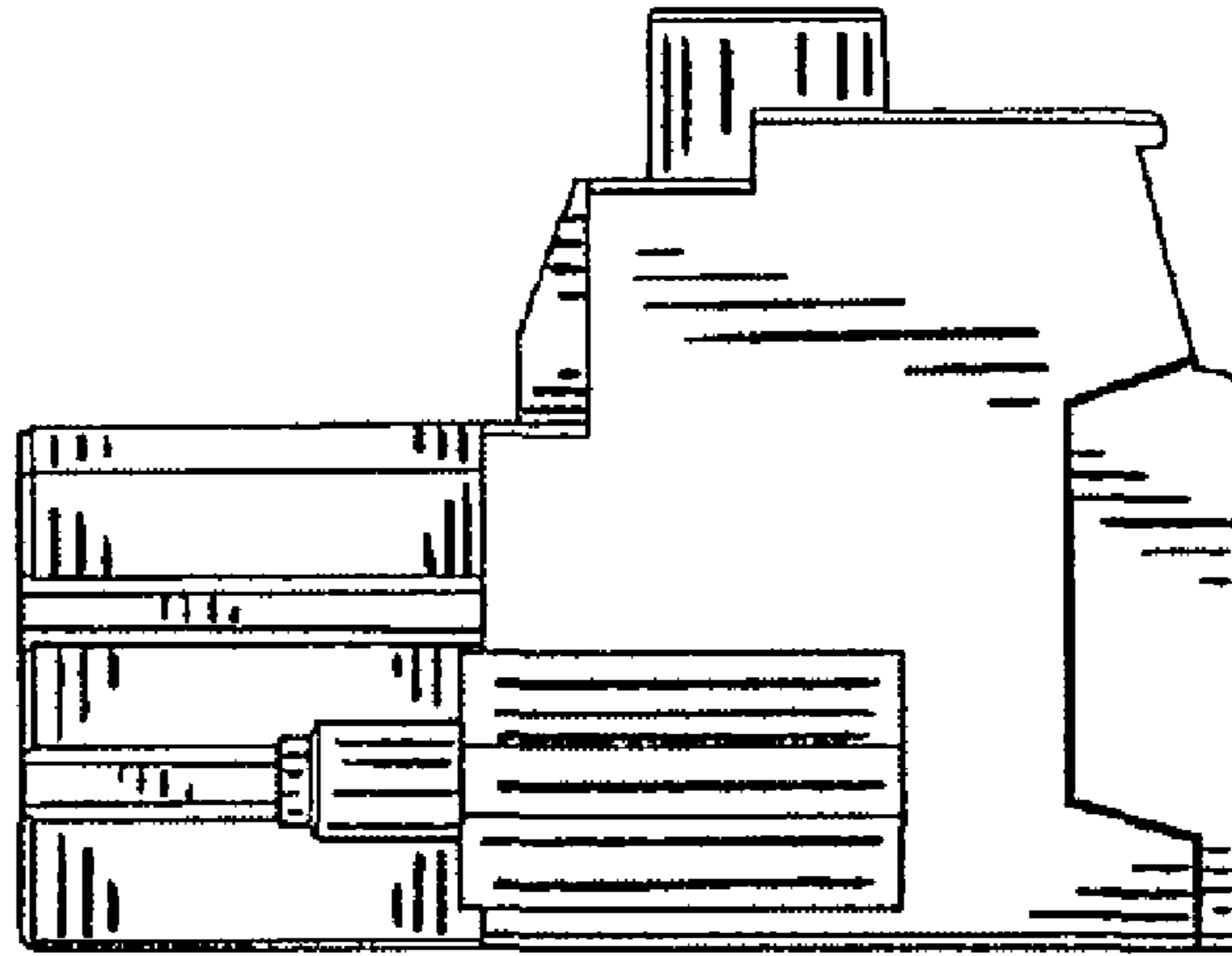


FIG. 12

FIG. 13

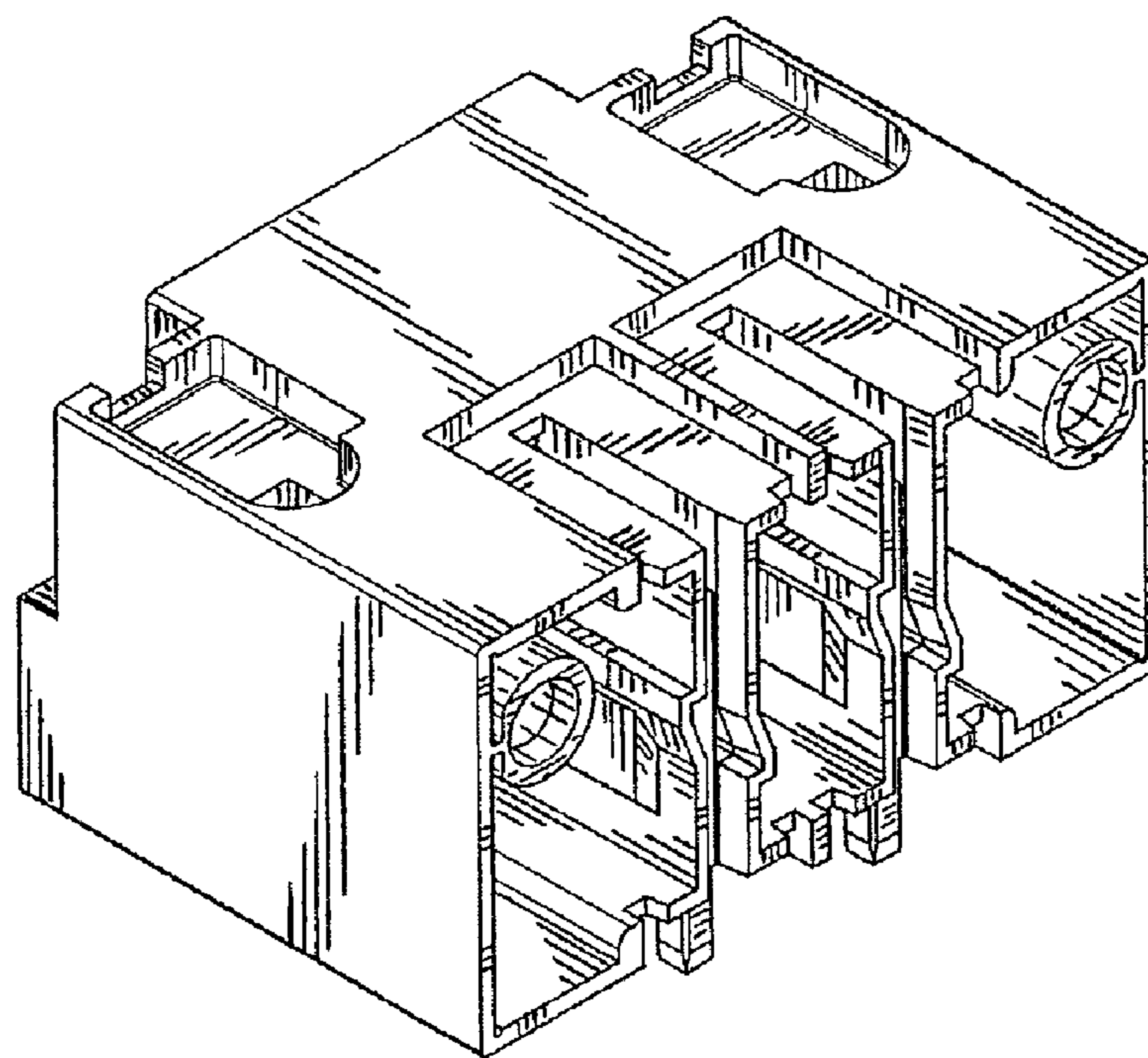
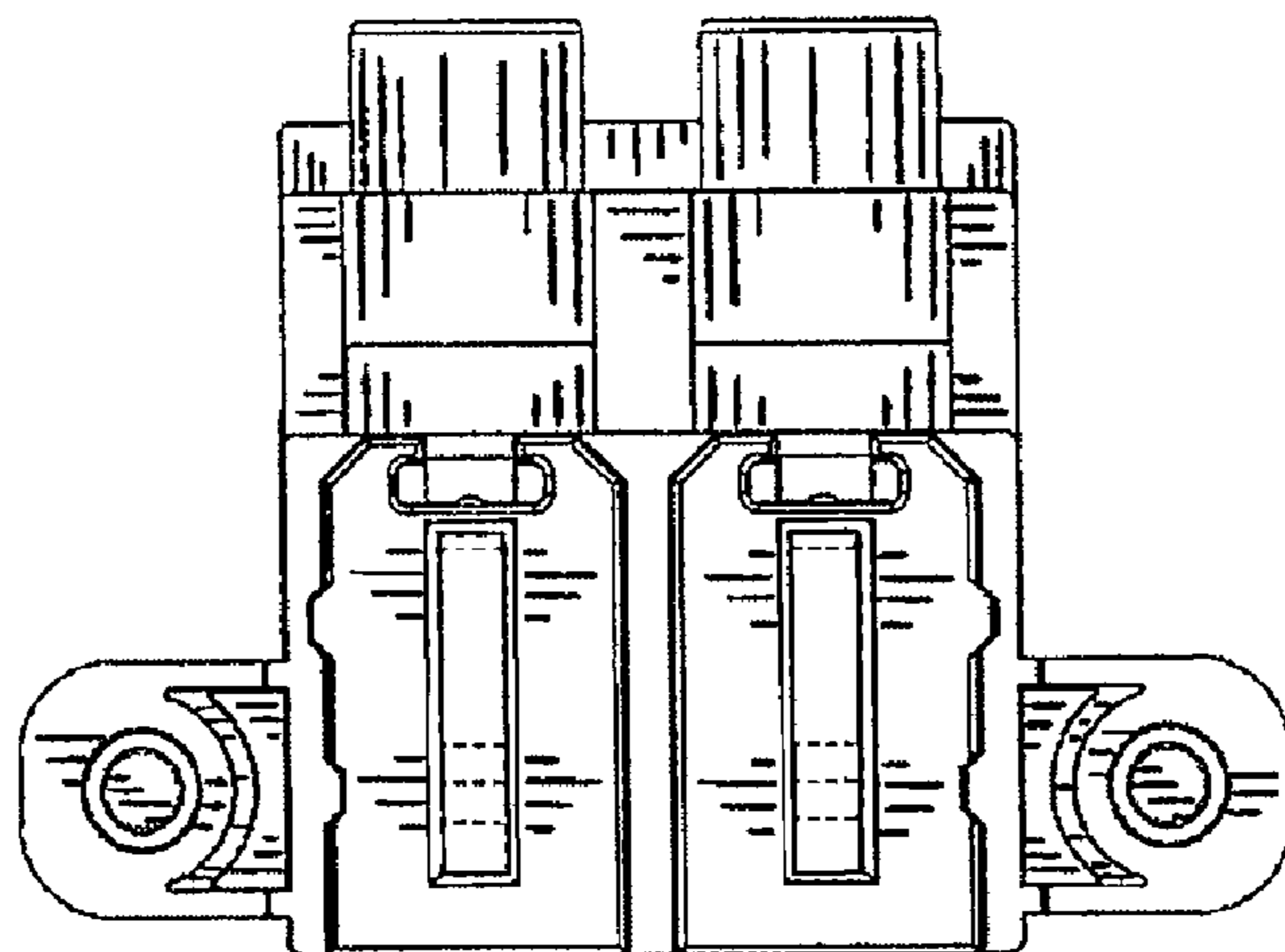


FIG. 14

FIG. 15

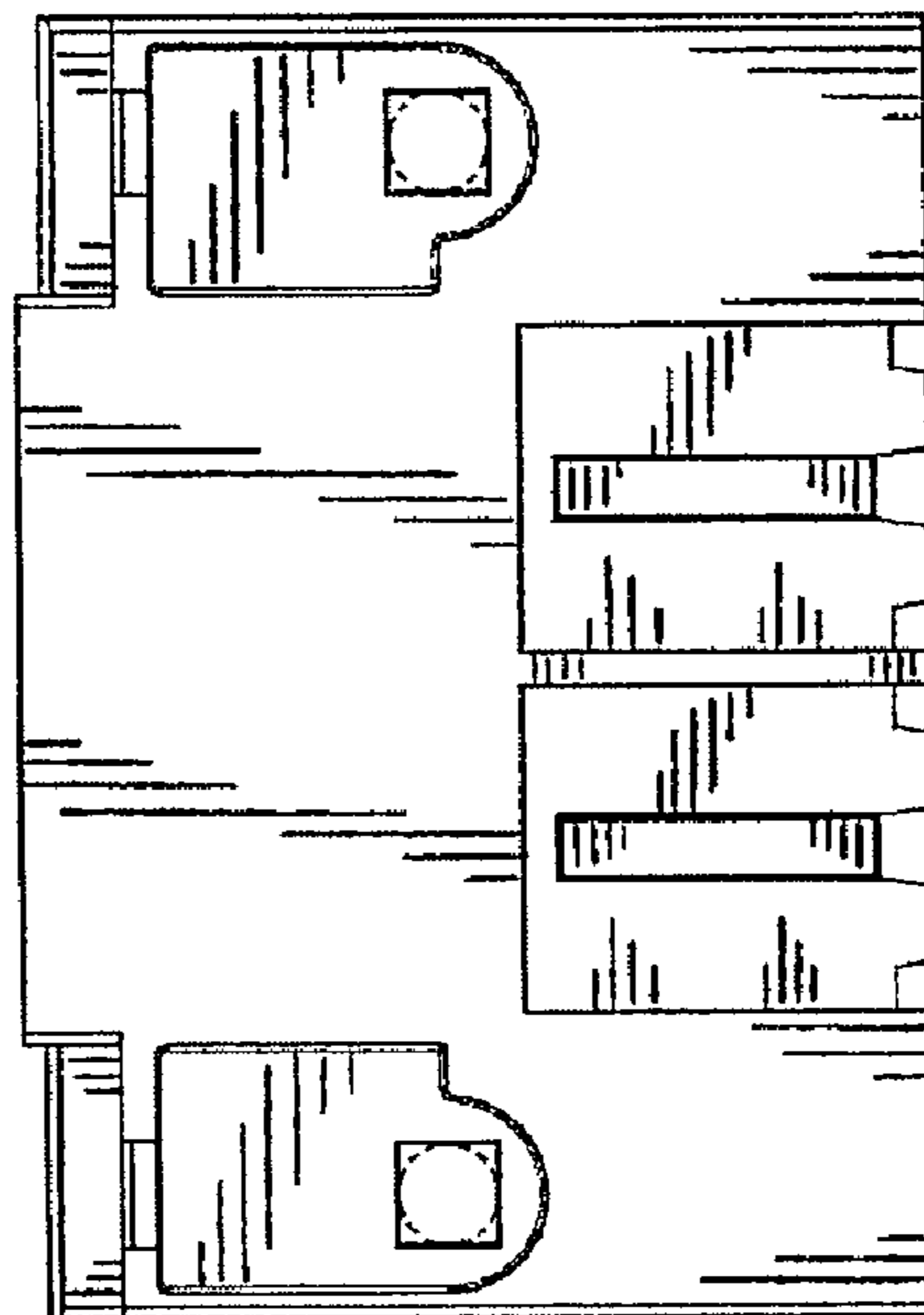
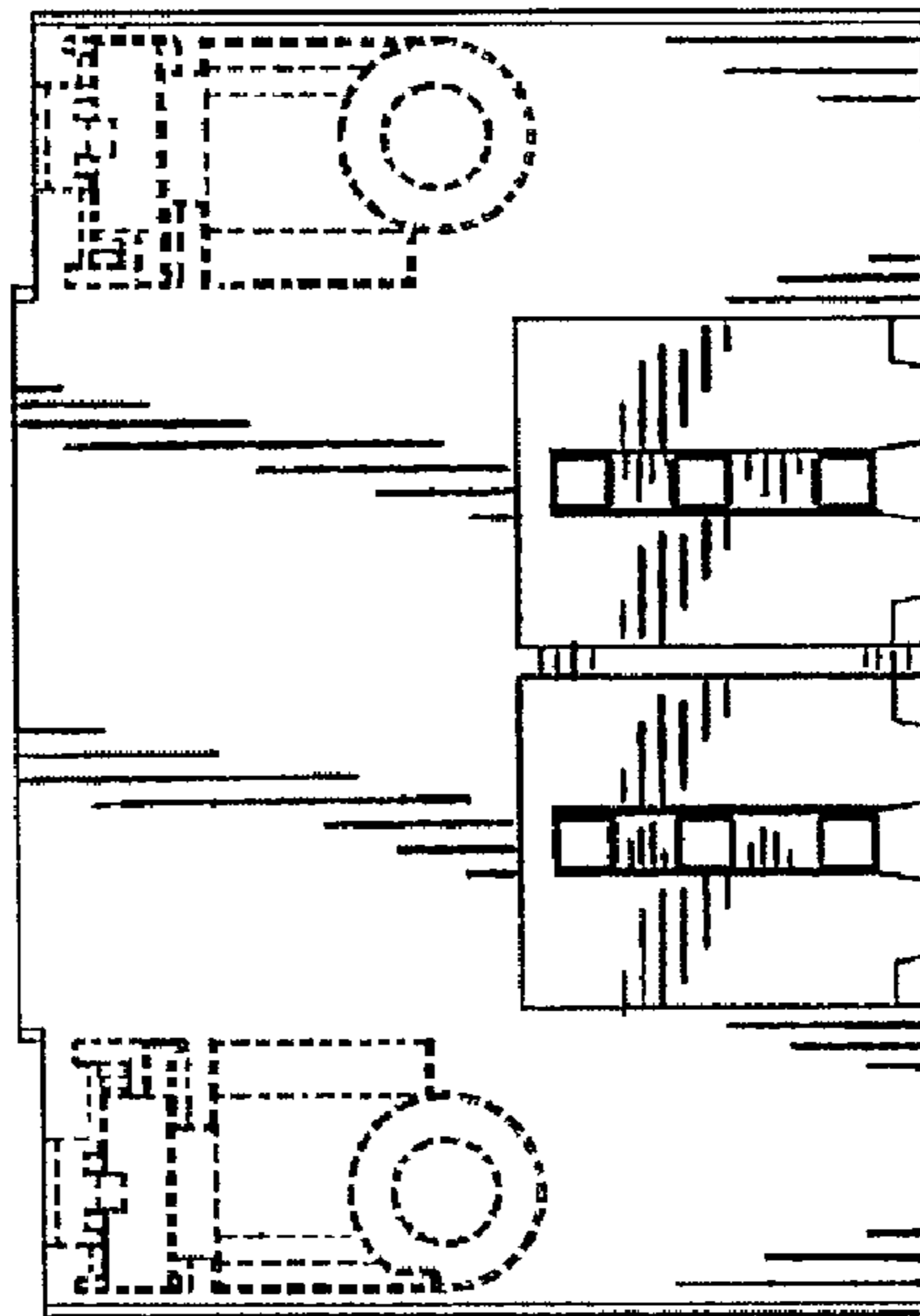


FIG. 16

FIG. 17

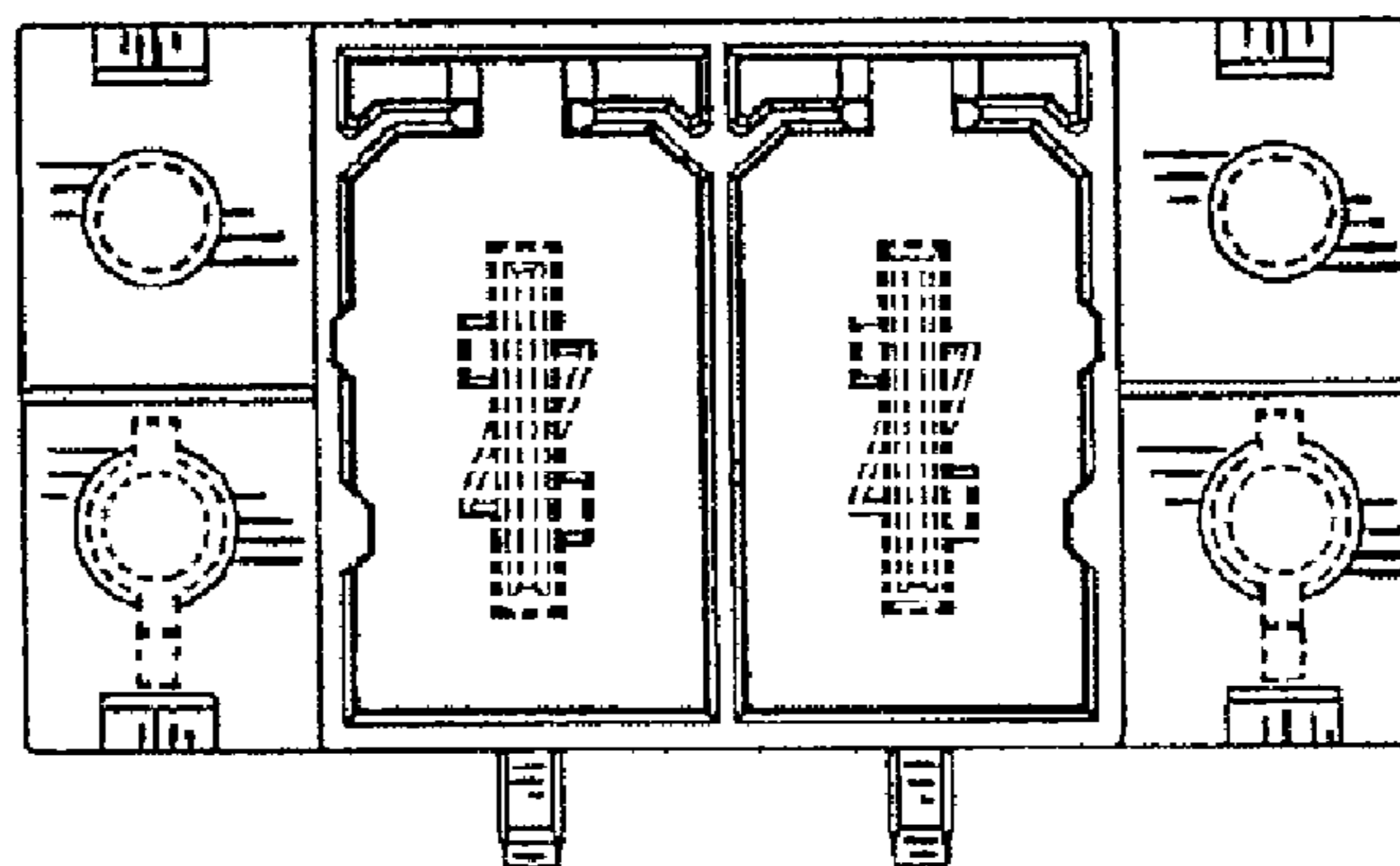
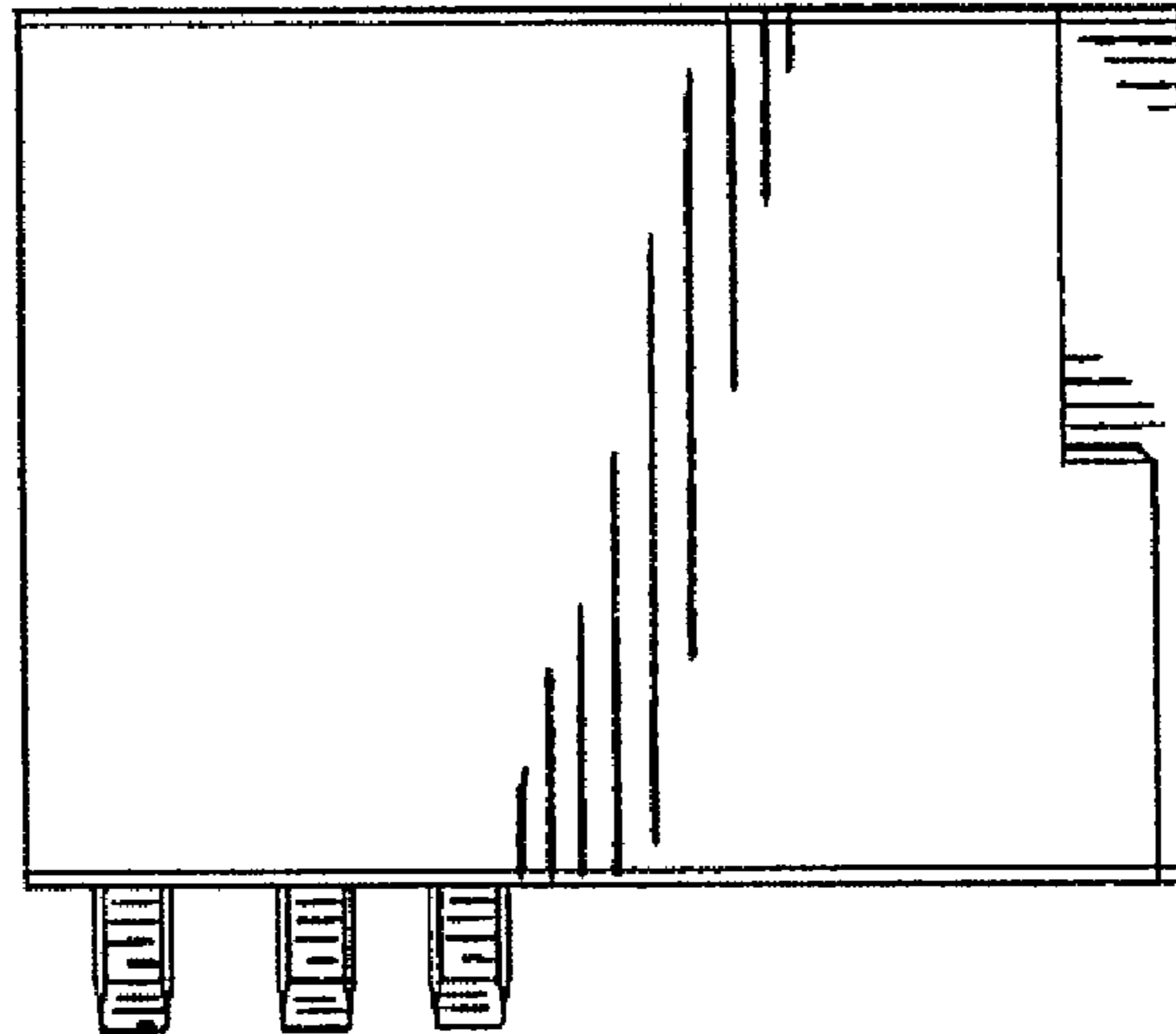


FIG. 18

FIG. 19

