



US00D635923S

(12) **United States Design Patent**  
**Lin**

(10) **Patent No.:** **US D635,923 S**

(45) **Date of Patent:** **\*\* Apr. 12, 2011**

(54) **PLUG OF VEHICLE CHARGER**

(75) Inventor: **Chu-Keng Lin**, Tu-Cheng (TW)

(73) Assignee: **Cheng Uei Precision Industry Co., Ltd.**, Tu-Cheng, Taipei Hsien (TW)

(\*\*) Term: **14 Years**

(21) Appl. No.: **29/364,455**

(22) Filed: **Jun. 24, 2010**

(51) **LOC (9) Cl.** ..... **13-03**

(52) **U.S. Cl.** ..... **D13/144**

(58) **Field of Classification Search** ..... D13/107,  
D13/118, 119, 120, 133, 144, 154, 184; D14/155;  
320/65, 107, 108, 109; 363/13, 146; 439/300,  
439/620, 638, 668, 669, 675, 825

See application file for complete search history.

(56) **References Cited**

**U.S. PATENT DOCUMENTS**

D315,543 S *	3/1991	Soren et al.	.....	D13/144
D525,201 S *	7/2006	Navarrez et al.	.....	D13/144
D597,938 S *	8/2009	Lee et al.	.....	D13/108

\* cited by examiner

*Primary Examiner* — Daniel D Bui

(74) *Attorney, Agent, or Firm* — Cheng-Ju Chiang

(57) **CLAIM**

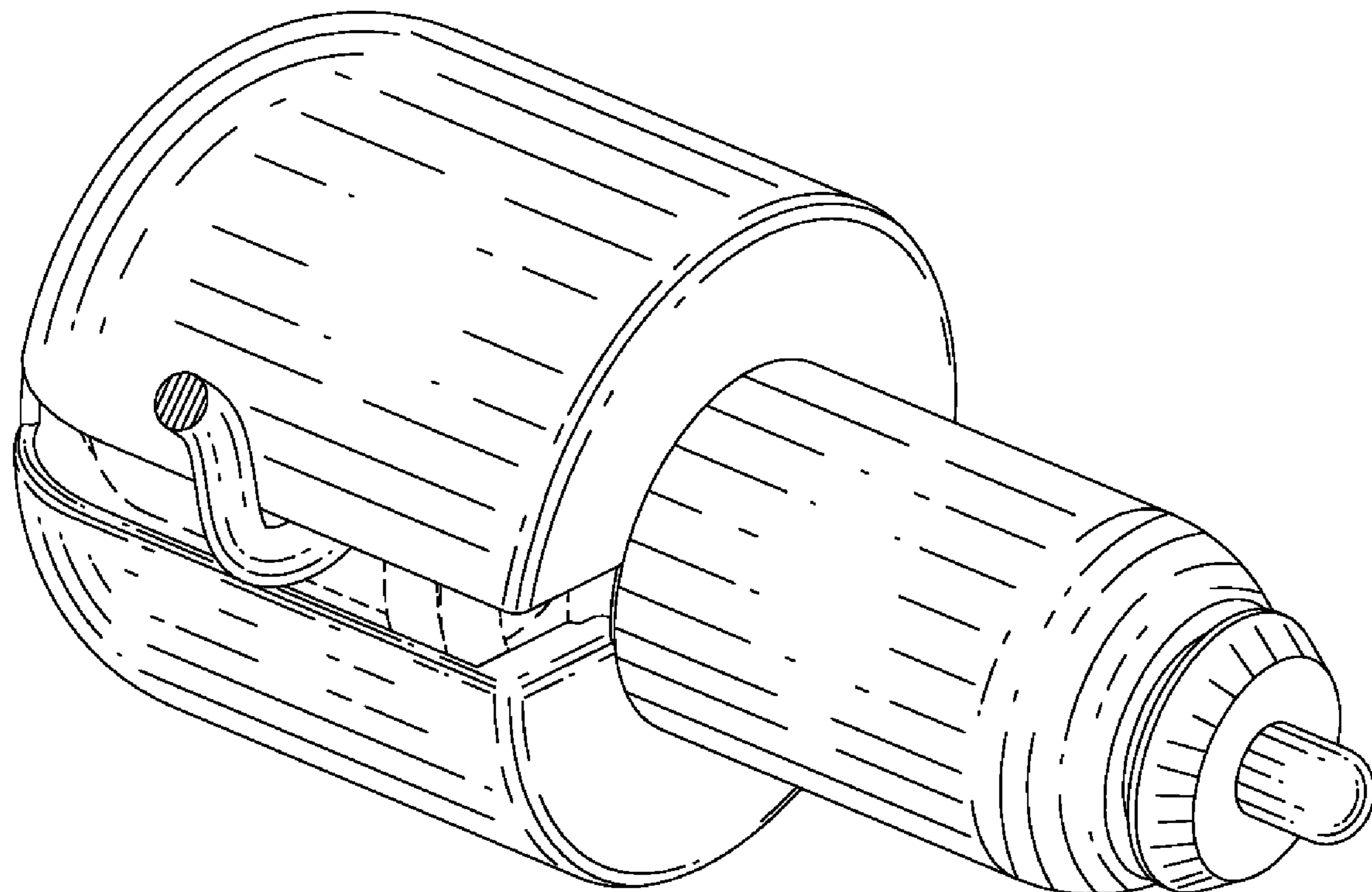
The ornamental design for a plug of vehicle charger, as shown and described.

**DESCRIPTION**

FIG. 1 is a perspective view of a plug of vehicle charger showing my new design;  
 FIG. 2 is a front elevational view thereof;  
 FIG. 3 is a rear elevational view thereof;  
 FIG. 4 is a left side elevational view thereof;  
 FIG. 5 is a right side elevational view thereof;  
 FIG. 6 is a top plan view thereof;  
 FIG. 7 is a bottom plan view thereof;  
 FIG. 8 is a perspective view showing the plug of vehicle charger without being engaged into a cover; and,  
 FIG. 9 is a perspective view showing the plug of vehicle charger being engaged into the cover.

The broken line portion of the figure drawings is included to show unclaimed subject matter only and forms no part of the claimed design.

**1 Claim, 9 Drawing Sheets**



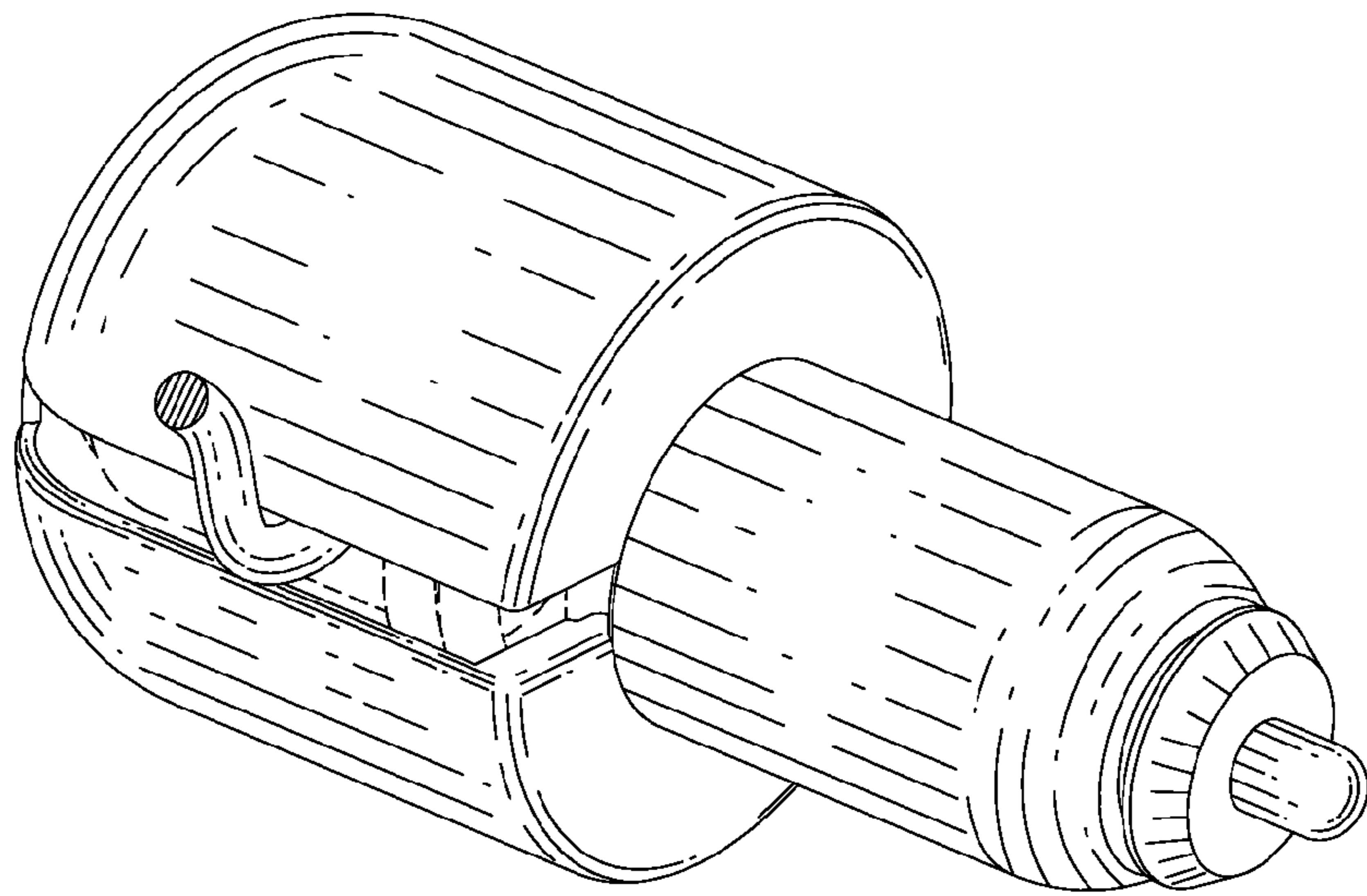


FIG. 1

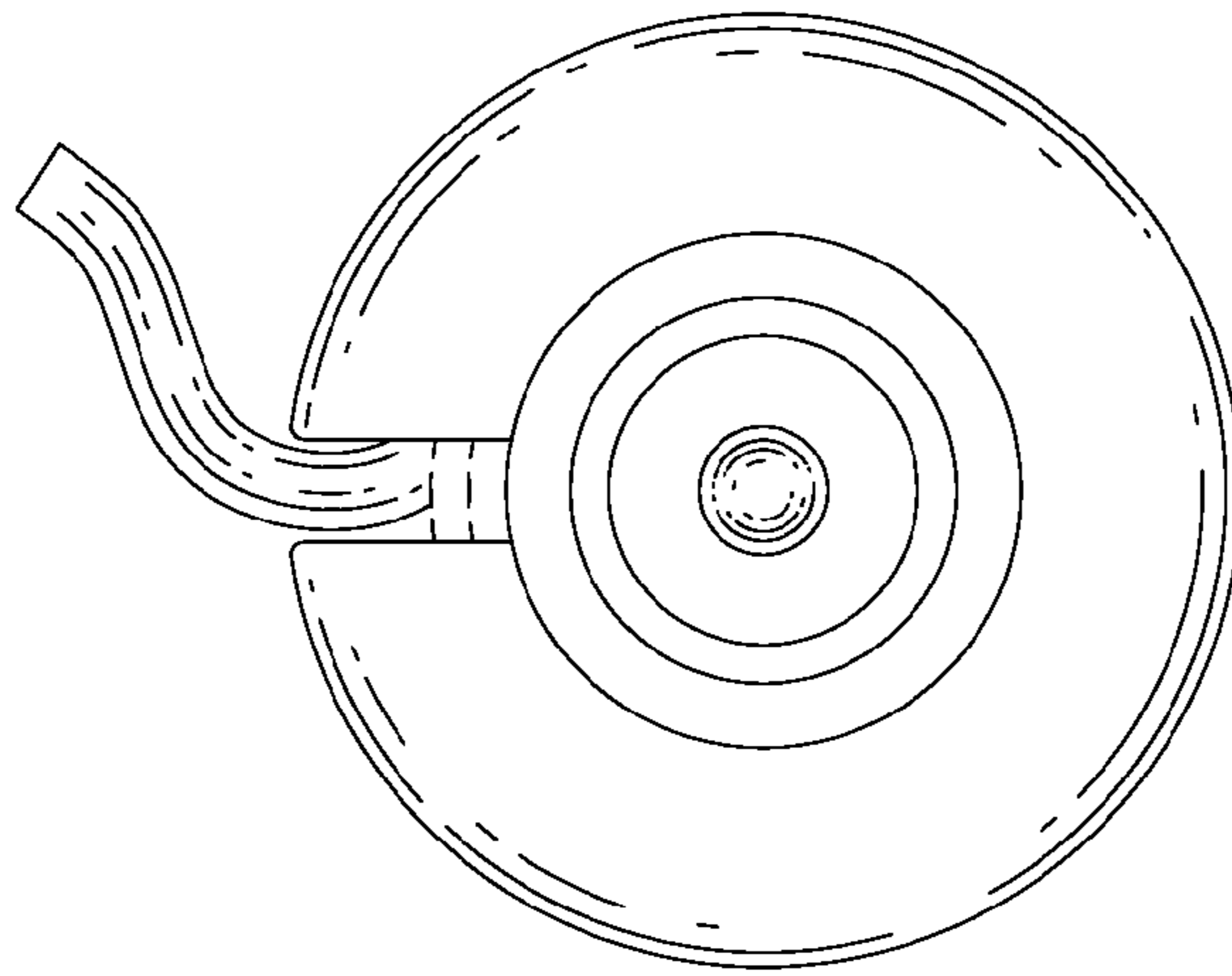


FIG. 2

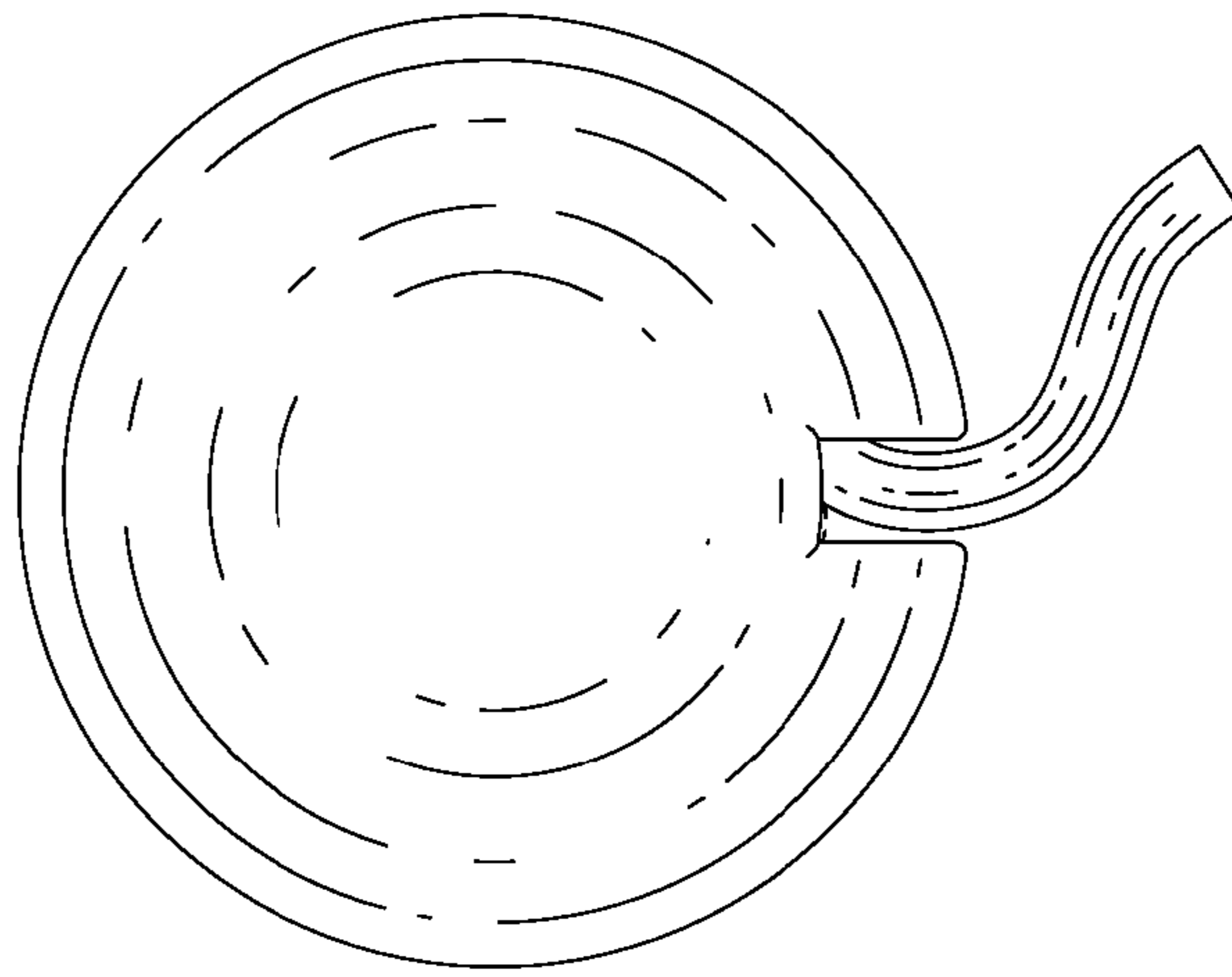


FIG. 3

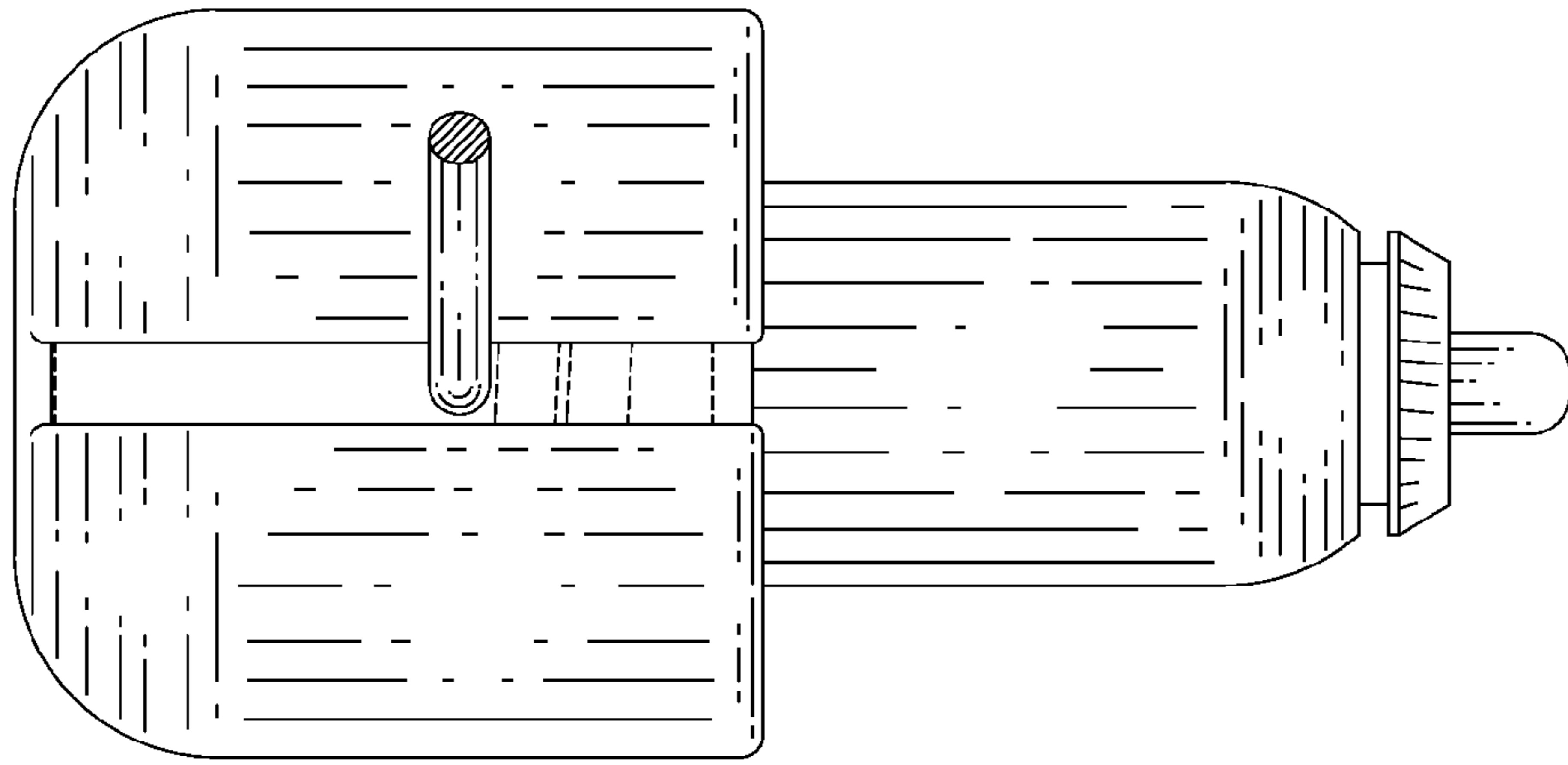


FIG. 4

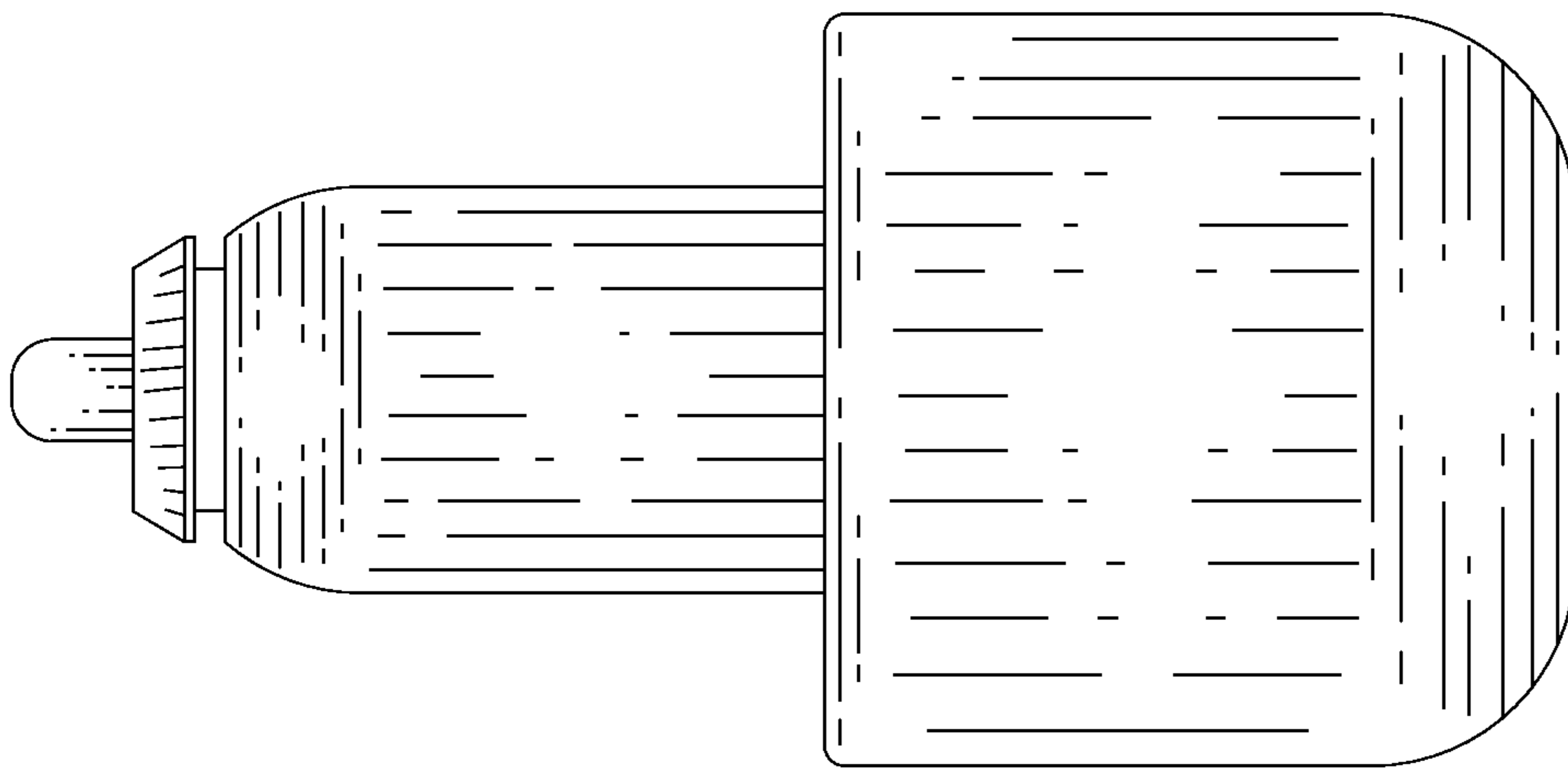


FIG. 5

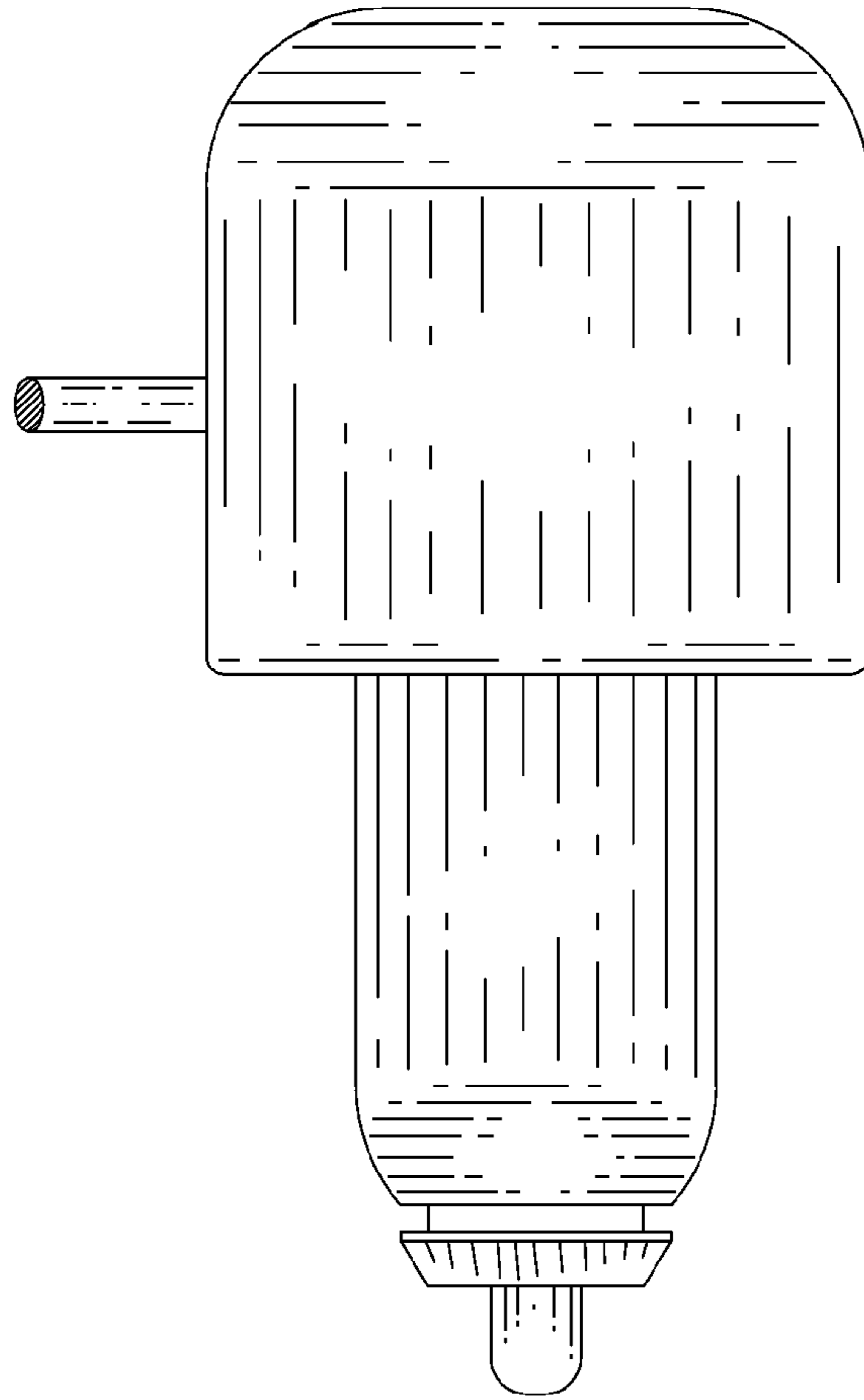


FIG. 6

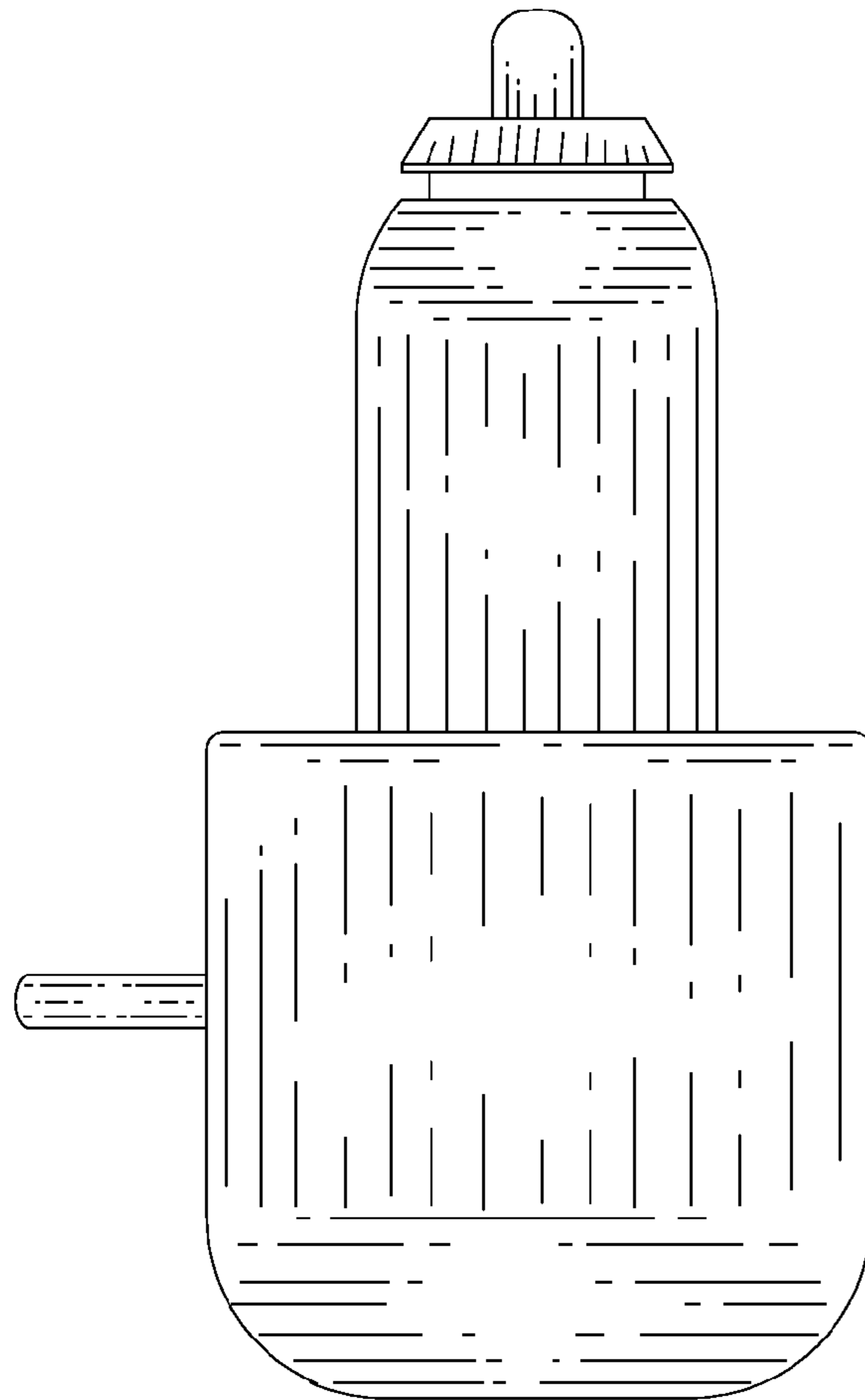


FIG. 7



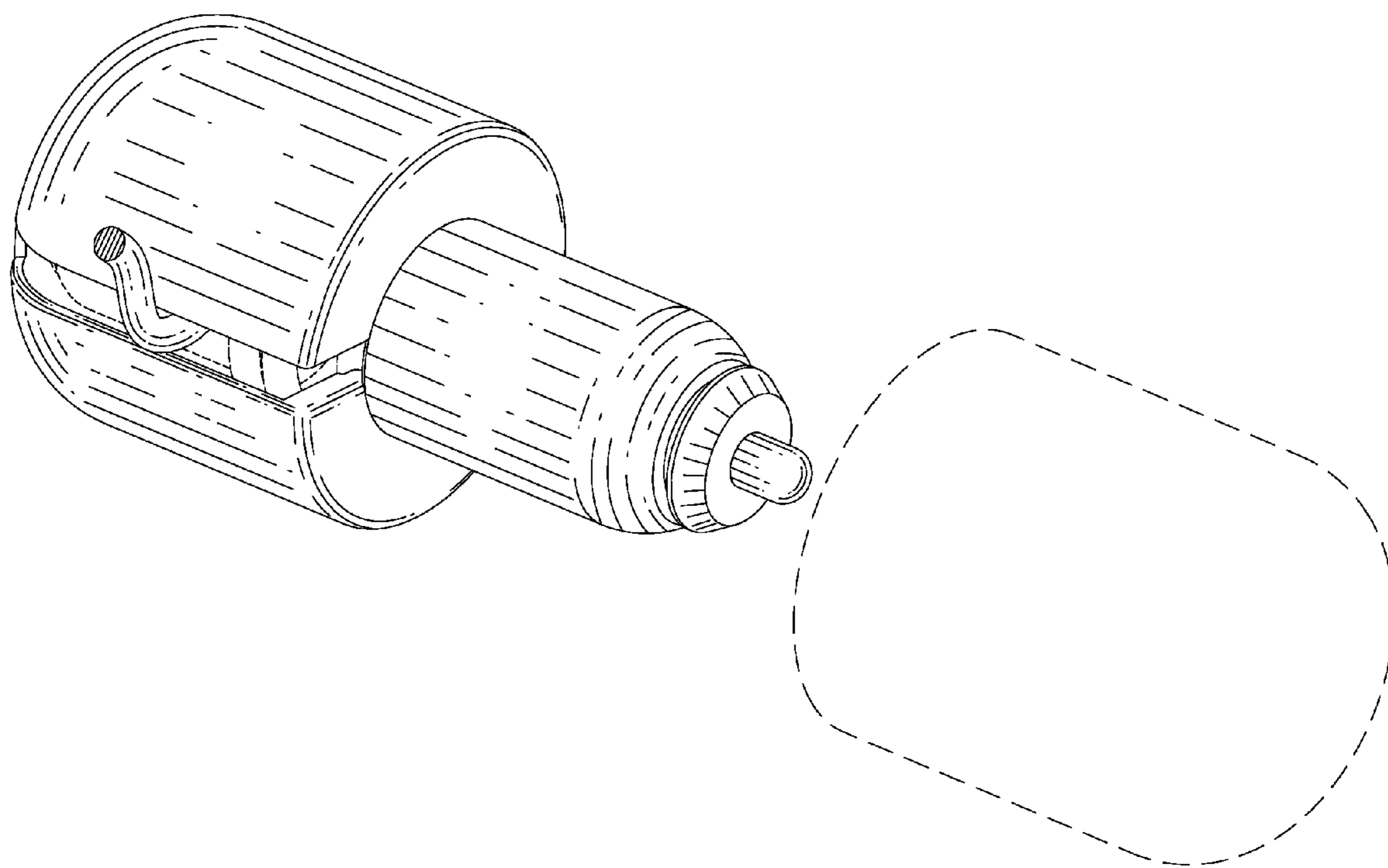


FIG. 8

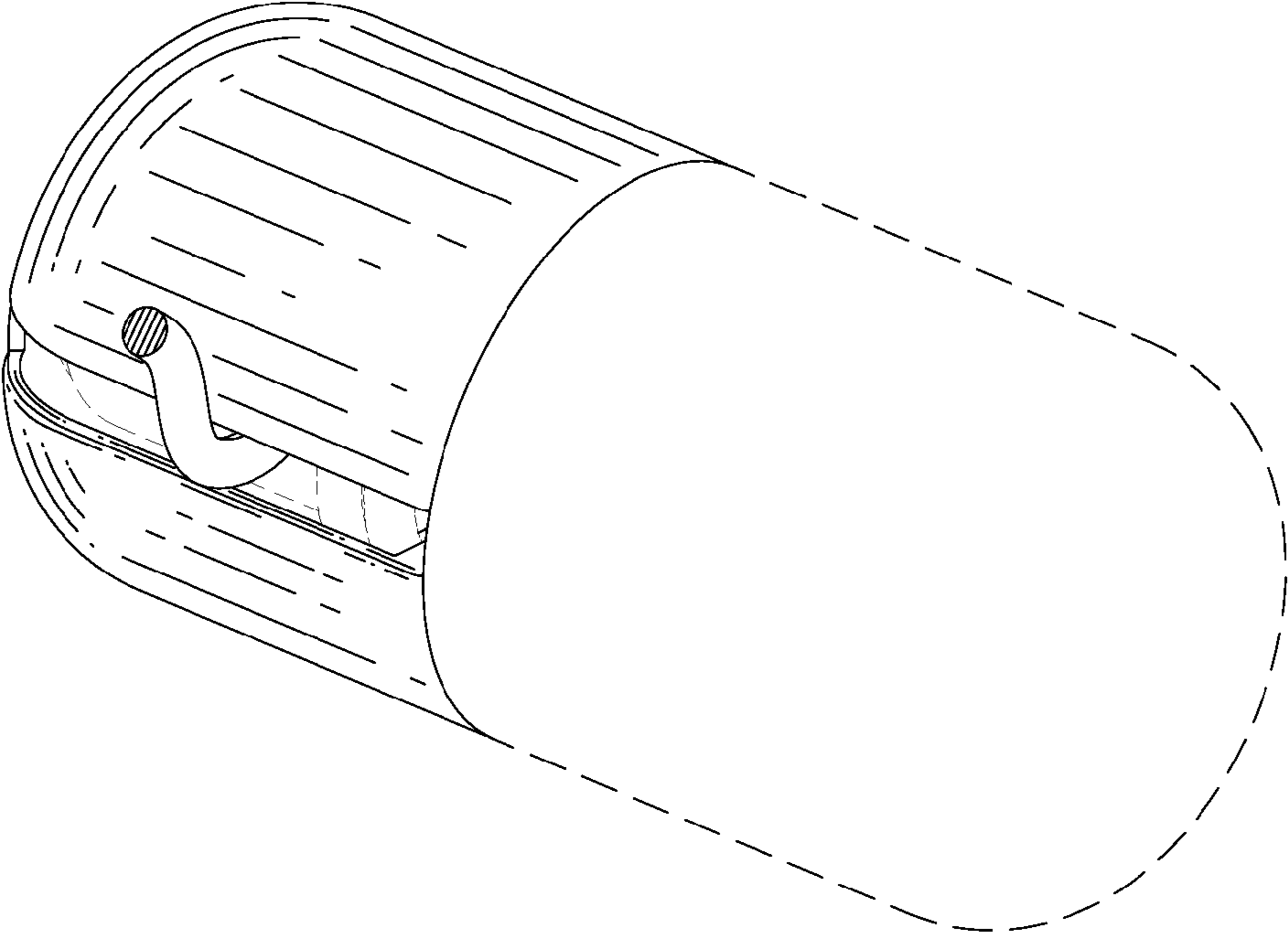


FIG. 9