



US00D635922S

(12) **United States Design Patent**  
**Sato**

(10) **Patent No.:** **US D635,922 S**

(45) **Date of Patent:** **\*\* Apr. 12, 2011**

(54) **SOCKET FOR PLUG**

(75) Inventor: **Genichi Sato**, Tokyo (JP)

(73) Assignee: **Sugatsune Kogyo Co., Ltd.**, Toyko (JP)

(\*\*) Term: **14 Years**

(21) Appl. No.: **29/347,904**

(22) Filed: **Jul. 21, 2010**

(30) **Foreign Application Priority Data**

Jan. 21, 2010 (JP) ..... 2010-001311

(51) **LOC (9) Cl.** ..... **13-03**

(52) **U.S. Cl.** ..... **D13/139.4**

(58) **Field of Classification Search** ..... D13/138.1,  
D13/138.2, 139.1, 139.2, 139.3, 139.4, 139.5,  
D13/139.6, 139.7, 139.8, 137.1, 137.2, 137.3,  
D13/137.4, 133, 146, 147, 151, 152, 153,  
D13/154, 107, 108, 110, 162, 170, 156; 363/15,  
363/34, 146; 439/93, 105, 119, 149, 225,  
439/521, 535, 583, 866, 919; D8/353; 174/493,  
174/494, 53, 59, 60, 66, 67; 320/111, 114,  
320/115

See application file for complete search history.

(56) **References Cited**

**U.S. PATENT DOCUMENTS**

D407,374 S \* 3/1999 Byrne ..... D13/139.4  
D457,137 S \* 5/2002 Gershfeld ..... D13/139.4  
D463,775 S \* 10/2002 Byrne ..... D13/139.4  
D465,201 S \* 11/2002 Gershfeld ..... D13/139.4  
D466,868 S \* 12/2002 Gershfeld ..... D13/139.4  
D477,280 S \* 7/2003 Gershfeld ..... D13/139.4  
D516,513 S \* 3/2006 Kissinger et al. .... D13/139.4

D556,139 S \* 11/2007 Gershfeld ..... D13/139.4  
D626,069 S \* 10/2010 Byrne ..... D13/139.4  
D626,070 S \* 10/2010 Byrne ..... D13/139.4  
2002/0092664 A1 \* 7/2002 Young et al. .... 174/66  
2007/0074890 A1 \* 4/2007 Halterman ..... 174/66  
2008/0277134 A1 \* 11/2008 Jolly ..... 174/67

\* cited by examiner

*Primary Examiner* — Angela J Lee

(74) *Attorney, Agent, or Firm* — Bacon & Thomas, PLLC

(57) **CLAIM**

The ornamental design for a socket for plug, as shown and described.

**DESCRIPTION**

FIG. 1 is a perspective view of a socket for plug embodying my new design;

FIG. 2 is a front view thereof;

FIG. 3 is a rear view thereof;

FIG. 4 is a top plan view thereof;

FIG. 5 is a bottom view thereof;

FIG. 6 is a left side view thereof;

FIG. 7 is a right side view thereof;

FIG. 8 is a sectional view along 8—8 thereof;

FIG. 9 is a sectional view along 9—9 thereof;

FIG. 10 is a perspective view in state of cover being closed thereof;

FIG. 11 is a front view in state of cover being closed thereof;

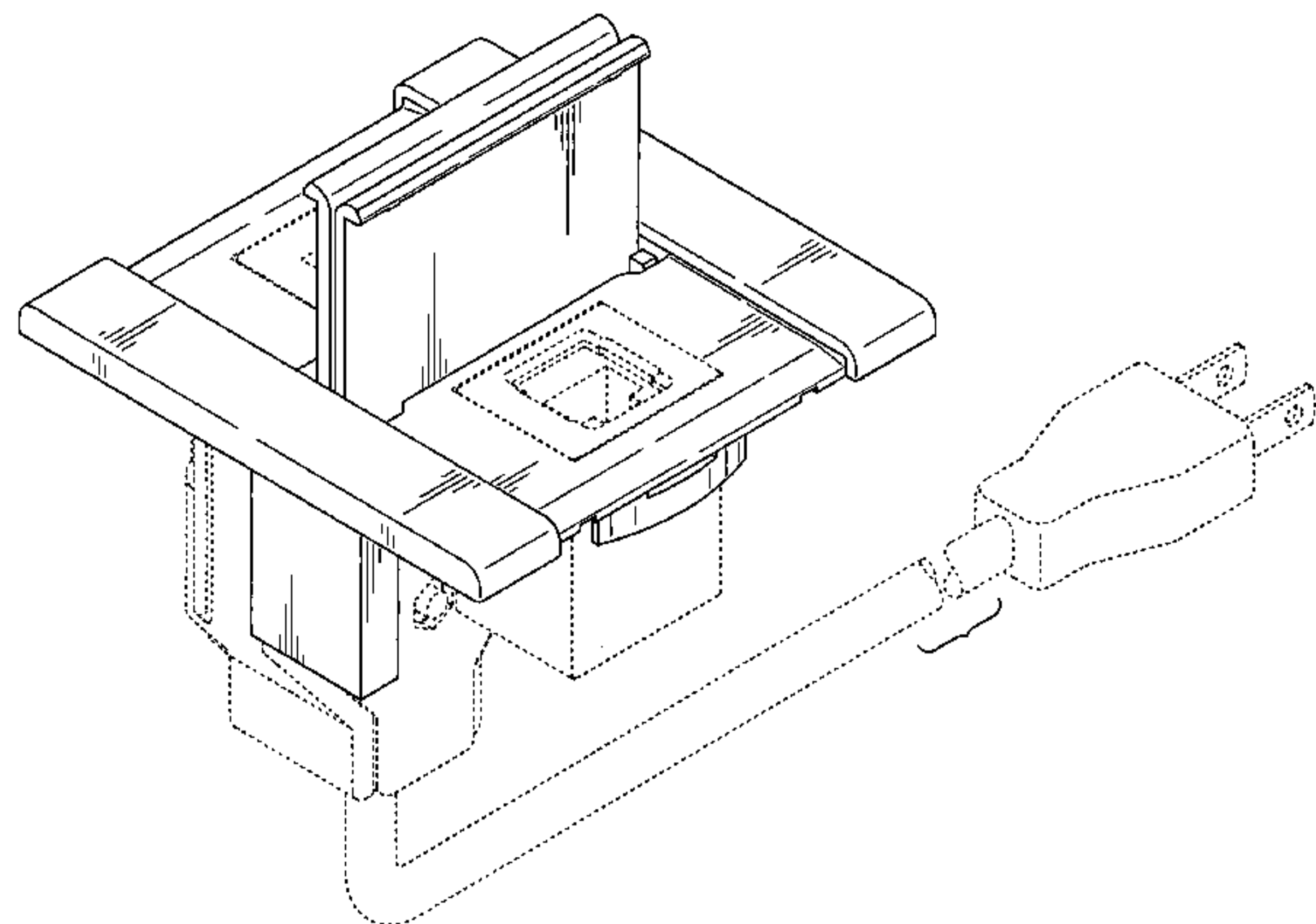
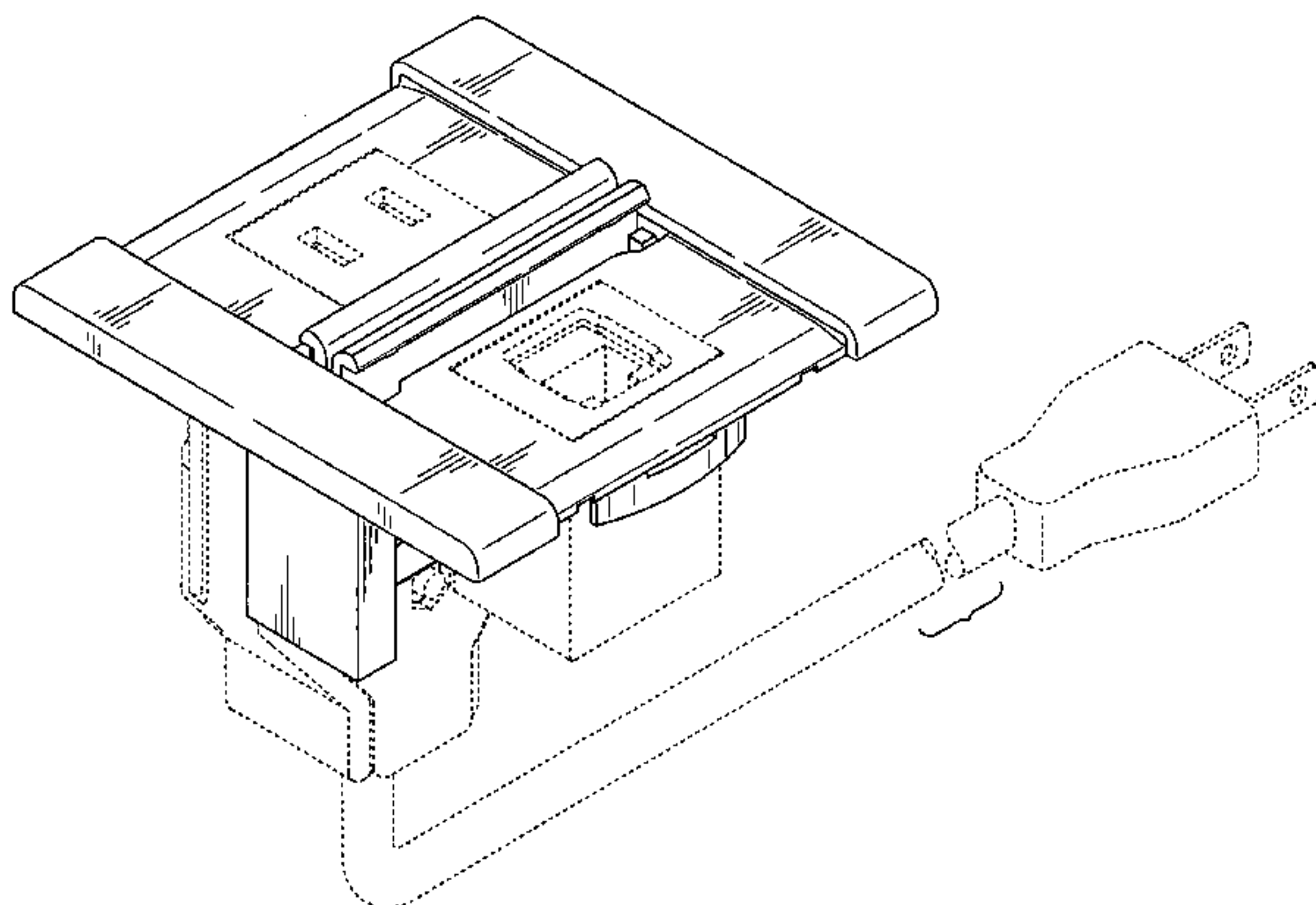
FIG. 12 is a bottom view in state of cover being closed thereof;

FIG. 13 is a perspective view in state of cover being en route to be opened or closed thereof; and,

FIG. 14 is a referential view showing use state thereof.

The environment and portions of the socket for plug shown in broken lines form no part of the claimed design.

**1 Claim, 13 Drawing Sheets**



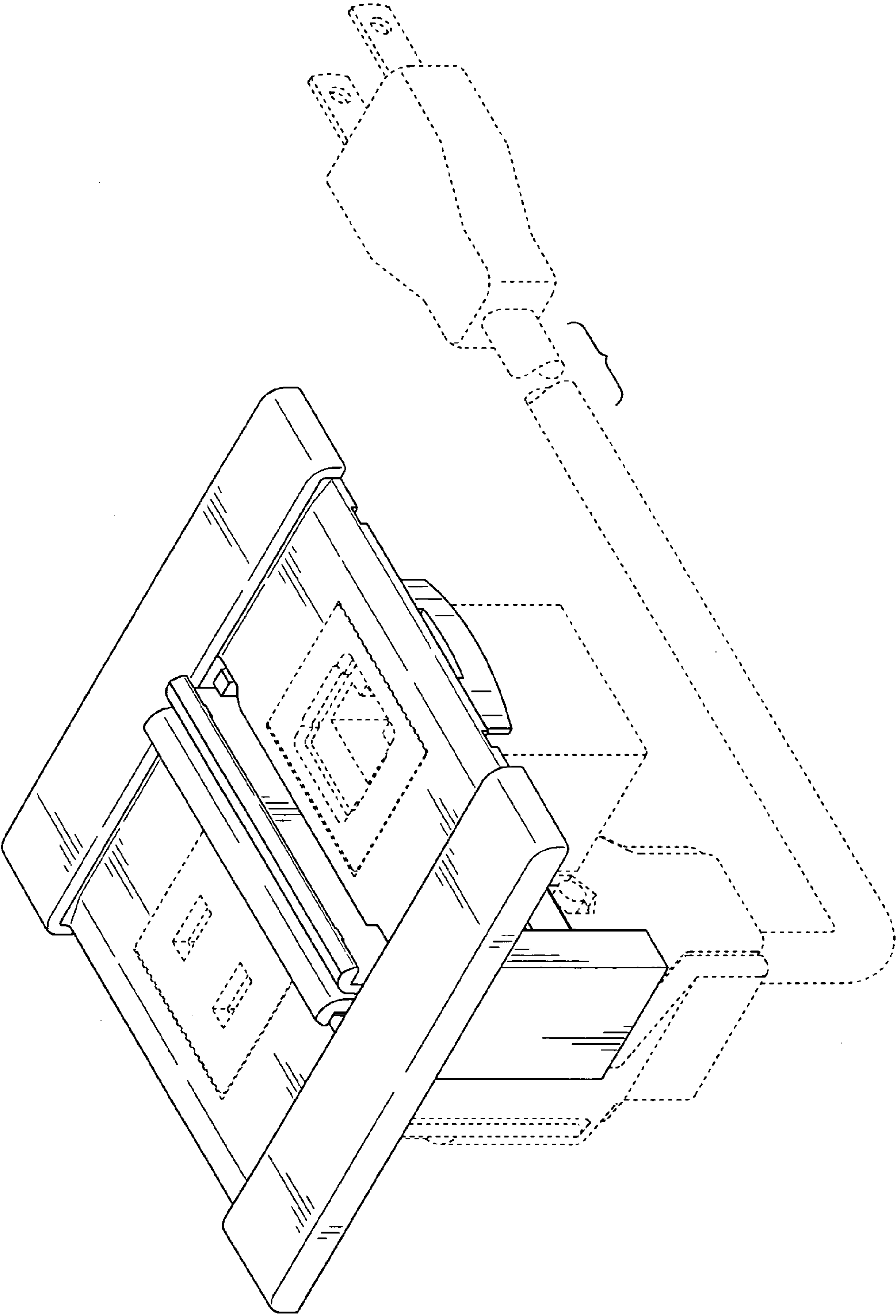


FIG. 1

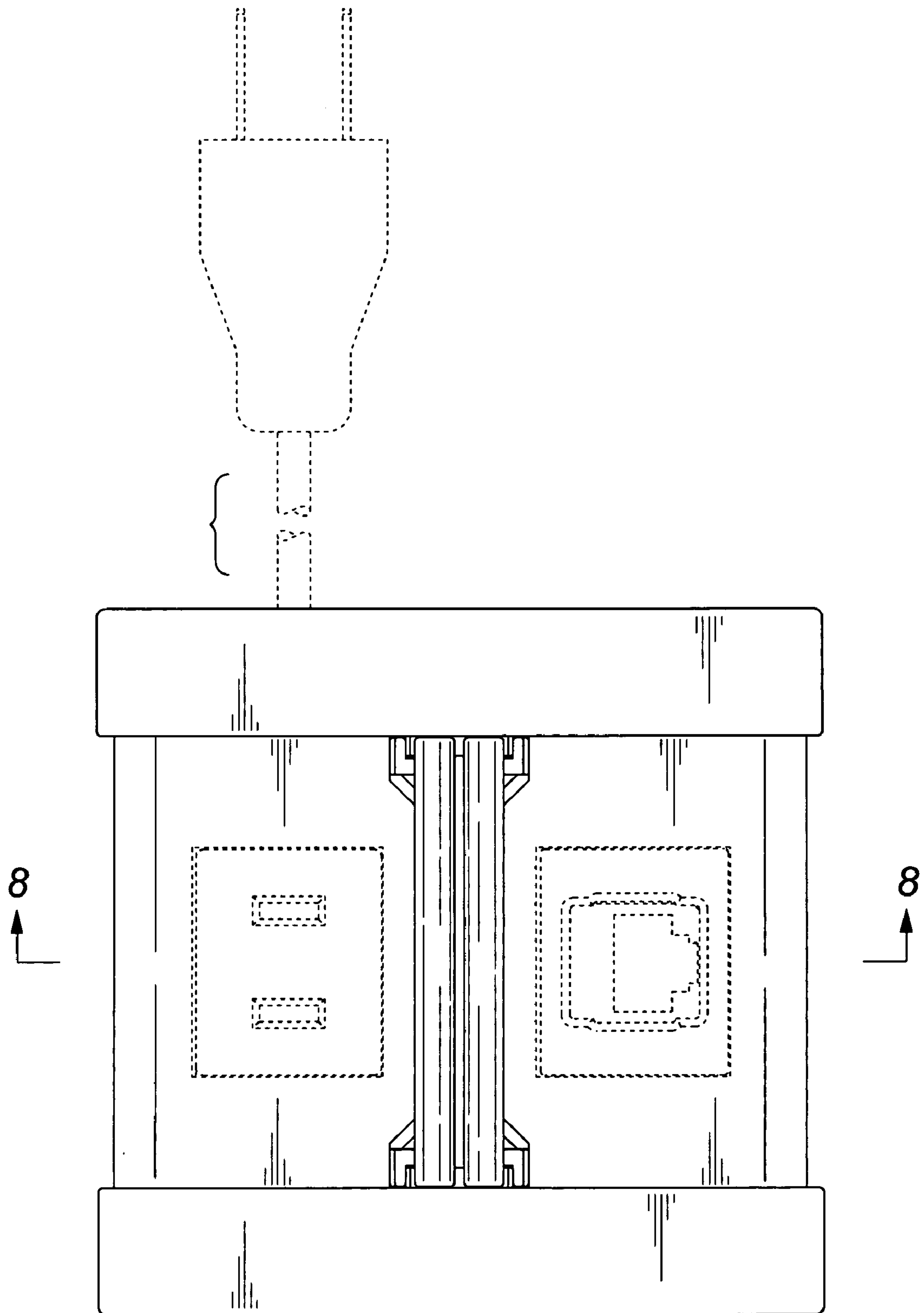


FIG. 2

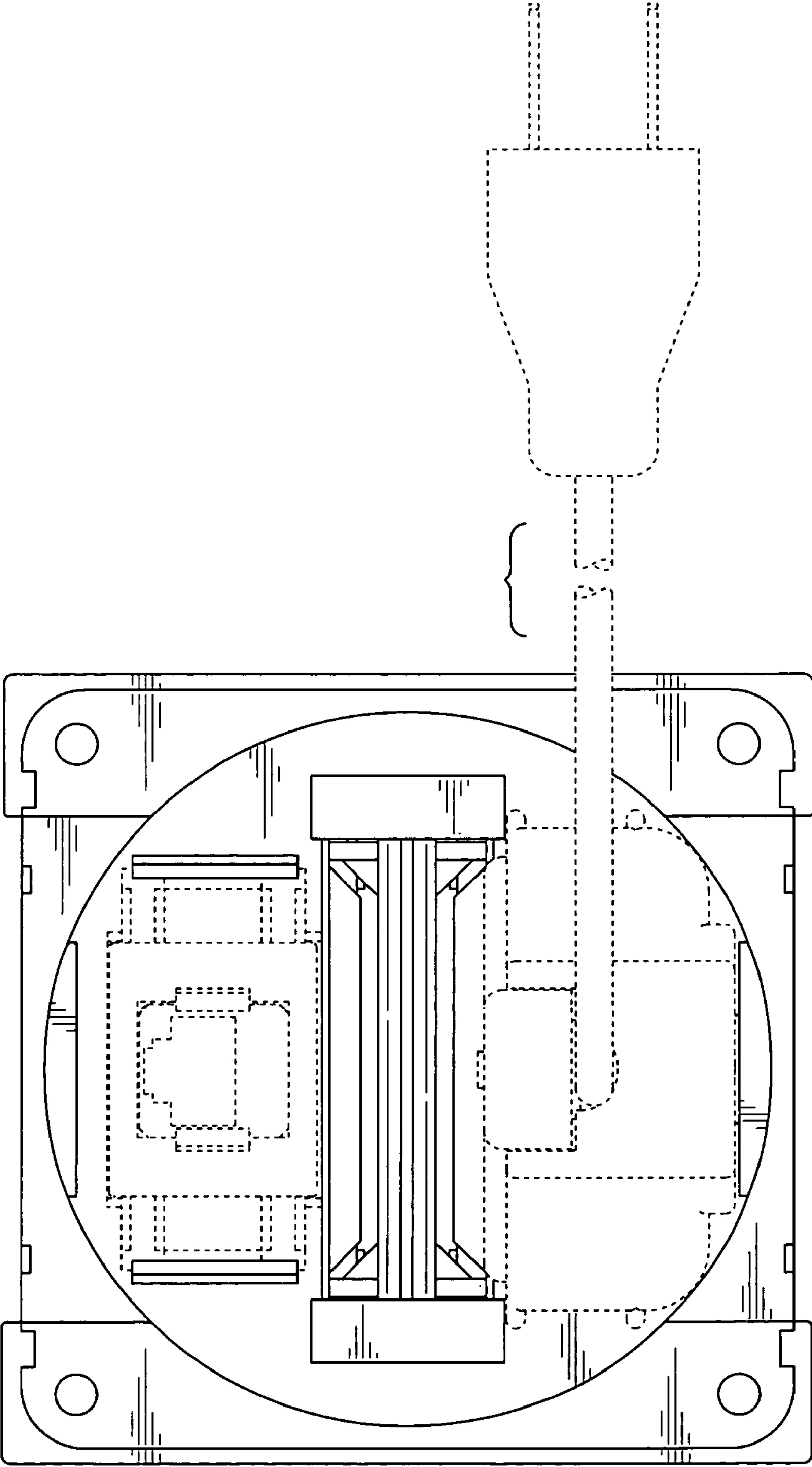
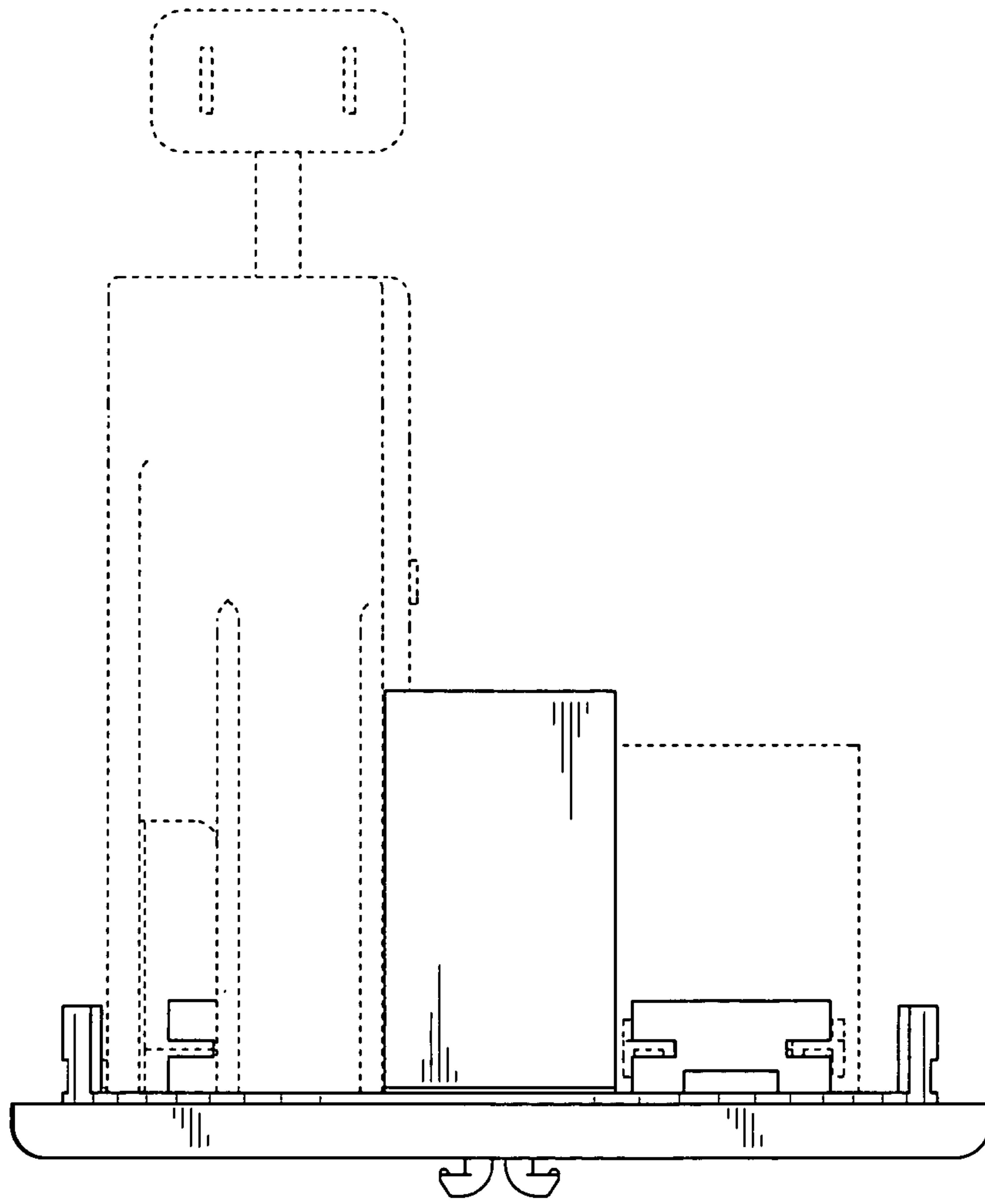
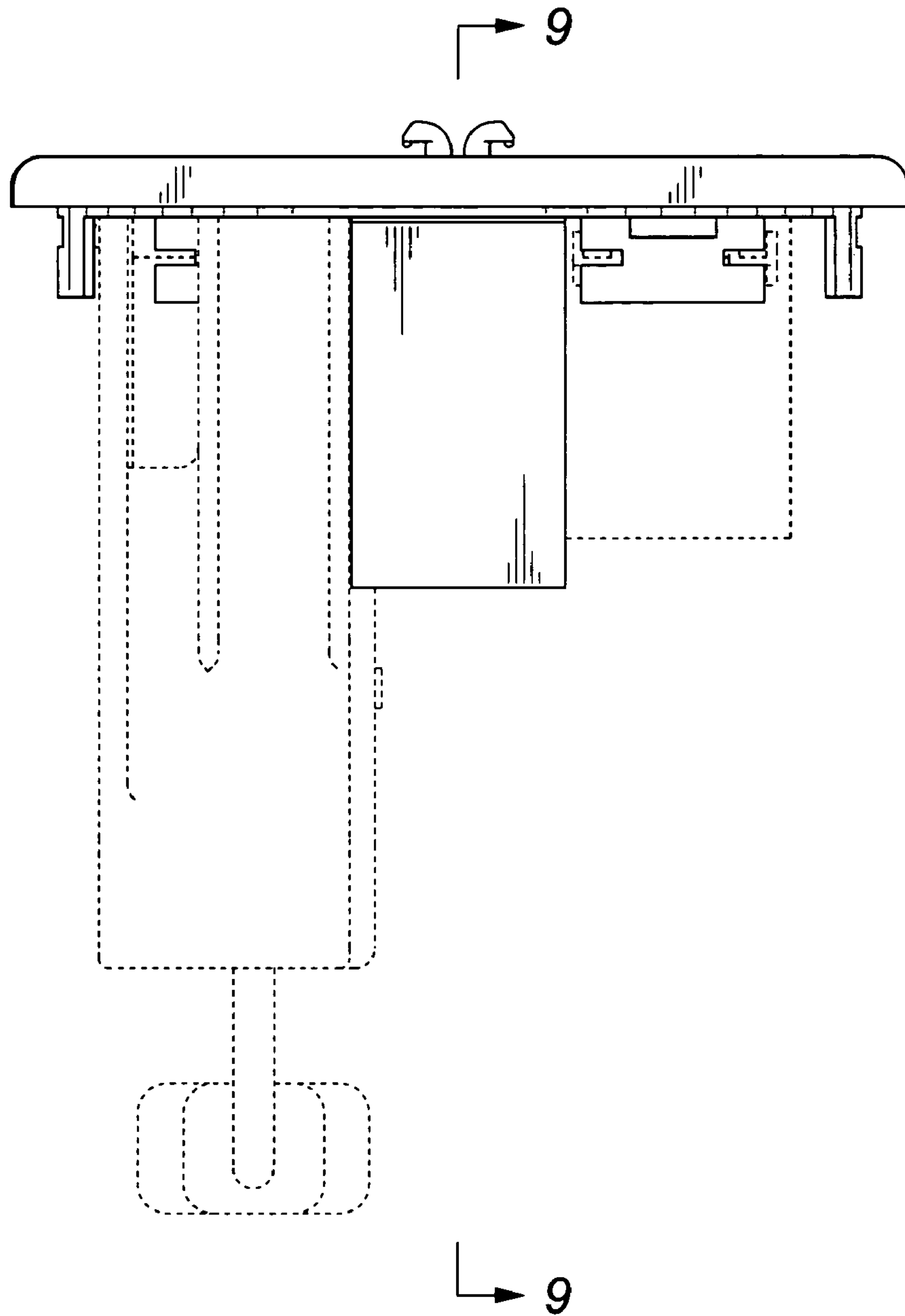


FIG. 3



**FIG. 4**



**FIG. 5**

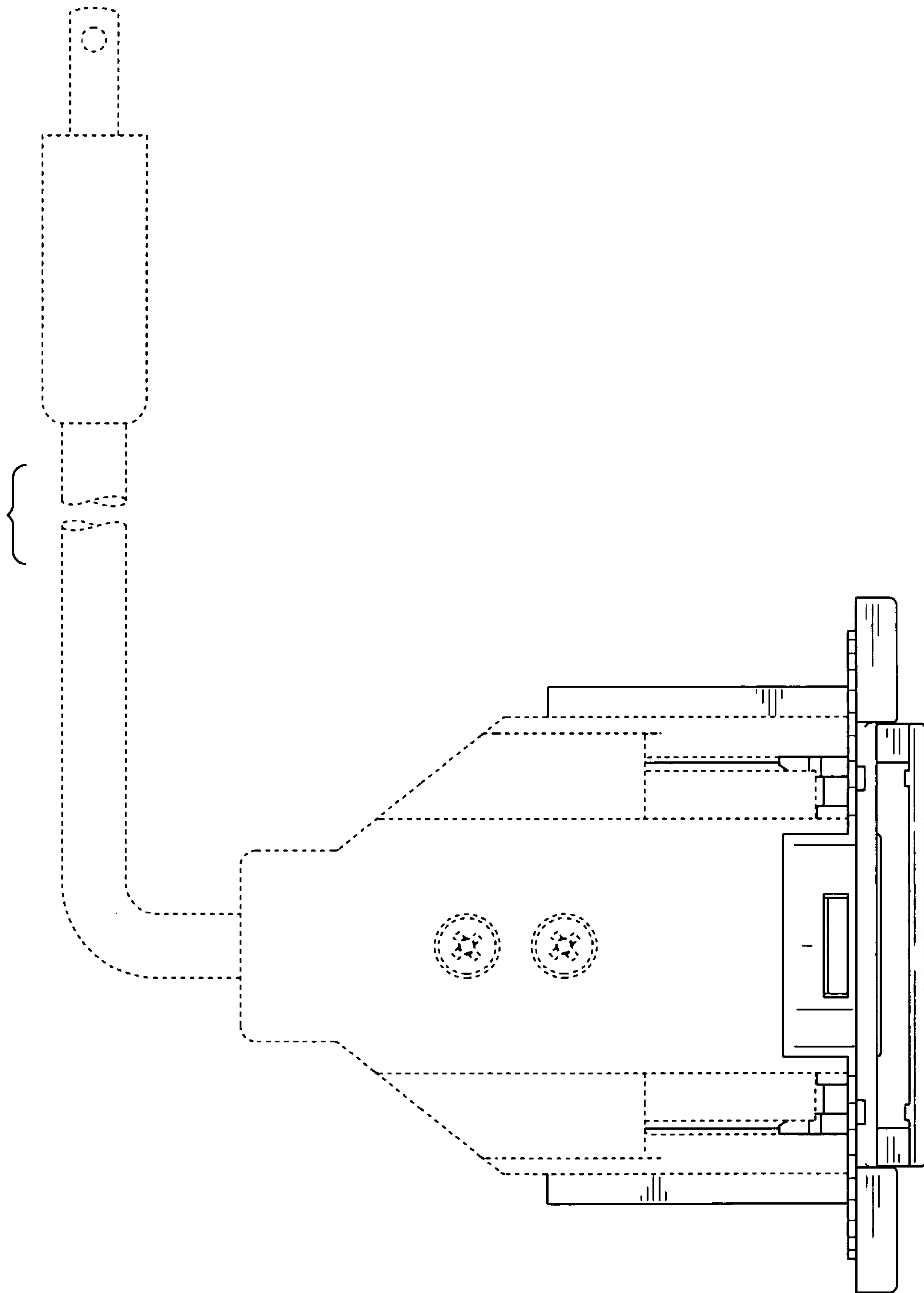


FIG. 6



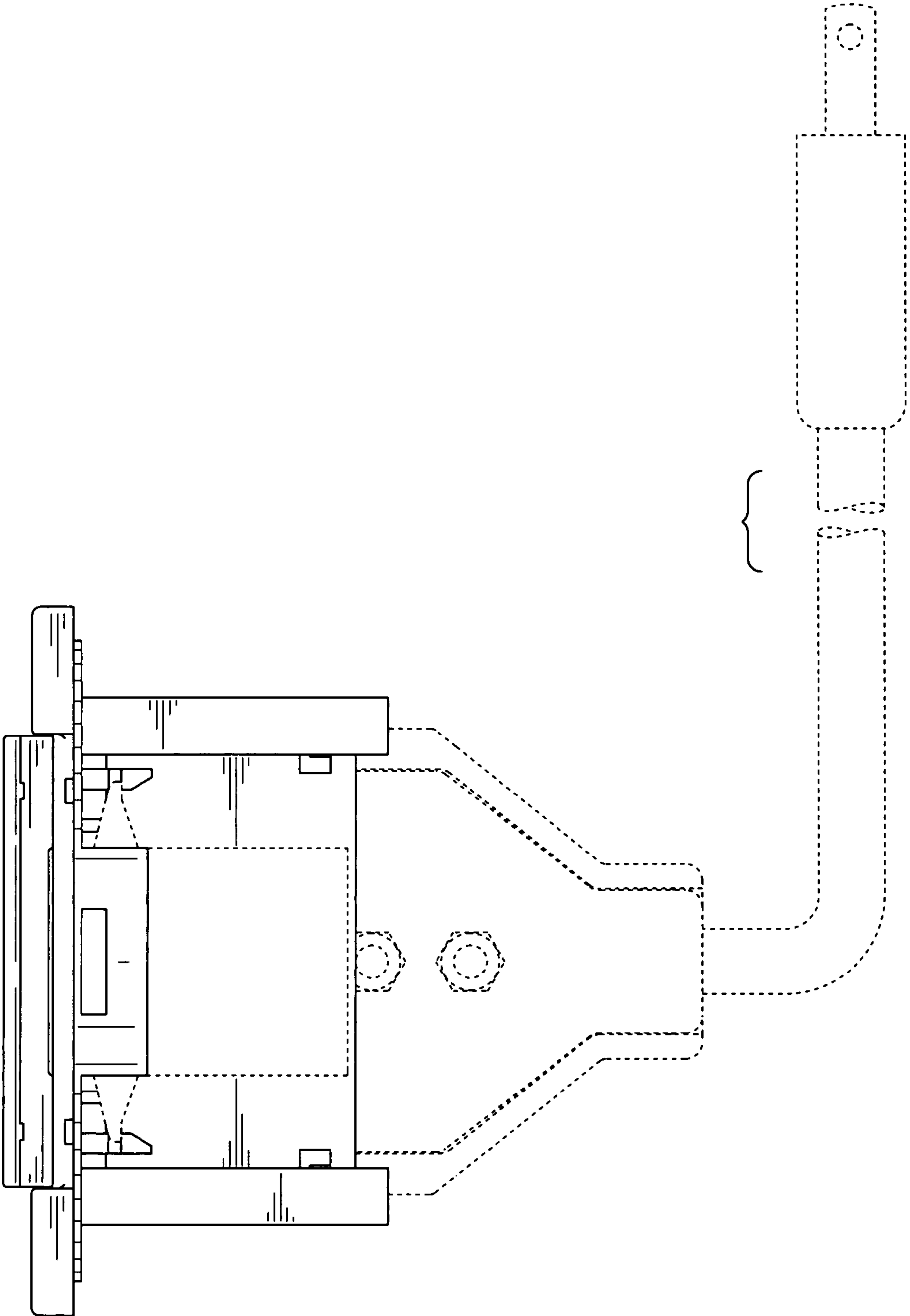
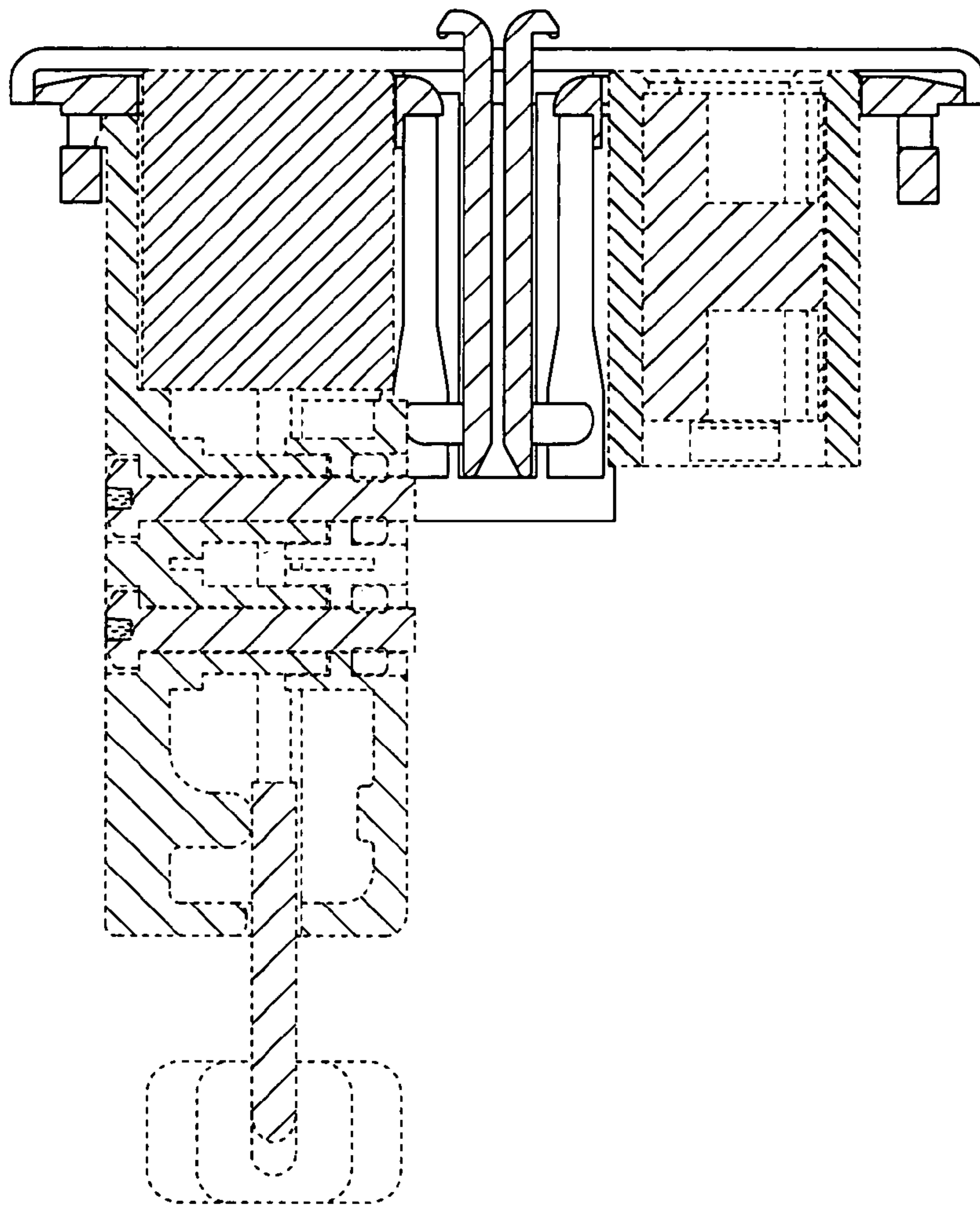
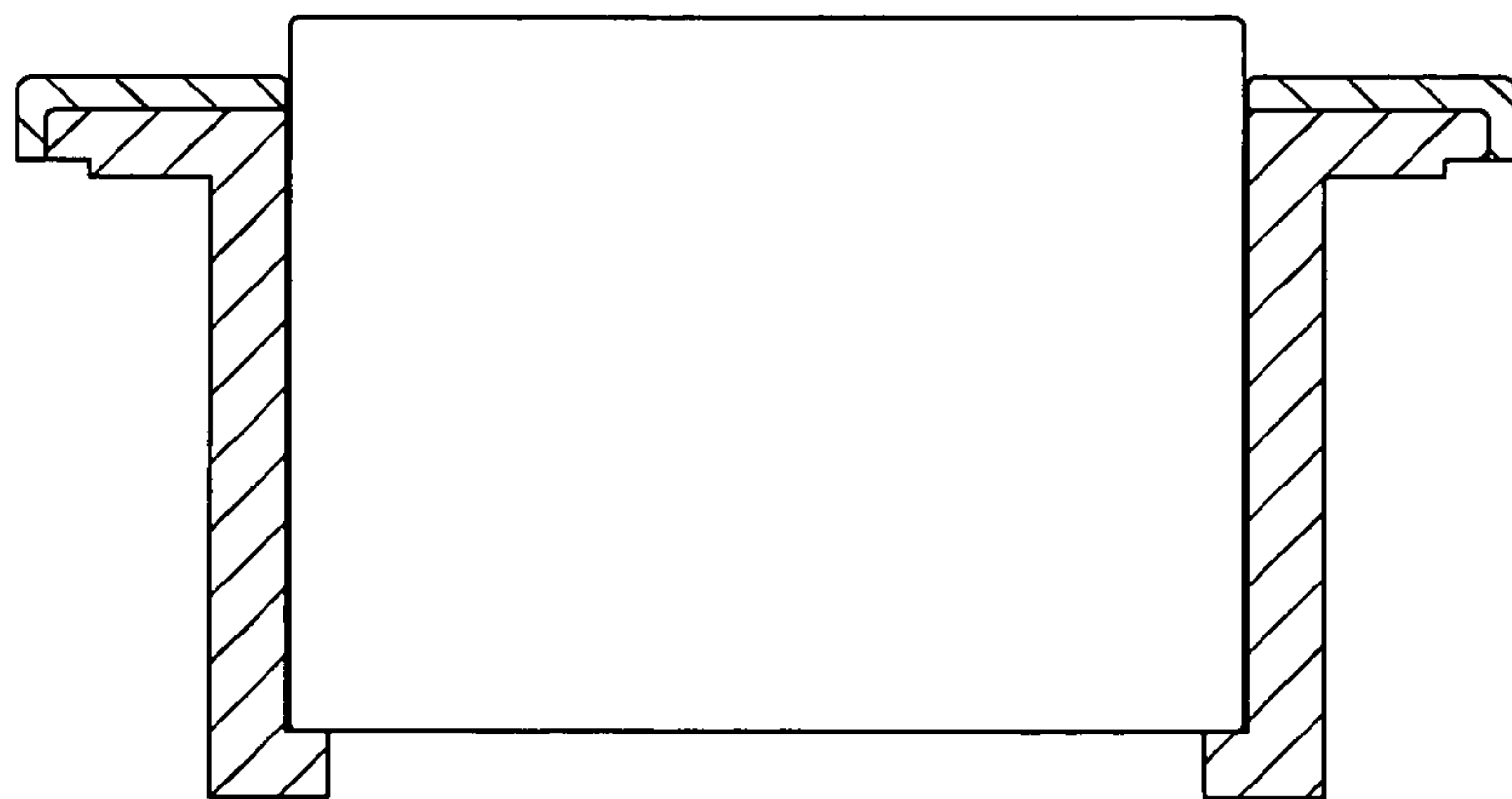


FIG. 7





**FIG. 8**



**FIG. 9**

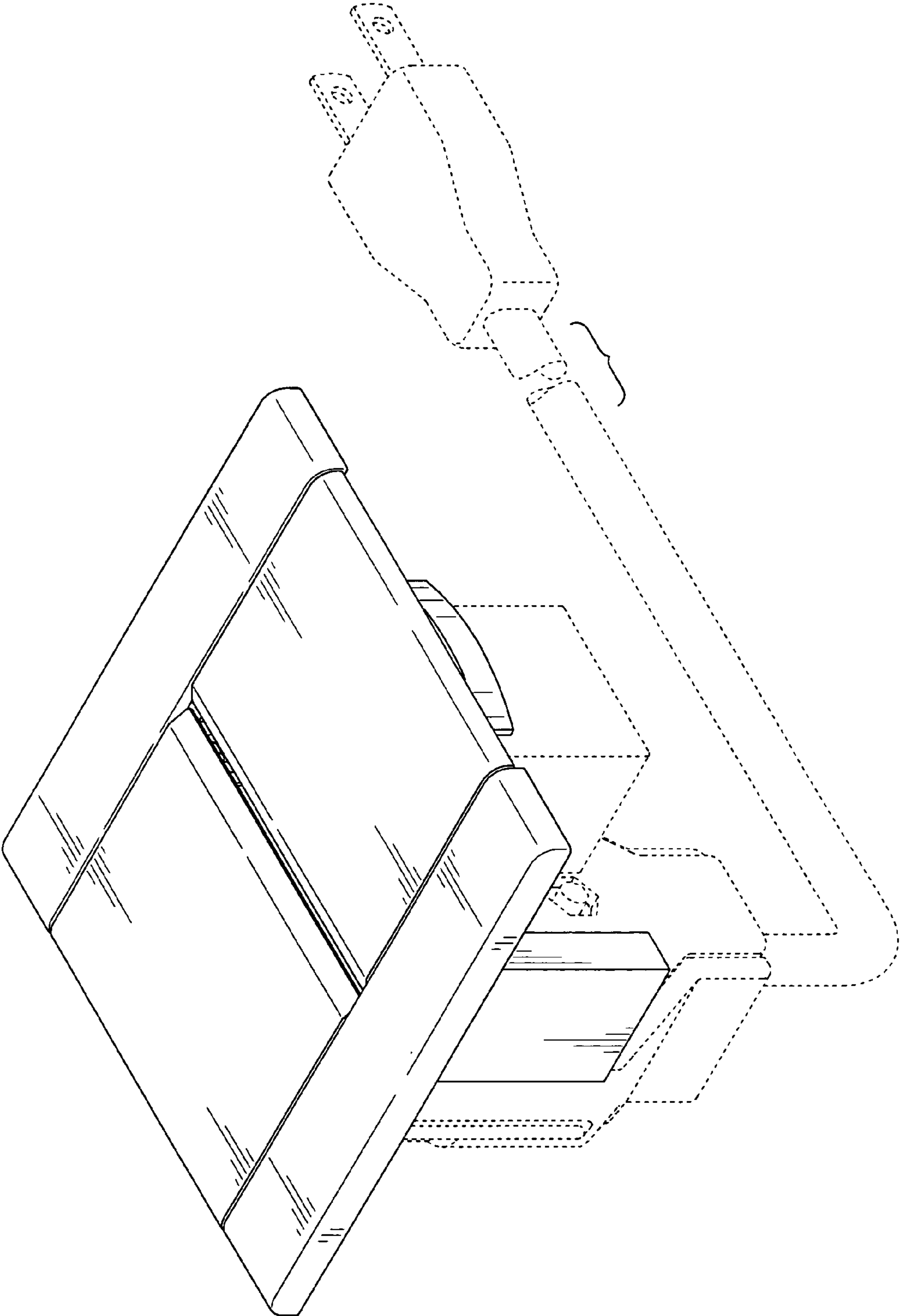
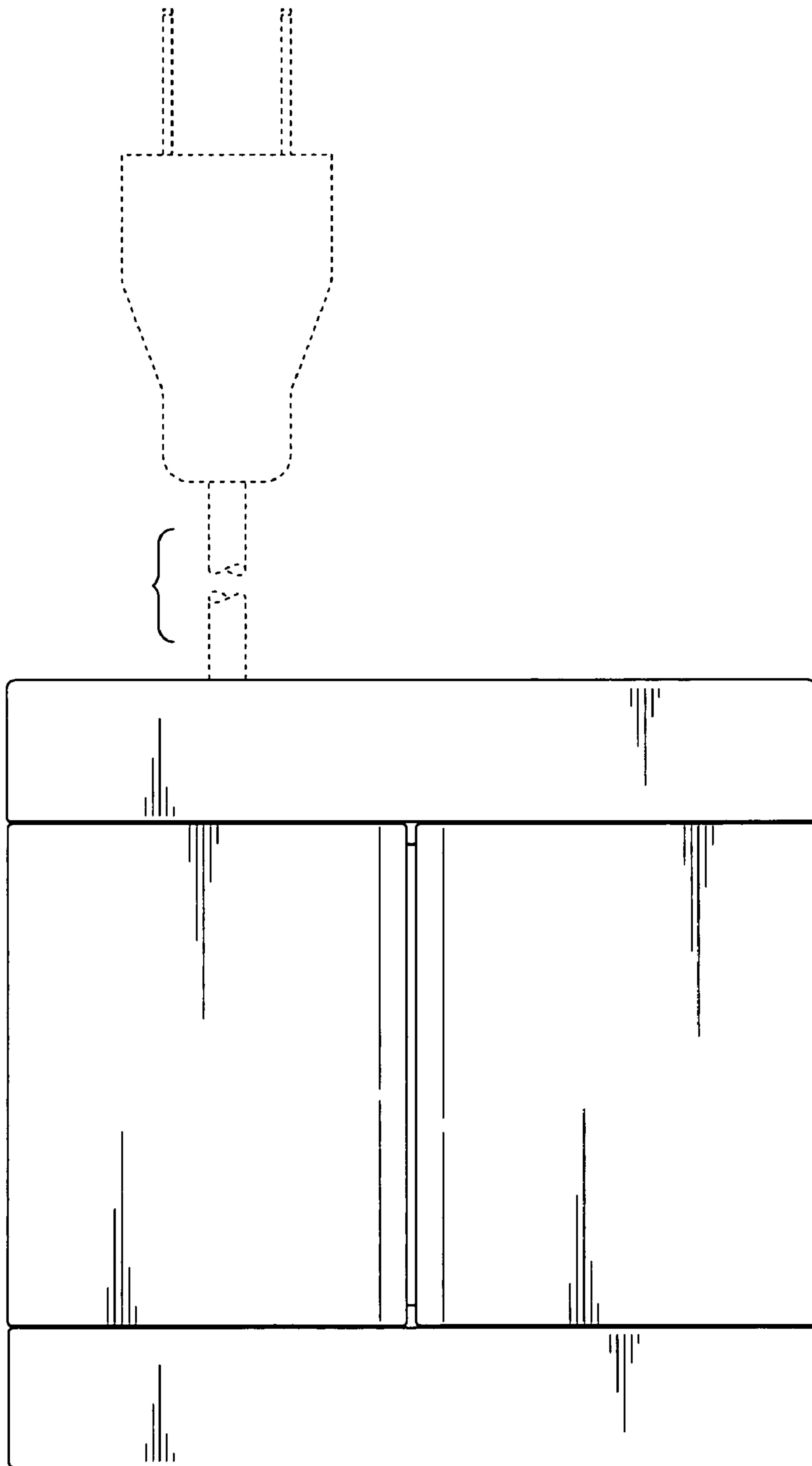
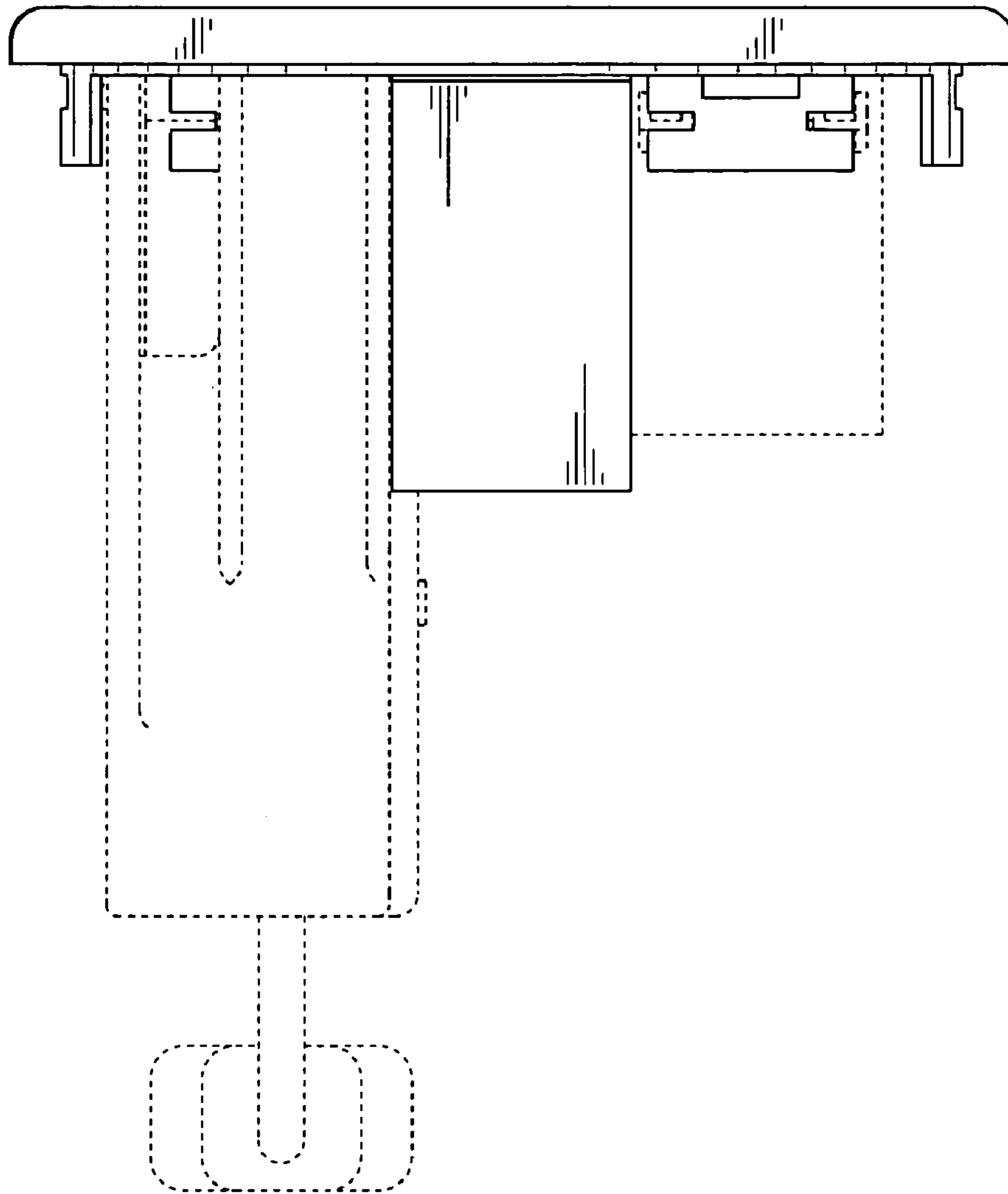


FIG. 10



**FIG. 11**



**FIG. 12**

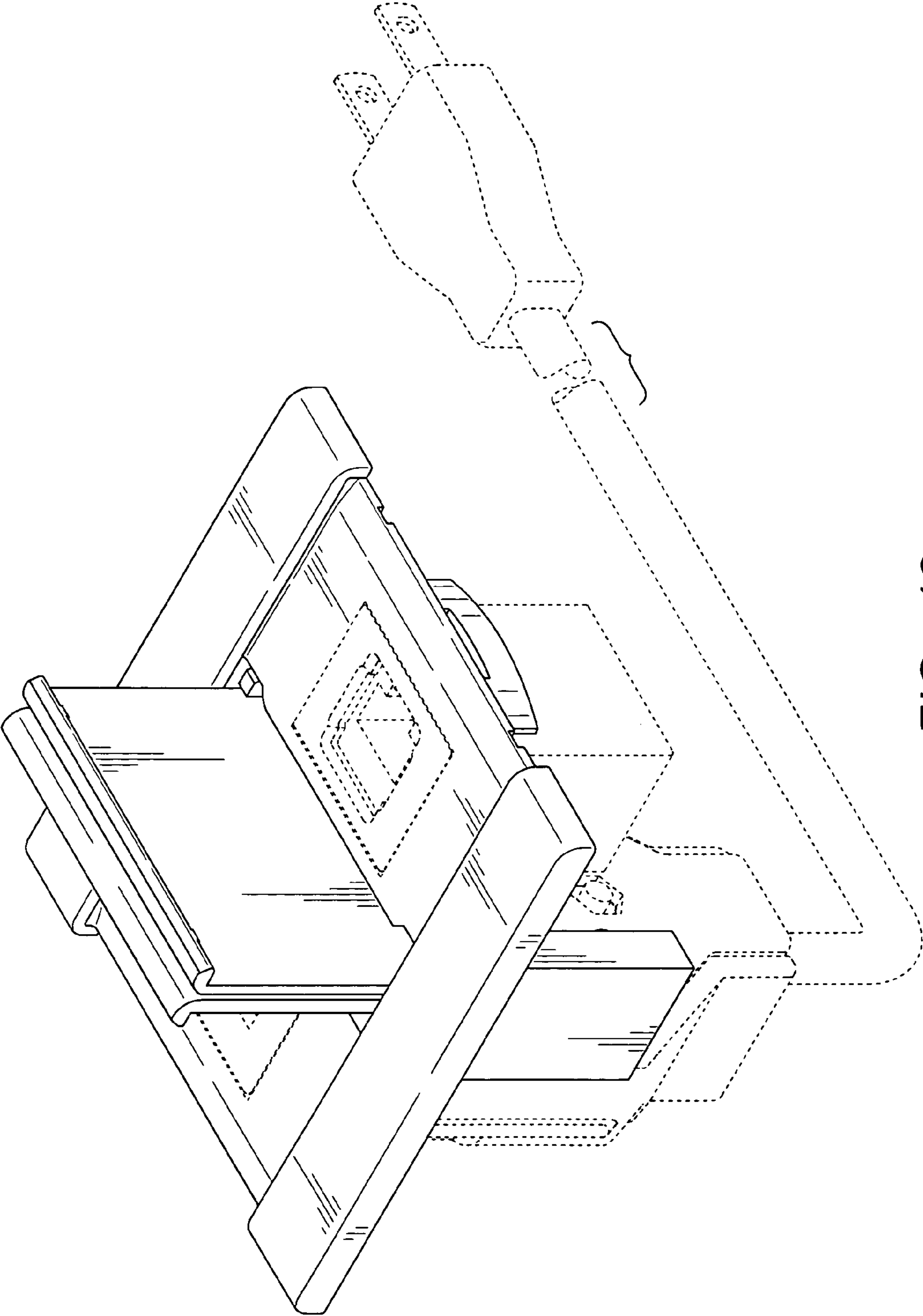
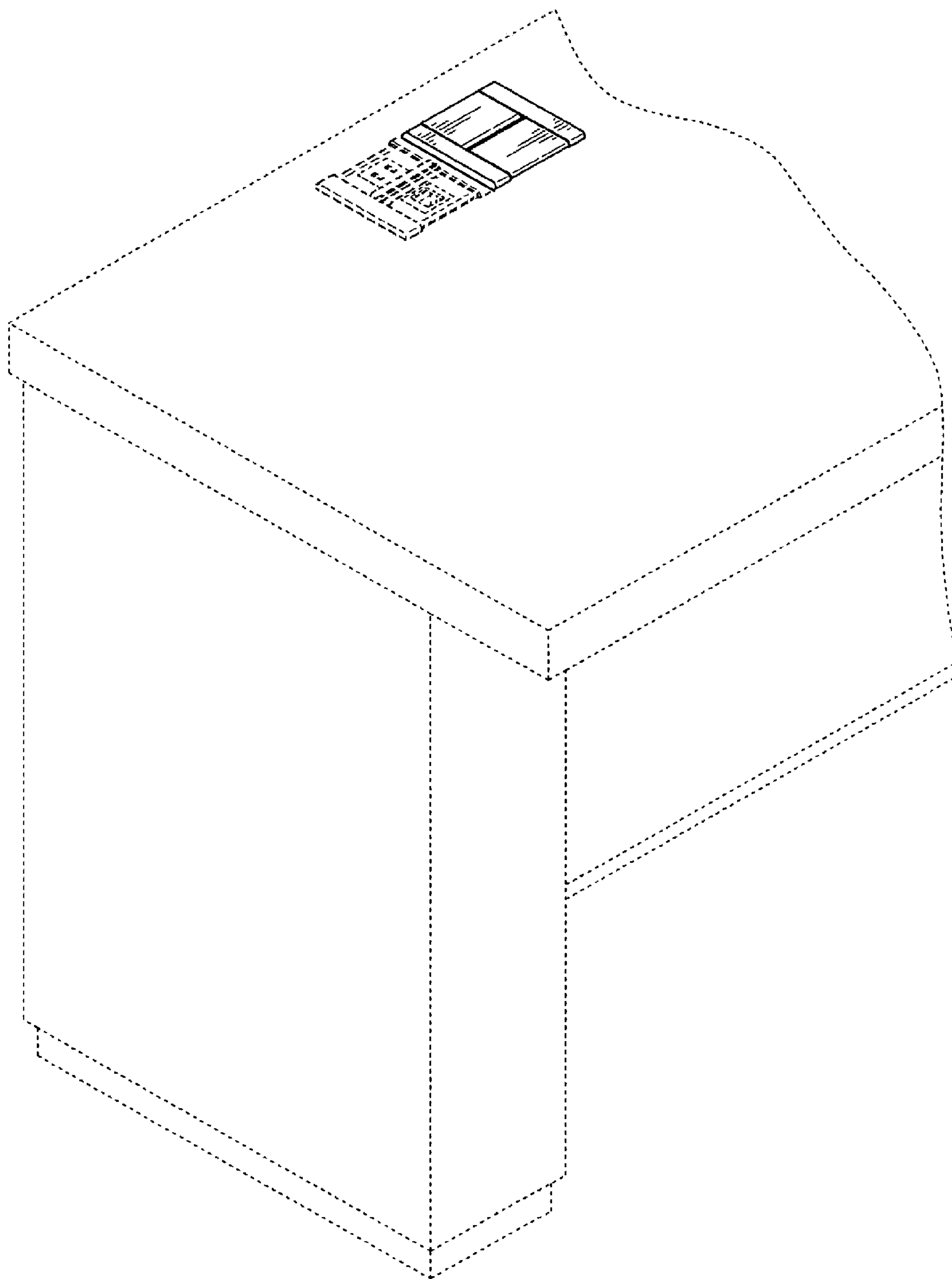


FIG. 13



**FIG. 14**