



US00D635921S

(12) **United States Design Patent**
Sato

(10) **Patent No.:** **US D635,921 S**

(45) **Date of Patent:** **** Apr. 12, 2011**

(54) **SOCKET FOR PLUG**

(75) Inventor: **Genichi Sato**, Tokyo (JP)

(73) Assignee: **Sugatsune Kogyo Co., Ltd.**, Tokyo (JP)

(**) Term: **14 Years**

(21) Appl. No.: **29/347,903**

(22) Filed: **Jul. 21, 2010**

(30) **Foreign Application Priority Data**

Jan. 21, 2010 (JP) 2010-001308

(51) **LOC (9) Cl.** **13-03**

(52) **U.S. Cl.** **D13/139.4**

(58) **Field of Classification Search** D13/138.1,
D13/138.2, 139.1, 139.2, 139.3, 139.4, 139.5,
D13/139.6, 139.7, 139.8, 137.1, 137.2, 137.3,
D13/137.4, 133, 146, 147, 151, 152, 153,
D13/154, 107, 108, 110, 162, 170, 156; 363/15,
363/34, 146; 439/93, 105, 119, 149, 225,
439/521, 535, 583, 866, 919; D8/353; 174/493,
174/494, 53, 59, 60, 66, 67; 320/111, 114,
320/115

See application file for complete search history.

(56) **References Cited**

U.S. PATENT DOCUMENTS

D405,051 S * 2/1999 Byrne D13/139.4
D412,698 S * 8/1999 Byrne D13/139.4
6,028,267 A * 2/2000 Byrne 174/59
D455,123 S * 4/2002 Gershfeld D13/139.4
D455,716 S * 4/2002 Gershfeld D13/139.4
D465,201 S * 11/2002 Gershfeld D13/139.4
D466,868 S * 12/2002 Gershfeld D13/139.4
D556,139 S * 11/2007 Gershfeld D13/139.4

D626,069 S * 10/2010 Byrne D13/139.4
D626,070 S * 10/2010 Byrne D13/139.4
2002/0092664 A1 * 7/2002 Young et al. 174/66
2007/0074890 A1 * 4/2007 Halterman 174/66
2008/0277134 A1 * 11/2008 Jolly 174/67

FOREIGN PATENT DOCUMENTS

JP D1221859 * 11/2004
JP D1250739 * 9/2005

* cited by examiner

Primary Examiner — Angela J Lee

(74) *Attorney, Agent, or Firm* — Bacon & Thomas, PLLC

(57) **CLAIM**

The ornamental design for a socket for plug, as shown and described.

DESCRIPTION

FIG. 1 is a perspective view of a socket for plug embodying my new design;

FIG. 2 is a front view thereof;

FIG. 3 is a rear view thereof;

FIG. 4 is a top plan view thereof;

FIG. 5 is a right side view thereof;

FIG. 6 is a sectional view along 6—6 thereof;

FIG. 7 is a sectional view along 7—7 thereof;

FIG. 8 is a perspective view in state of cover being closed thereof;

FIG. 9 is a front view in state of cover being closed thereof;

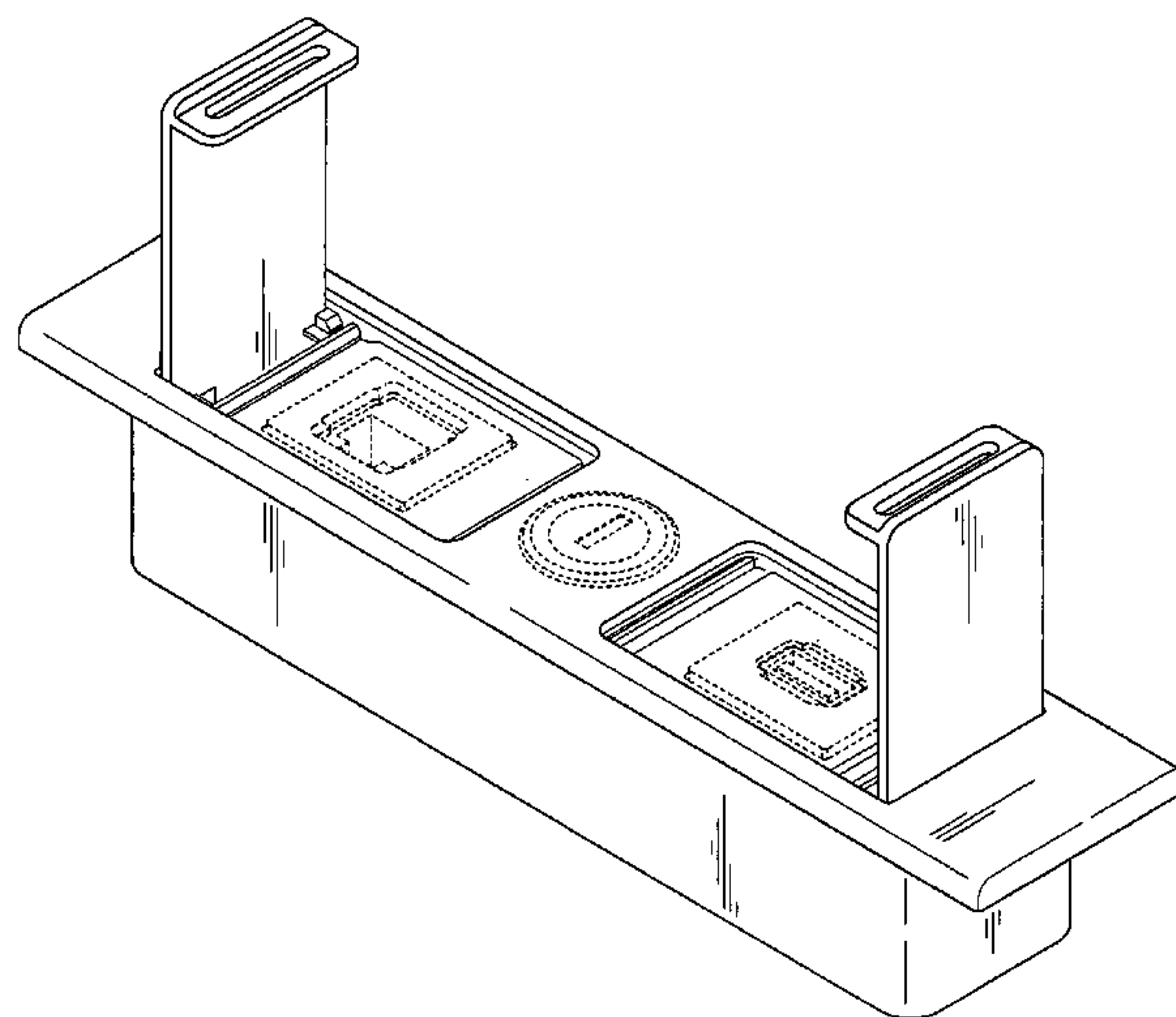
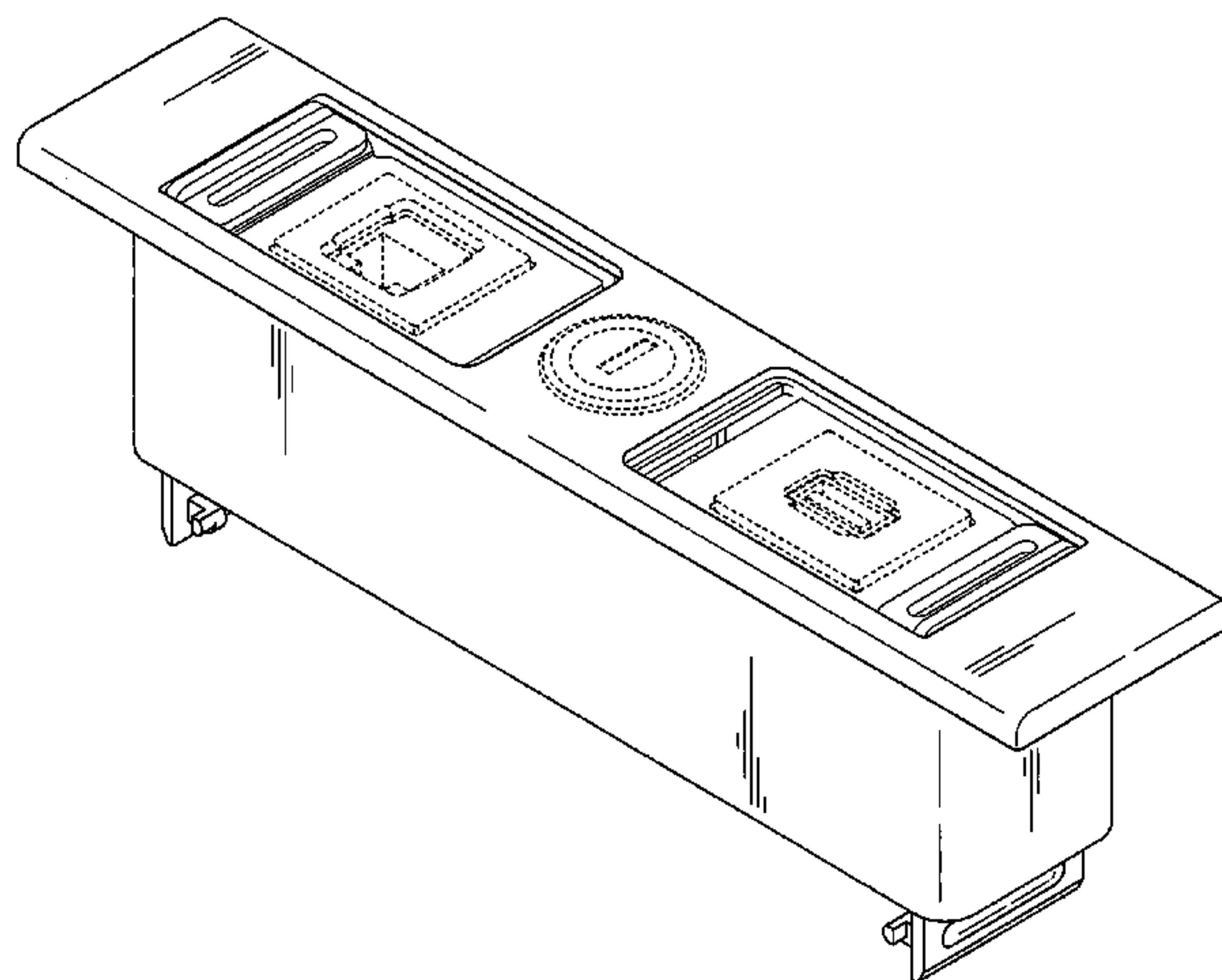
FIG. 10 is a top plan view in state of cover being closed thereof;

FIG. 11 is a perspective view in state of cover being en route to be opened or closed thereof; and,

FIG. 12 is a referential view showing use state thereof.

The environment and portions of the socket for plug shown in broken lines form no part of the claimed design.

1 Claim, 8 Drawing Sheets



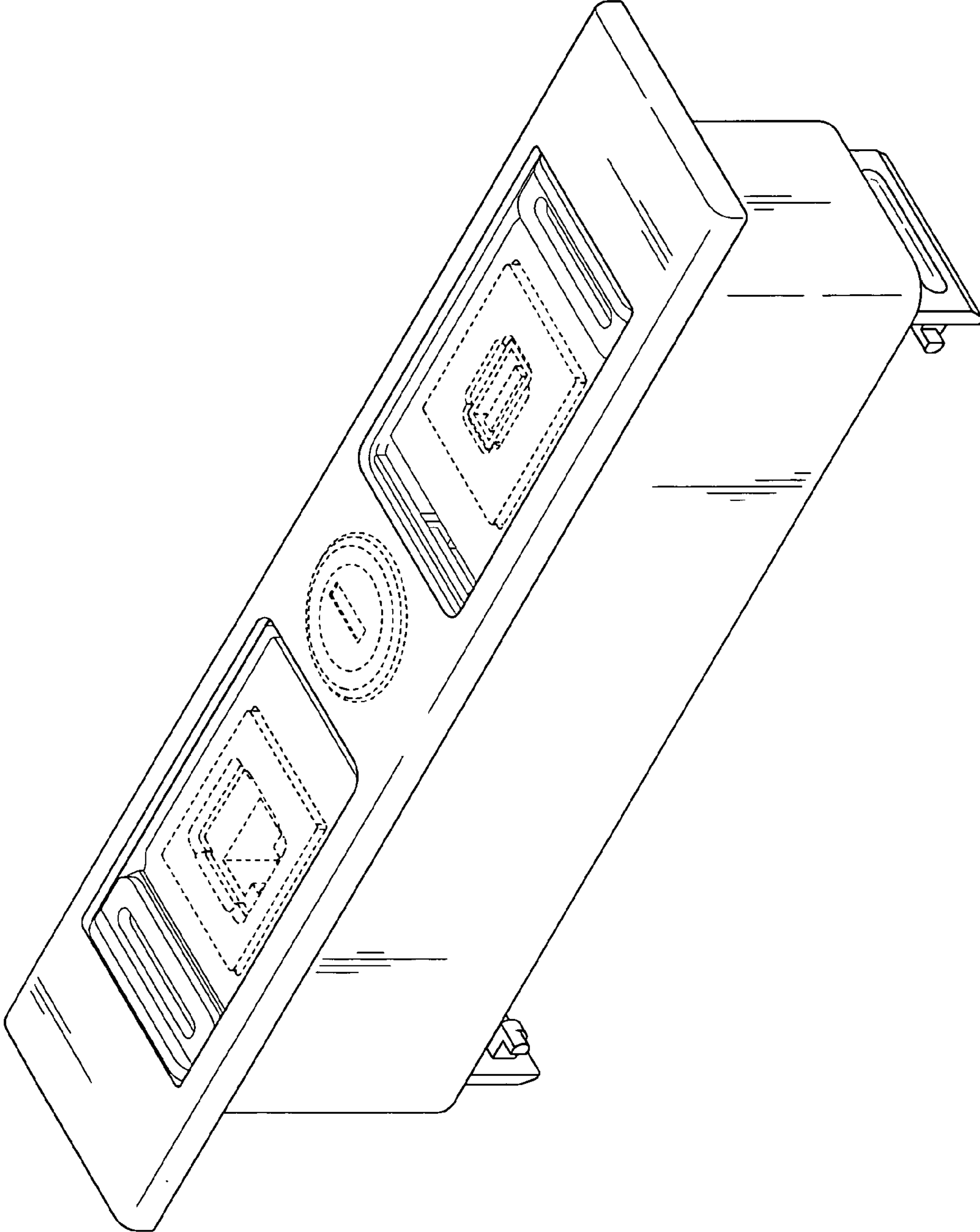


FIG. 1

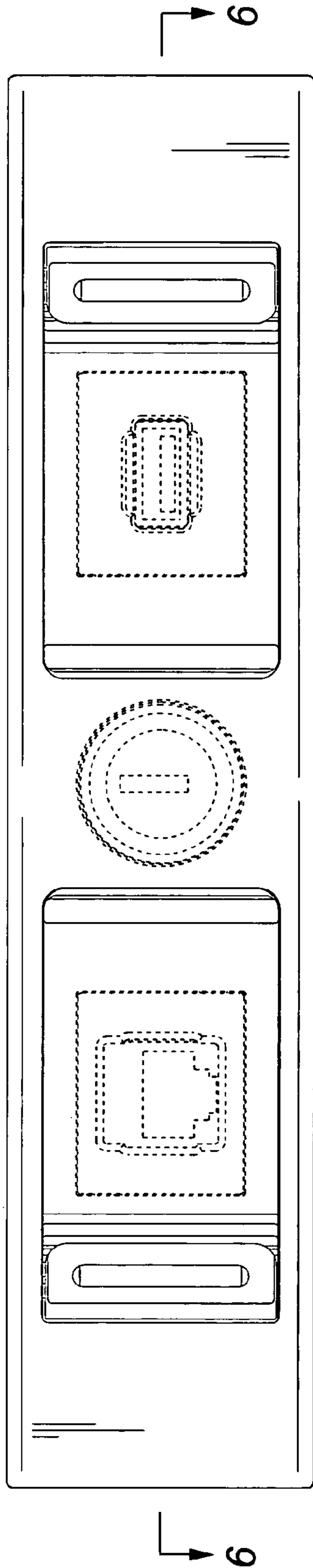


FIG. 2

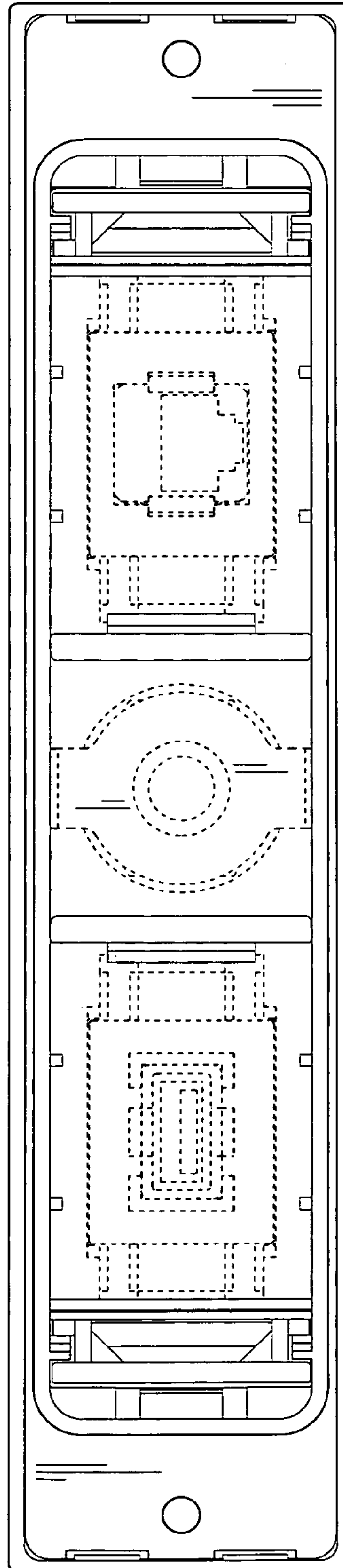


FIG. 3

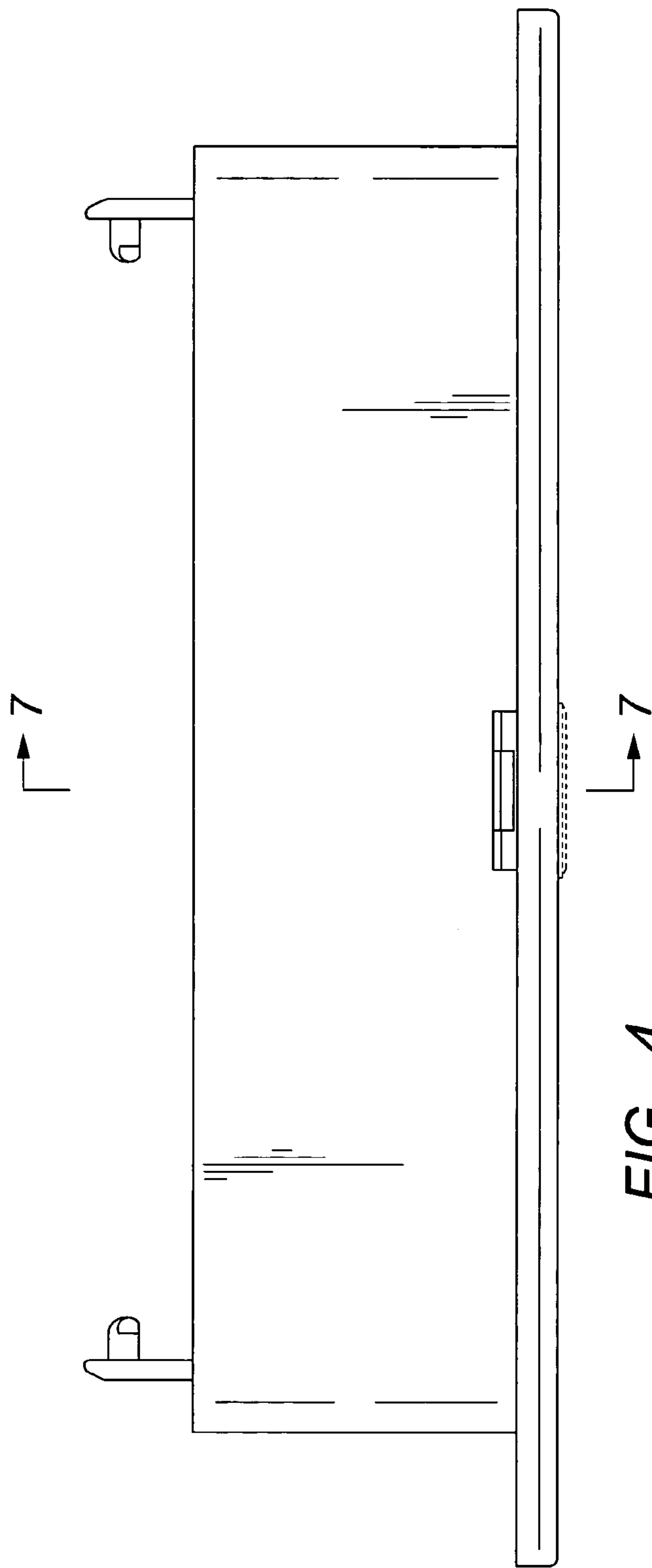


FIG. 4

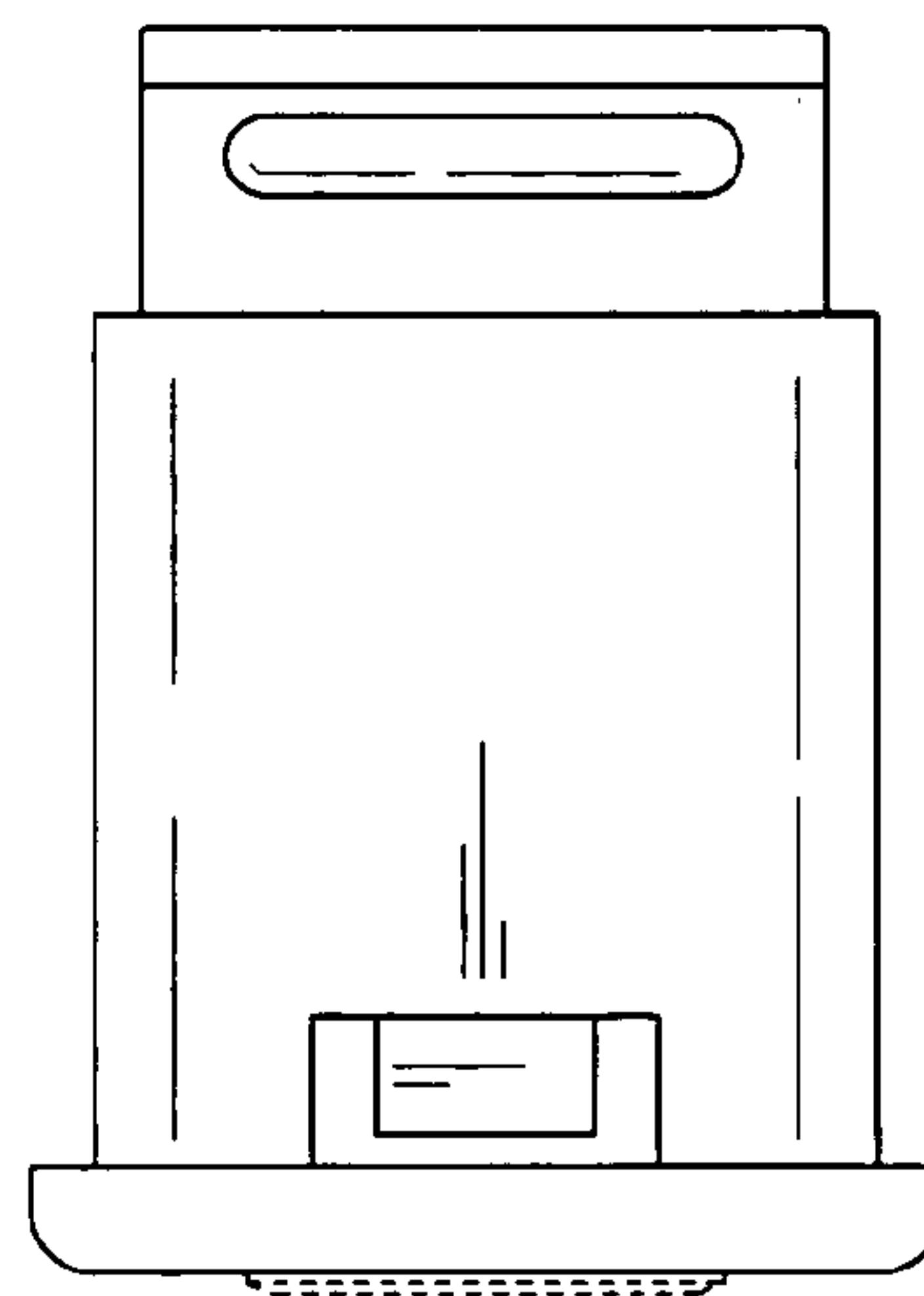


FIG. 5

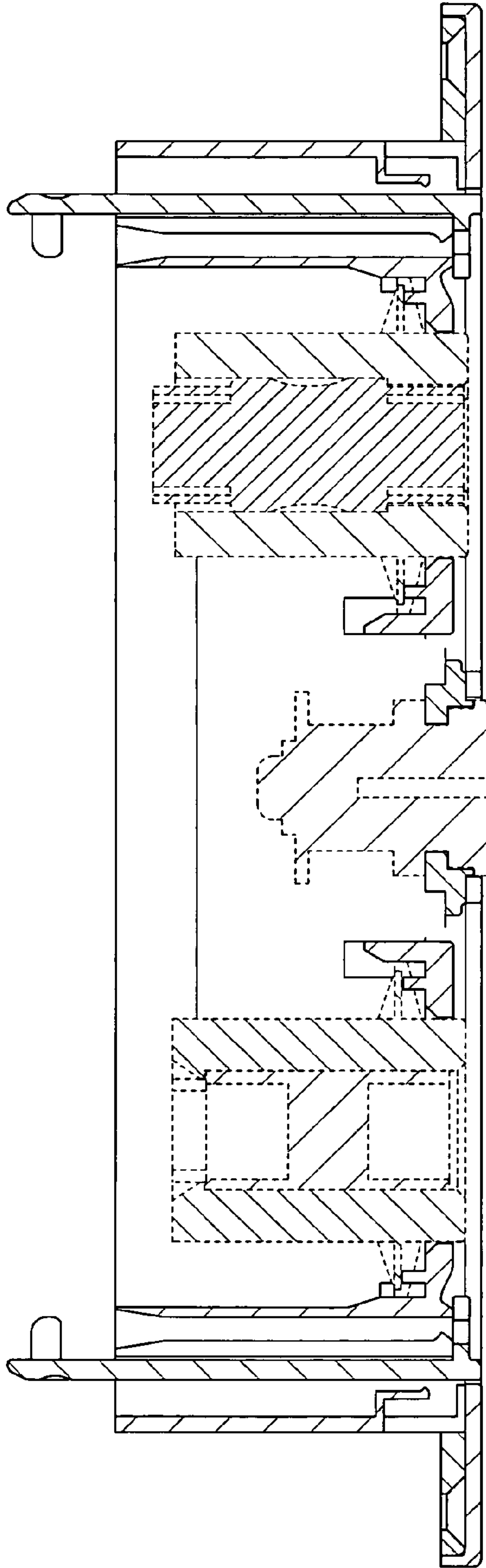


FIG. 6

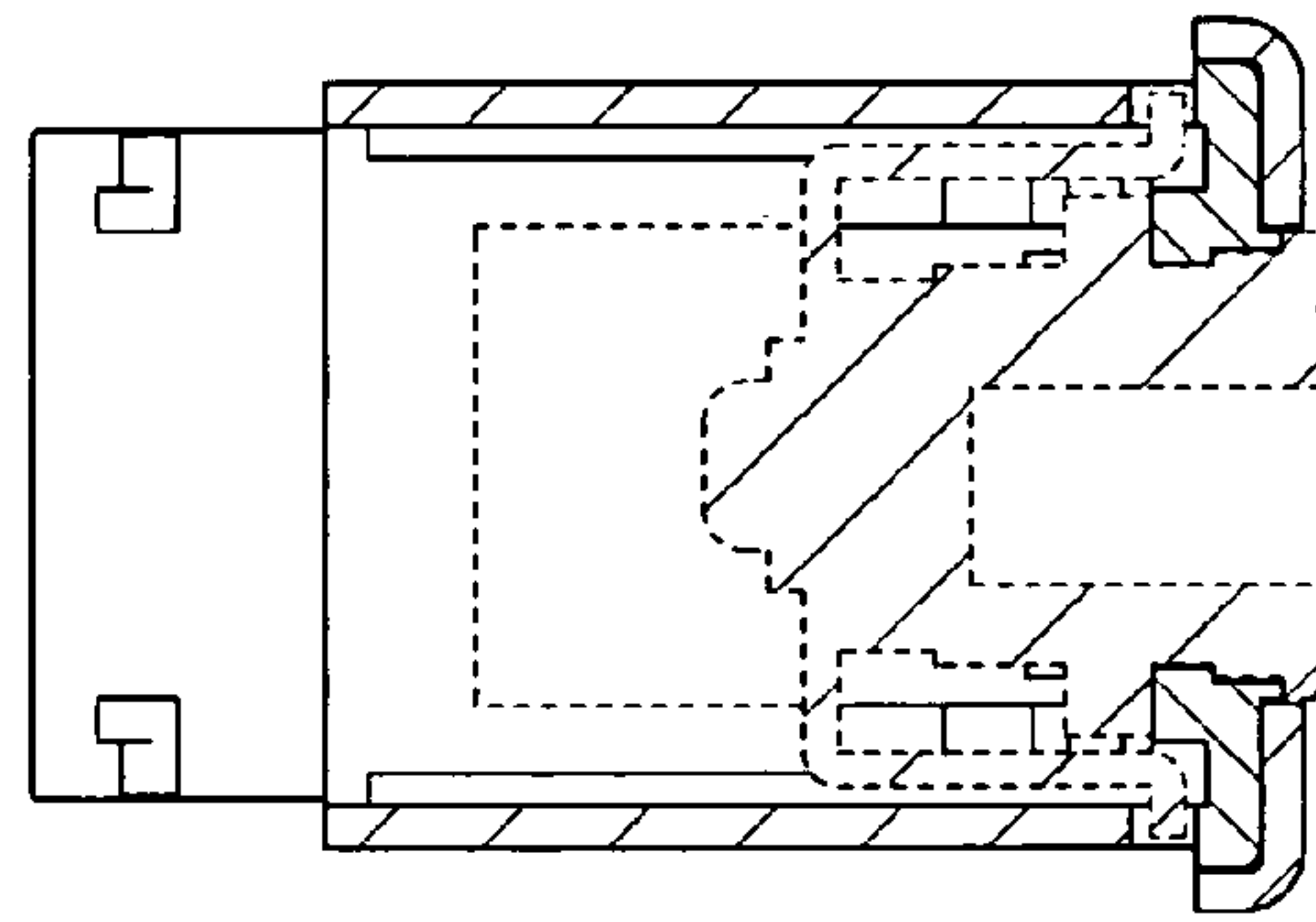


FIG. 7

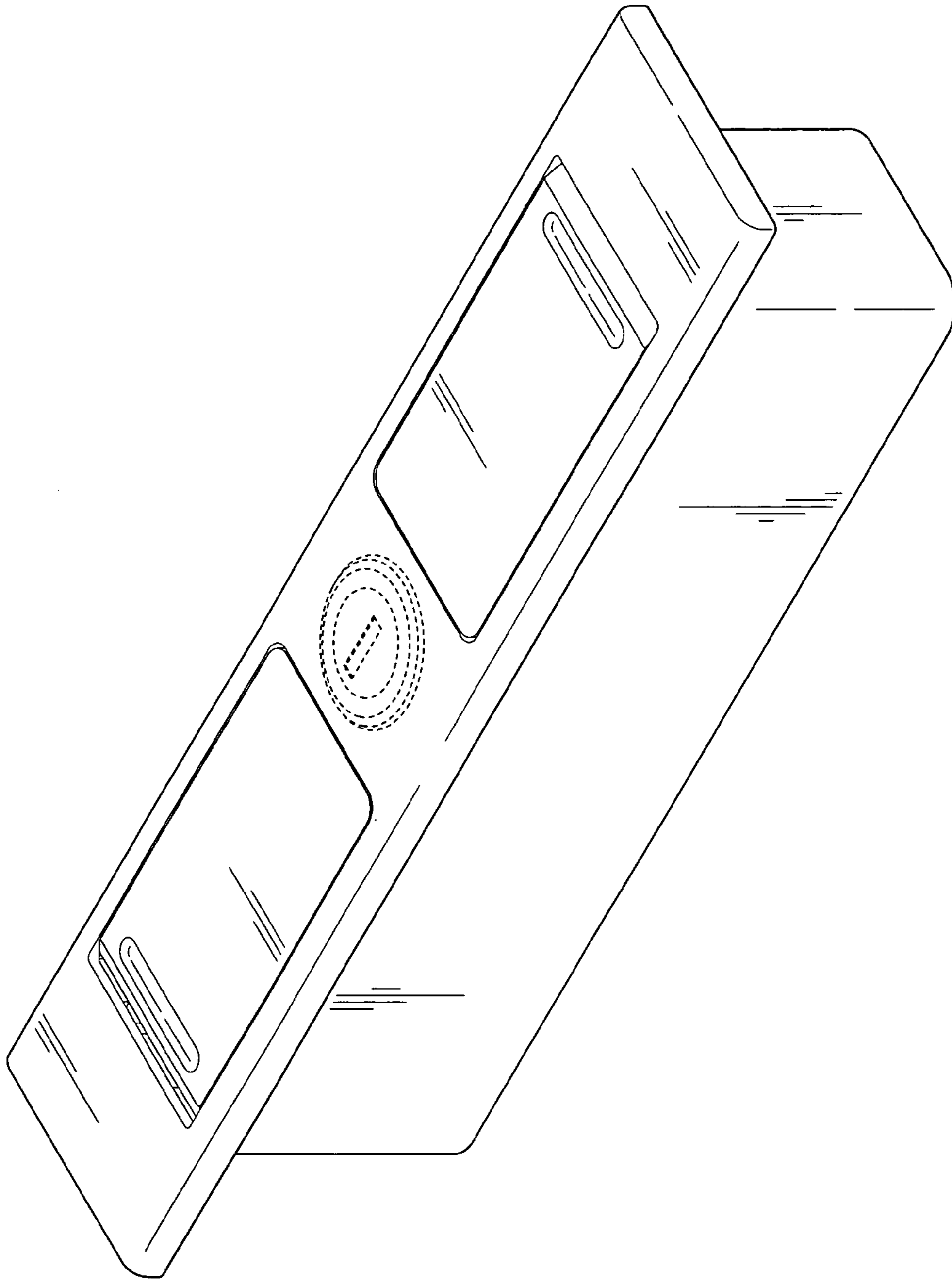


FIG. 8

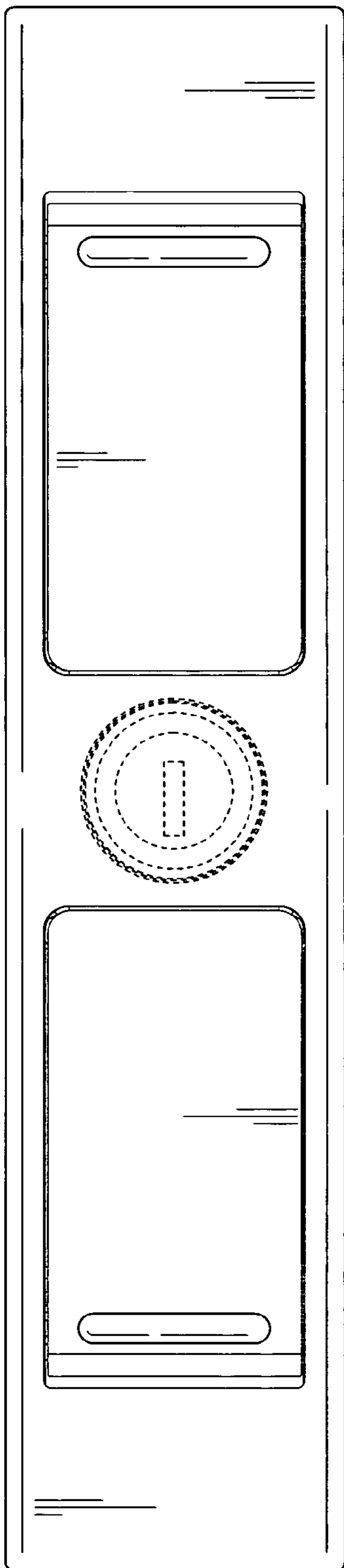


FIG. 9

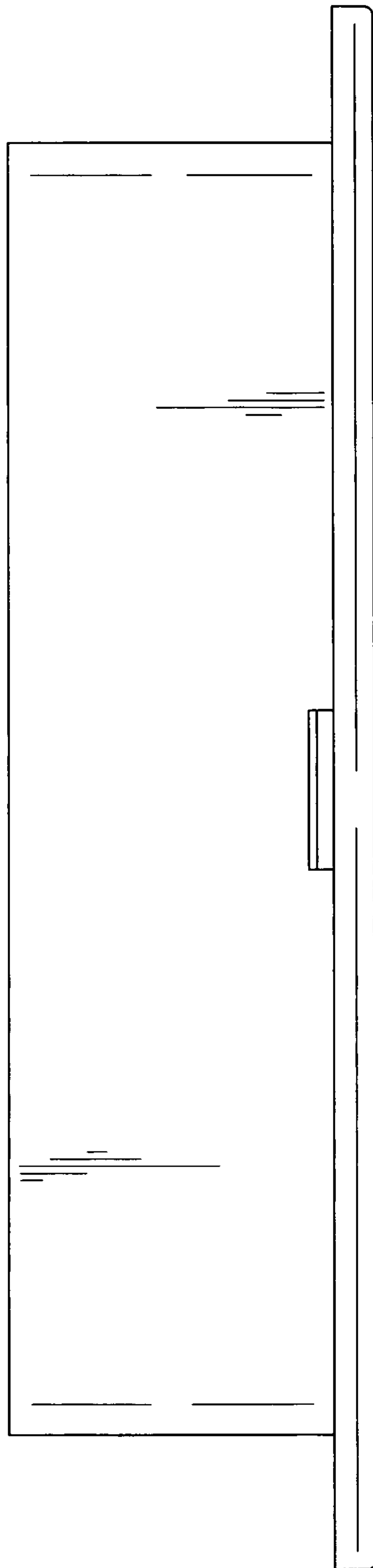


FIG. 10

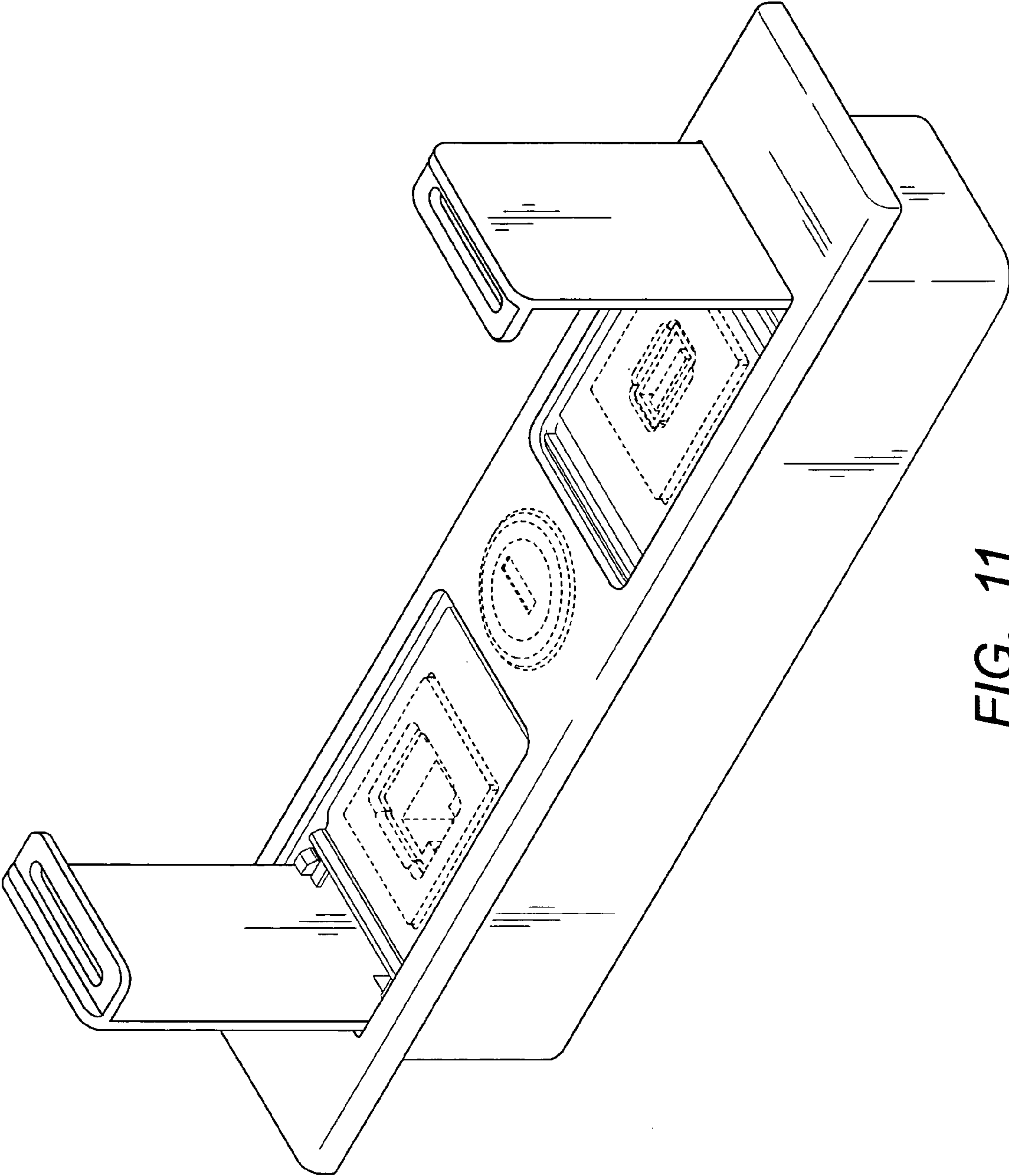


FIG. 11

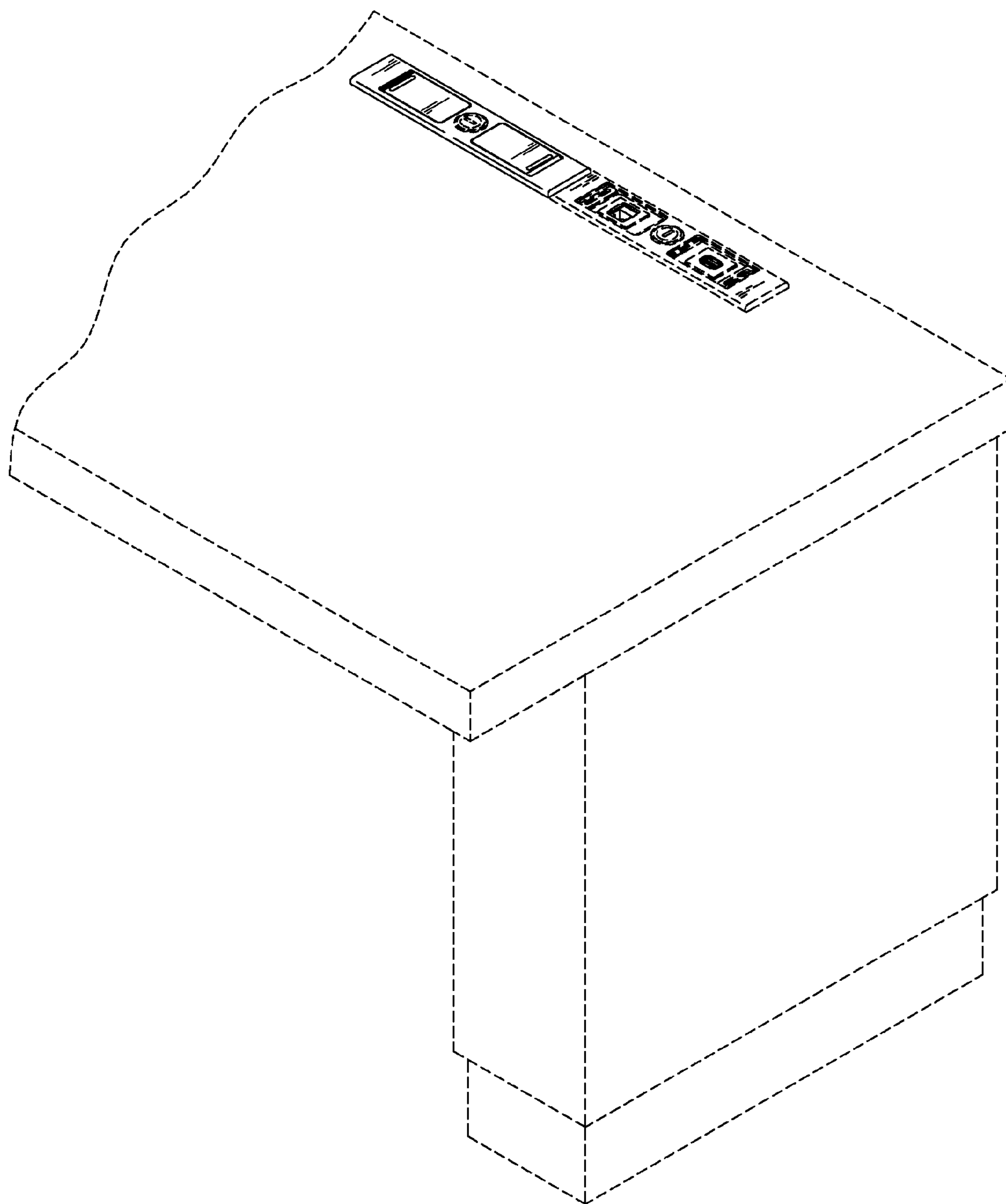


FIG. 12