



US00D635919S

(12) **United States Design Patent**
Ahola et al.

(10) **Patent No.:** **US D635,919 S**
(45) **Date of Patent:** **** Apr. 12, 2011**

(54) **SWITCH MODE DEVICE**

(75) Inventors: **Noora Ahola**, Turku (FI); **Pasi Saastamoinen**, Salo (FI)

(73) Assignee: **Salcomp Oyj**, Salo (FI)

(**) Term: **14 Years**

(21) Appl. No.: **29/359,708**

(22) Filed: **Apr. 14, 2010**

(51) **LOC (9) Cl.** **13-03**

(52) **U.S. Cl.** **D13/138.1**

(58) **Field of Classification Search** D13/138.1,
D13/138.2, 139.1, 139.2, 139.3, 139.4, 139.5,
D13/139.6, 139.7, 139.8, 137.1, 137.2, 137.3,
D13/137.4, 133, 146, 147, 151, 152, 153,
D13/154, 107, 108, 110, 162, 170; 363/15,
363/34, 146; 439/93, 105, 119, 149, 225,
439/521, 535, 583, 866, 919; D8/353; 174/493,
174/494, 53, 59, 60, 66, 67; 320/111, 114,
320/115

See application file for complete search history.

(56) **References Cited**

U.S. PATENT DOCUMENTS

D165,991 S * 2/1952 Ludwig D13/138.1
D258,429 S * 3/1981 Buckler D13/138.1
D374,657 S * 10/1996 Beranek D13/138.1
D463,366 S * 9/2002 MacKay D13/138.1

D583,316 S * 12/2008 Sade et al. D13/108
D587,192 S * 2/2009 McGinley et al. D13/110
D587,193 S * 2/2009 McGinley et al. D13/110
D610,992 S * 3/2010 Fahrendorff et al. D13/138.1
D611,409 S * 3/2010 Green et al. D13/110
D614,129 S * 4/2010 Nylen D13/108
D617,275 S * 6/2010 Fahrendorff et al. D13/138.1
D621,348 S * 8/2010 Nylen D13/108
2009/0289596 A1 * 11/2009 McGinley et al. 320/111

* cited by examiner

Primary Examiner — Jennifer Rivard

Assistant Examiner — Angela J Lee

(74) *Attorney, Agent, or Firm* — Victor N. King; King IP PLLC

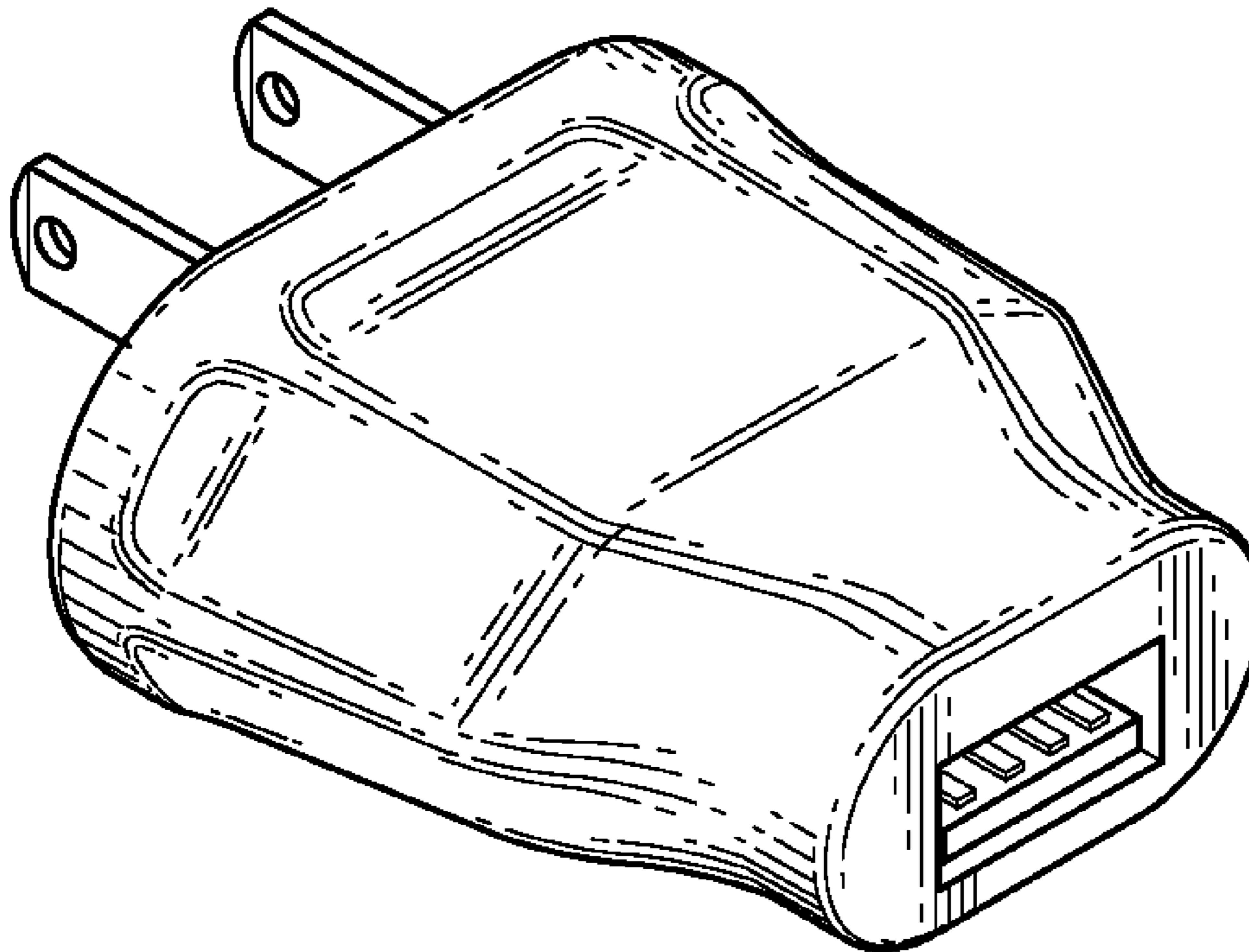
(57) **CLAIM**

The ornamental design for a switch mode device, substantially as shown and described.

DESCRIPTION

FIG. 1 is a rear perspective view of a switch mode device showing our new design;
FIG. 2 is a front perspective view thereof;
FIG. 3 is a front view thereof;
FIG. 4 is a rear view thereof;
FIG. 5 is a right side view thereof;
FIG. 6 is a left side view thereof;
FIG. 7 is a top plan view thereof; and,
FIG. 8 is a bottom plan view thereof.

1 Claim, 1 Drawing Sheet



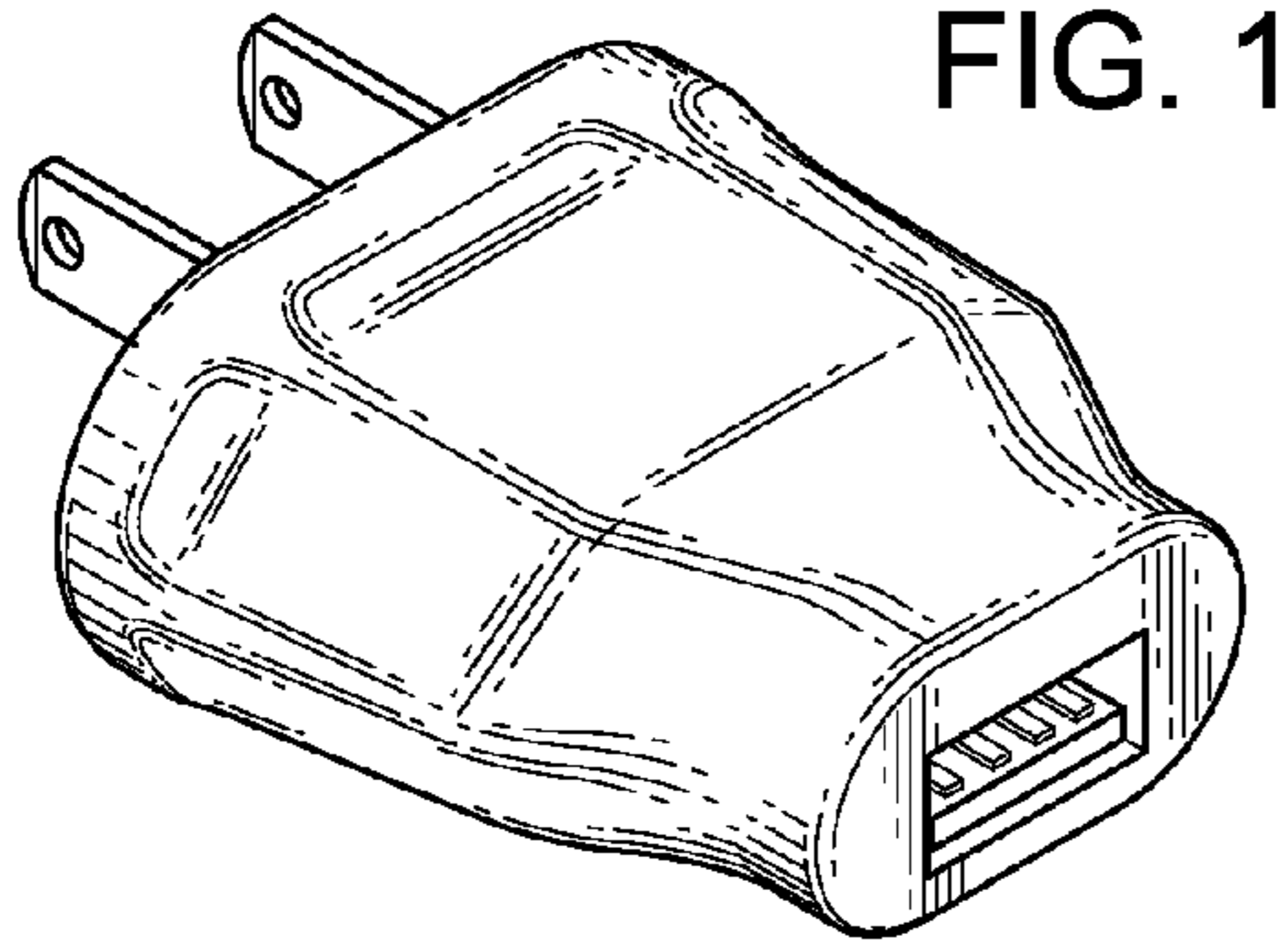


FIG. 1

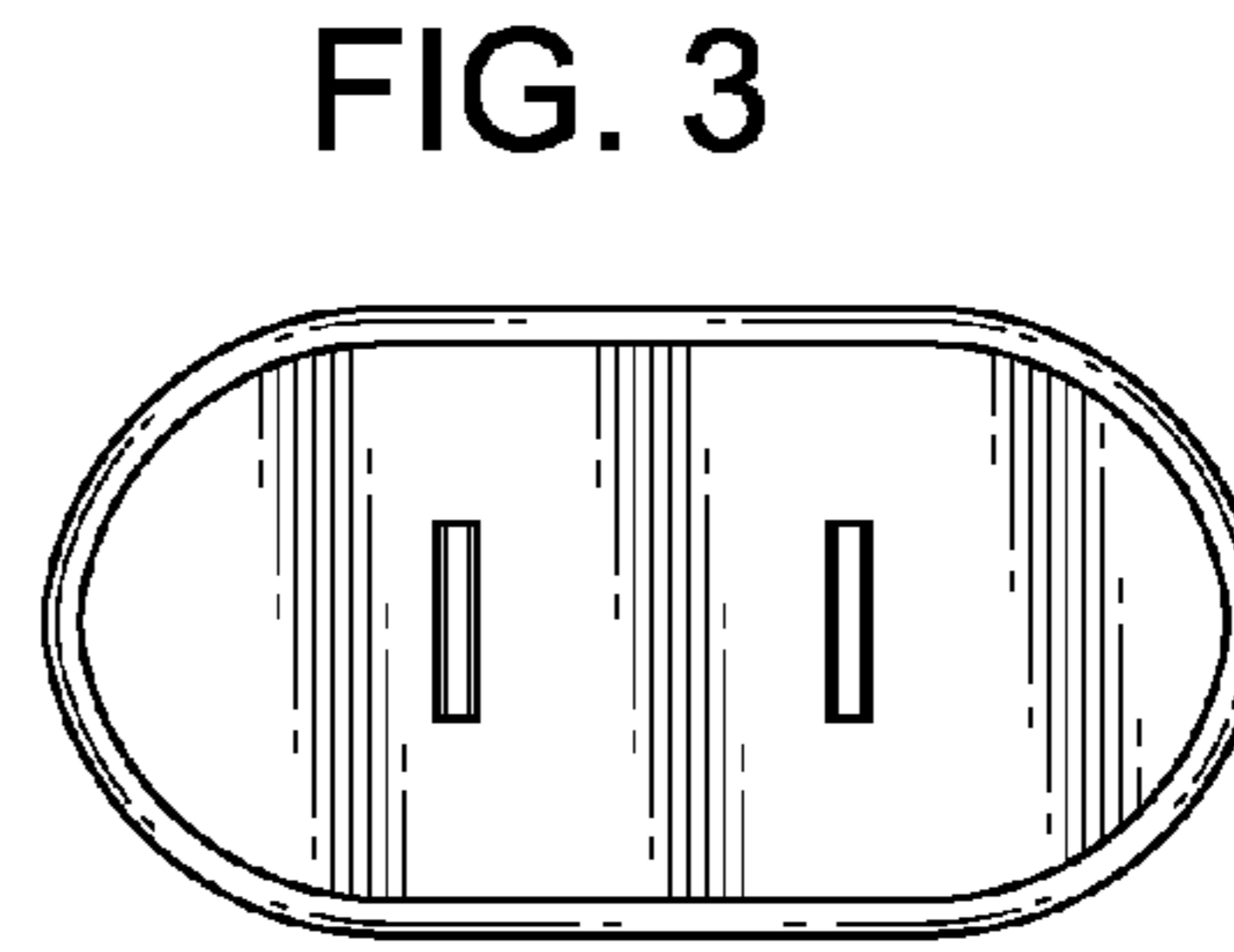


FIG. 3

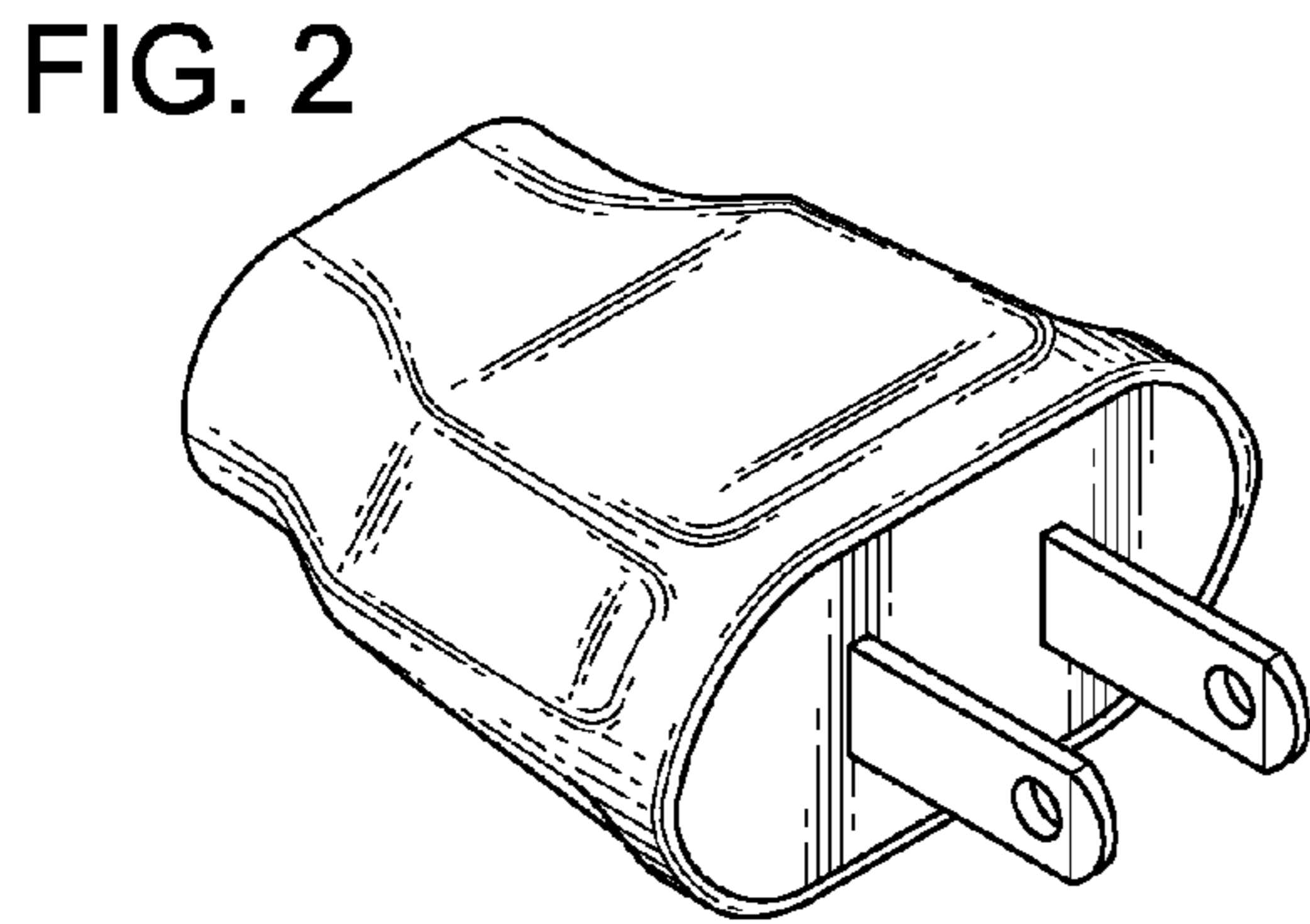


FIG. 2

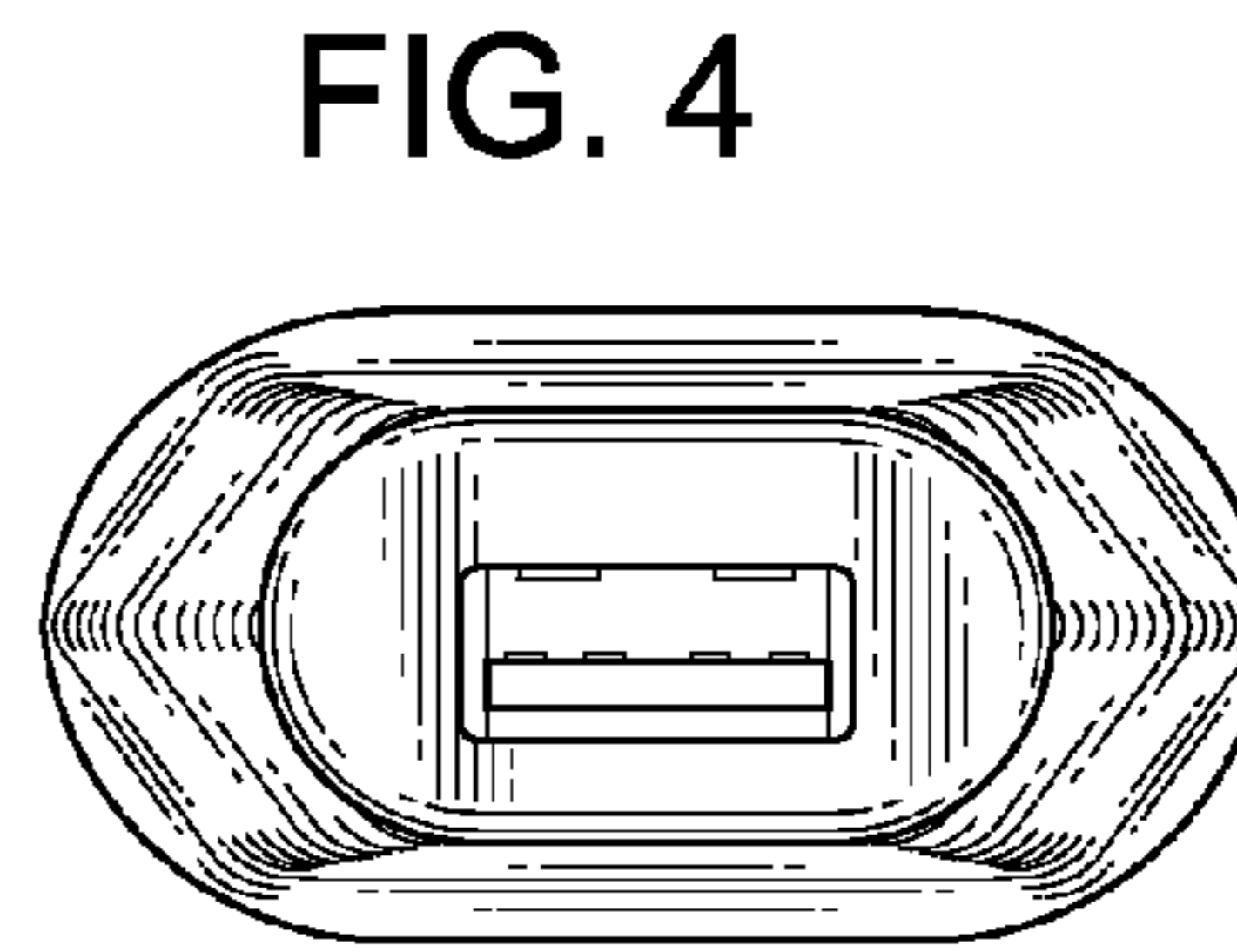


FIG. 4

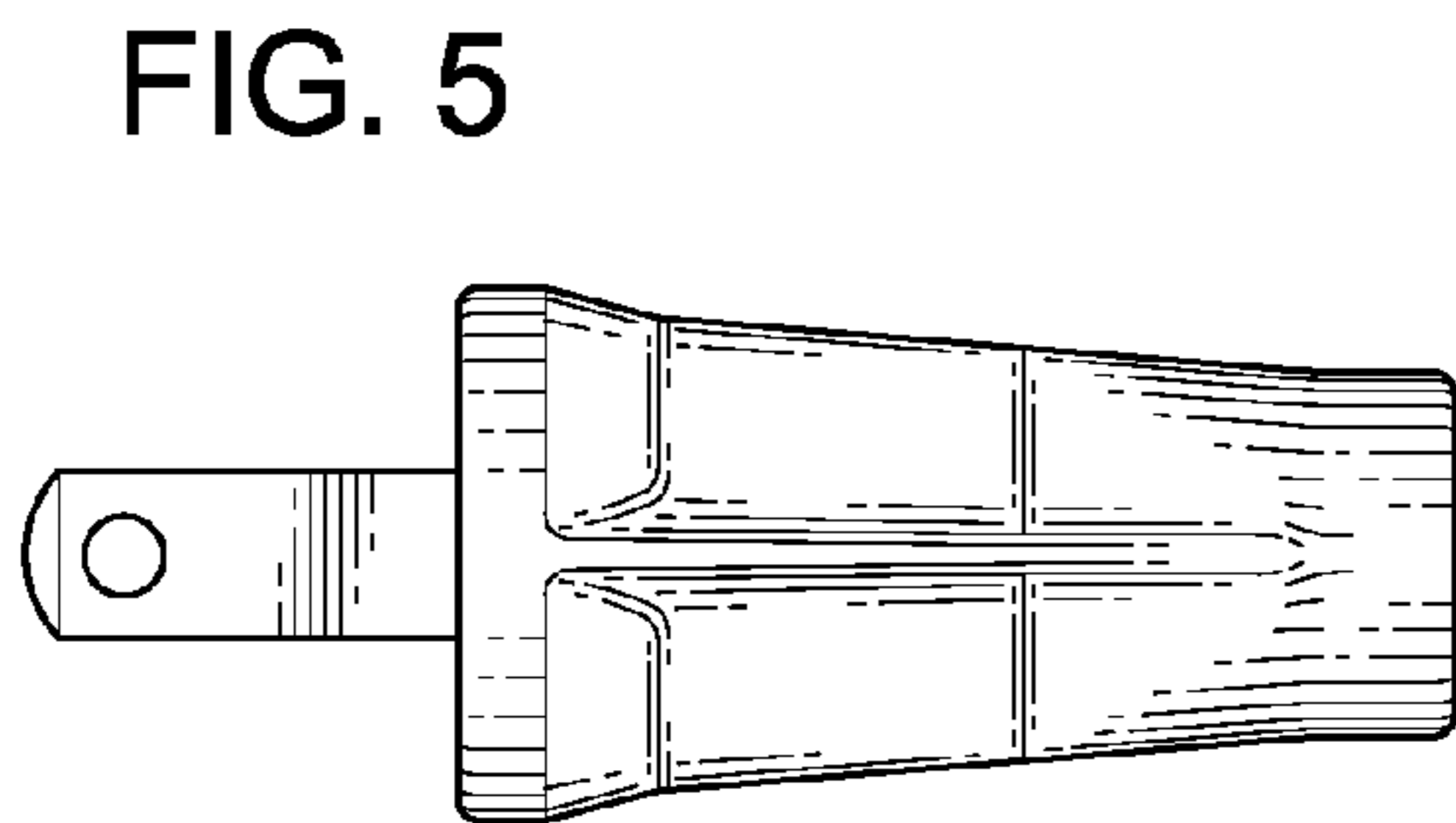


FIG. 5

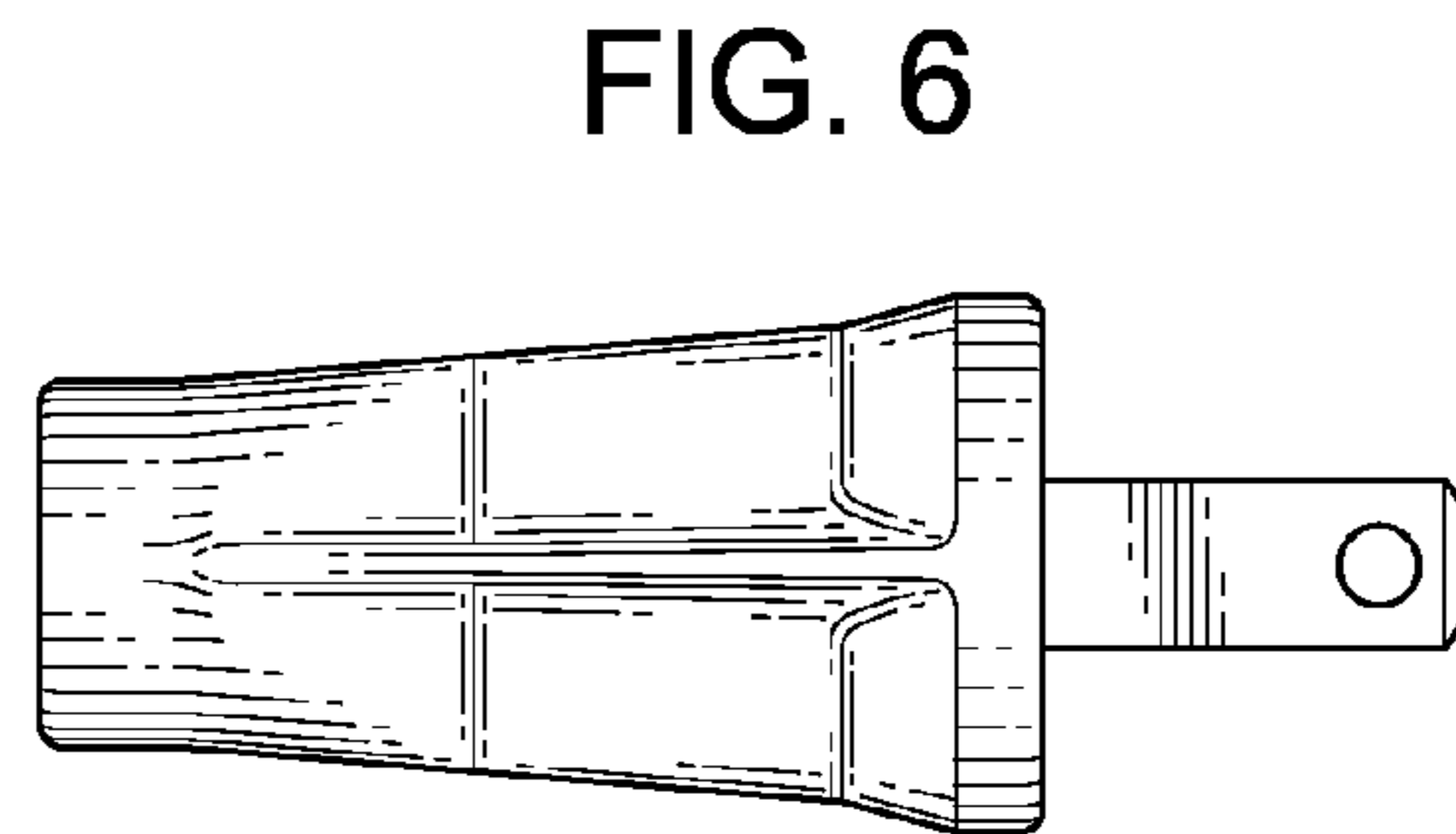


FIG. 6

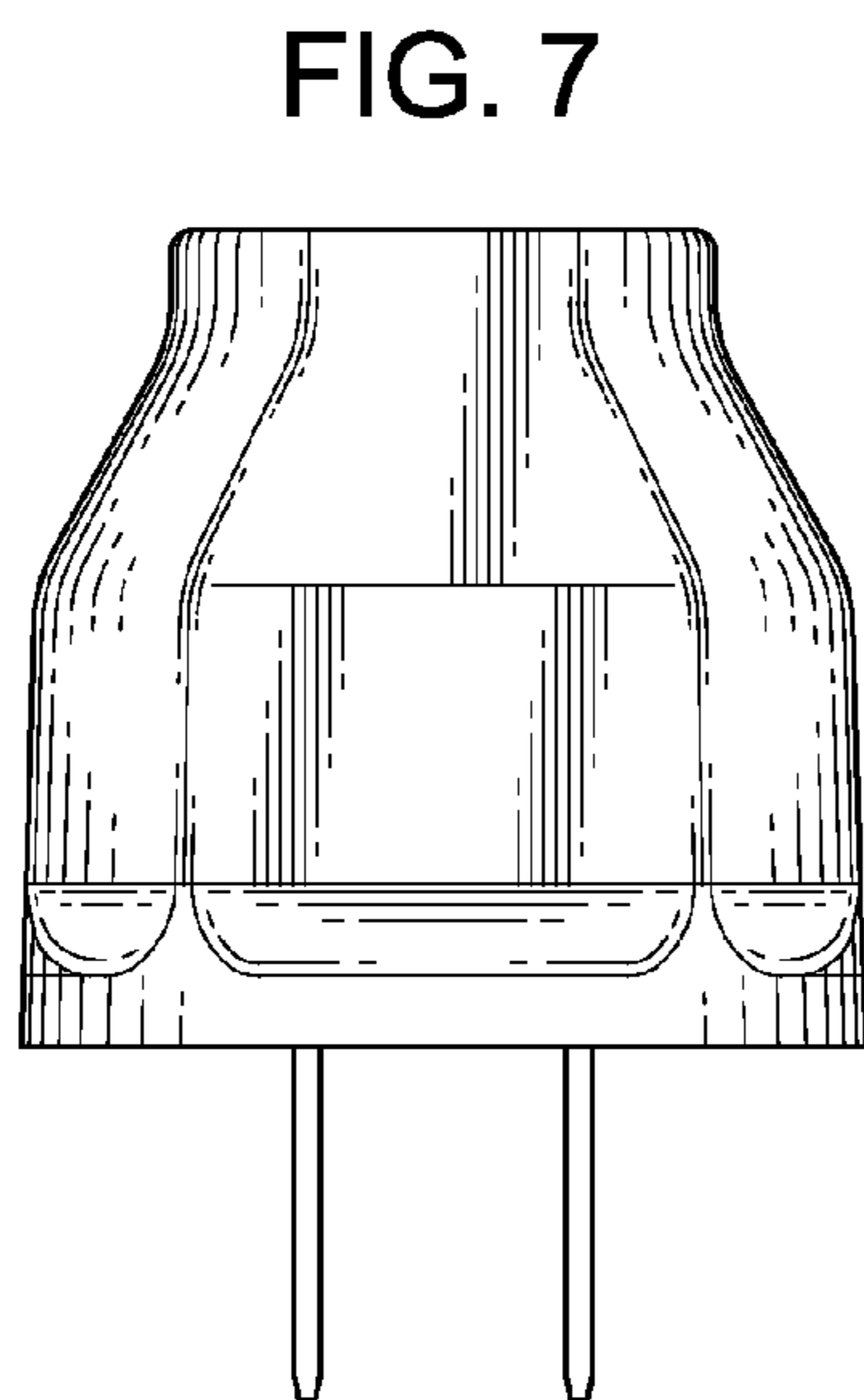


FIG. 7

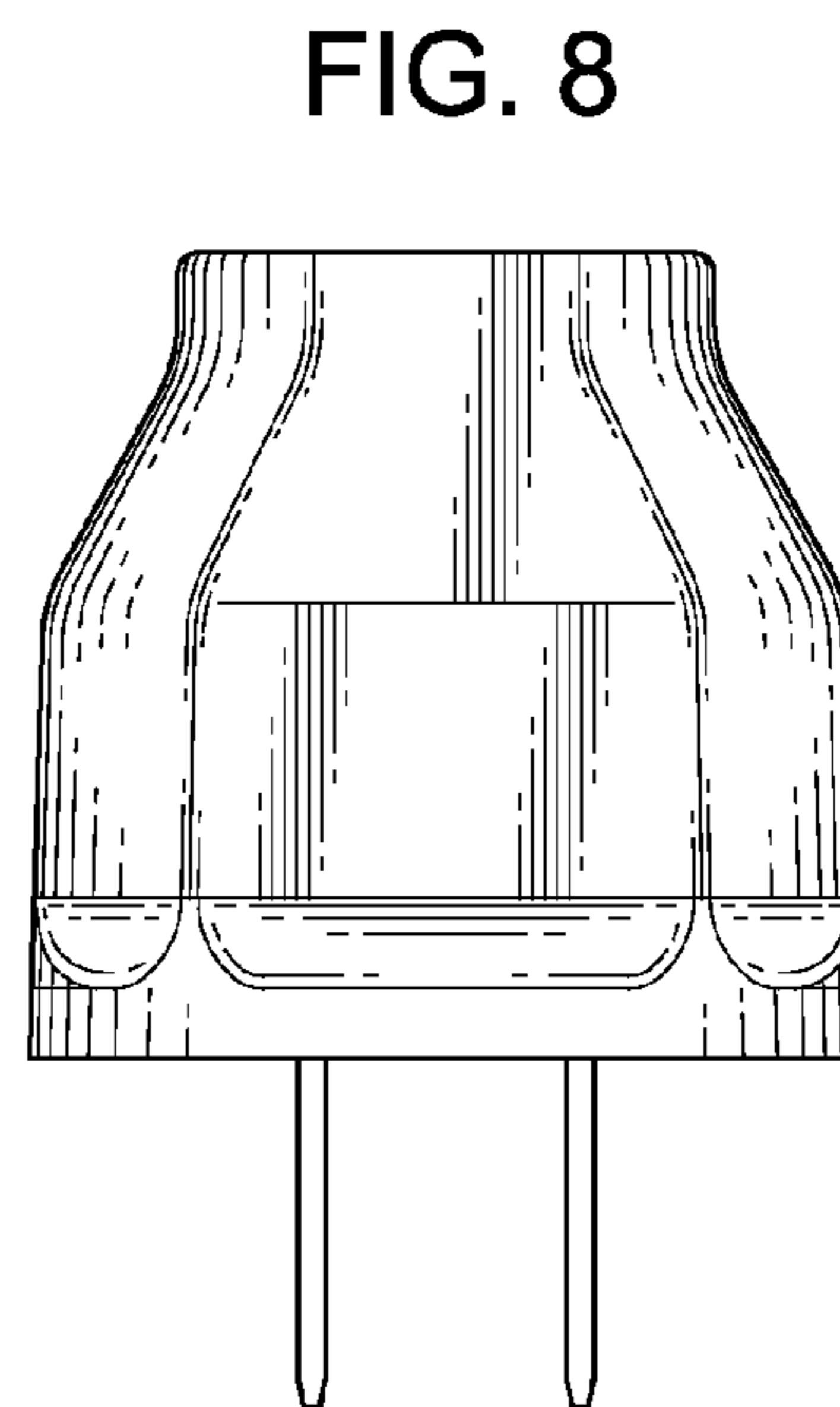


FIG. 8