



US00D635918S

(12) **United States Design Patent**
Le et al.

(10) **Patent No.:** **US D635,918 S**
(45) **Date of Patent:** **** Apr. 12, 2011**

(54) **WIDE FRONT DOCKING CRADLE**

(56) **References Cited**

(75) Inventors: **Phong Le**, Lewisville, TX (US);
Jomichael Porter, Addison, TX (US);
Sam Hood, Rowlett, TX (US); **Joseph**
Craig Reed, Plano, TX (US); **David**
Thomas Ellis, Irvine, CA (US); **Lorelei**
Curtiss Cannon, Plano, TX (US);
Rashid Skaf, Plano, TX (US)

U.S. PATENT DOCUMENTS

D368,704	S	*	4/1996	Tanaka	D14/434
D508,916	S	*	8/2005	Lee	D14/447
D552,688	S	*	10/2007	Hussaini et al.	D21/333
D566,352	S	*	4/2008	Ågren et al.	D32/31
D585,897	S	*	2/2009	Carnevali	D14/434
D597,939	S	*	8/2009	Tkachuk	D13/108
D611,899	S	*	3/2010	Yang	D13/108
D621,405	S	*	8/2010	Waite et al.	D14/434

(73) Assignee: **AMX LLC**, Richardson, TX (US)

* cited by examiner

(**) Term: **14 Years**

Primary Examiner — Rosemary K Tarcza

(21) Appl. No.: **29/376,784**

(22) Filed: **Oct. 12, 2010**

(57) **CLAIM**

The ornamental design for a wide front docking cradle, as shown and described.

Related U.S. Application Data

DESCRIPTION

(63) Continuation of application No. 29/359,783, filed on Apr. 15, 2010.

(51) **LOC (9) Cl.** **13-02**

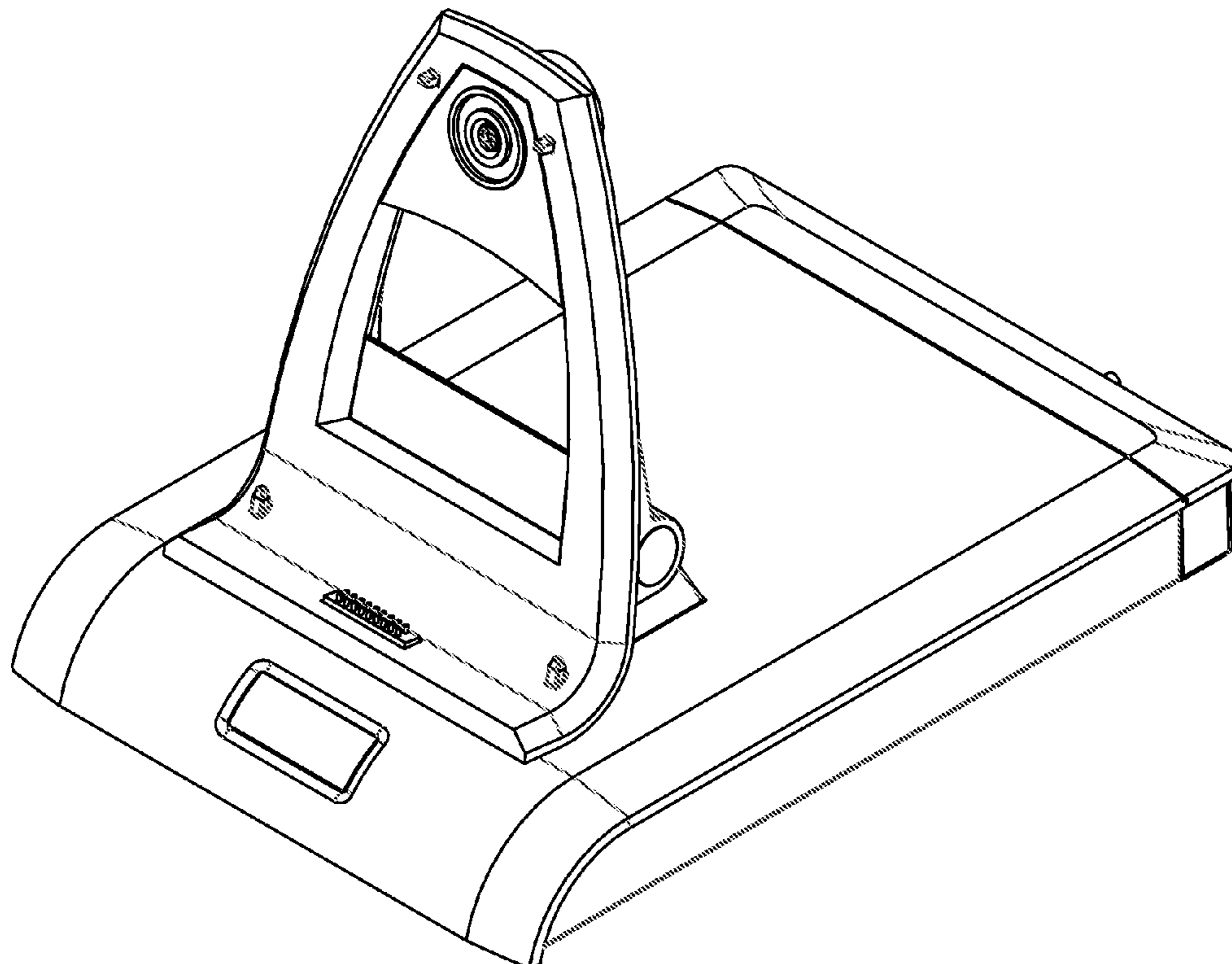
(52) **U.S. Cl.** **D13/108; D14/434**

(58) **Field of Classification Search** D13/107-110,
D13/118-119, 184; D14/251, 253, 432,
D14/434, 435.1; 320/107-115

FIG. 1 is an isometric view of a wide front docking cradle installed on a docking station showing our new design; FIG. 2 is a right elevational view thereof; FIG. 3 is a top elevational view thereof; and, FIG. 4 is a left rear isometric view thereof.

See application file for complete search history.

1 Claim, 4 Drawing Sheets



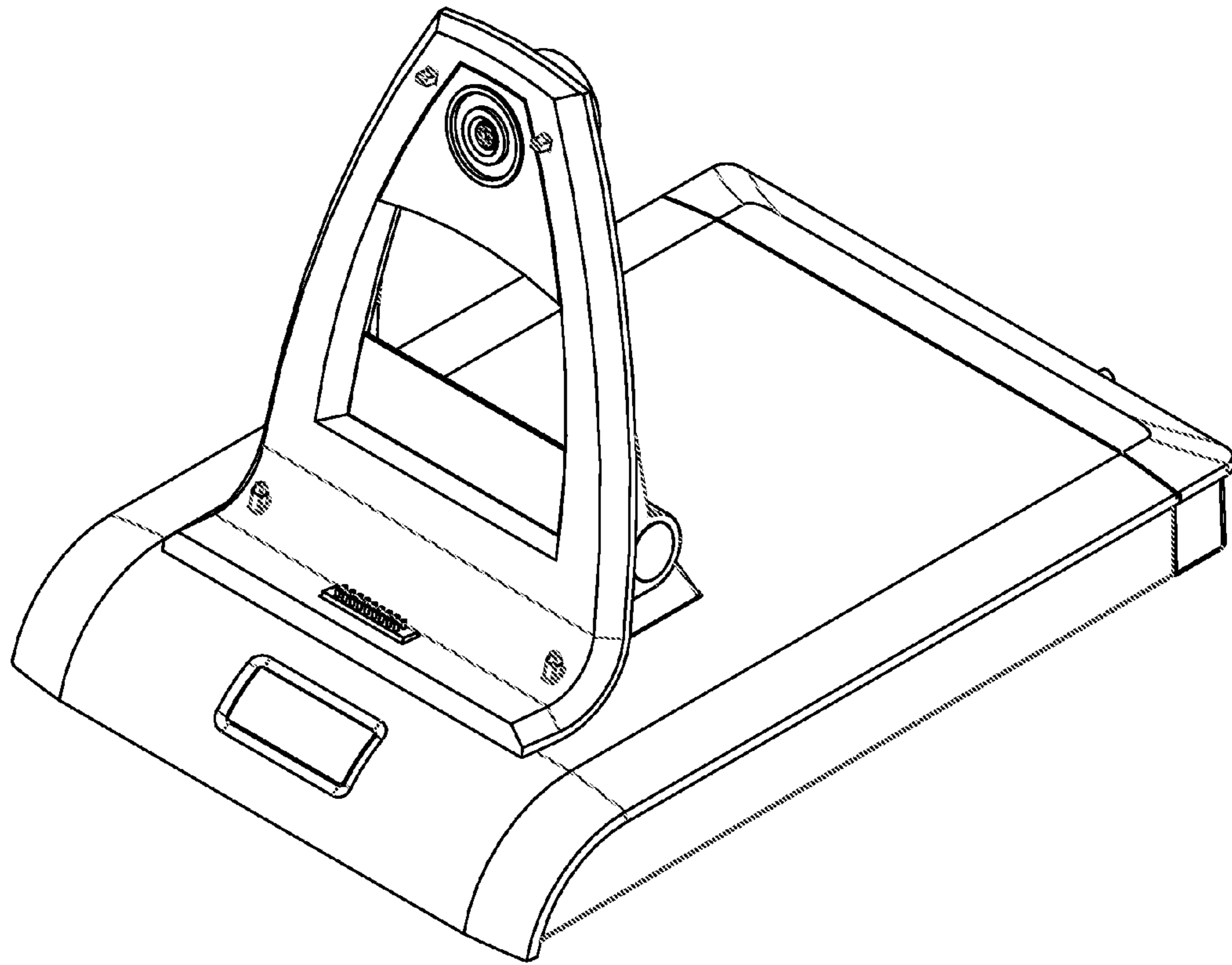


FIGURE 1

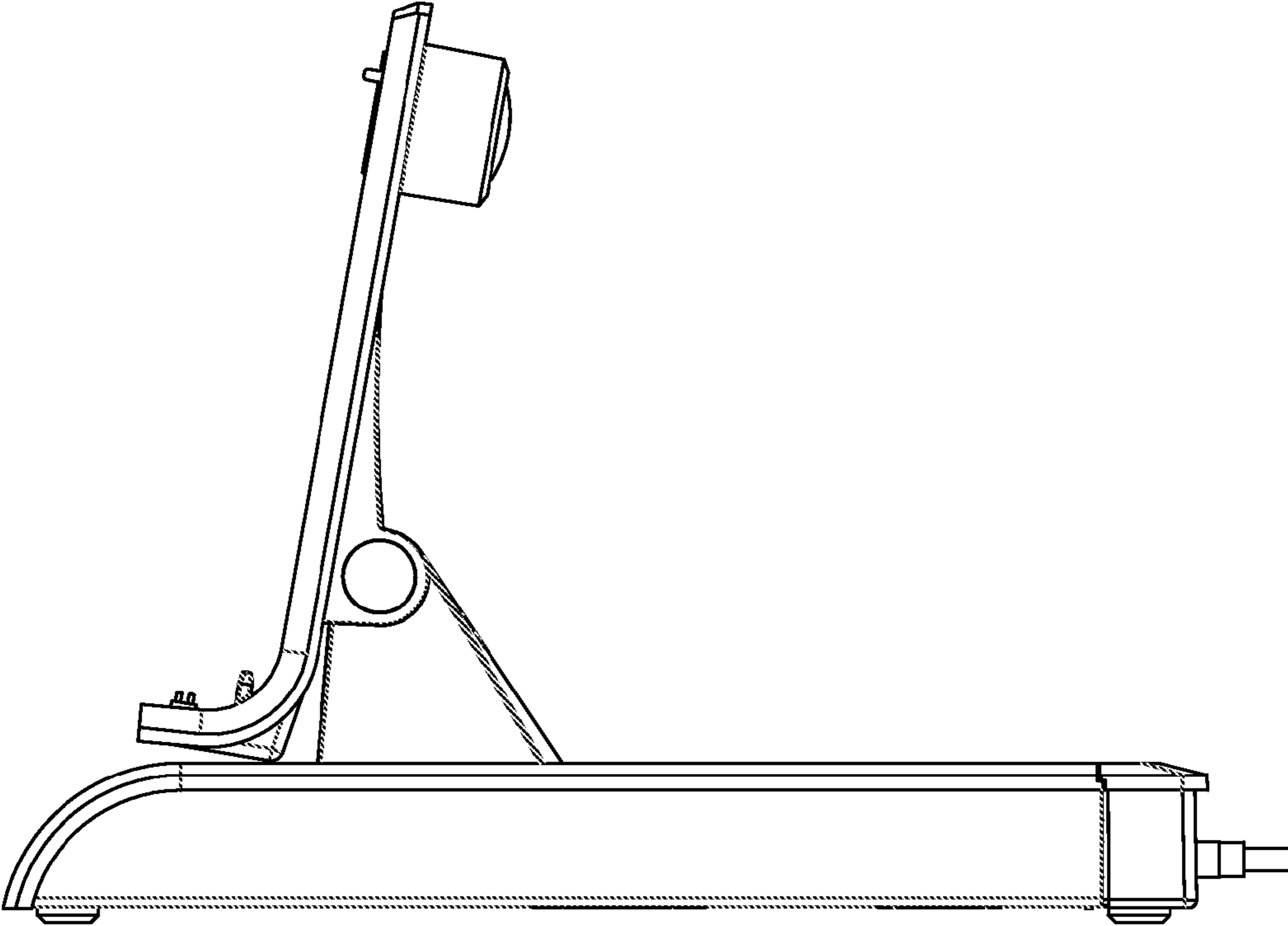


FIGURE 2

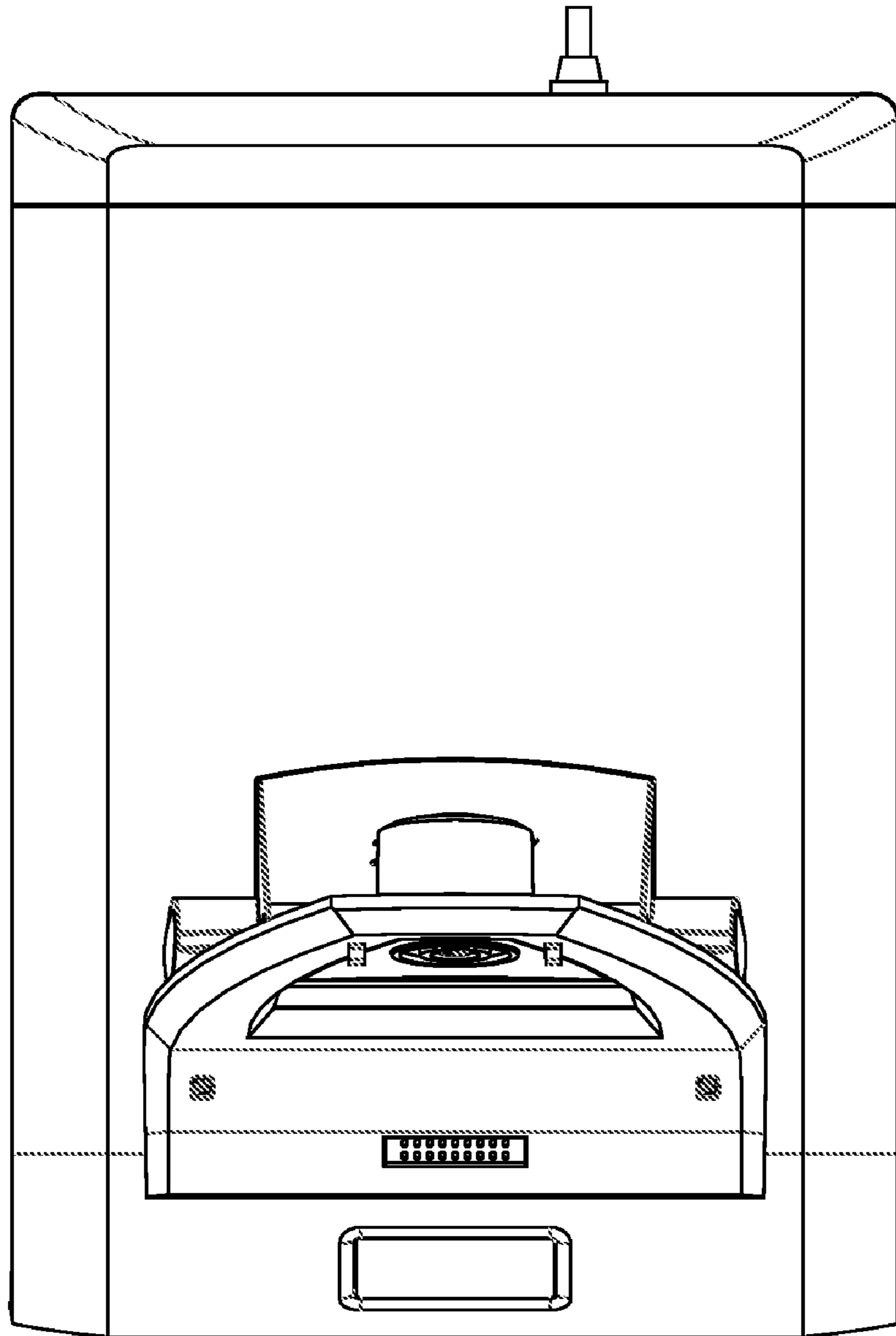


FIGURE 3

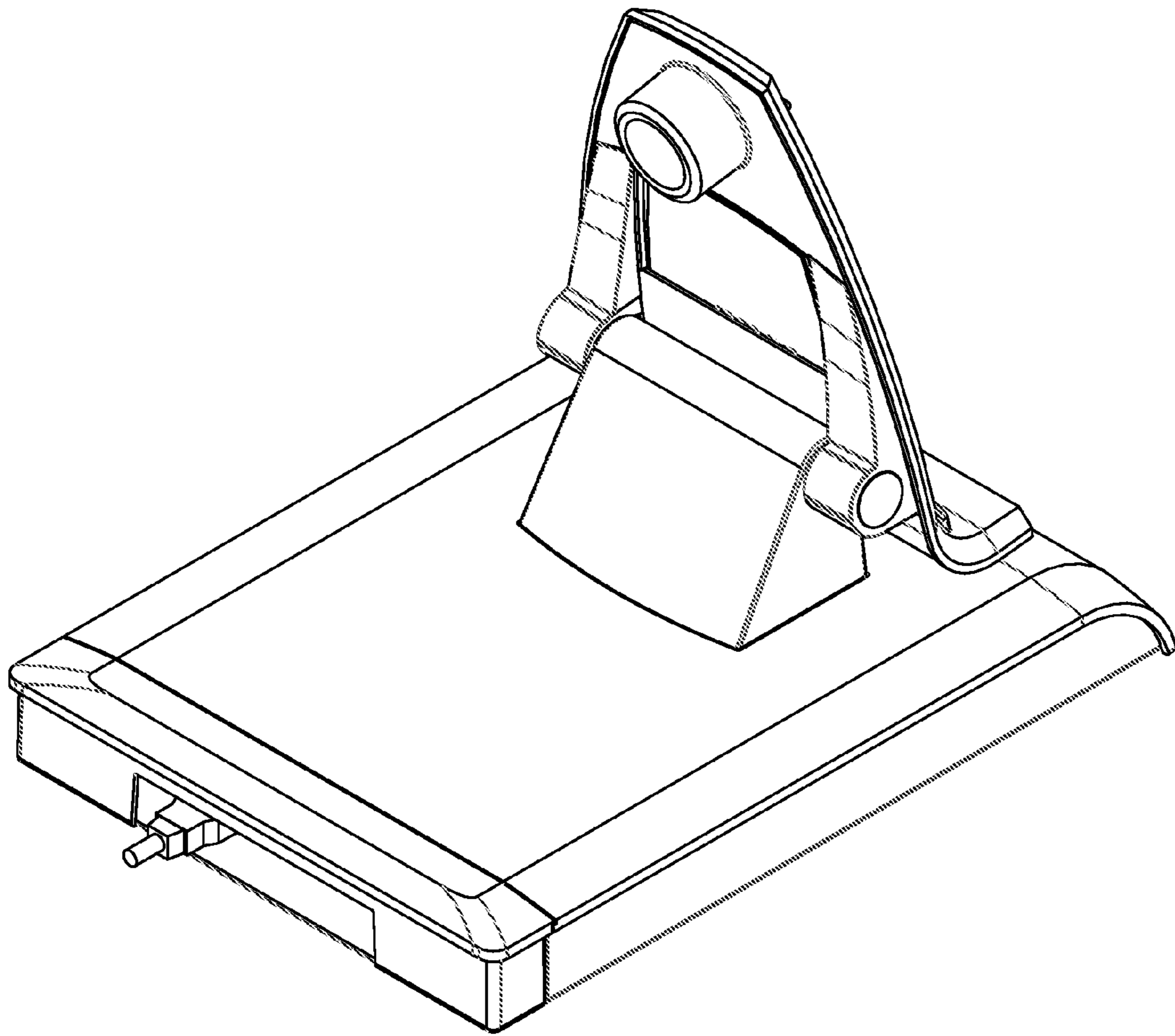


FIGURE 4