



US00D635917S

(12) **United States Design Patent**
Okuda

(10) **Patent No.:** **US D635,917 S**

(45) **Date of Patent:** **** Apr. 12, 2011**

(54) **BATTERY CHARGER**

(75) Inventor: **Shinsuke Okuda**, Anjo (JP)

(73) Assignee: **Makita Corporation**, Anjo-shi (JP)

(**) Term: **14 Years**

(21) Appl. No.: **29/367,198**

(22) Filed: **Aug. 4, 2010**

(30) **Foreign Application Priority Data**

Feb. 17, 2010 (JP) 2010-003552

(51) **LOC (9) Cl.** **13-02**

(52) **U.S. Cl.** **D13/107**

(58) **Field of Classification Search** D13/107-110,
D13/118-119, 184, 199; D14/251, 253,
D14/432, 434; 320/107-115

See application file for complete search history.

(56) **References Cited**

U.S. PATENT DOCUMENTS

- D277,845 S * 3/1985 Ip D13/107
- D333,120 S * 2/1993 Shimoo et al. D13/107
- D442,544 S * 5/2001 Ku D13/107
- D478,557 S * 8/2003 Pfeiffer D13/107

- D483,014 S * 12/2003 Hsiao D13/107
- D504,868 S * 5/2005 Lodato et al. D13/107
- D543,934 S * 6/2007 Kang et al. D13/107
- D548,687 S 8/2007 Okuda et al.
- D550,614 S * 9/2007 Fee et al. D13/107
- D565,506 S * 4/2008 Sacco et al. D13/107
- D572,655 S * 7/2008 Osiecki et al. D13/107
- D598,845 S * 8/2009 Kingston et al. D13/107
- D623,129 S * 9/2010 Kawakami et al. D13/107

* cited by examiner

Primary Examiner — Rosemary K Tarcza

(74) *Attorney, Agent, or Firm* — Oliff & Berridge, PLC

(57) **CLAIM**

The ornamental design for a battery charger, as shown and described.

DESCRIPTION

FIG. 1 is a perspective view of a battery charger showing our new design;

FIG. 2 is a front elevation view thereof;

FIG. 3 is a rear elevation view thereof;

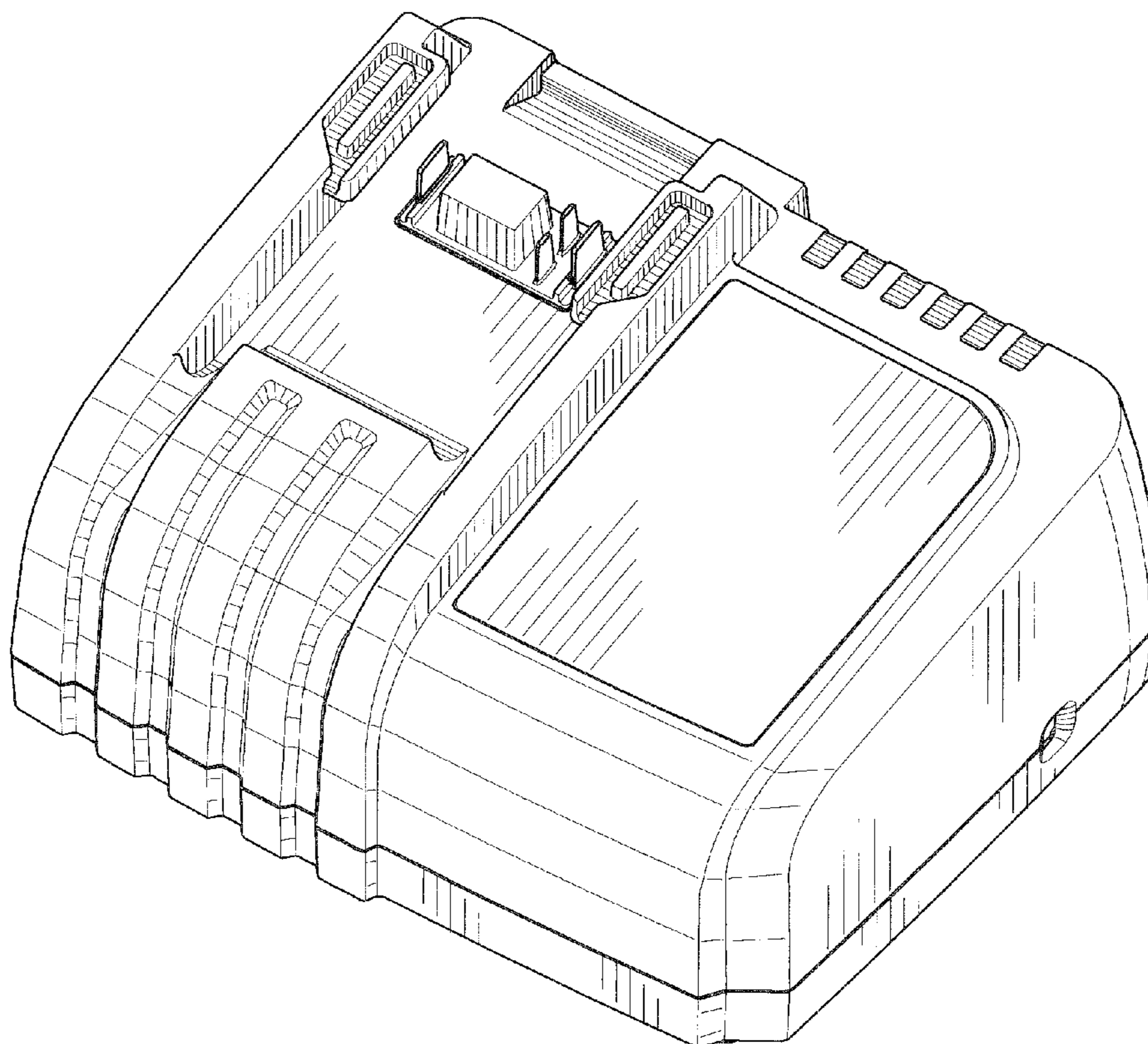
FIG. 4 is a left side elevation view thereof;

FIG. 5 is a right side elevation view thereof;

FIG. 6 is a top plan view thereof; and,

FIG. 7 is a bottom plan view thereof.

1 Claim, 4 Drawing Sheets



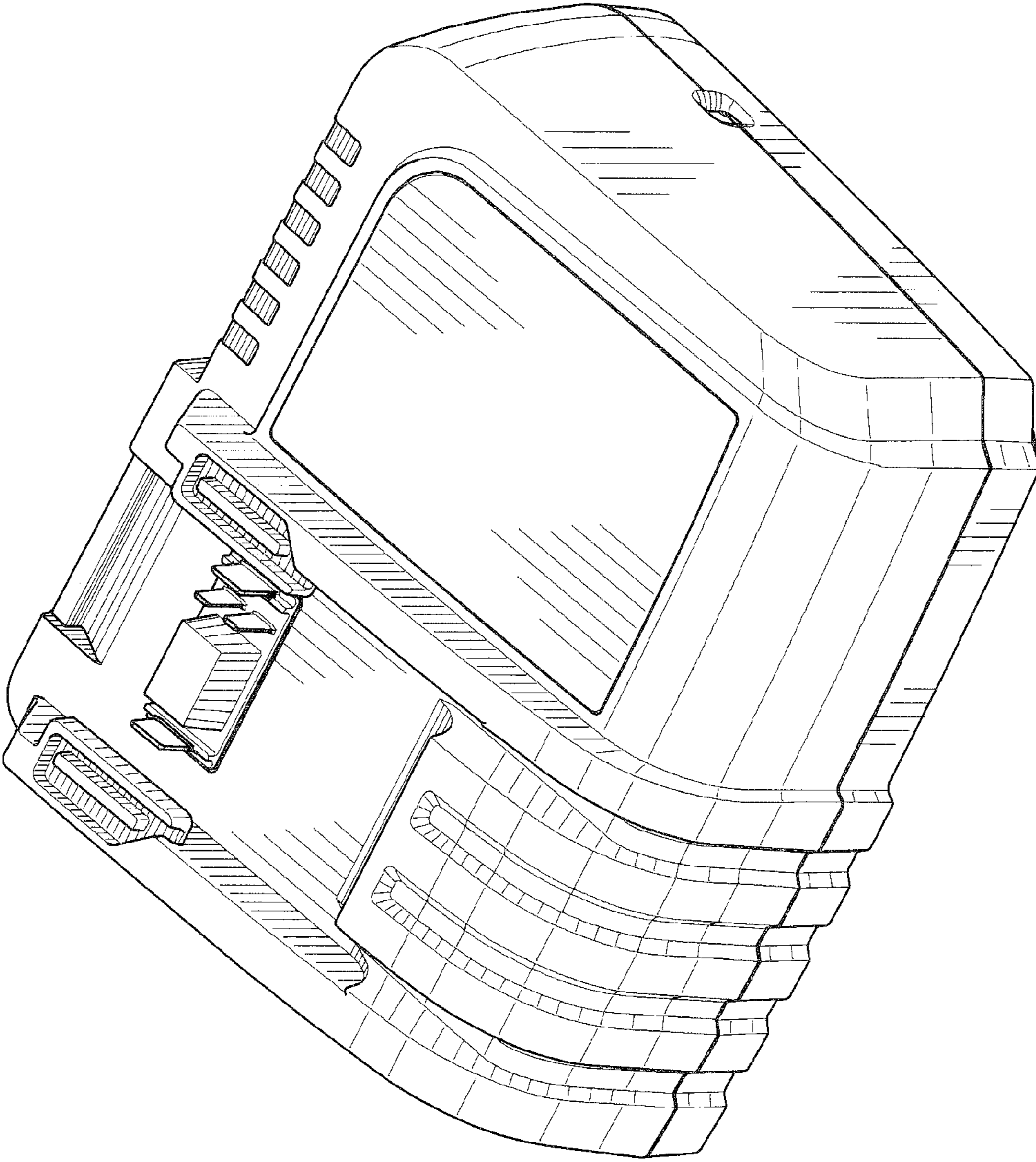


FIG. 1

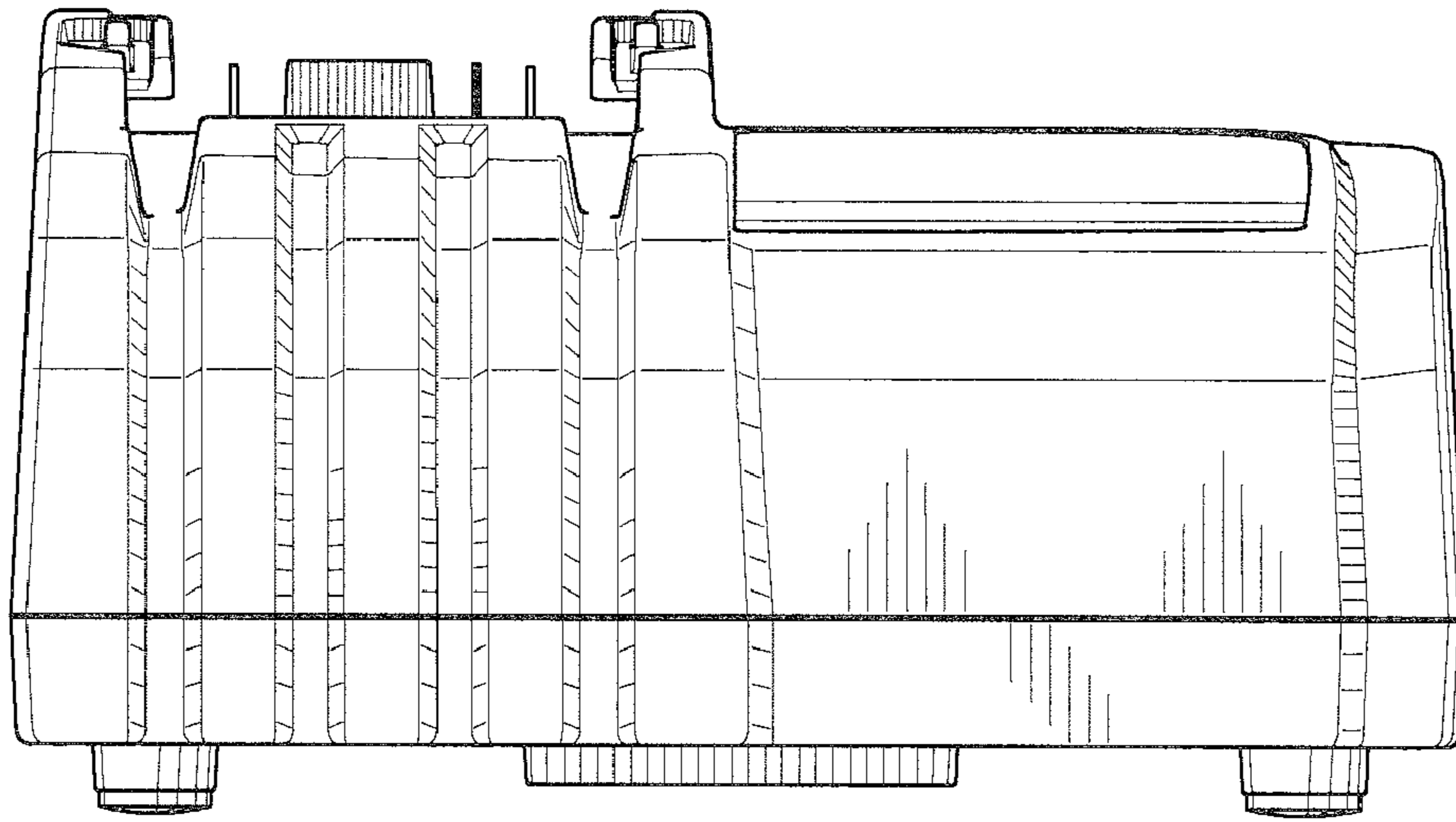


FIG. 2

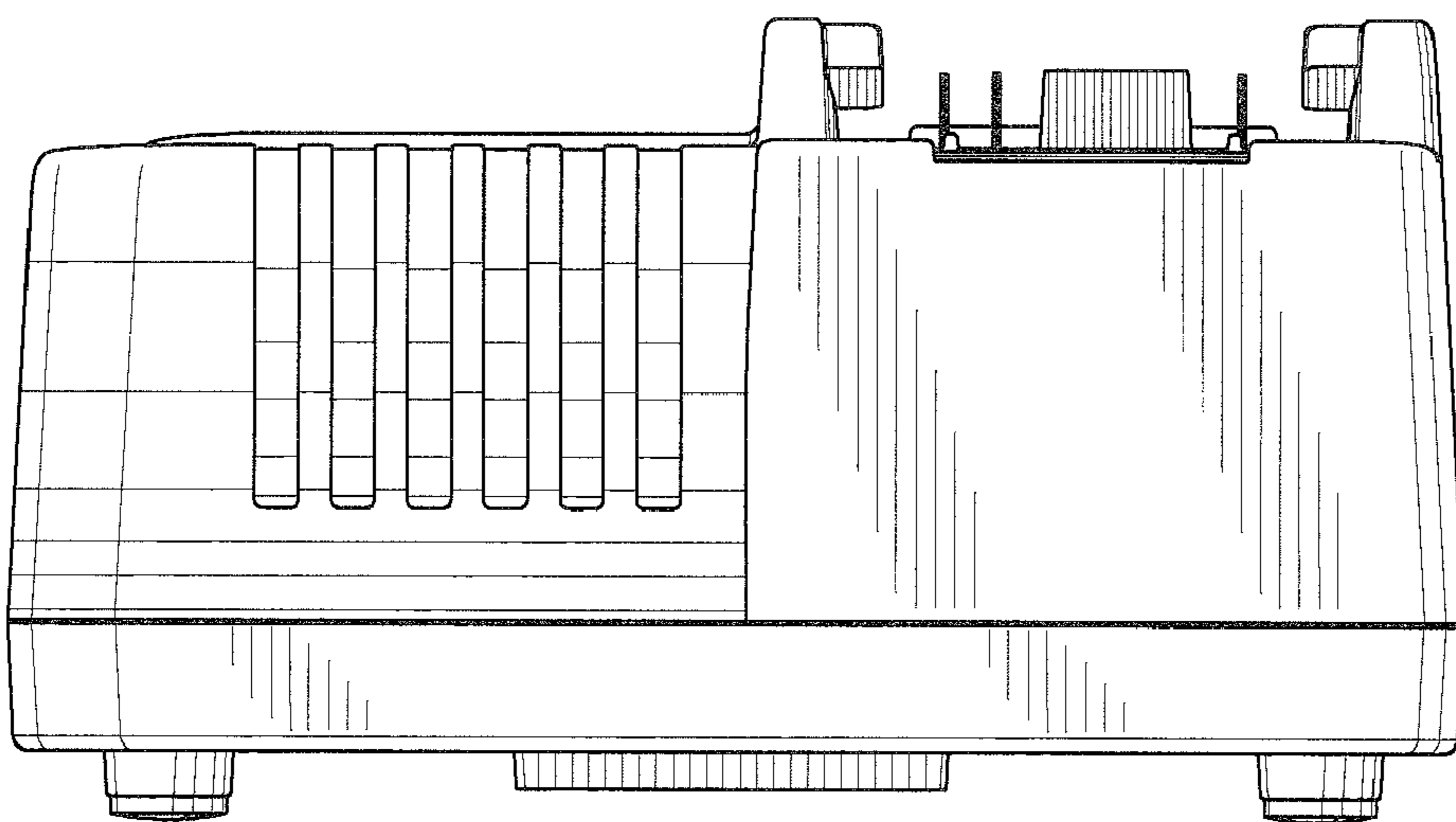


FIG. 3

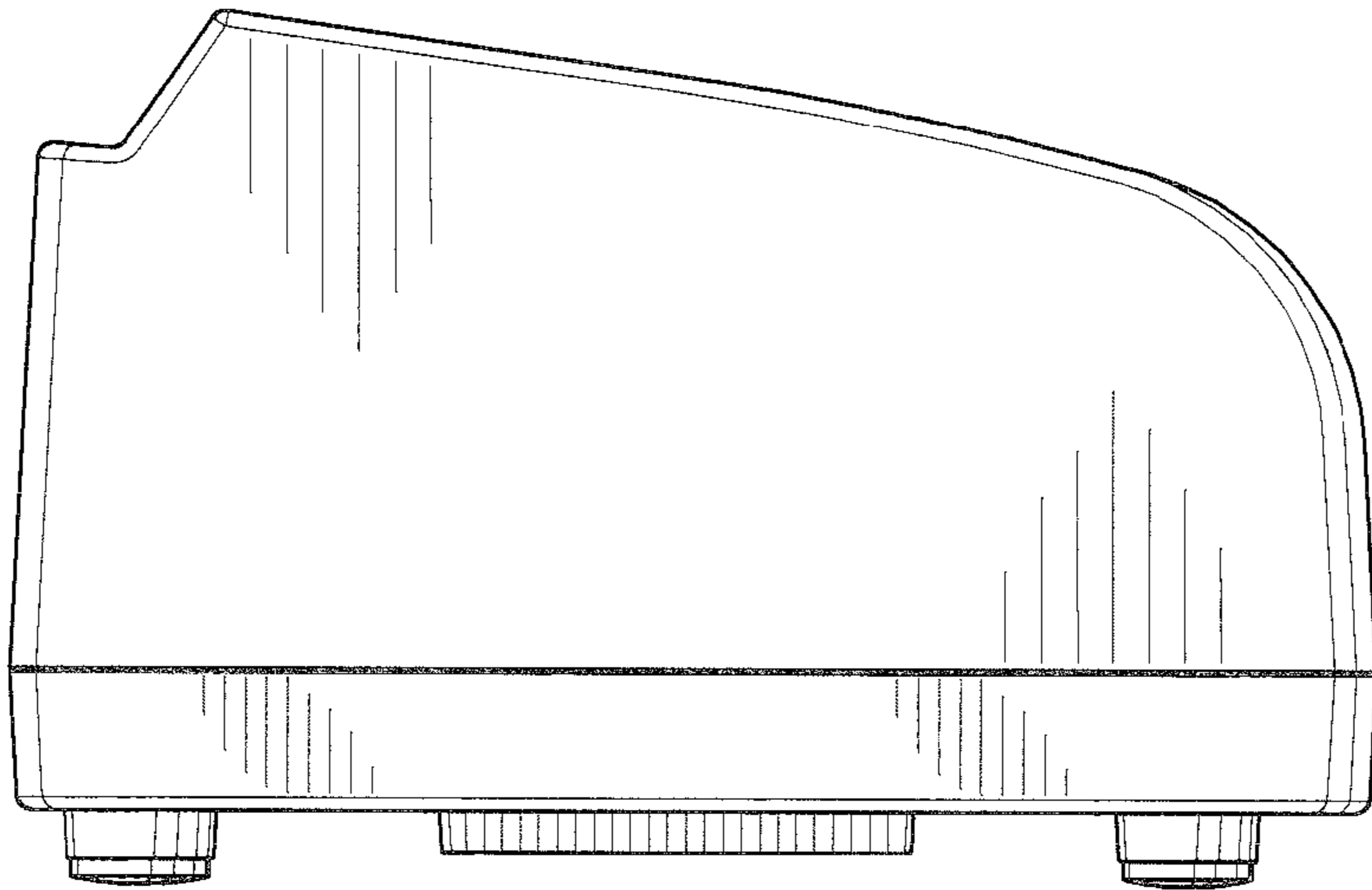


FIG. 4

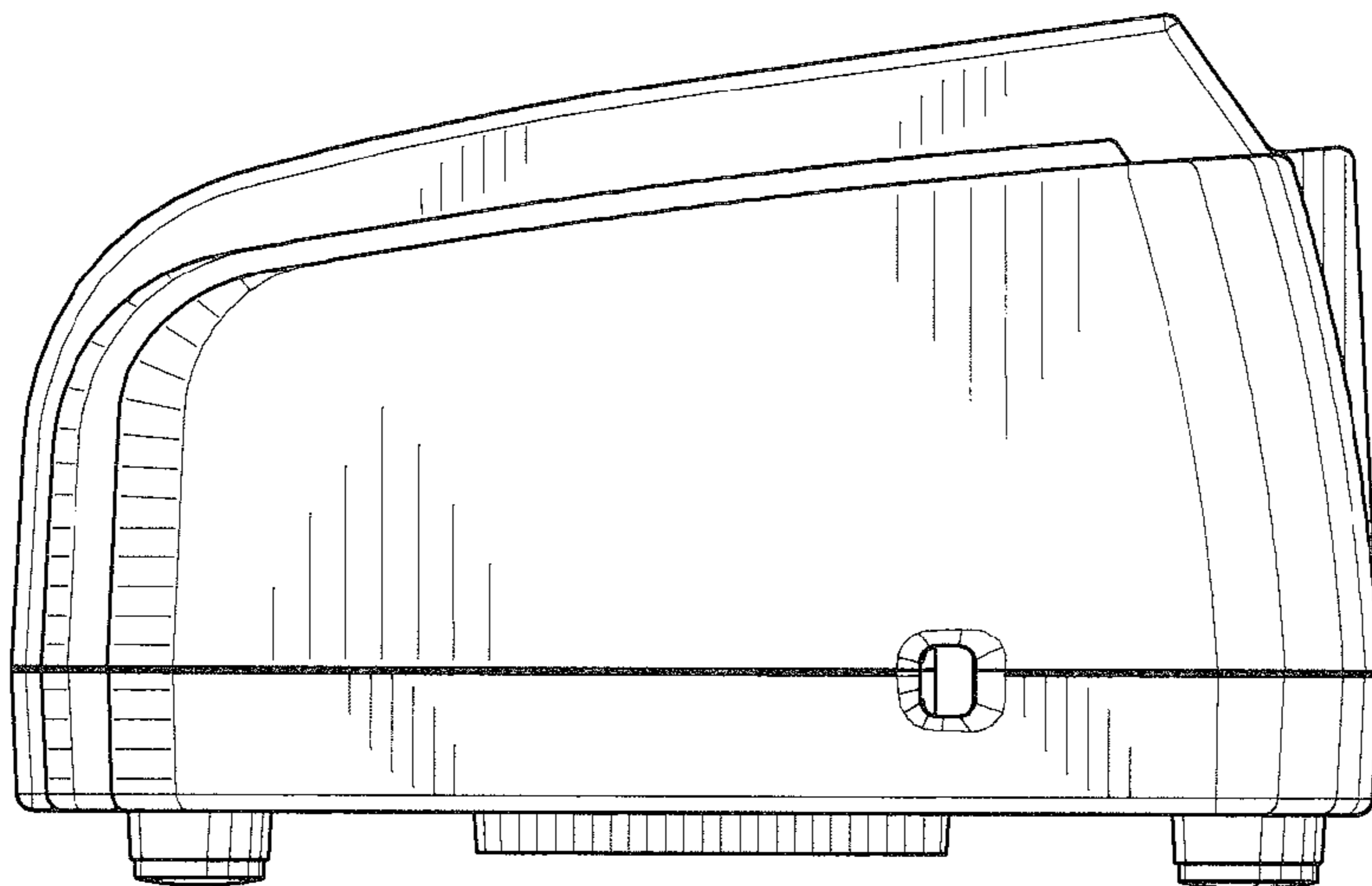


FIG. 5

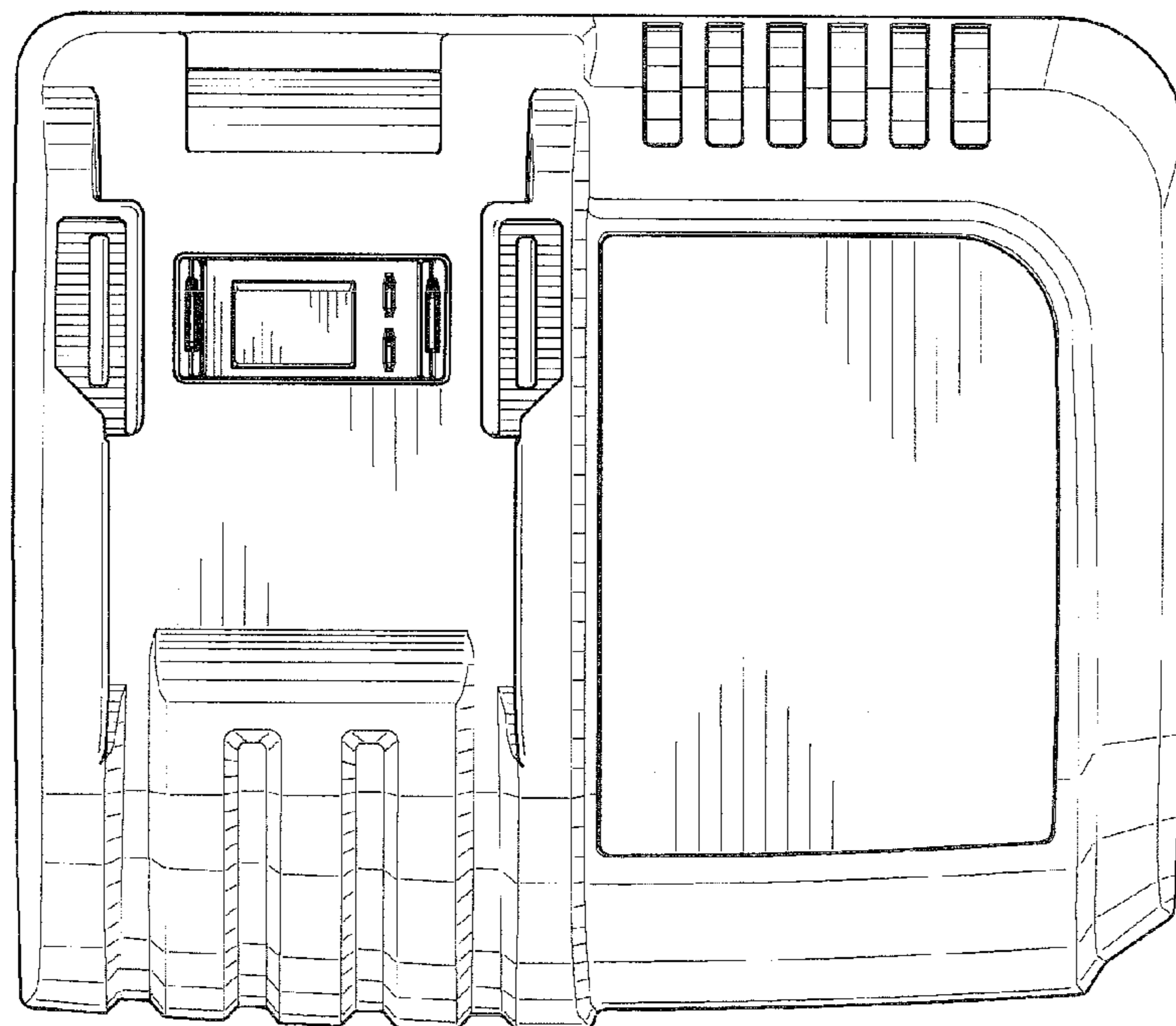


FIG. 6

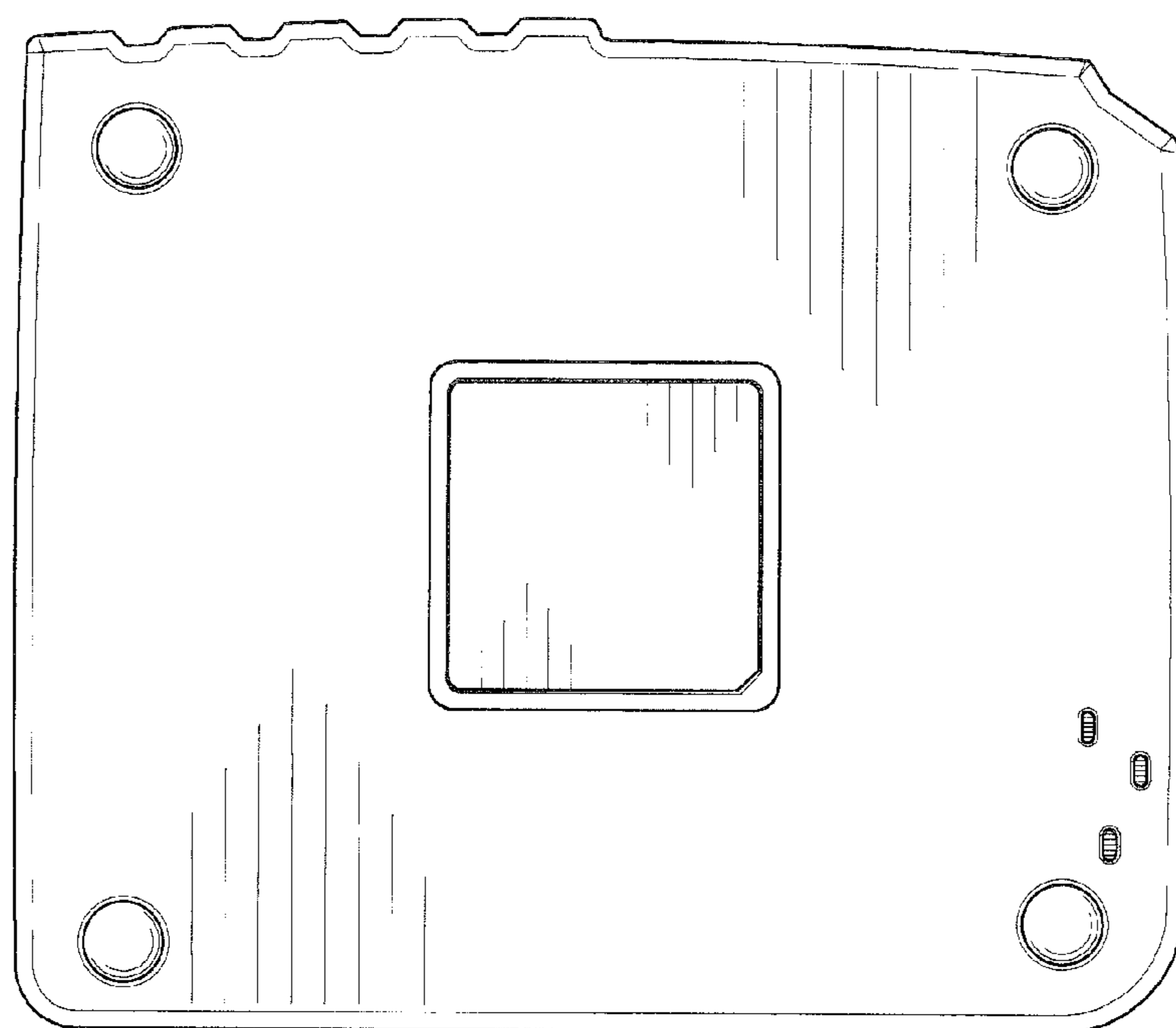


FIG. 7