



US00D635916S

(12) **United States Design Patent**
Krier

(10) **Patent No.:** **US D635,916 S**

(45) **Date of Patent:** **** Apr. 12, 2011**

- (54) **TIRE**
- (75) Inventor: **Jean-Julien Edouard Ghislain Krier**,
Bastogne (BE)
- (73) Assignee: **The Goodyear Tire & Rubber**
Company, Akron, OH (US)
- (**) Term: **14 Years**
- (21) Appl. No.: **29/376,070**
- (22) Filed: **Oct. 1, 2010**
- (51) **LOC (9) Cl.** **12-15**
- (52) **U.S. Cl.** **D12/588**
- (58) **Field of Classification Search** D12/568,
D12/586-603, 900-901, 551-556;
152/209.1-209.28, 455
See application file for complete search history.

- D607,812 S * 1/2010 Dixon et al. D12/587
- D610,969 S * 3/2010 Dixon et al. D12/587
- D610,971 S 3/2010 Zimmerman et al. D12/600
- D612,801 S * 3/2010 Scheifele D12/588
- D615,481 S * 5/2010 Gommez D12/588
- D628,146 S * 11/2010 Bachtel et al. D12/588

* cited by examiner

Primary Examiner — Stacia Cadmus

(74) *Attorney, Agent, or Firm* — Richard B. O'Planick

(57) **CLAIM**

The ornamental design for a tire, as shown and described.

DESCRIPTION

FIG. 1 is a perspective view of a tire showing my new design, it being understood that the pattern repeats uniformly throughout the circumference of the tread;

FIG. 2 is a front elevational view thereof;

FIG. 3 is a right side elevational view thereof; the opposite side elevational view being identical thereto;

FIG. 4 is an enlarged fragmentary front elevational view thereof;

FIG. 5 is a perspective view of a second embodiment of a tire showing my new design, it being understood that the pattern repeats uniformly throughout the circumference of the tread and that the opposite side view is identical thereto; and,

FIG. 6 is a front elevational view of a second embodiment, it being understood that an enlarged fragmentary view thereof would be substantially identical to that shown in FIG. 4, with the exception of the inclusion of the sidewall in solid lines.

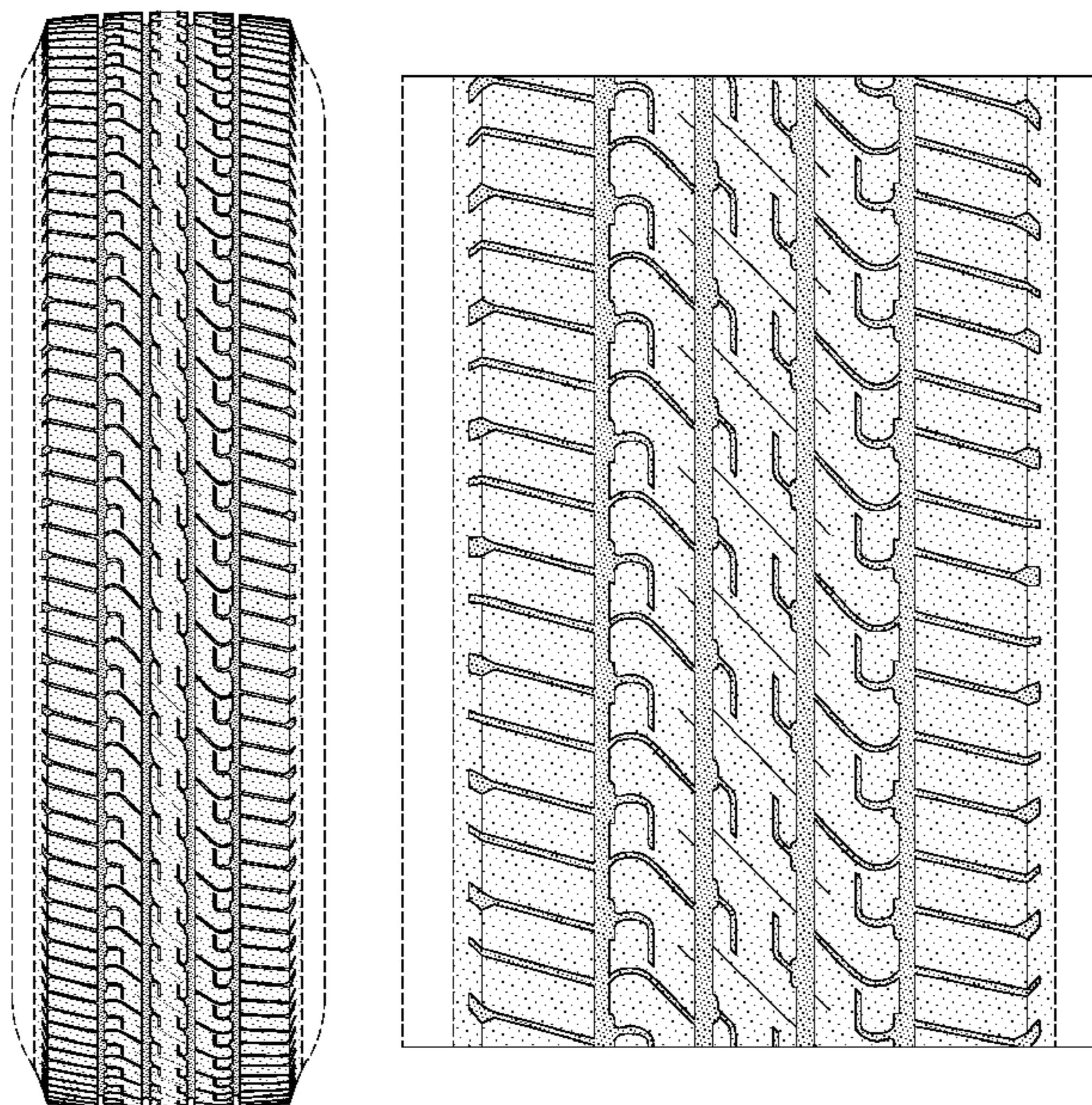
In the drawings, the broken lines showing of the sidewall, inner bead and the peripheral boundary between the tire tread and the sidewall in FIGS. 1 through 4 depict environmental subject matter and form no part of the claimed design.

(56) **References Cited**

U.S. PATENT DOCUMENTS

| | | | | |
|------------|---|---------|------------------------|---------|
| D367,445 S | * | 2/1996 | Attinello et al. | D12/588 |
| D381,606 S | | 7/1997 | Graas et al. | D12/147 |
| D381,944 S | * | 8/1997 | Regallis et al. | D12/588 |
| D394,034 S | | 5/1998 | Feider et al. | D12/147 |
| D419,115 S | * | 1/2000 | Weber et al. | D12/588 |
| D436,900 S | * | 1/2001 | Buresh et al. | D12/588 |
| D444,740 S | | 7/2001 | Le et al. | D12/146 |
| D448,707 S | | 10/2001 | Maziarka et al. | D12/147 |
| D473,513 S | | 4/2003 | Welbes | D12/588 |
| D483,007 S | * | 12/2003 | Brayer et al. | D12/588 |
| D488,770 S | * | 4/2004 | Sundkvist et al. | D12/588 |
| D504,391 S | | 4/2005 | Maziarka | D12/601 |
| D531,572 S | * | 11/2006 | Schmalix et al. | D12/588 |
| D534,858 S | | 1/2007 | Le et al. | D12/553 |
| D535,611 S | * | 1/2007 | Sundkvist et al. | D12/588 |
| D554,053 S | | 10/2007 | Feider et al. | D12/588 |
| D554,055 S | | 10/2007 | Beauguitte et al. | D12/600 |
| D588,984 S | * | 3/2009 | Lee | D12/588 |

1 Claim, 6 Drawing Sheets



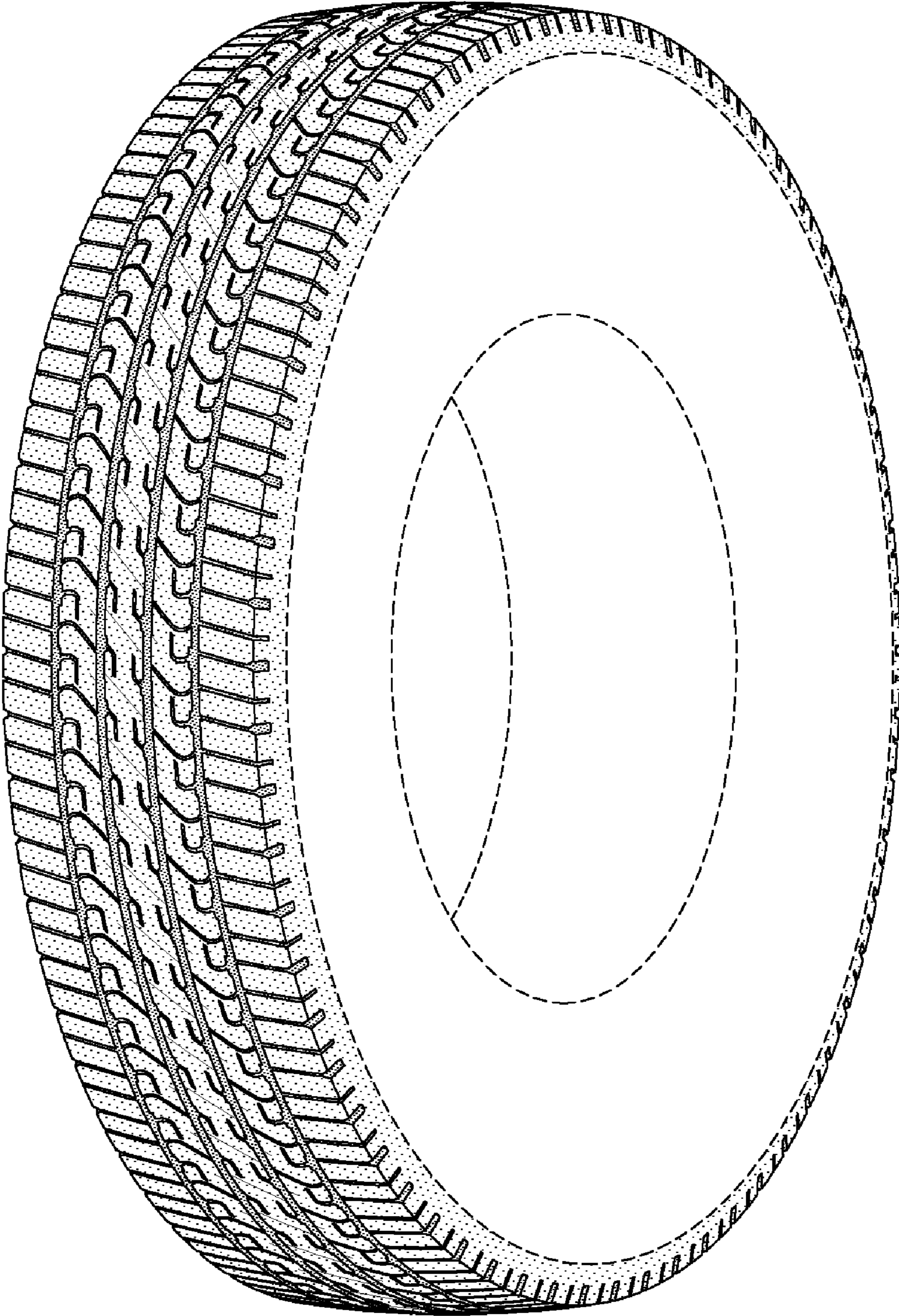


FIG-1

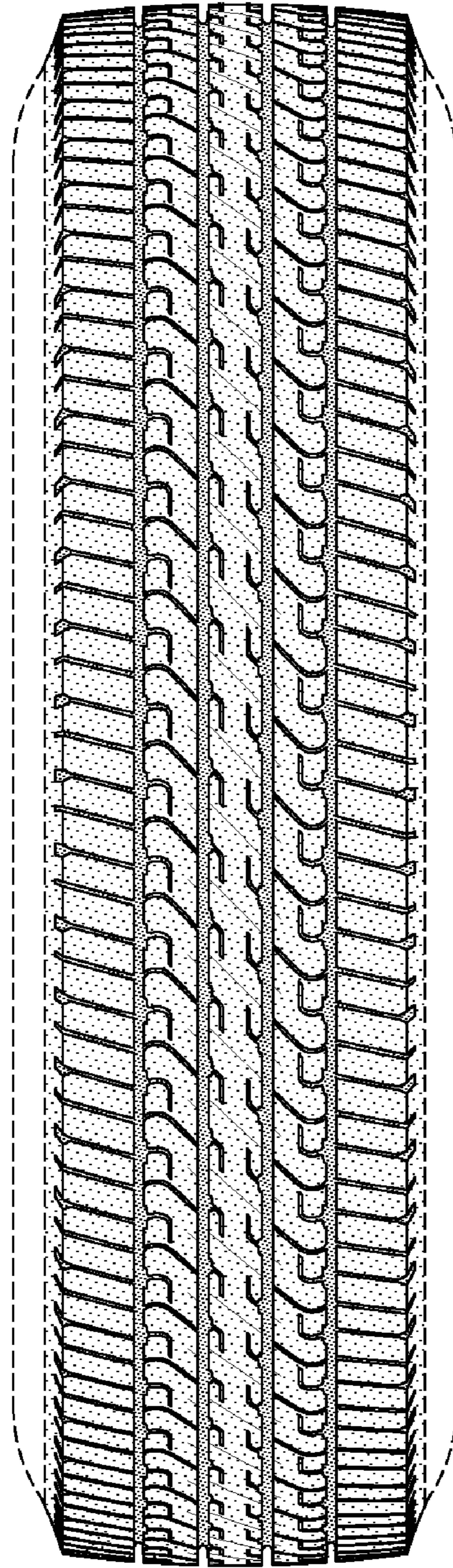


FIG-2

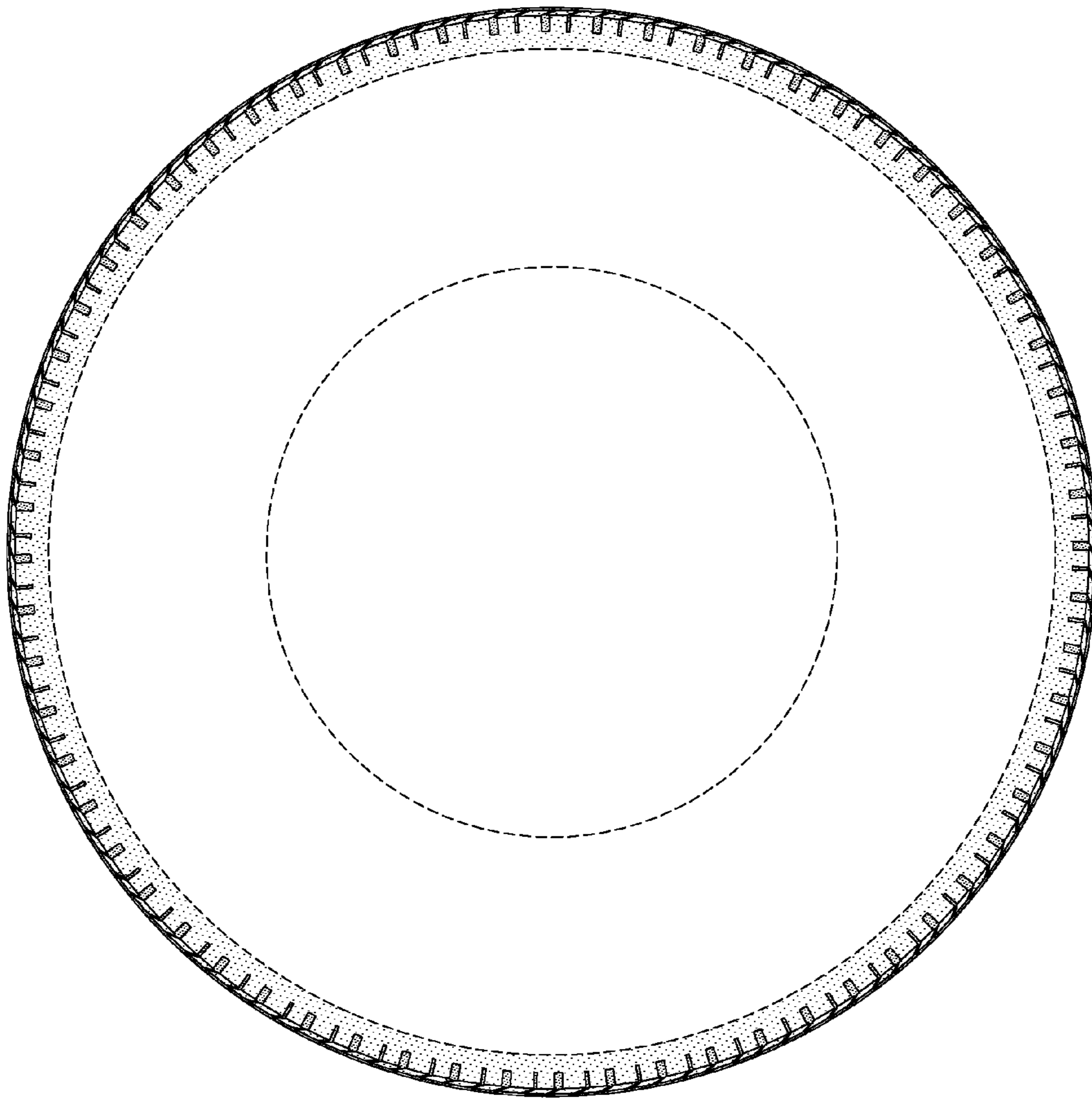


FIG-3

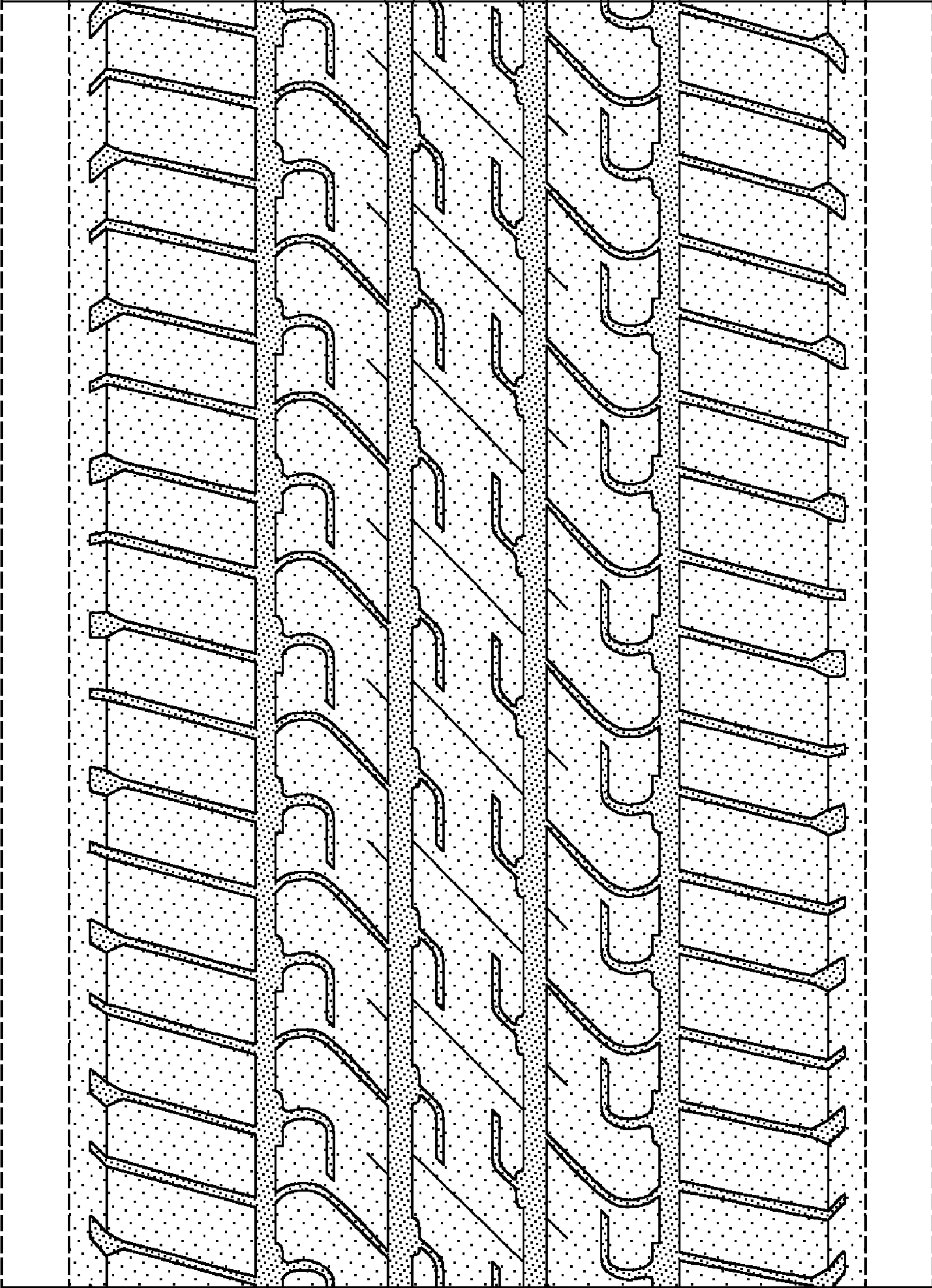


FIG-4

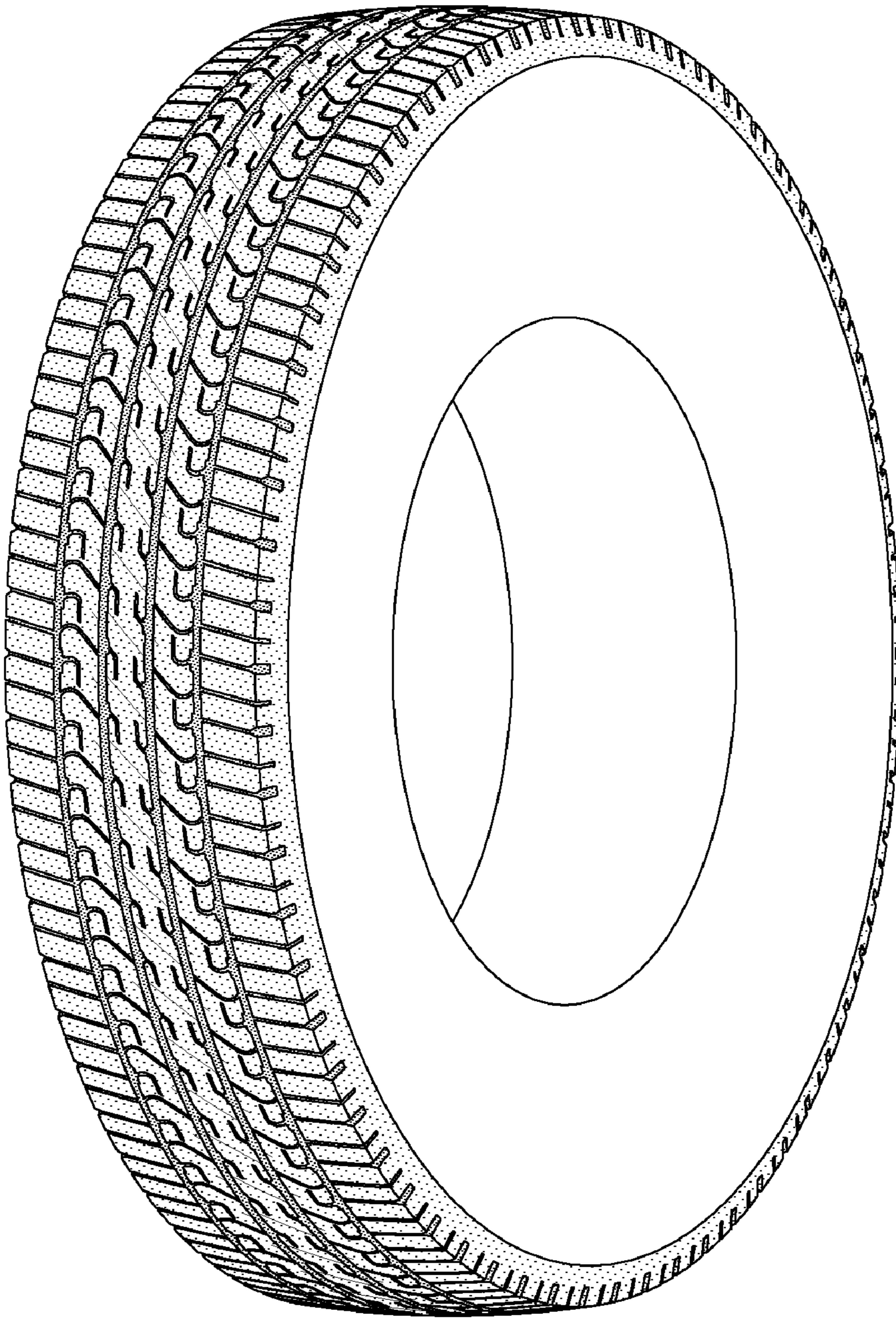


FIG-5

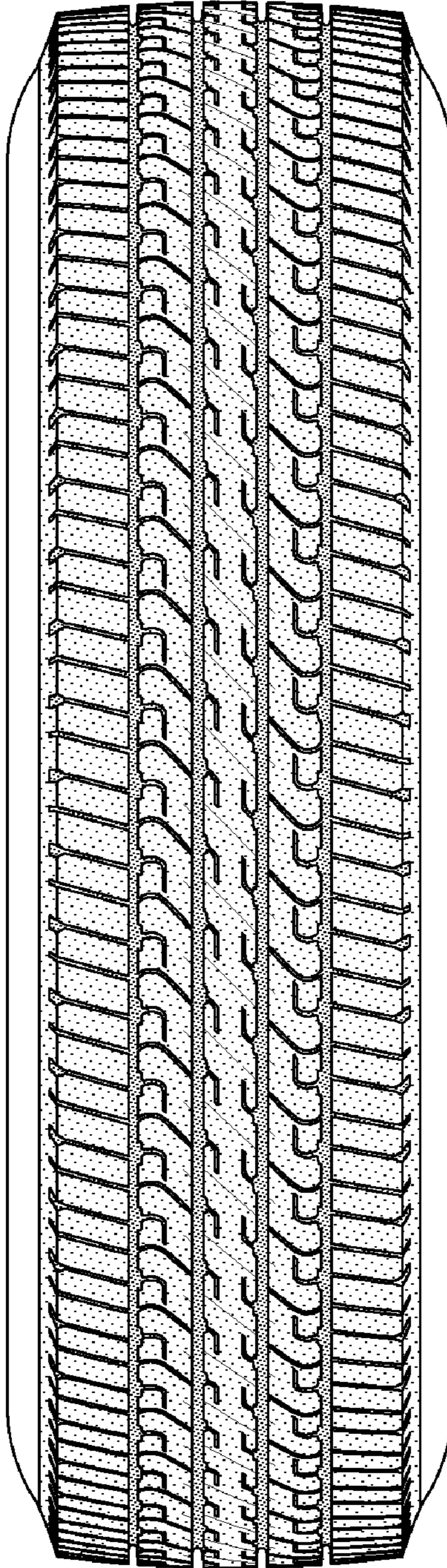


FIG-6