



US00D635913S

(12) **United States Design Patent**
Ono

(10) **Patent No.:** **US D635,913 S**
(45) **Date of Patent:** **** Apr. 12, 2011**

(54) **TIRE TREAD**

(75) Inventor: **Hiroaki Ono**, Tokyo (JP)
(73) Assignee: **Bridgestone Corporation**, Tokyo (JP)
(**) Term: **14 Years**
(21) Appl. No.: **29/331,829**
(22) Filed: **Feb. 2, 2009**

(30) **Foreign Application Priority Data**

Aug. 5, 2008 (JP) 2008-020137

(51) **LOC (9) Cl.** **12-15**
(52) **U.S. Cl.** **D12/570**
(58) **Field of Classification Search** D12/568-603;
152/209.1, 209.8, 209.9, 209.12, 209.18,
152/209.25

See application file for complete search history.

(56) **References Cited**

U.S. PATENT DOCUMENTS

D177,233 S * 3/1956 Hawkinson D12/598
3,030,998 A * 4/1962 Jensen 152/209.19
3,841,372 A * 10/1974 Boileau 152/209.1

FOREIGN PATENT DOCUMENTS

CN 3599998D S 1/2007

* cited by examiner

Primary Examiner — Caron Veynar

Assistant Examiner — George D Kirschbaum

(74) *Attorney, Agent, or Firm* — Sughrue Mion, PLLC

(57) **CLAIM**

The ornamental design for a tire tread, shown and described.

DESCRIPTION

FIG. 1 is a perspective view of a tire tread, it being understood that the tread pattern repeats uniformly throughout the circumference of the tire.

FIG. 2 is a front elevation view thereof.

FIG. 3 is a left side elevation view thereof; and,

FIG. 4 is an enlarged fragmentary front view thereof.

The broken lines shown in the drawings are for the purpose of showing environmental structure only and form no part of the claimed design.

1 Claim, 4 Drawing Sheets

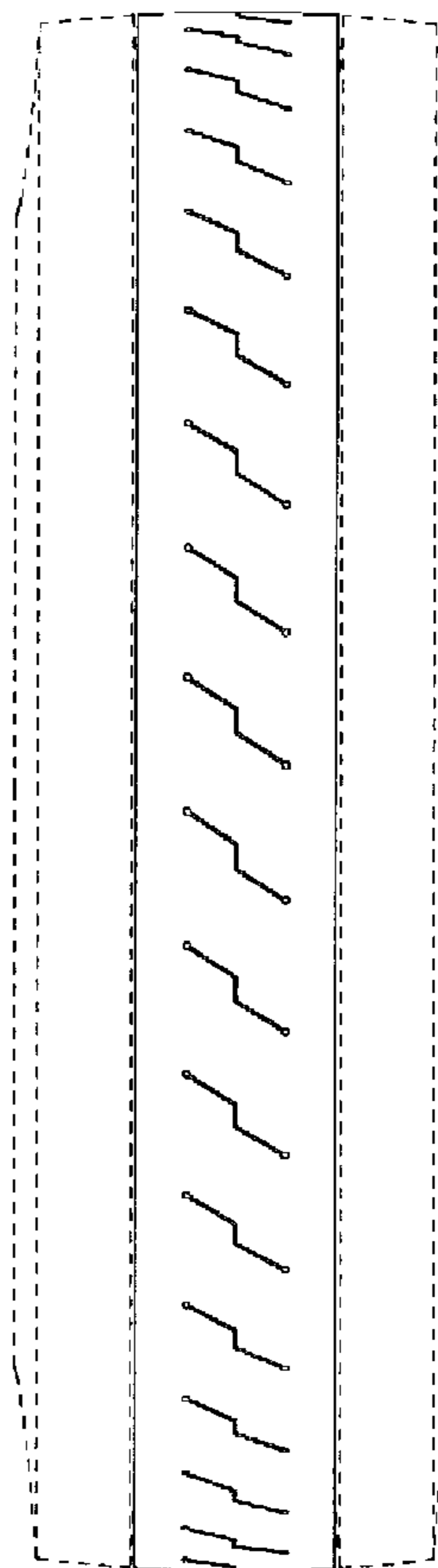
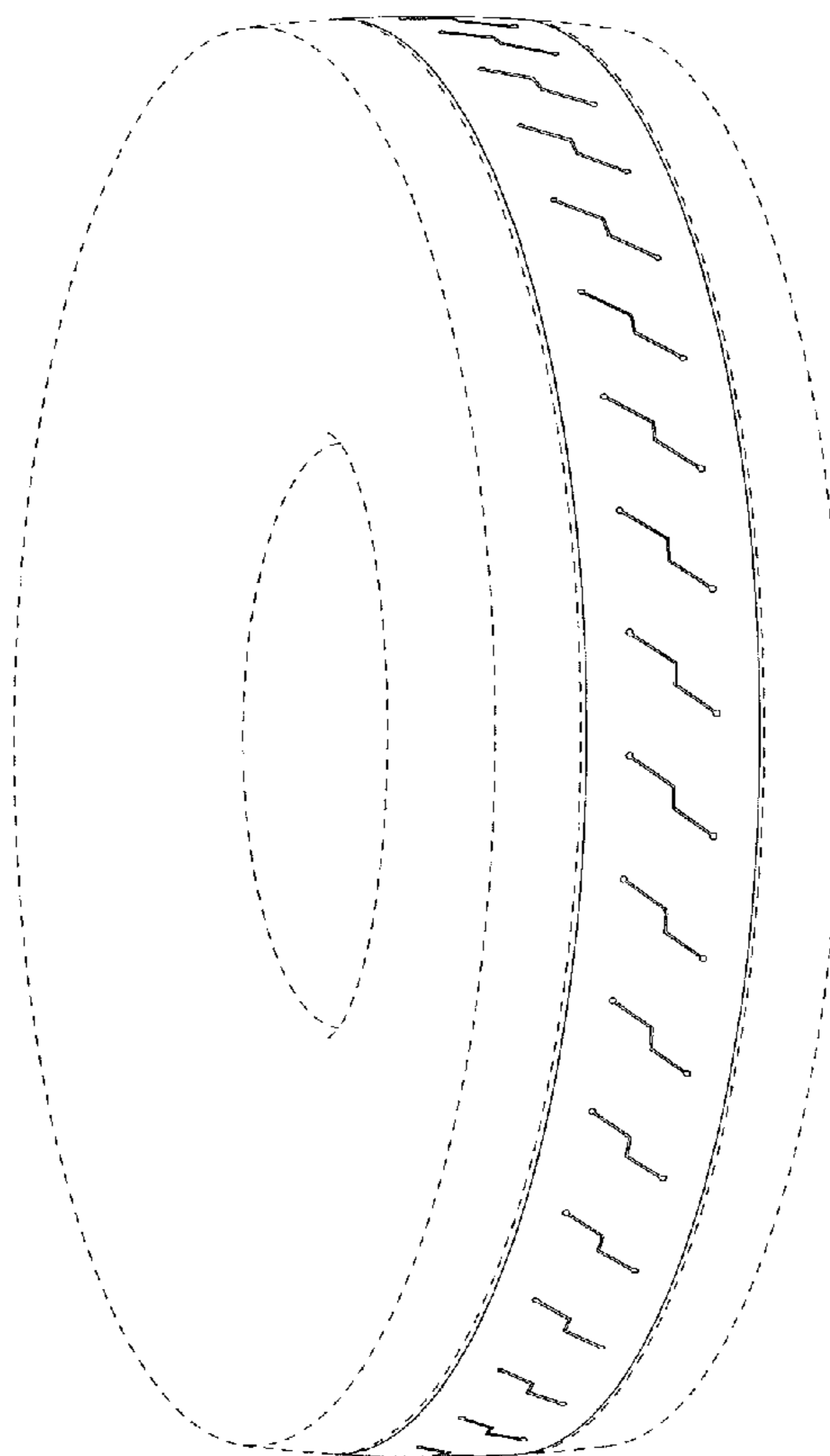


FIG. 1

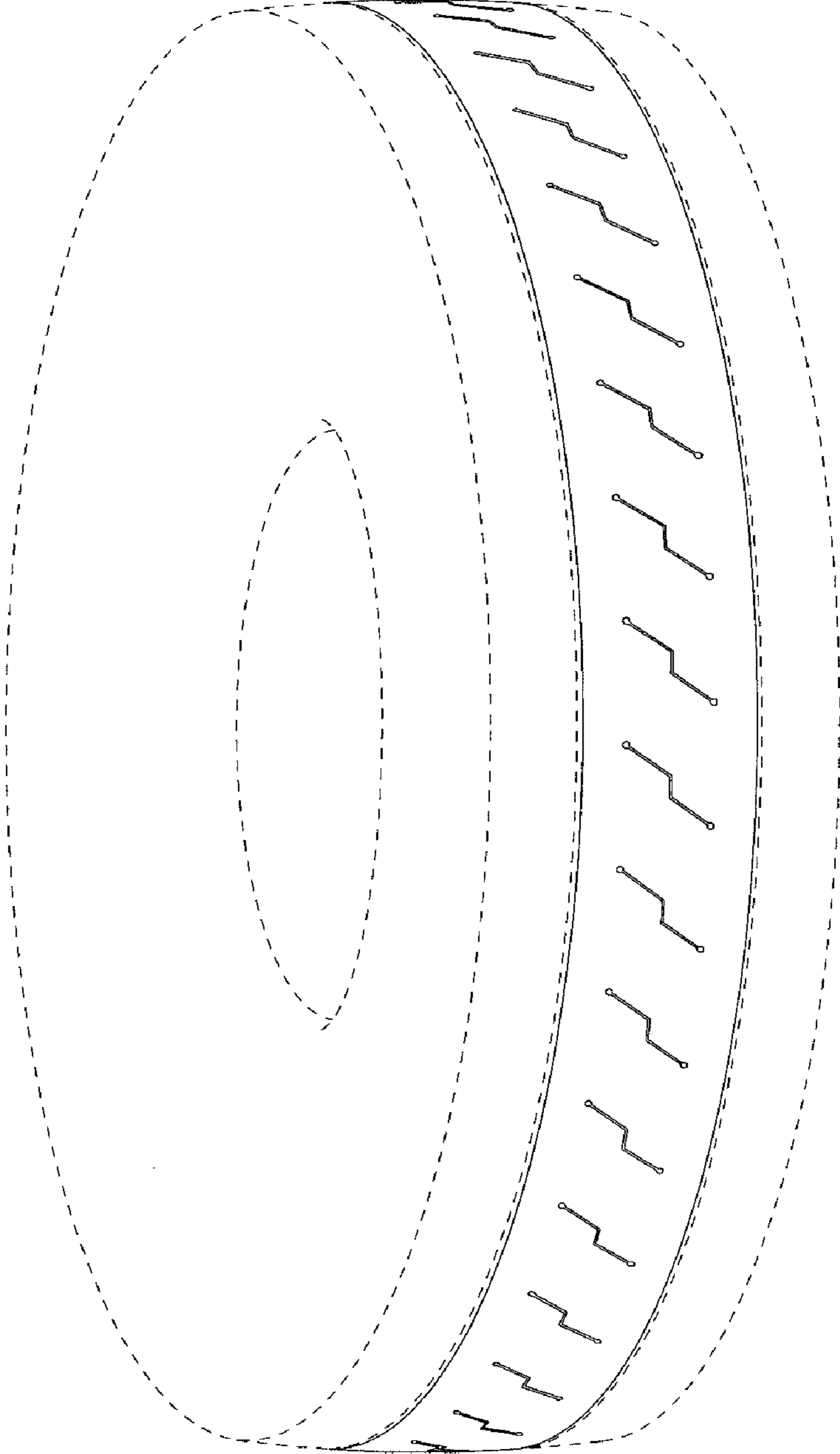


FIG. 2

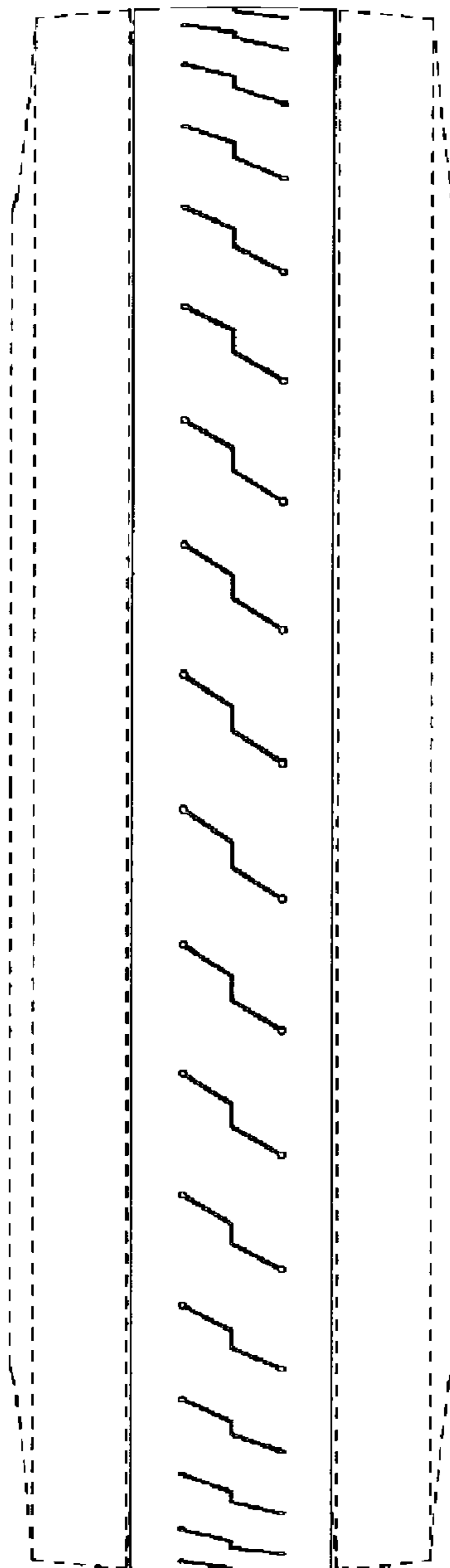


FIG. 3

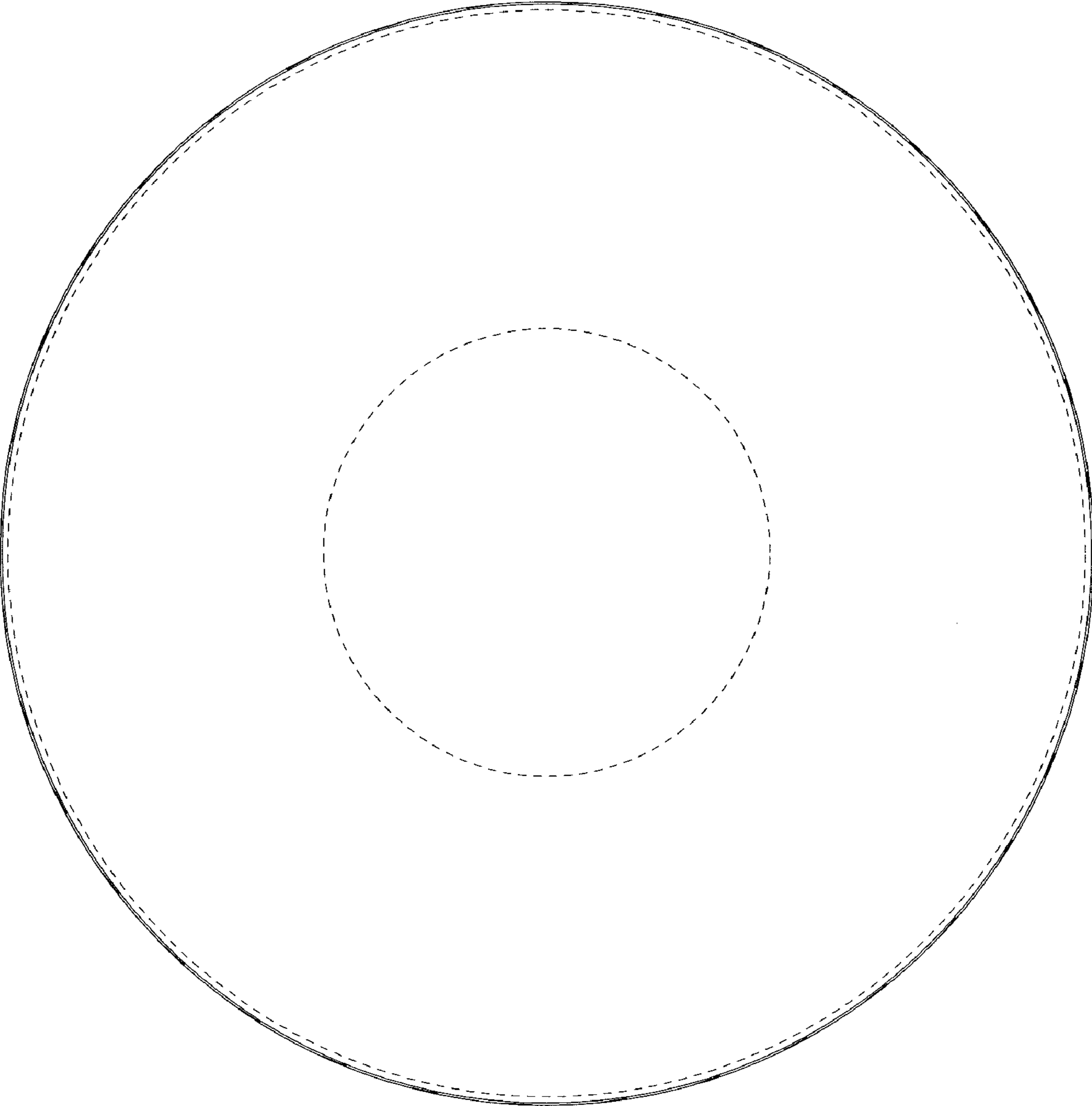


FIG. 4

