



US00D635909S

(12) **United States Design Patent**  
**Moore**

(10) **Patent No.:** **US D635,909 S**

(45) **Date of Patent:** **\*\* Apr. 12, 2011**

(54) **VEHICLE RACK**

(76) Inventor: **Kevin Moore**, Glendale, AZ (US)

(\*\*) Term: **14 Years**

(21) Appl. No.: **29/372,271**

(22) Filed: **Nov. 2, 2010**

(51) **LOC (9) Cl.** ..... **12-16**

(52) **U.S. Cl.** ..... **D12/406**

(58) **Field of Classification Search** ..... D12/413,  
D12/414, 406, 412, 414.1; 293/37.1, 3, 100;  
224/309-310, 315-316, 323-329, 400; D6/552,  
D6/317-319, 513-514; D3/304-306; 280/760-762,  
280/848, 727, 769; 296/99.1, 37.1, 100.01,  
296/100.02, 157; 206/213, 8, 9, 279, 290,  
206/713, 335, 315.1-315.4; D32/35, 58  
See application file for complete search history.

(56) **References Cited**

U.S. PATENT DOCUMENTS

2,492,841	A	12/1949	Burkey	
2,772,799	A	12/1956	Bridinger	
2,785,816	A	3/1957	Fisher	
4,011,632	A *	3/1977	MacDonald	410/99
4,630,990	A	12/1986	Whiting	
4,957,400	A	9/1990	Karp	
4,984,837	A	1/1991	Dise	
5,649,656	A	7/1997	Davy	
D387,722	S *	12/1997	Fujinaka	D12/167

5,800,106	A *	9/1998	Miller	410/117
6,315,327	B1	11/2001	Woolsey	
6,454,149	B1 *	9/2002	Moore	224/405
6,695,556	B2 *	2/2004	Addy	410/97
D493,588	S *	7/2004	DeFelice	D32/35
D500,182	S *	12/2004	DeFelice	D32/35
D501,728	S *	2/2005	Conway et al.	D4/199
2007/0062991	A1	3/2007	Long	
2009/0058148	A1	3/2009	Garrity	

\* cited by examiner

*Primary Examiner* — Caron Veynar

*Assistant Examiner* — Katrina A Kile

(74) *Attorney, Agent, or Firm* — The Halvorson Law Firm

(57) **CLAIM**

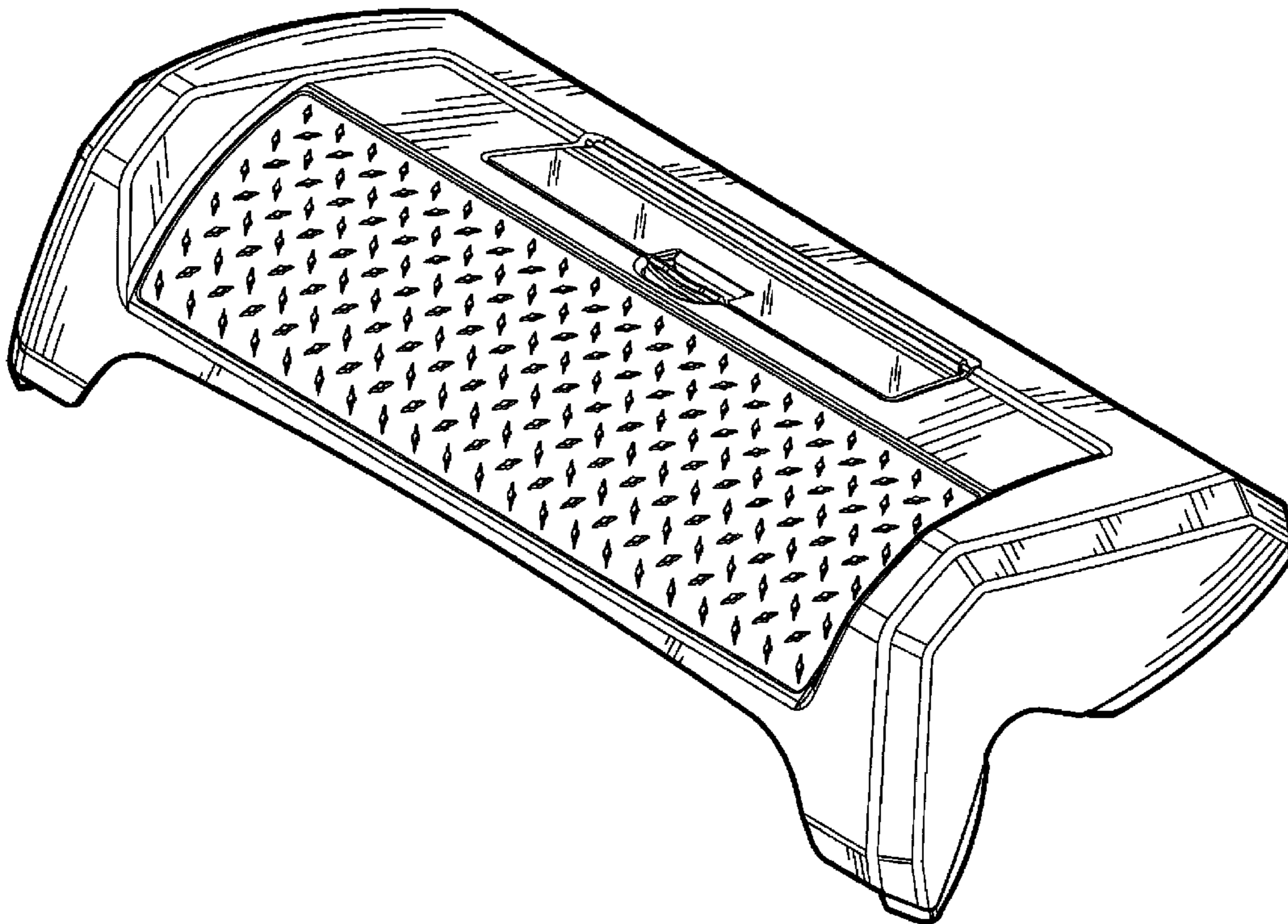
The ornamental design for a vehicle rack, as shown and described.

**DESCRIPTION**

FIG. 1 is a perspective view of the vehicle rack;  
FIG. 2 is a front view of the vehicle rack;  
FIG. 3 is a rear view of the vehicle rack;  
FIG. 4 is an end view of the vehicle rack;  
FIG. 5 is a second end view of the vehicle rack;  
FIG. 6 is a top view of the vehicle rack;  
FIG. 7 is a bottom view of the vehicle rack; and,  
FIG. 8 is a second perspective view illustrating the bottom features of the vehicle rack.

In the drawing FIGS. 7 and 8 the broken lines depict portions of the design that form no part of the claim.

**1 Claim, 6 Drawing Sheets**



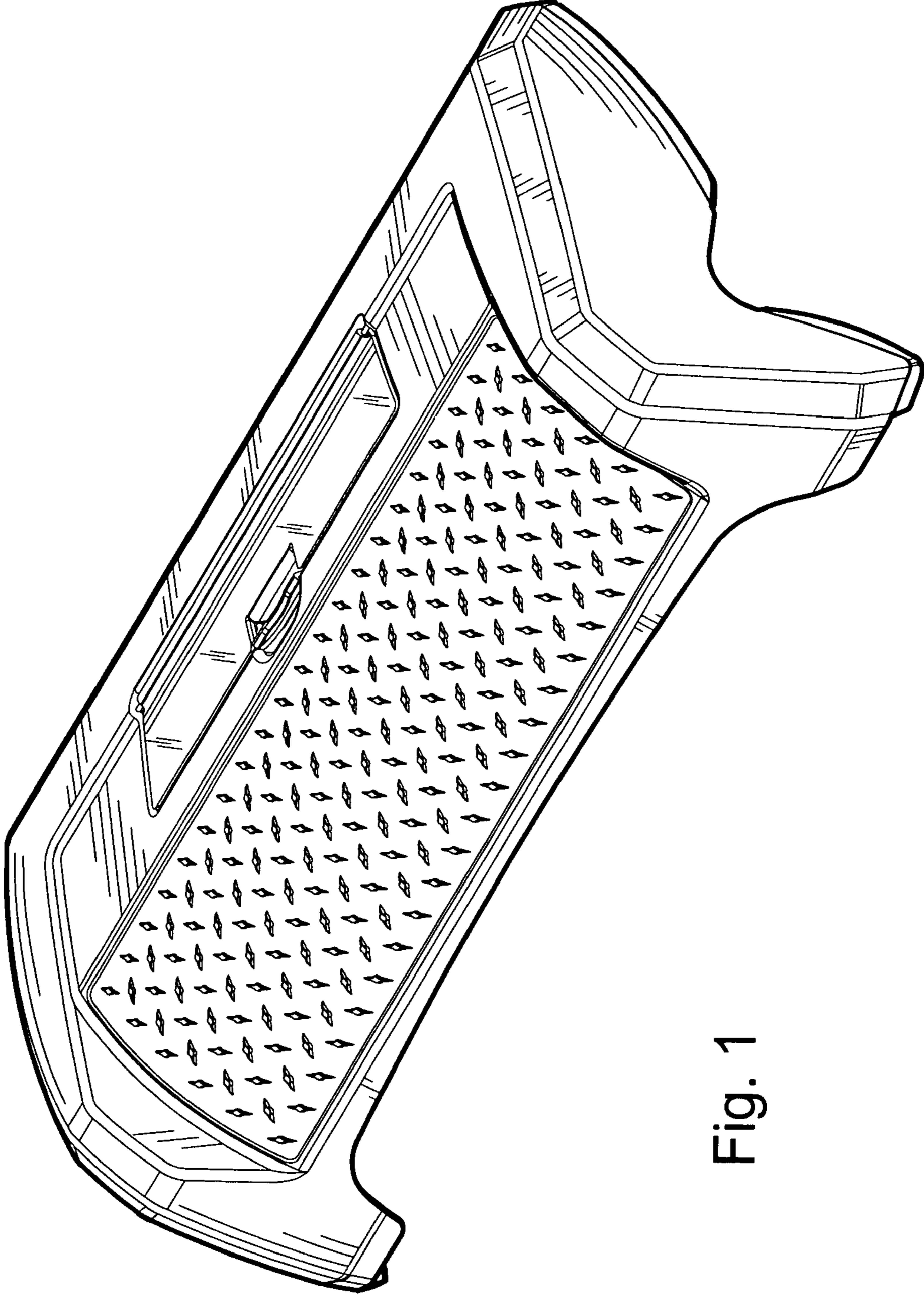


Fig. 1

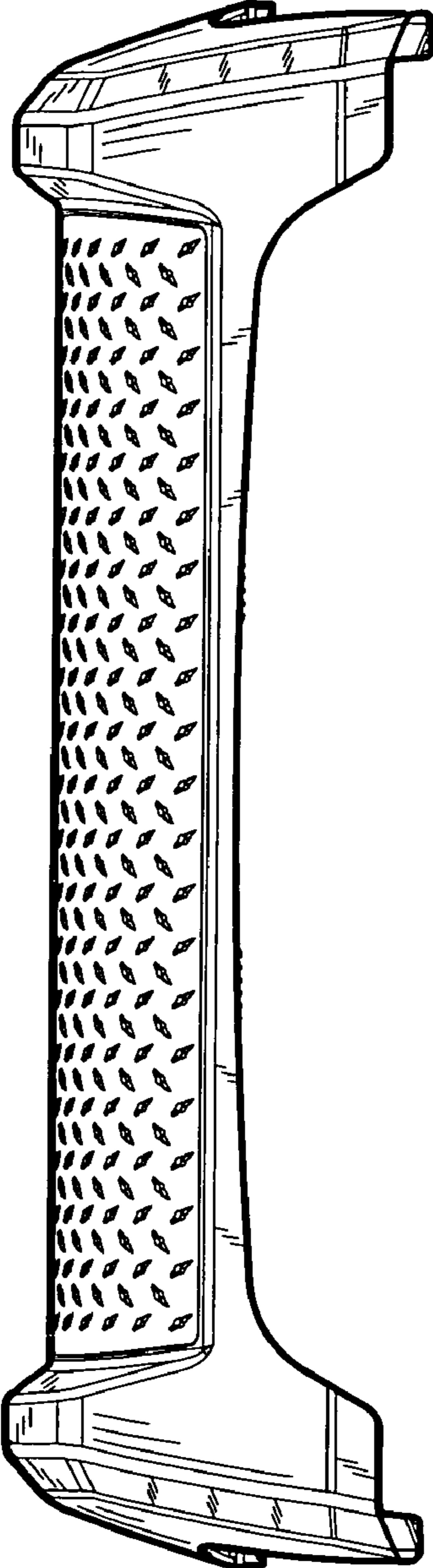


Fig. 2

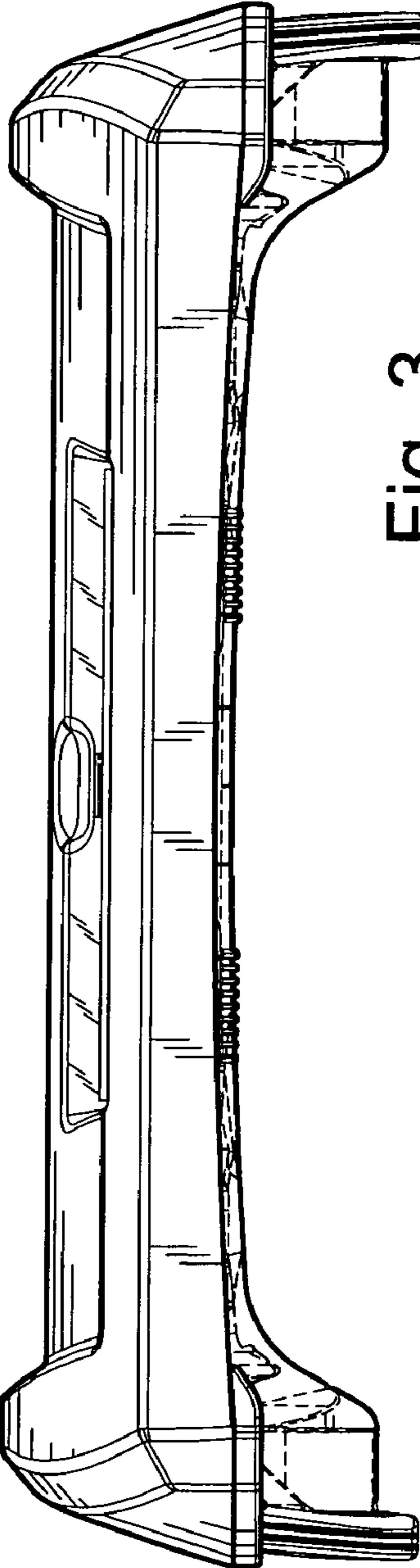


Fig. 3

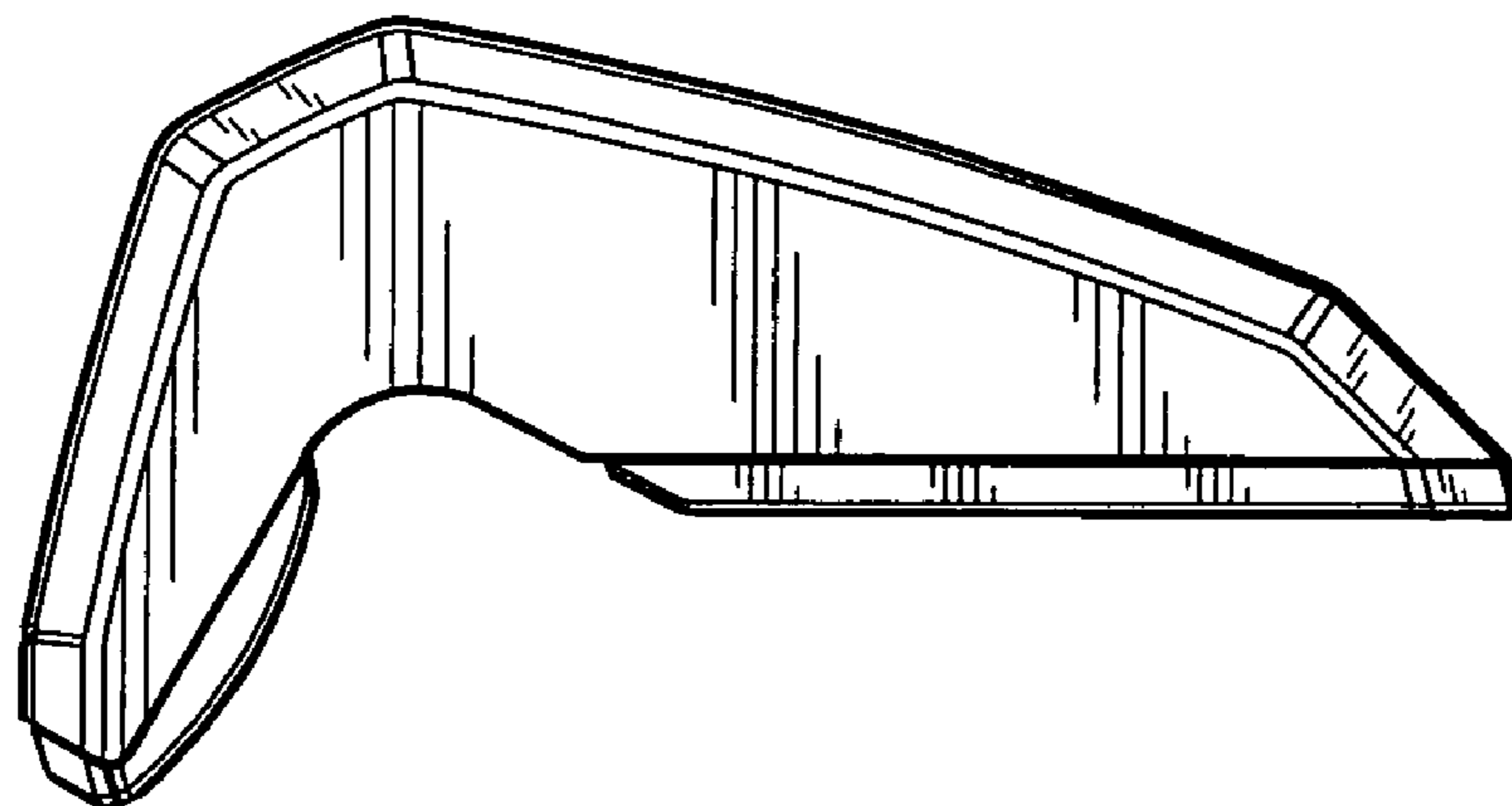


Fig. 4

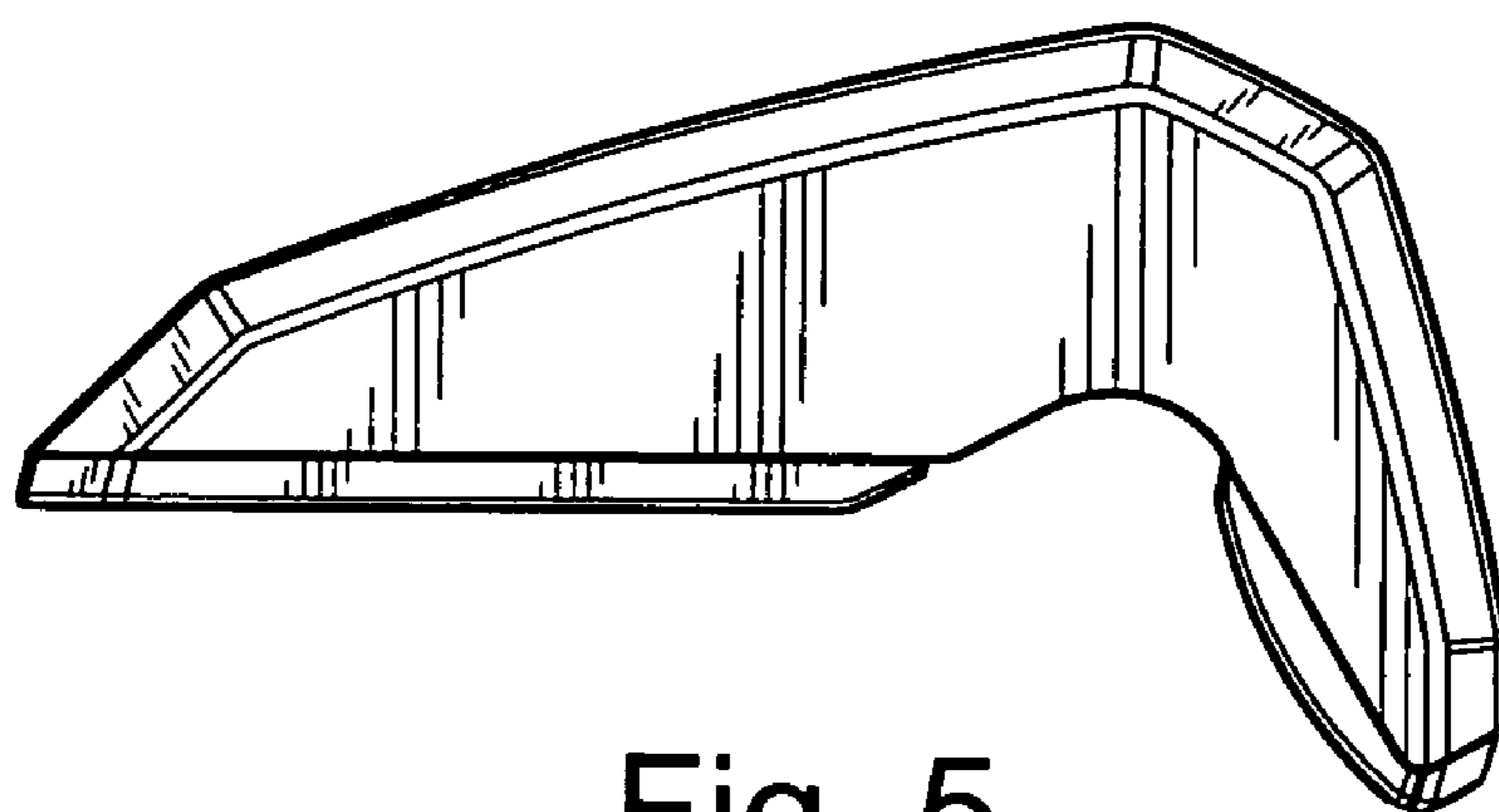


Fig. 5

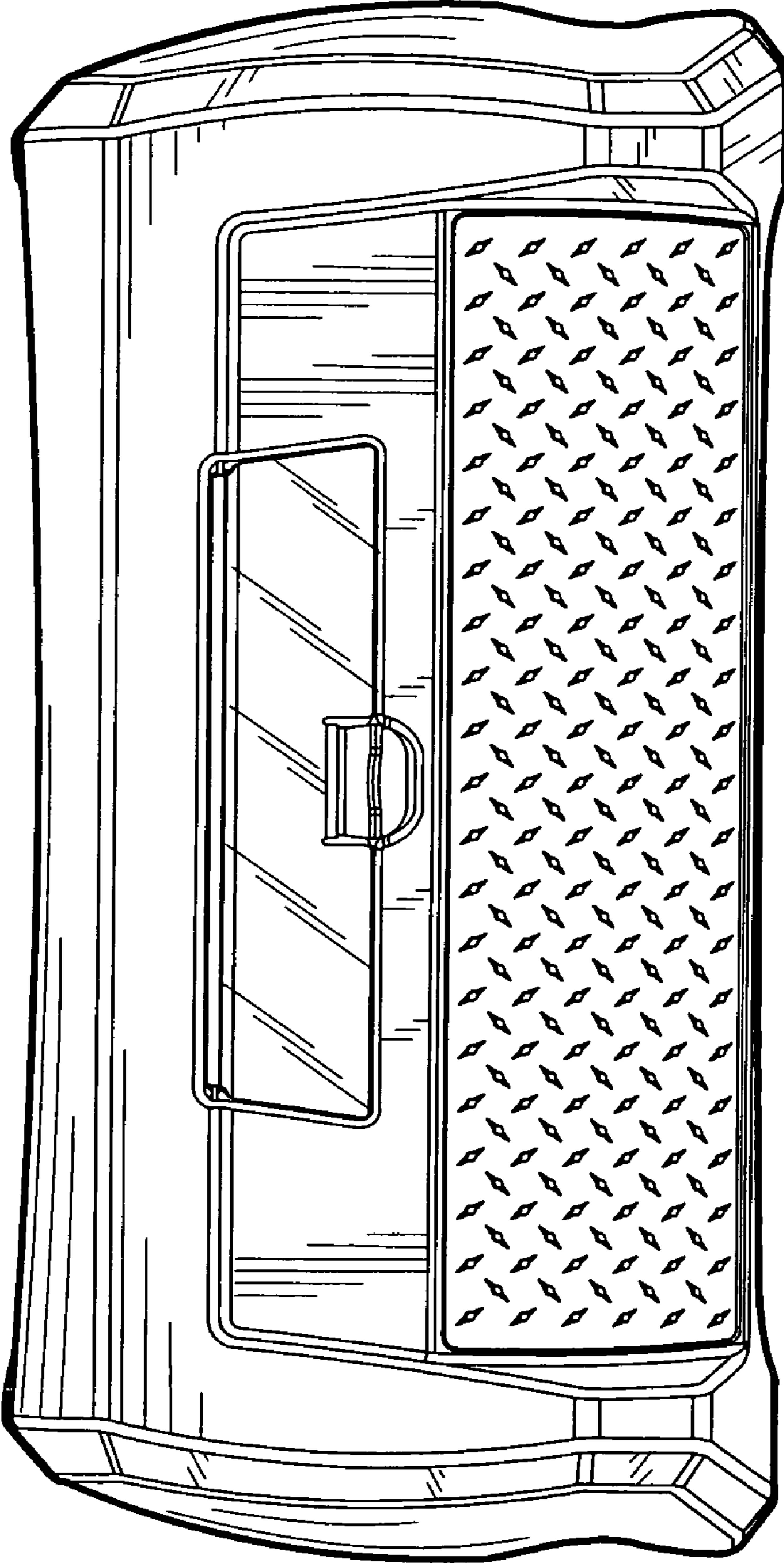


Fig. 6

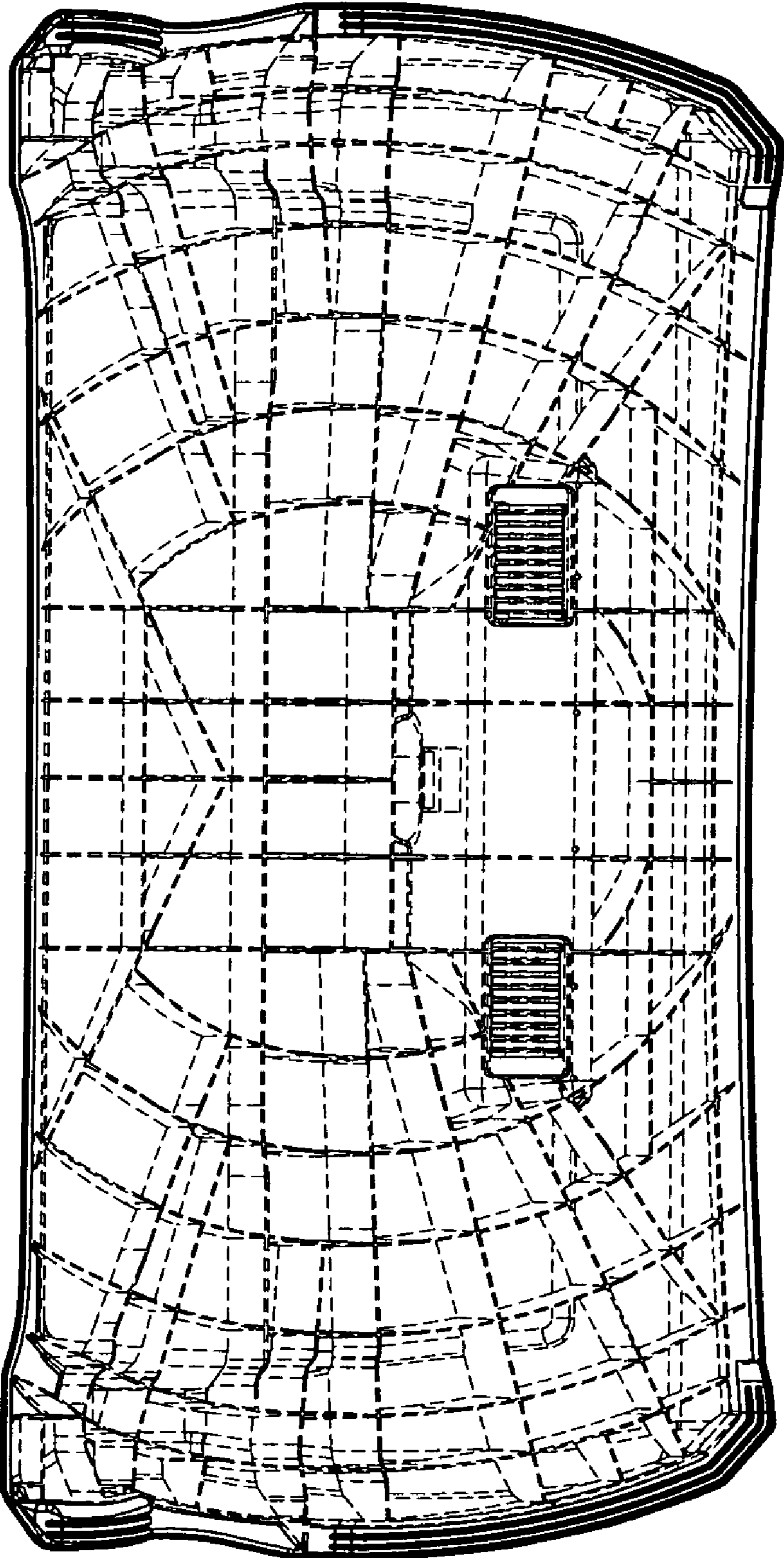


Fig. 7

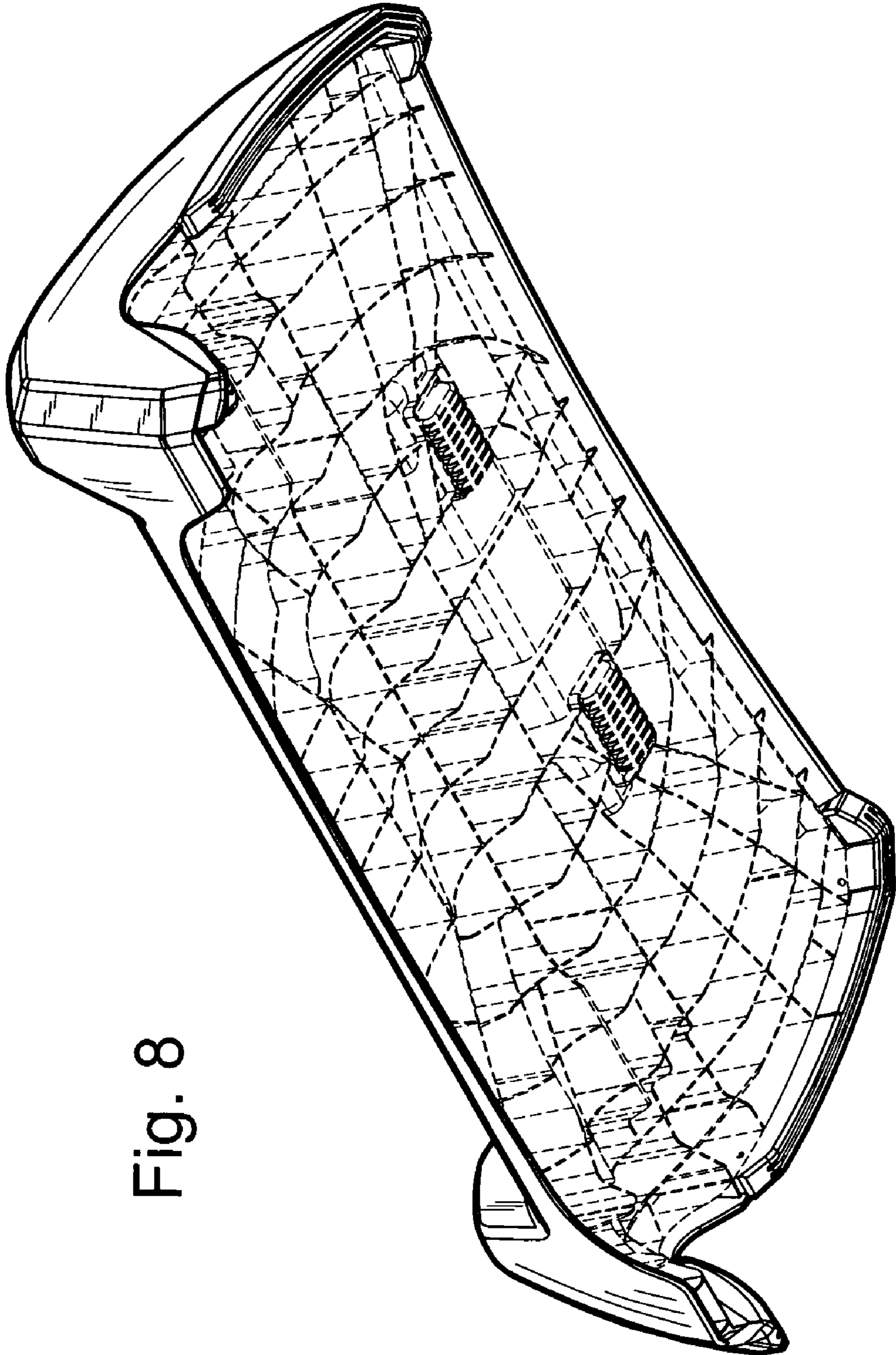


Fig. 8