



US00D635908S

(12) **United States Design Patent**
Batchelor

(10) **Patent No.:** **US D635,908 S**

(45) **Date of Patent:** **** *Apr. 12, 2011**

(54) **WHEEL SPOKE RIM**

(76) Inventor: **Robert Batchelor**, Ontario, CA (US)

(*) Notice: This patent is subject to a terminal disclaimer.

(**) Term: **14 Years**

(21) Appl. No.: **29/366,602**

(22) Filed: **Jul. 27, 2010**

(51) **LOC (9) Cl.** **12-16**

(52) **U.S. Cl.** **D12/211**

(58) **Field of Classification Search** D12/204-213;
301/37.101, 64.101, 65, 64.201

See application file for complete search history.

(56) **References Cited**

U.S. PATENT DOCUMENTS

D459,692 S *	7/2002	Vian	D12/211
D463,349 S *	9/2002	Vian	D12/209
D470,812 S *	2/2003	Chu	D12/211
D505,905 S *	6/2005	Walbey, Jr.	D12/209
D512,361 S *	12/2005	Cornell	D12/211
D534,851 S *	1/2007	Kim	D12/209

D549,634 S *	8/2007	Foose	D12/211
D573,933 S *	7/2008	Young	D12/209
D578,458 S *	10/2008	Cortes	D12/211
D578,459 S *	10/2008	Hetrick	D12/211
D585,808 S *	2/2009	Hetrick	D12/211
D597,012 S *	7/2009	Chung	D12/211
D620,869 S *	8/2010	Groom	D12/211

* cited by examiner

Primary Examiner — Stacia Cadmus

(74) *Attorney, Agent, or Firm* — Darwin G. Adli; Adli Law Group P.C.

(57) **CLAIM**

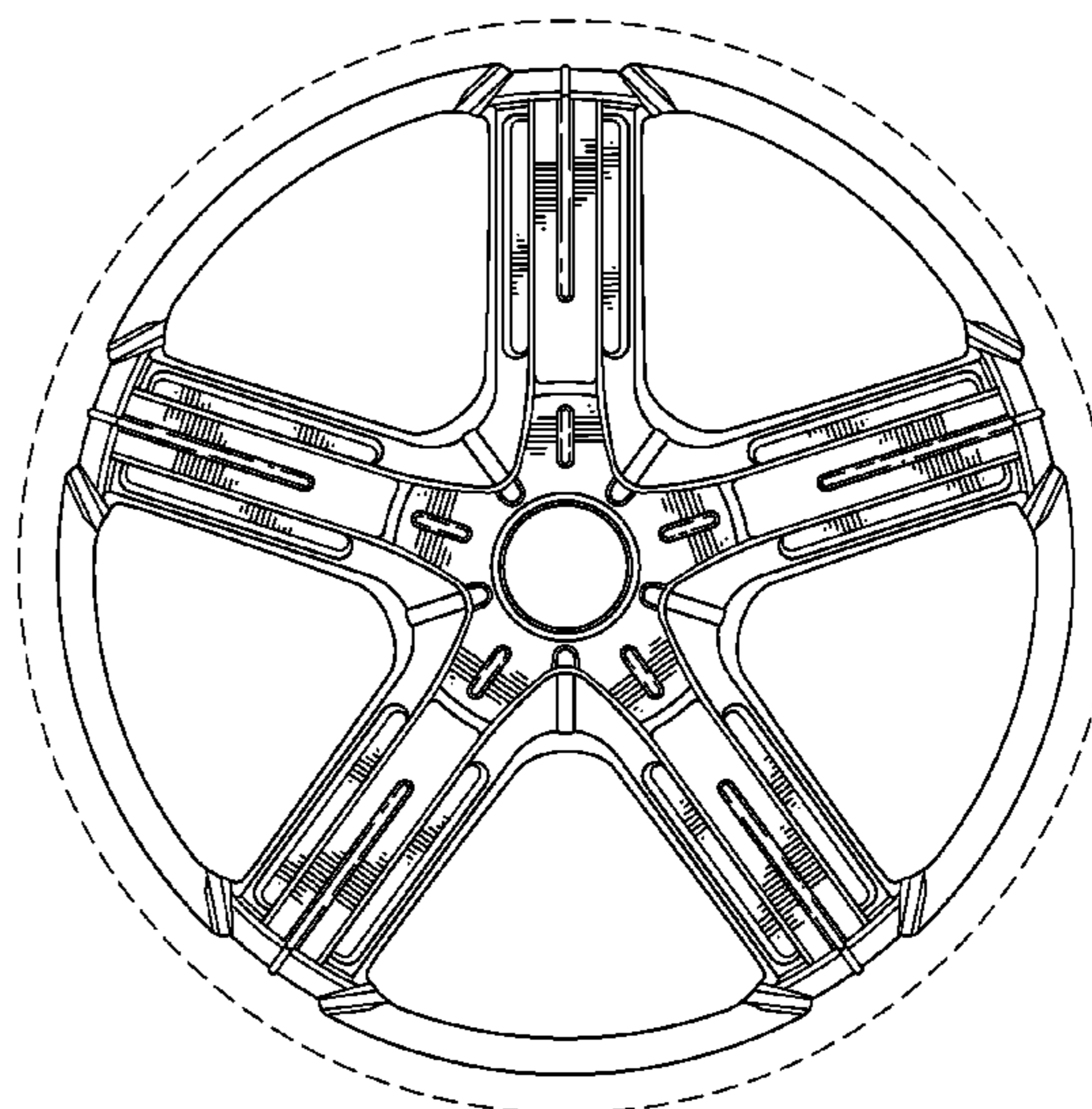
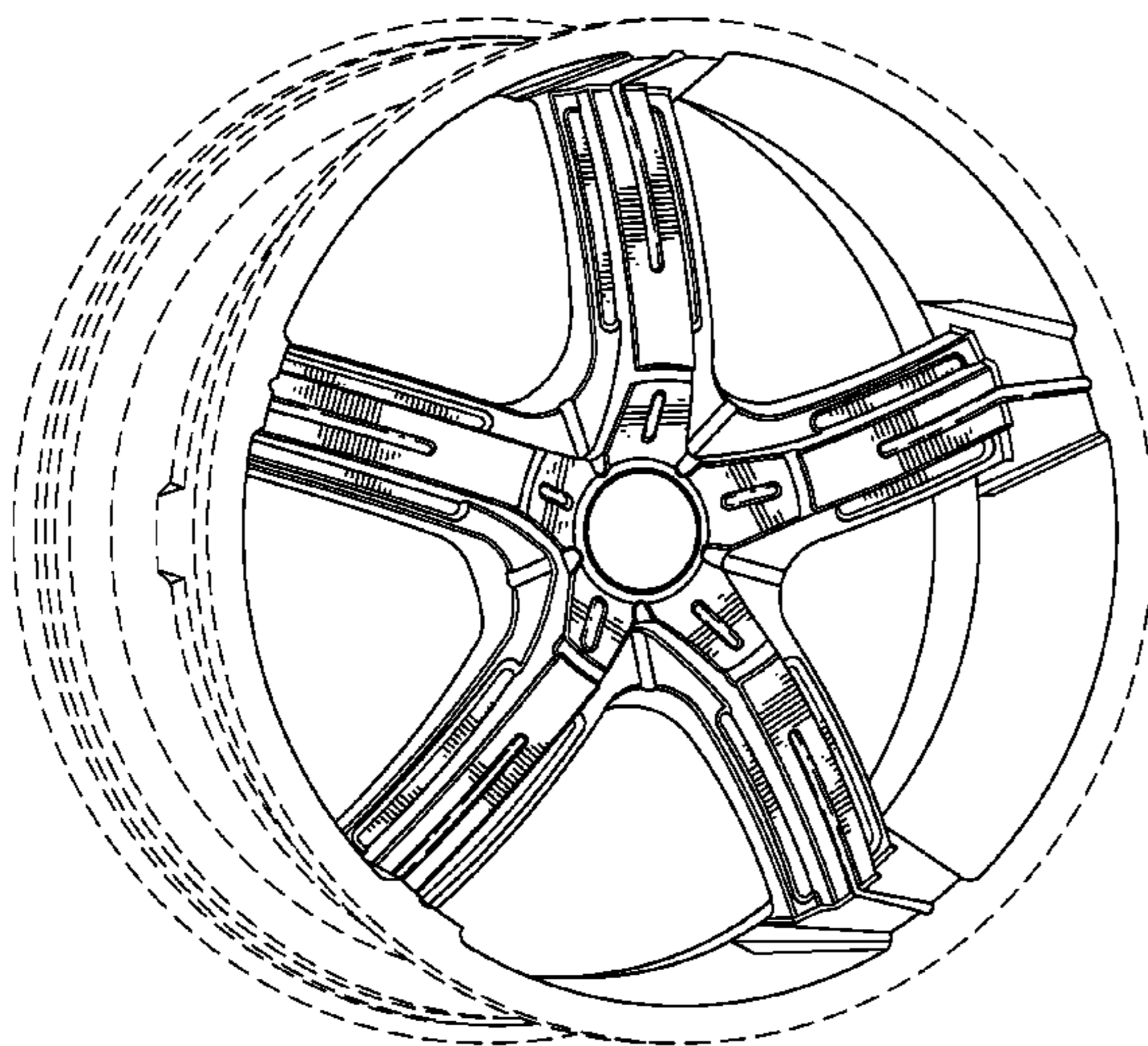
The ornamental design for a wheel spoke rim, as shown and described.

DESCRIPTION

FIG. 1 is a perspective view of the wheel spoke rim; FIG. 2 is a front view of the wheel spoke rim; and, FIG. 3 is a side view of the wheel spoke rim, with other sides being mirror images thereof.

The broken line showing of the rim is included for the purpose of illustrating environment and forms no part of the claimed design.

1 Claim, 2 Drawing Sheets



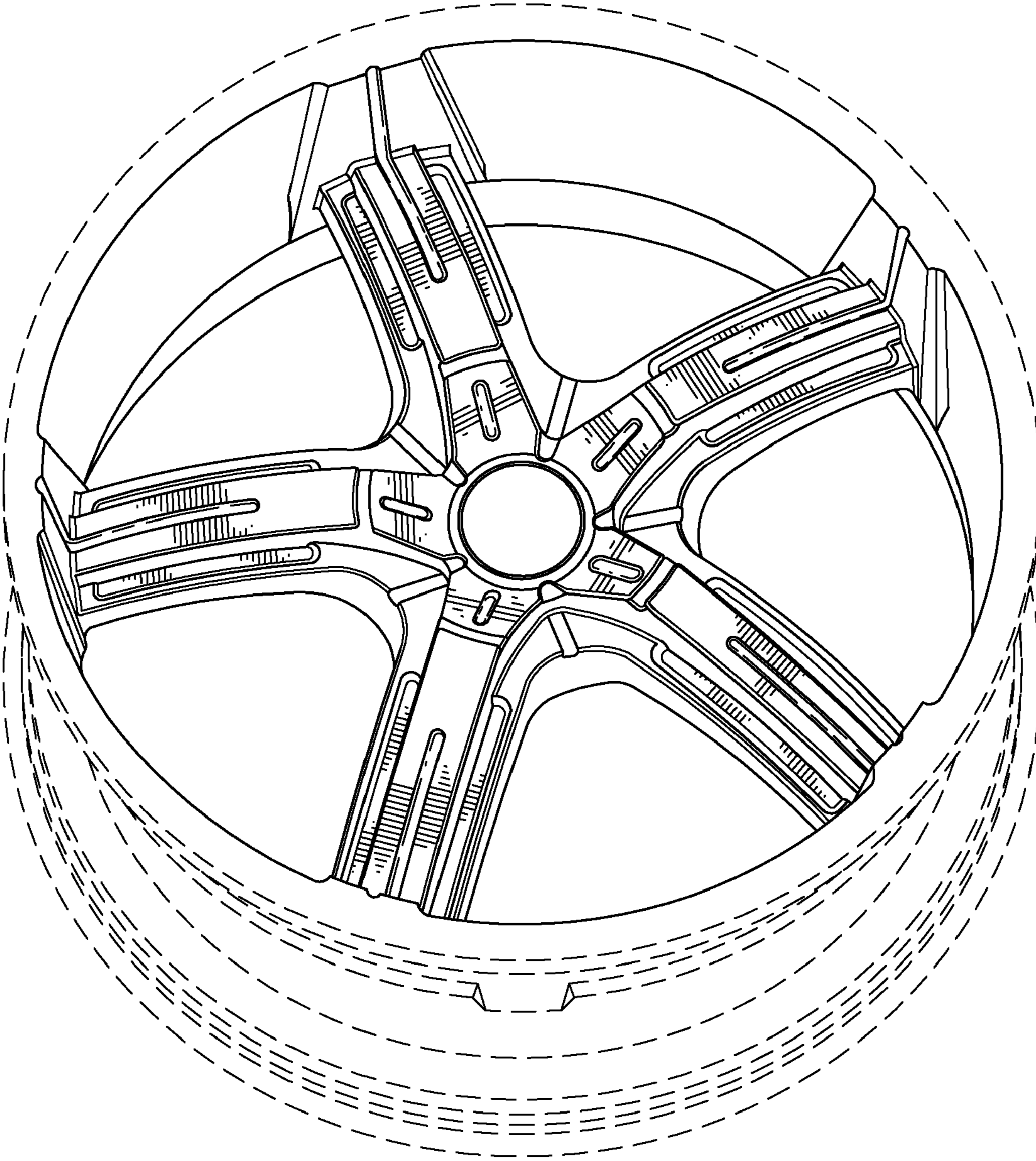


FIG. 1

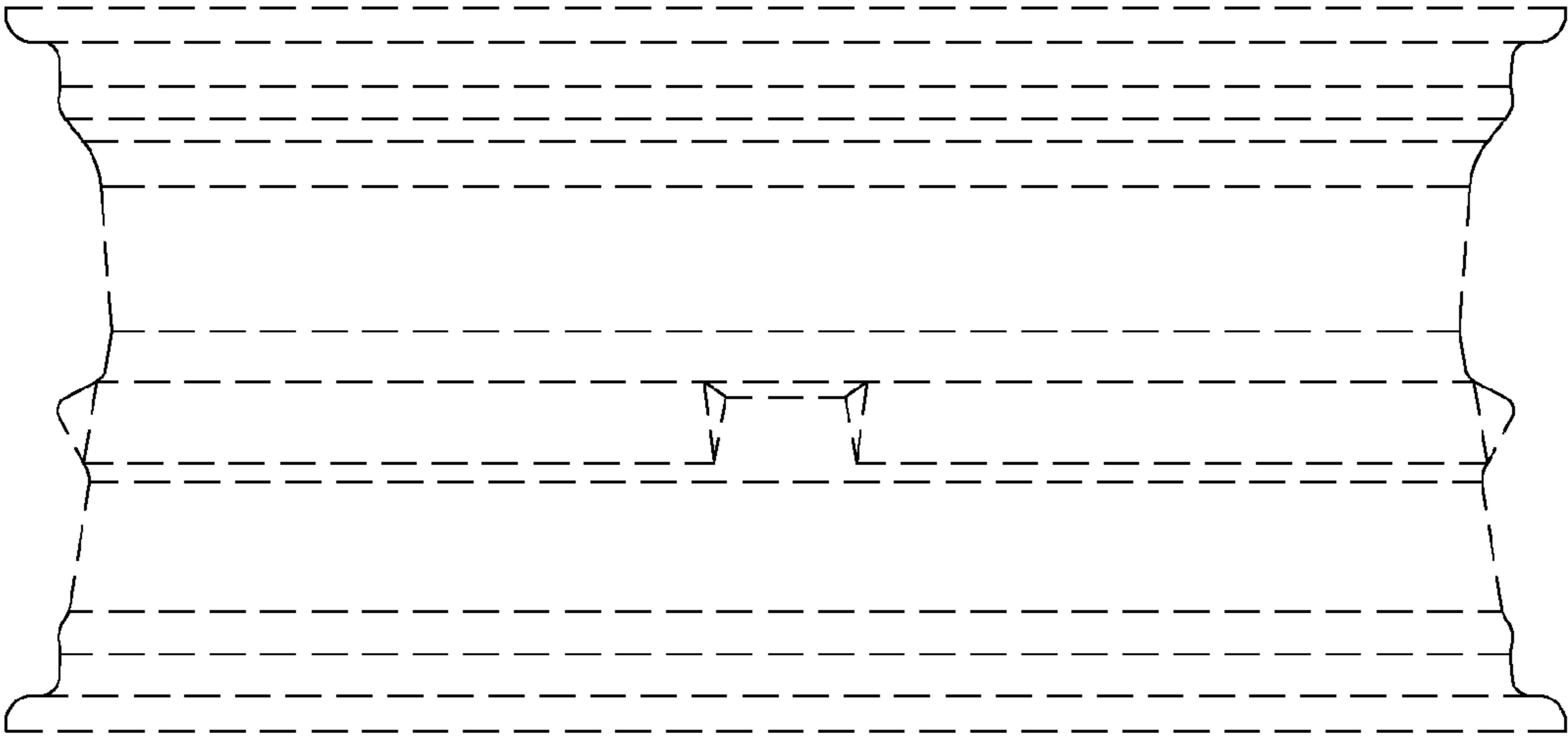


FIG. 3

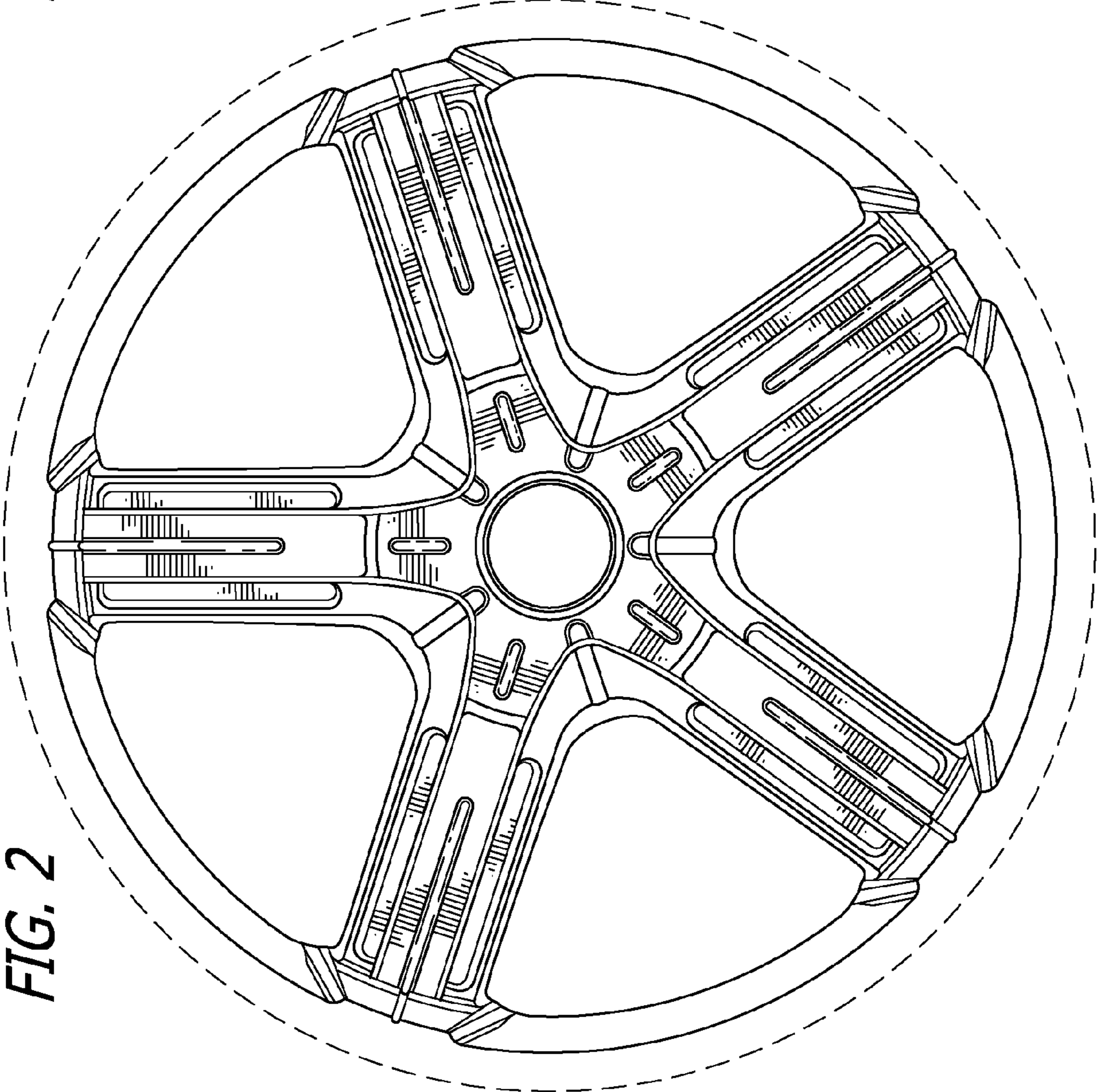


FIG. 2