

US00D635907S

(12) **United States Design Patent**  
**Futschik et al.**

(10) **Patent No.:** **US D635,907 S**

(45) **Date of Patent:** **\*\* Apr. 12, 2011**

(54) **WHEEL OR WHEEL COVER**

(75) Inventors: **Hans-Dieter Futschik**, Gechingen (DE);  
**Steffen Koehl**, Stuttgart (DE); **Frank**  
**Spoerle**, Leonberg (DE); **Gorden**  
**Wagener**, Stuttgart (DE)

(73) Assignee: **Daimler AG**, Stuttgart (DE)

(\*\*) Term: **14 Years**

(21) Appl. No.: **29/311,275**

(22) Filed: **Feb. 5, 2009**

(30) **Foreign Application Priority Data**

Aug. 6, 2008 (EM) ..... 000982780-0002

(51) **LOC (9) Cl.** ..... **12-16**

(52) **U.S. Cl.** ..... **D12/211**

(58) **Field of Classification Search** ..... D12/204-213;  
301/37.101, 64.101, 65, 64.201  
See application file for complete search history.

(56) **References Cited**

**U.S. PATENT DOCUMENTS**

D460,942 S *	7/2002	Lee	.....	D12/211
D463,769 S *	10/2002	Chung	.....	D12/211
D470,094 S *	2/2003	van Hooydonk	.....	D12/211
D528,495 S *	9/2006	Truebsbach	.....	D12/211

D532,739 S *	11/2006	Ettensberger	.....	D12/211
D535,605 S *	1/2007	Guevara	.....	D12/211
D542,209 S *	5/2007	Pfeiffer	.....	D12/211
D547,711 S *	7/2007	Young	.....	D12/211
D560,589 S *	1/2008	Celik	.....	D12/211
D563,304 S *	3/2008	Pfeiffer	.....	D12/211
D580,336 S *	11/2008	Chung	.....	D12/211
D604,685 S *	11/2009	Zhou et al.	.....	D12/211
D617,723 S *	6/2010	Zhao	.....	D12/211
D621,771 S *	8/2010	Truebsbach	.....	D12/211
D622,202 S *	8/2010	Zhao	.....	D12/211

\* cited by examiner

*Primary Examiner* — Stacia Cadmus

(74) *Attorney, Agent, or Firm* — Crowell & Moring LLP

(57) **CLAIM**

The ornamental design for a wheel or wheel cover, as shown and described.

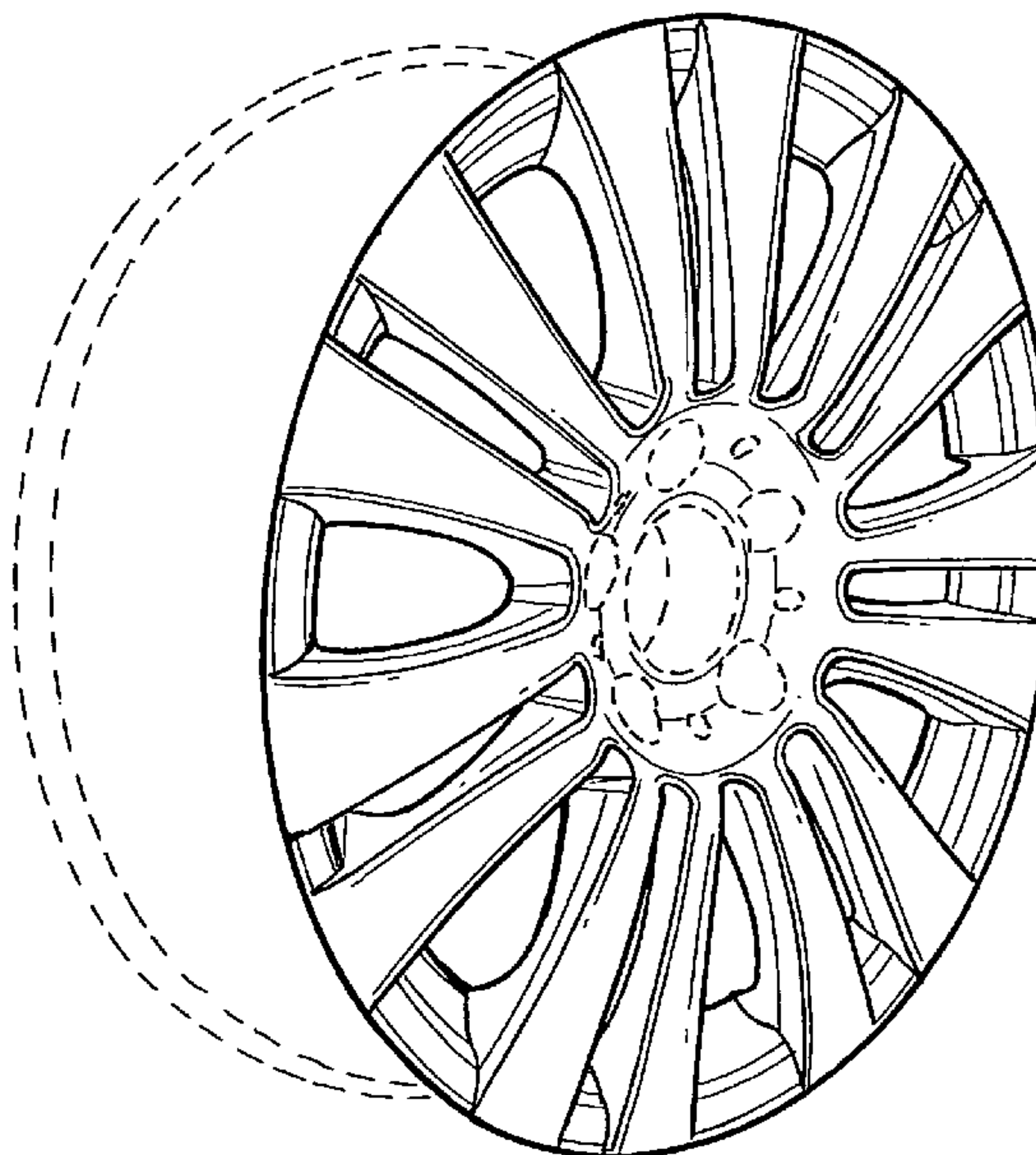
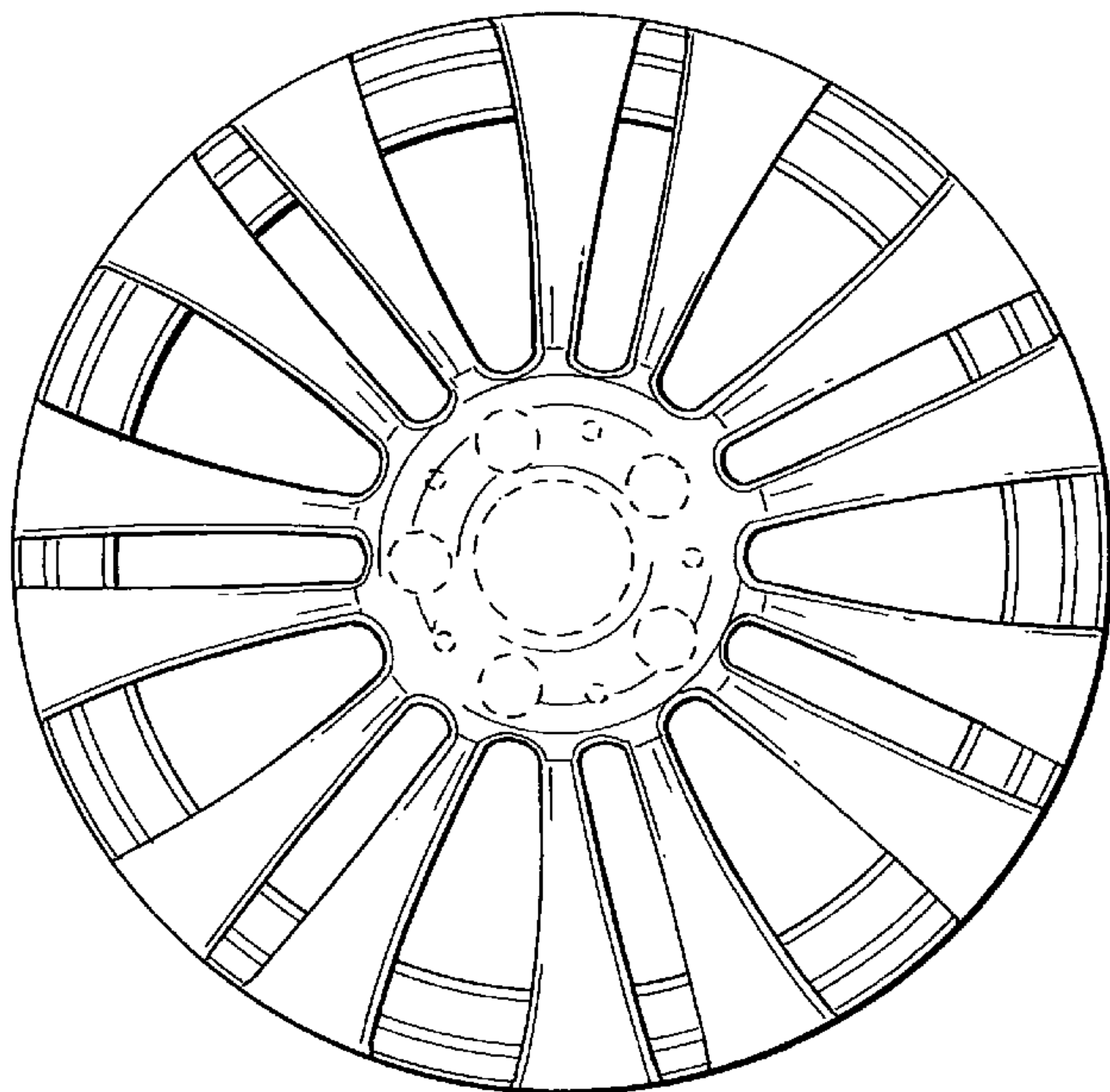
**DESCRIPTION**

FIG. 1 is a front view of a wheel or wheel cover according to our novel design; and,

FIG. 2 is a perspective view thereof.

The broken line showing of the rear of the rim and the bolt holes and the center cap in the central hub area is included for the purpose of illustrating environment and forms no part of the claimed design.

**1 Claim, 1 Drawing Sheet**



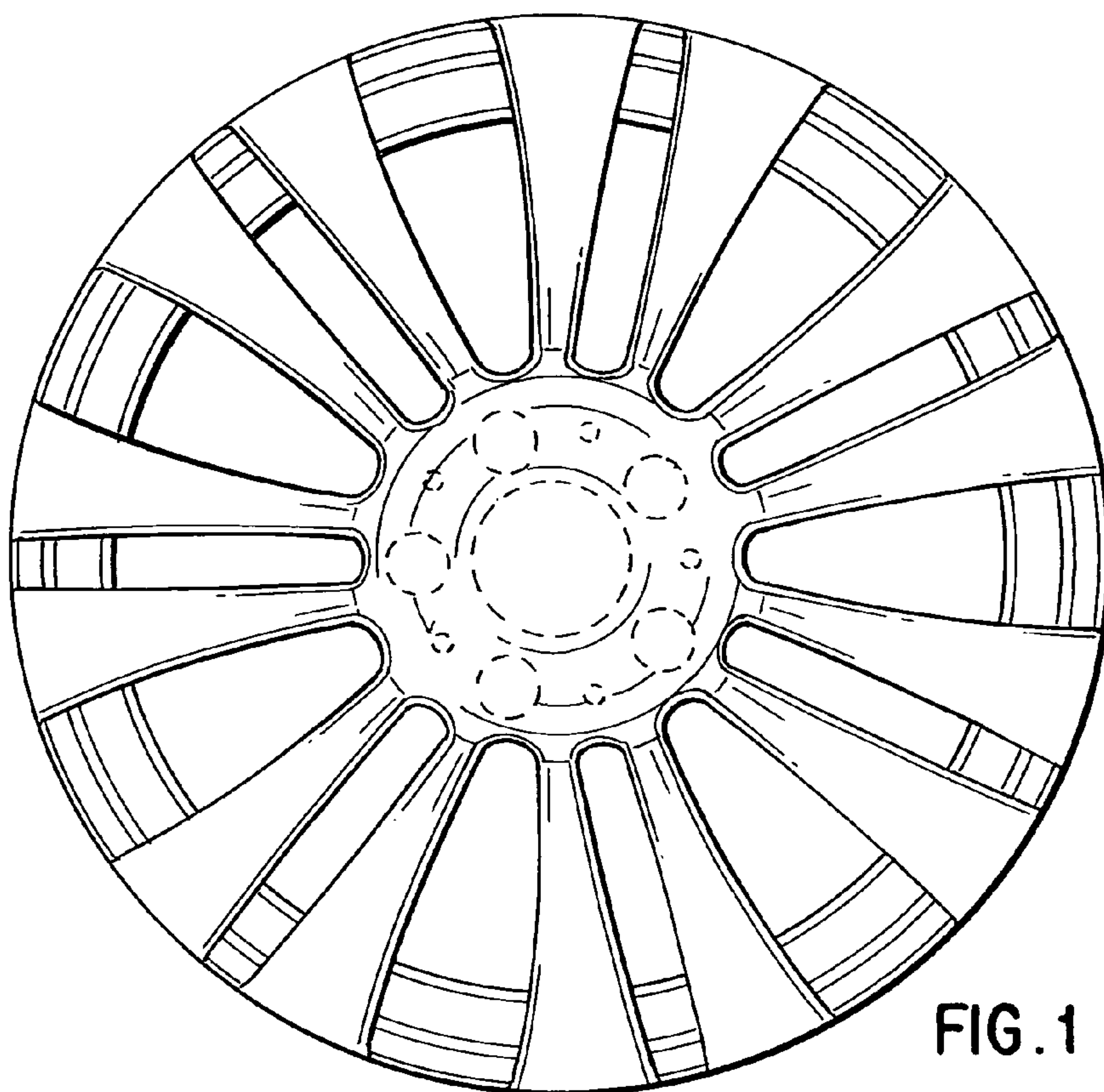


FIG. 1

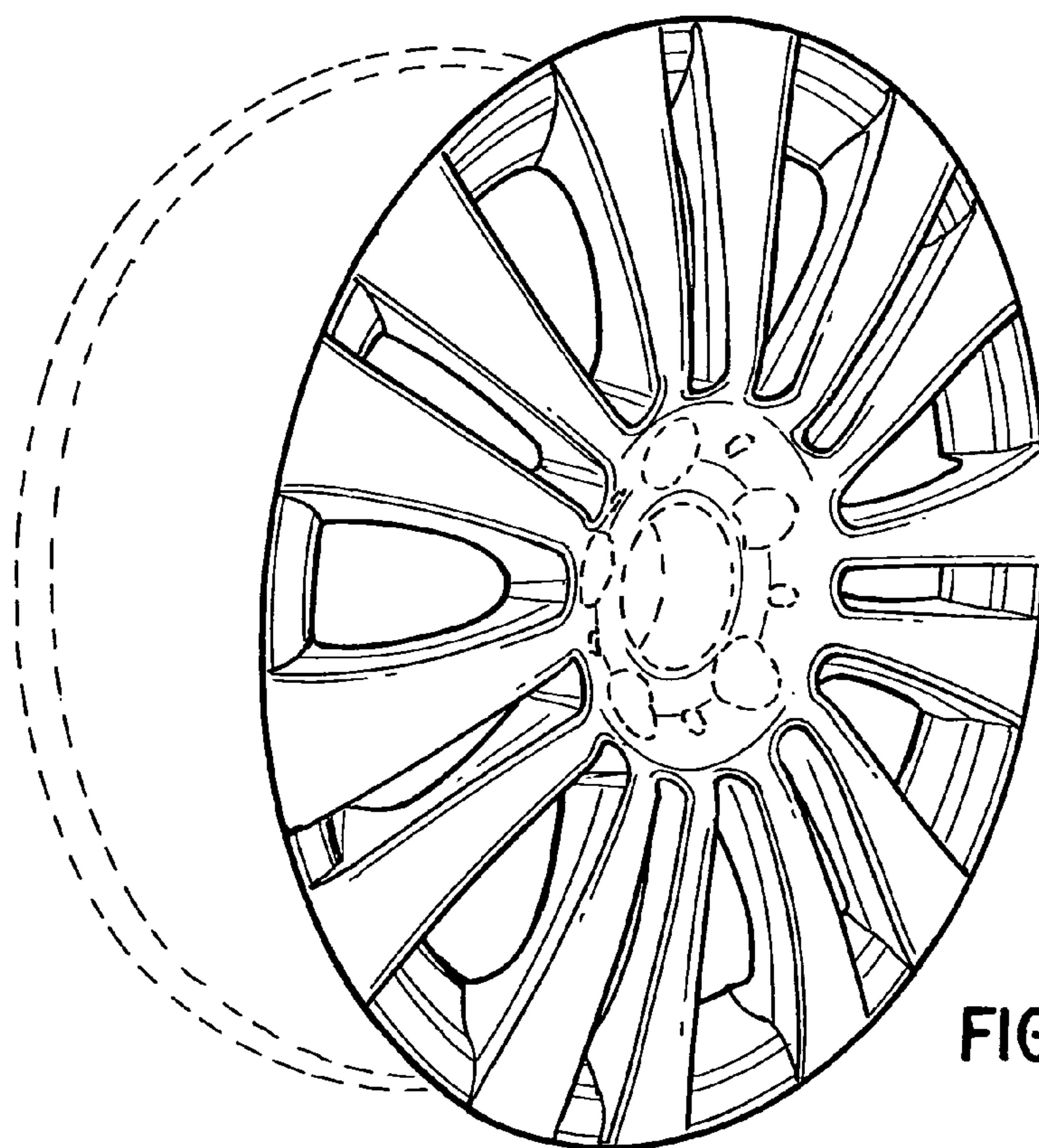


FIG. 2