



US00D635905S

(12) **United States Design Patent**
Toth

(10) **Patent No.:** **US D635,905 S**
(45) **Date of Patent:** **** Apr. 12, 2011**

(54) **FRONT FACE OF A VEHICLE WHEEL**

(75) Inventor: **Benedek Toth**, Laguana Hills, CA (US)

(73) Assignee: **Daimler AG**, Stuttgart (DE)

(**) Term: **14 Years**

(21) Appl. No.: **29/300,661**

(22) Filed: **Apr. 23, 2008**

(30) **Foreign Application Priority Data**

Oct. 24, 2007 (EM) 000813977-0016

(51) **LOC (9) Cl.** **12-16**

(52) **U.S. Cl.** **D12/211**

(58) **Field of Classification Search** D12/204-213;
301/37.101, 64.101, 65, 64.201

See application file for complete search history.

(56) **References Cited**

U.S. PATENT DOCUMENTS

D504,383 S *	4/2005	Pfeiffer	D12/211
D513,489 S *	1/2006	Momokawa	D12/211
D520,931 S *	5/2006	Hieke	D12/211
D520,933 S *	5/2006	Pfeiffer	D12/211

D532,358 S *	11/2006	Blasi	D12/211
D539,722 S *	4/2007	Pfeiffer	D12/211
D585,009 S *	1/2009	Rak	D12/211
D596,551 S *	7/2009	Futschik et al.	D12/211
D620,419 S *	7/2010	Lamm et al.	D12/209
D626,488 S *	11/2010	Yoon	D12/211
D627,286 S *	11/2010	Gallert	D12/209

* cited by examiner

Primary Examiner — Stacia Cadmus

(74) *Attorney, Agent, or Firm* — Crowell & Moring LLP

(57) **CLAIM**

The ornamental design for a front face of a vehicle wheel, as shown and described.

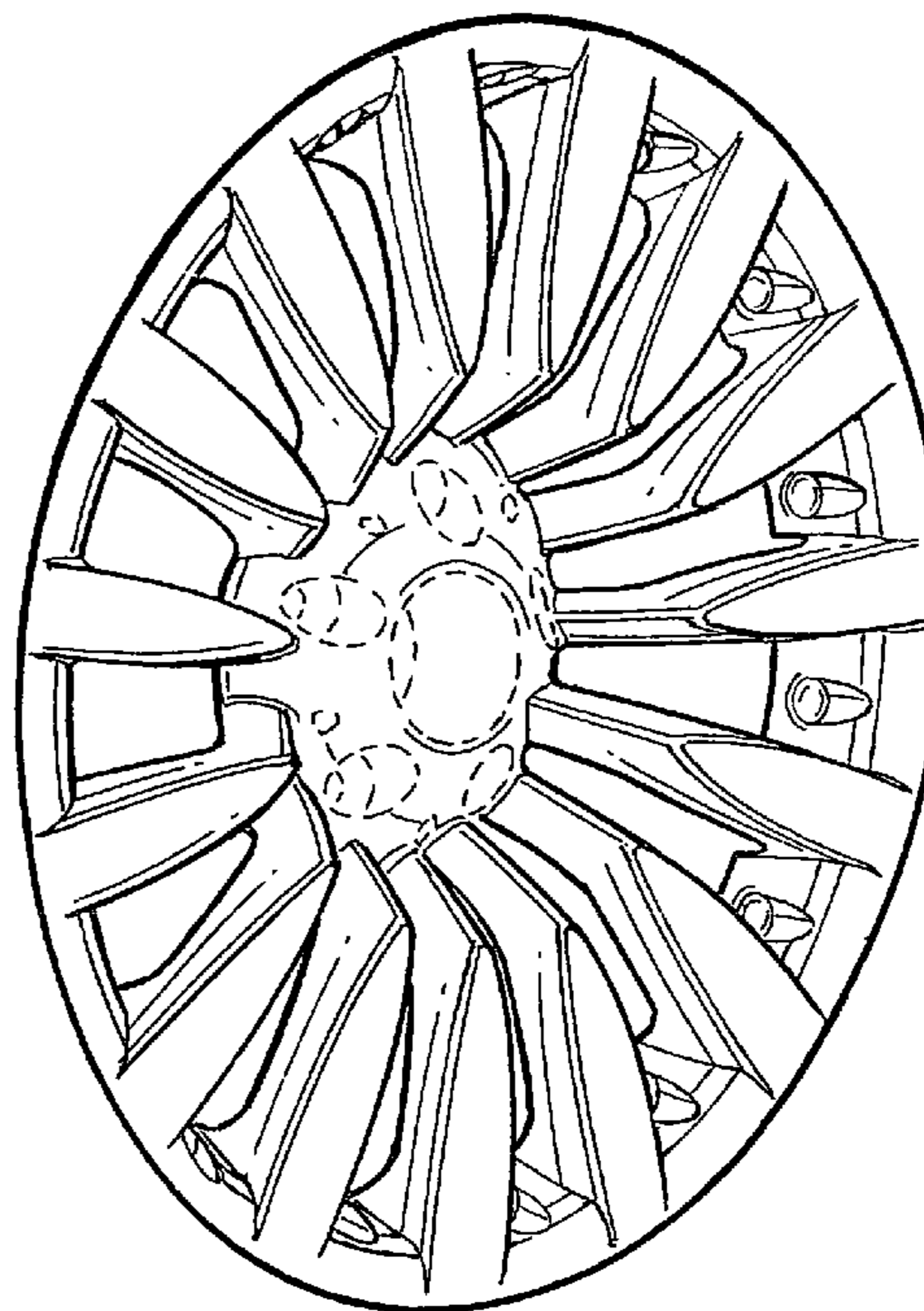
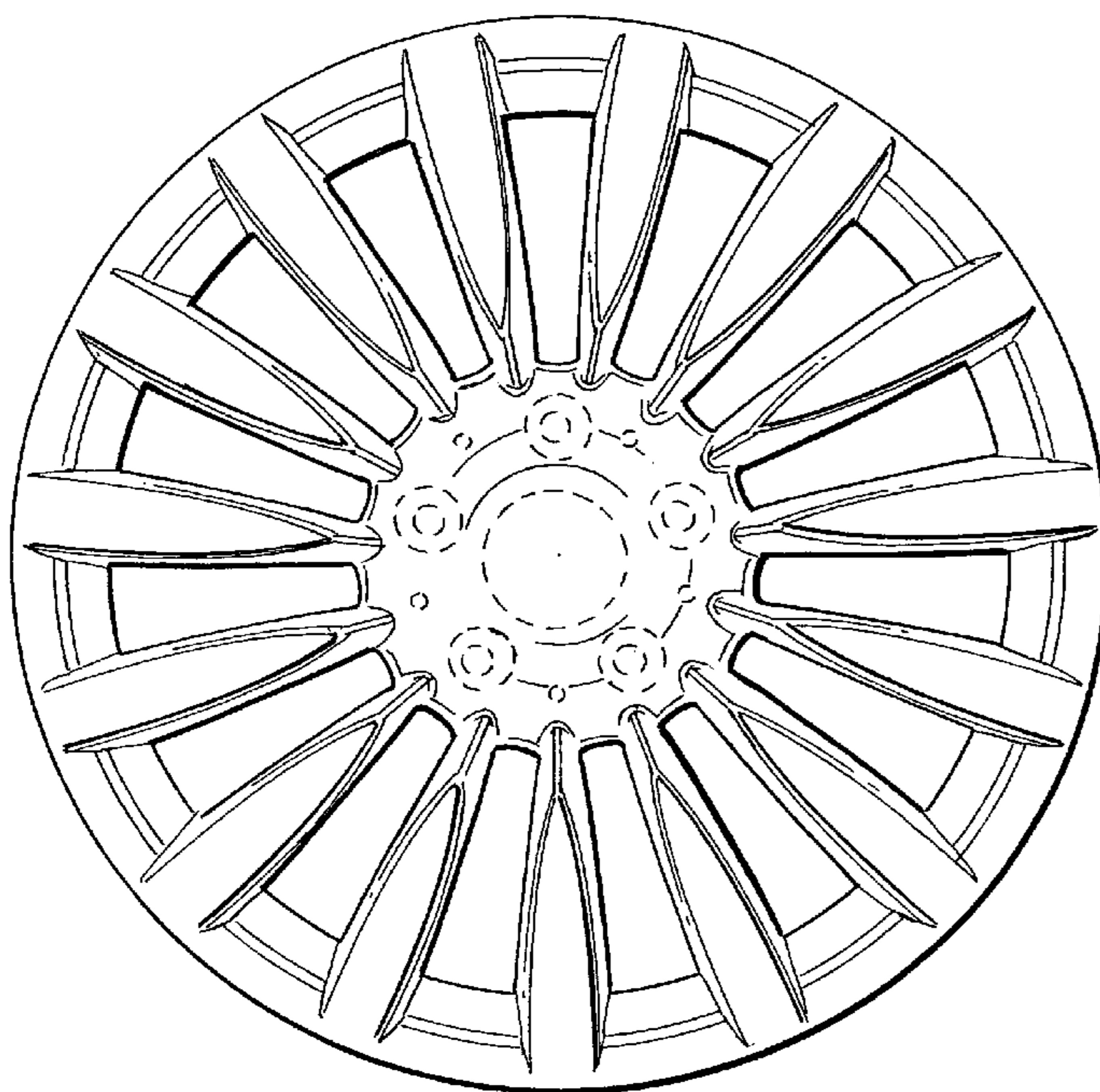
DESCRIPTION

FIG. 1 is a front view of a first embodiment of a front face of a vehicle wheel according to my novel design; and FIG. 2 is a perspective view thereof.

FIG. 3 is a front view of a second embodiment of the front face of a vehicle wheel according to my novel design; and, FIG. 4 is a perspective view thereof.

The broken line showing of the bolt holes and center hole in the central hub area is included for the purpose of illustrating environment and forms no part of the claimed design.

1 Claim, 2 Drawing Sheets



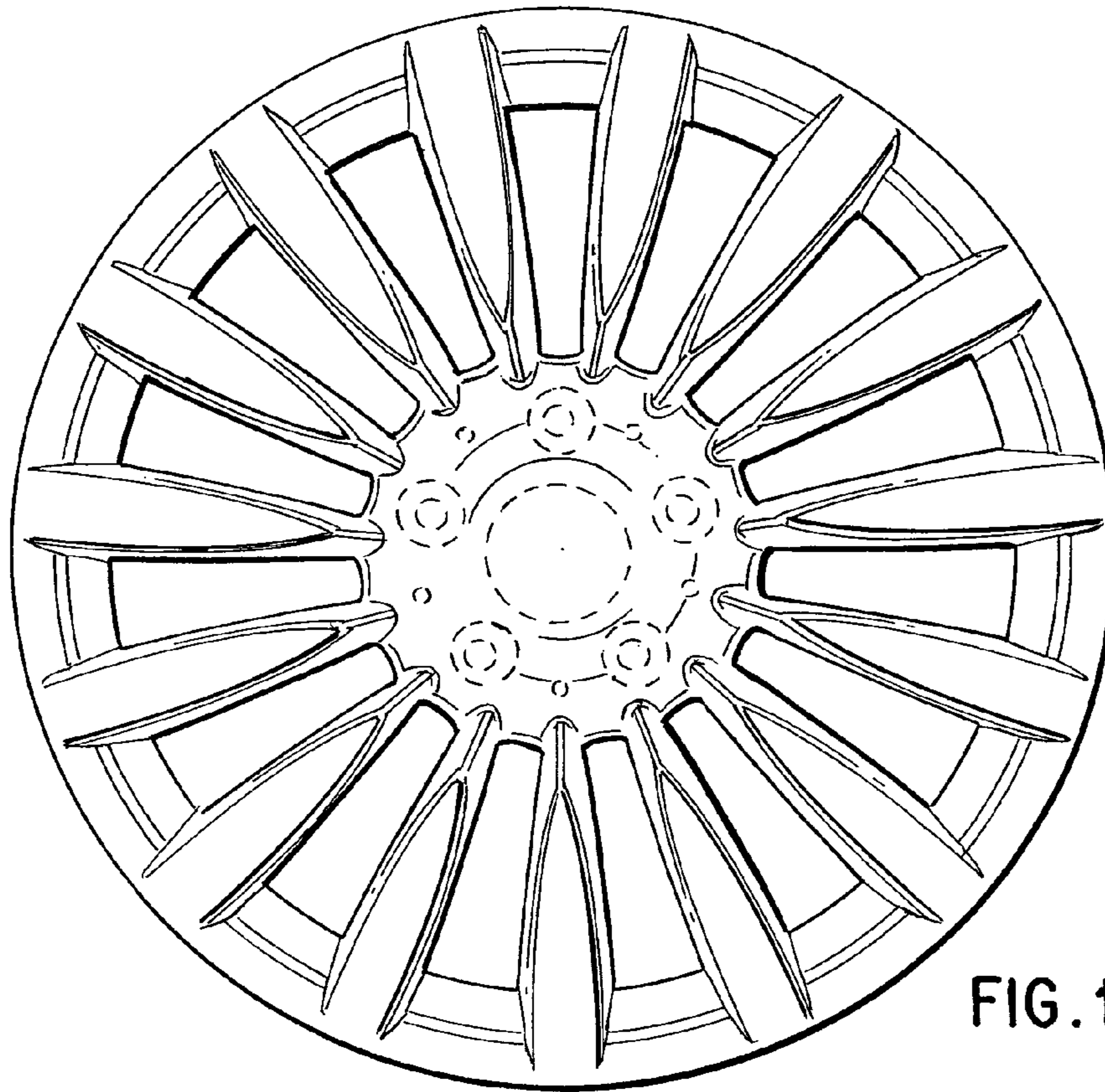


FIG. 1

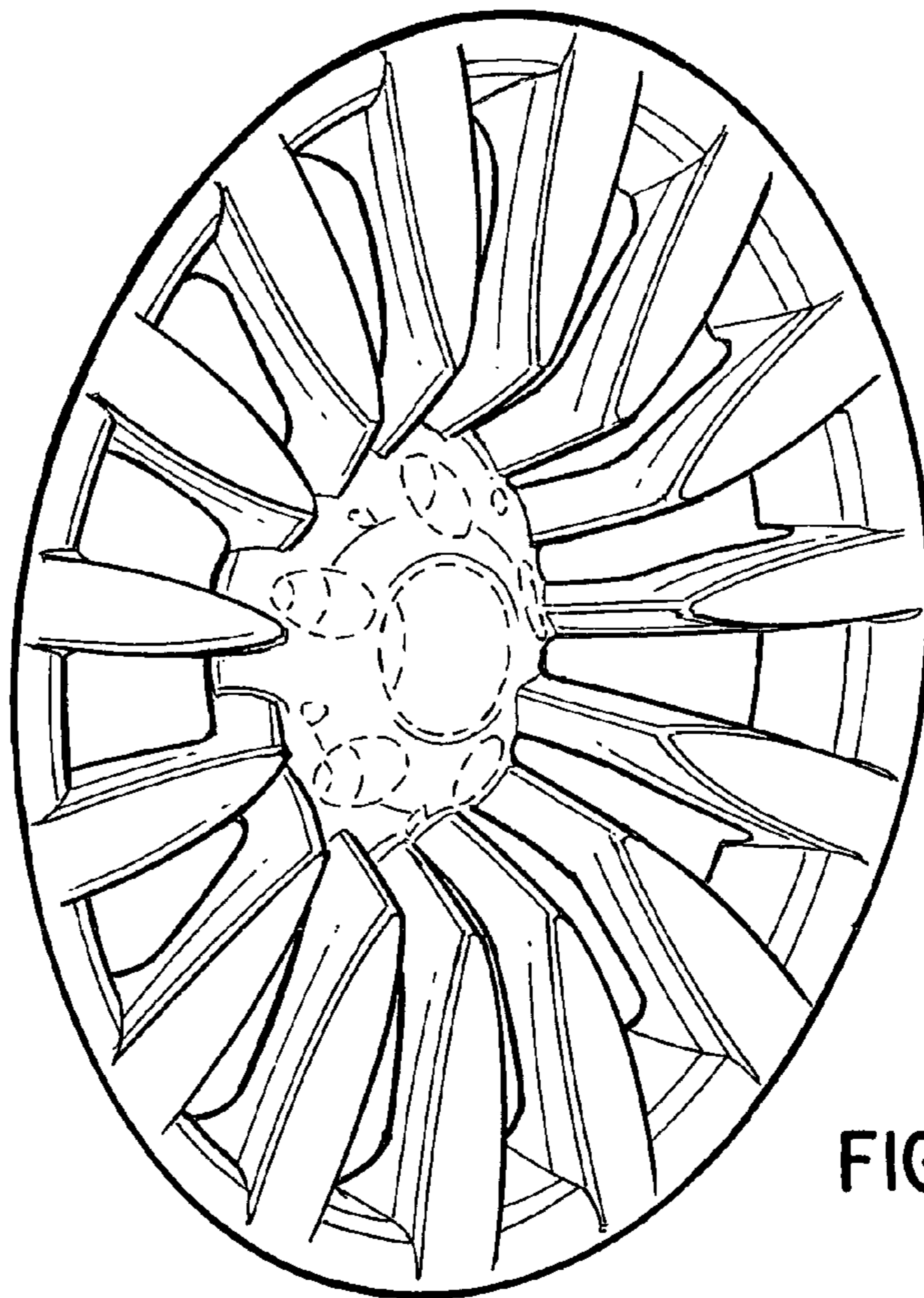


FIG. 2

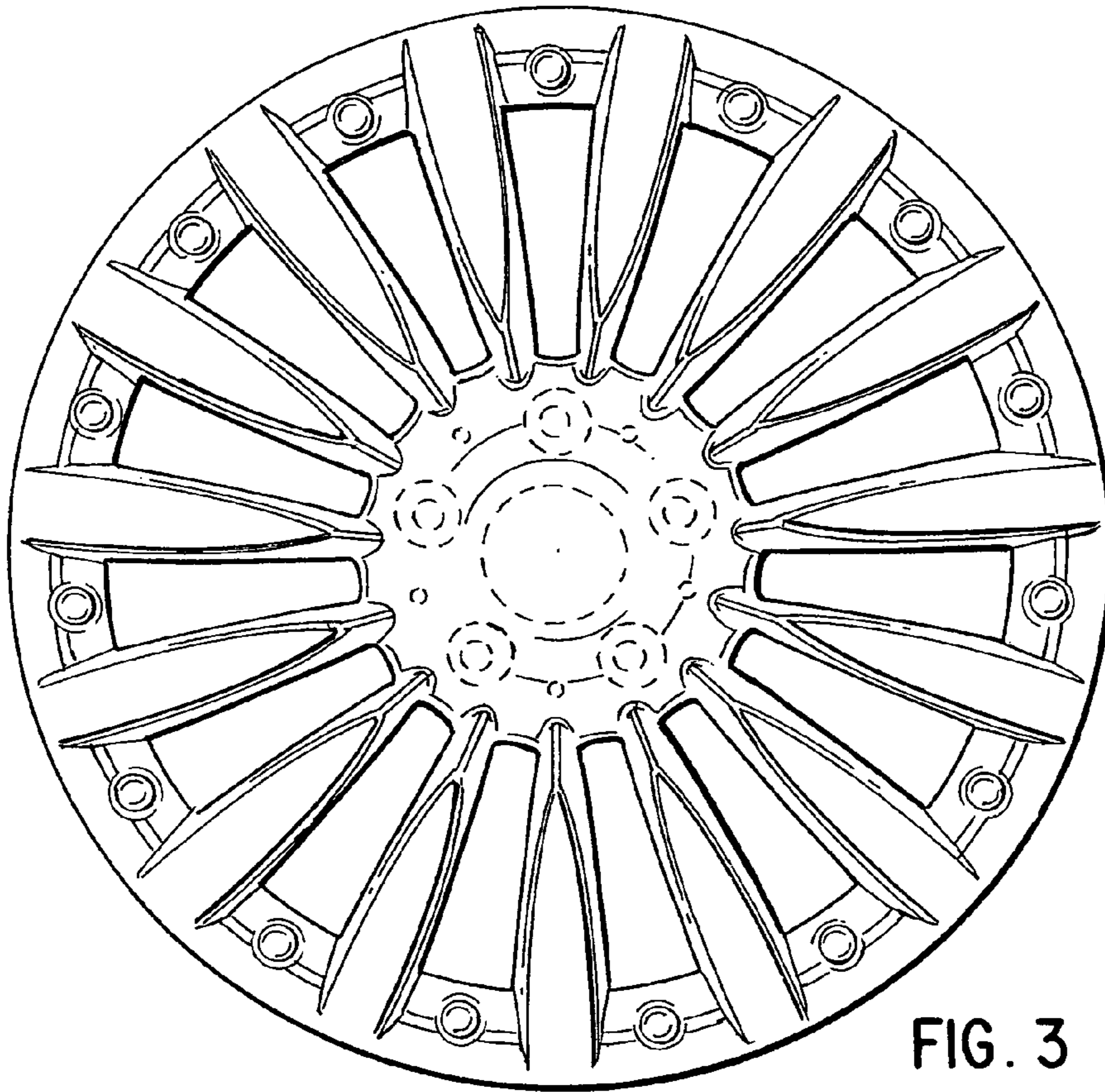


FIG. 3

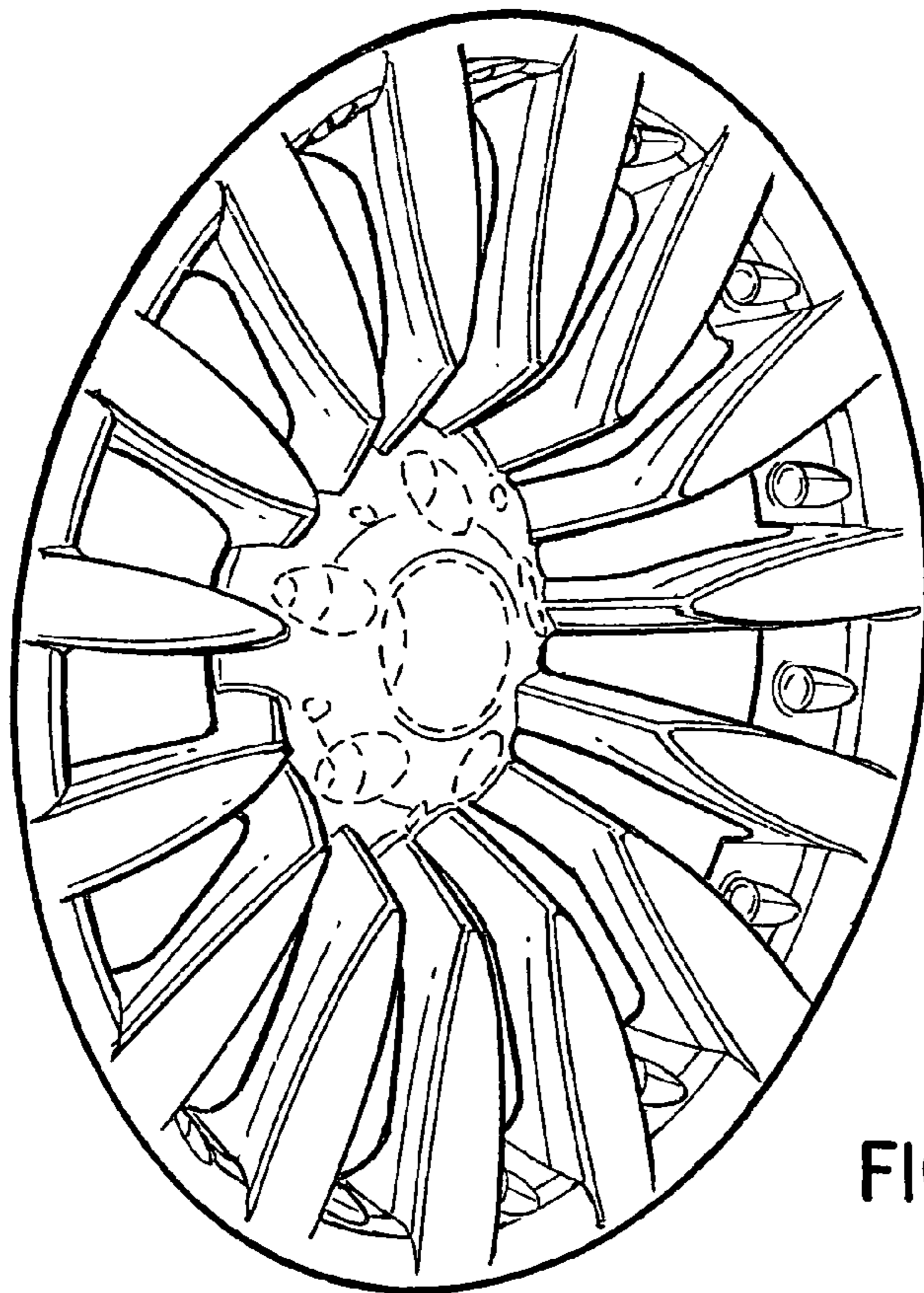


FIG. 4