



US00D635904S

(12) **United States Design Patent**
Futschik et al.

(10) **Patent No.:** **US D635,904 S**

(45) **Date of Patent:** **** Apr. 12, 2011**

(54) **WHEEL OR WHEEL COVER**

(75) Inventors: **Hans-Dieter Futschik**, Gechingen (DE);
Steffen Koehl, Stuttgart (DE); **Frank**
Spoerle, Leonberg (DE); **Gorden**
Wagener, Stuttgart (DE)

(73) Assignee: **Daimler AG**, Stuttgart (DE)

(**) Term: **14 Years**

(21) Appl. No.: **29/311,276**

(22) Filed: **Feb. 5, 2009**

(30) **Foreign Application Priority Data**

Aug. 6, 2008 (EM) 000982780-0003

(51) **LOC (9) Cl.** **12-16**

(52) **U.S. Cl.** **D12/209**

(58) **Field of Classification Search** D12/204-213;
301/37.101, 64.101, 65, 64.201
See application file for complete search history.

(56) **References Cited**

U.S. PATENT DOCUMENTS

D469,048 S *	1/2003	van Hooydonk	D12/209
D503,668 S *	4/2005	Boyer	D12/209
D504,648 S *	5/2005	Pfeiffer	D12/209
D535,238 S *	1/2007	Kim	D12/209

D538,216 S *	3/2007	Sycha	D12/209
D543,493 S *	5/2007	Kim	D12/209
D567,167 S *	4/2008	Forster	D12/211
D582,331 S *	12/2008	Blasi	D12/209
D584,672 S *	1/2009	Osborne	D12/209
D585,354 S *	1/2009	Powell et al.	D12/211
D587,178 S *	2/2009	Pfeiffer	D12/209
D590,757 S *	4/2009	Froehlich	D12/209
D594,396 S *	6/2009	Juergens et al.	D12/209
D601,074 S *	9/2009	Buschmann	D12/209
D615,018 S *	5/2010	Truebsbach	D12/211

* cited by examiner

Primary Examiner — Stacia Cadmus

(74) *Attorney, Agent, or Firm* — Crowell & Moring LLP

(57) **CLAIM**

The ornamental design for a wheel or wheel cover, as shown and described.

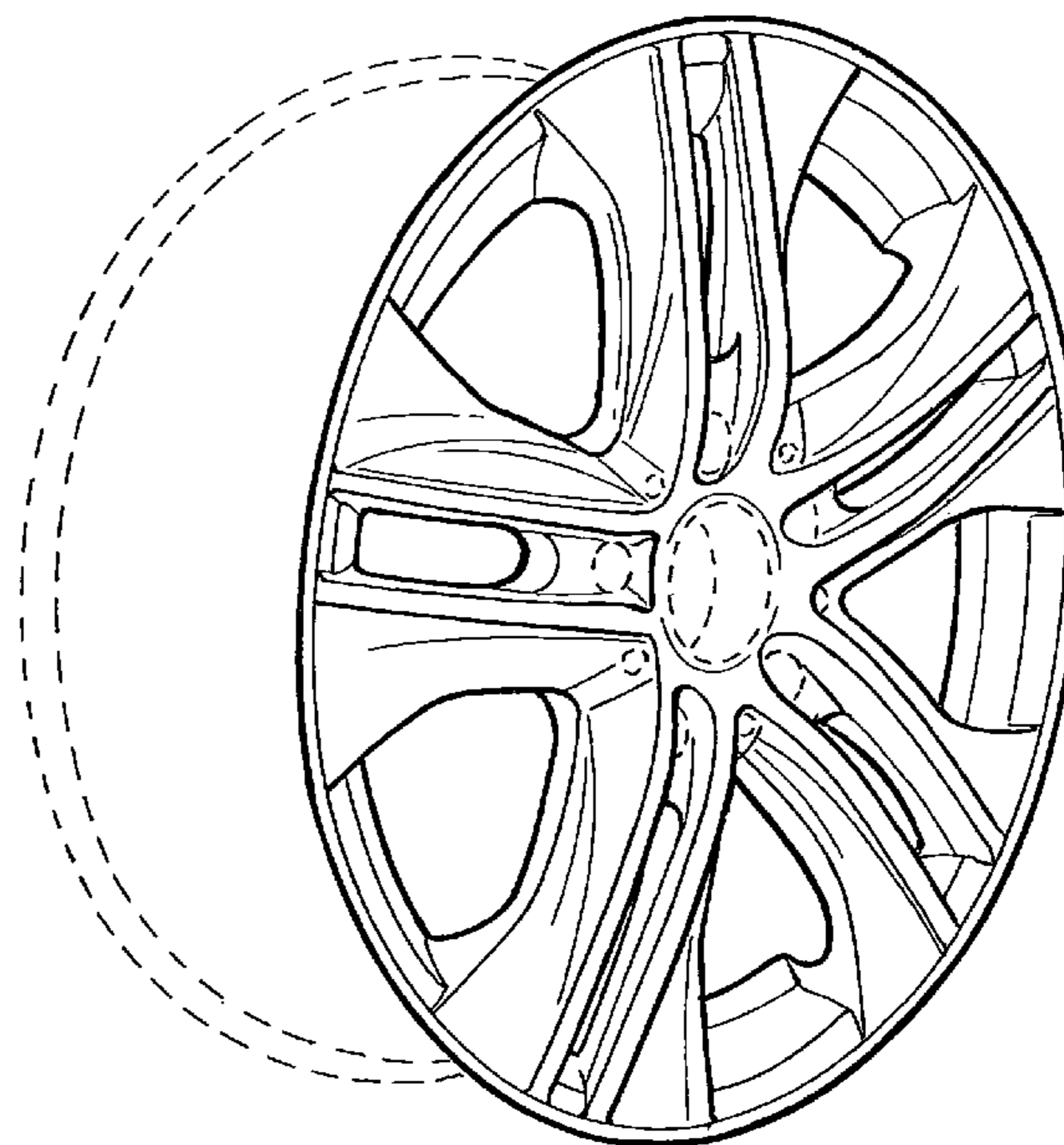
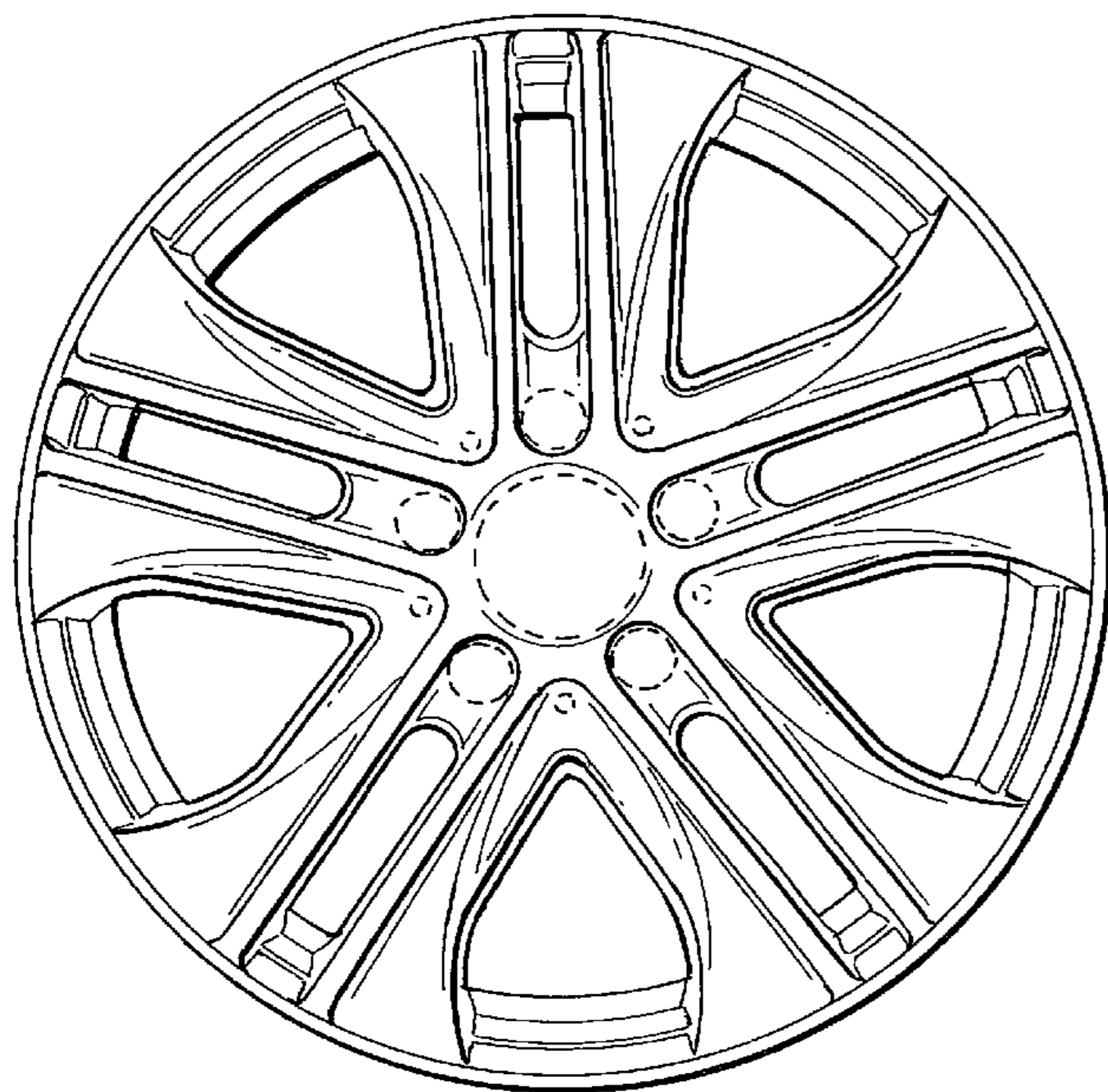
DESCRIPTION

FIG. 1 is a front view of a wheel or wheel cover according to our novel design; and,

FIG. 2 is a perspective view thereof.

The broken line showing of the rear of the rim and the bolt holes and the center cap in the central hub area is included for the purpose of illustrating environment and forms no part of the claimed design.

1 Claim, 1 Drawing Sheet



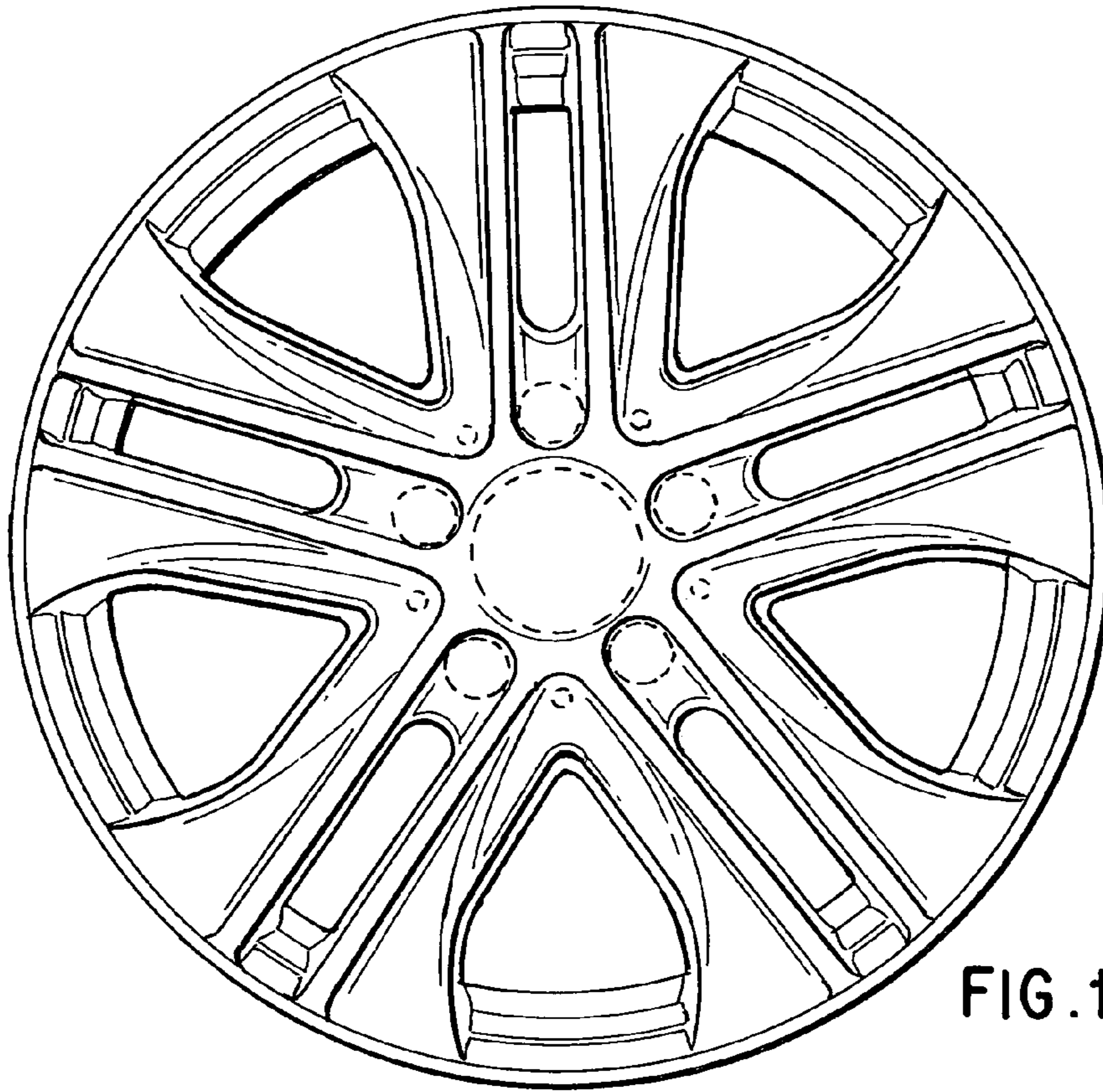


FIG. 1

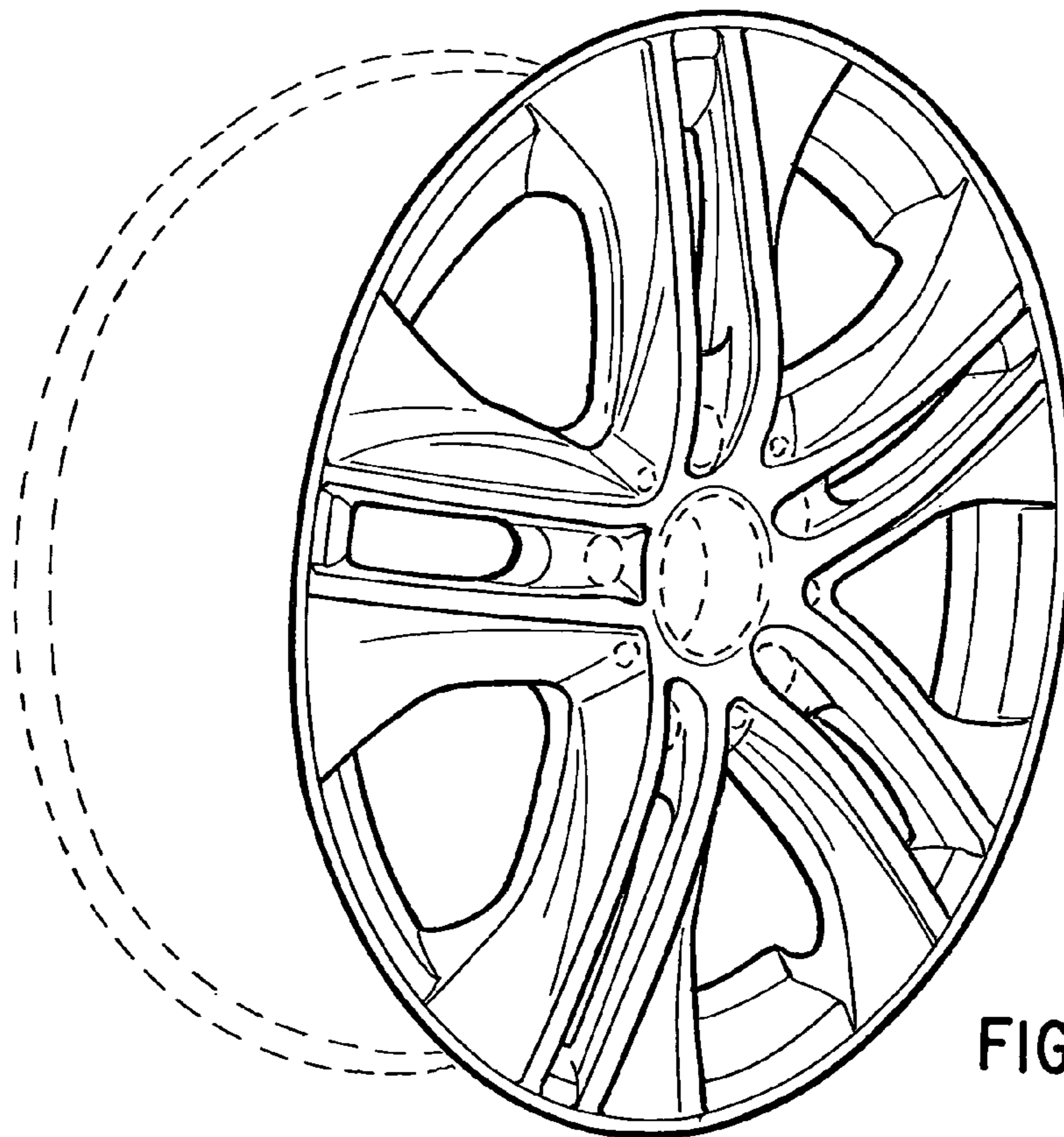


FIG. 2