

US00D635902S

(12) **United States Design Patent**  
**Kuba et al.**

(10) **Patent No.:** **US D635,902 S**

(45) **Date of Patent:** **\*\* Apr. 12, 2011**

(54) **WHEEL FOR AUTOMOBILE**  
(75) Inventors: **Takayuki Kuba**, Kurashiki (JP);  
**Tadaaki Sakao**, Kurashiki (JP)  
(73) Assignee: **Ring Techs Co., Ltd.**, Kurashiki-Shi (JP)

D593,473 S \* 6/2009 Fournier et al. .... D12/207  
D598,835 S \* 8/2009 DeGeorge et al. .... D12/209  
D603,783 S \* 11/2009 Carlton et al. .... D12/501  
7,779,877 B2 \* 8/2010 Putz et al. .... 152/405  
D625,070 S \* 10/2010 Maff ..... D34/10  
2002/0163245 A1 11/2002 Watanabe et al.

(\*\*) Term: **14 Years**

(21) Appl. No.: **29/298,696**

(22) Filed: **Dec. 11, 2007**

(30) **Foreign Application Priority Data**

Sep. 18, 2007 (JP) ..... 2007-025137  
Sep. 18, 2007 (JP) ..... 2007-025138

(51) **LOC (9) Cl.** ..... **12-16**

(52) **U.S. Cl.** ..... **D12/204**

(58) **Field of Classification Search** ..... D12/204-213;  
301/37.101, 64.101, 65  
See application file for complete search history.

**FOREIGN PATENT DOCUMENTS**

JP 2002-137770 A 5/2002  
JP 2002-166703 A 6/2002  
JP 2002-166704 A 6/2002  
JP 2002-166705 A 6/2002  
JP 2002-166708 A 6/2002  
JP 2003-94902 A 4/2003  
JP 2005-8049 A 1/2005

\* cited by examiner

*Primary Examiner* — Elizabeth A Albert  
*Assistant Examiner* — Kelley A Donnelly

(74) *Attorney, Agent, or Firm* — McDermott Will & Emery LLP

(57) **CLAIM**

The ornamental design for wheel for automobile, as shown and described.

**DESCRIPTION**

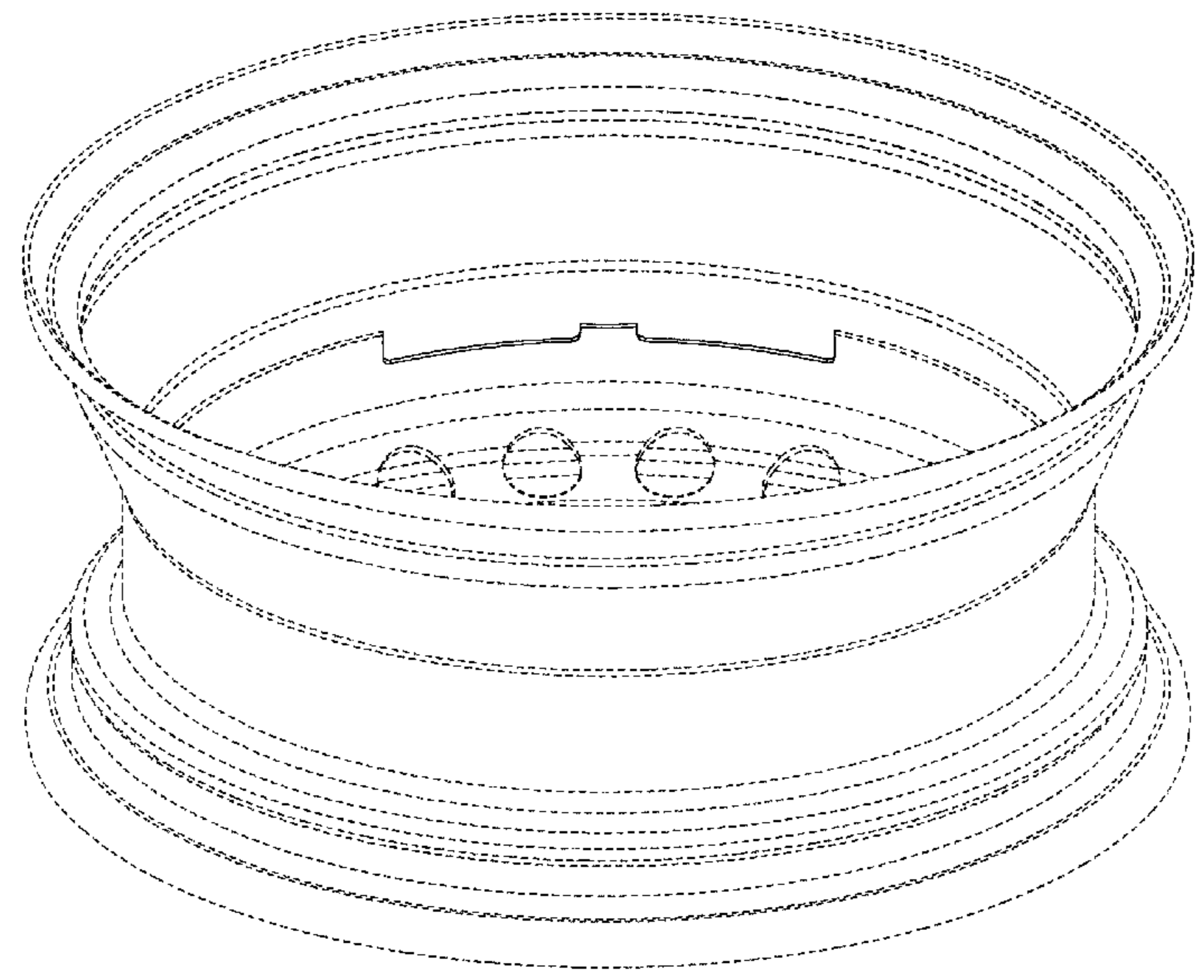
FIG. 1 is a front elevation view of our new design for a wheel for automobile;  
FIG. 2 is a rear elevation view thereof;  
FIG. 3 is a cross-sectional view taken at the line 3—3 in FIG. 1; and,  
FIG. 4 is a rear perspective view thereof, rotated 180° in relation to FIG. 2.  
The broken lines are for the purpose of illustrating the environment of the design only and form no part of the claimed design.  
The claimed design is only the edge shown in FIGS. 2, 3, and 4 and does not include any of the surfaces on either side of that edge.

(56) **References Cited**

**U.S. PATENT DOCUMENTS**

D245,840 S \* 9/1977 Harty, Jr. .... D12/209  
D252,564 S \* 8/1979 Harty, Jr. .... D12/210  
D274,716 S \* 7/1984 Mahnig ..... D12/207  
D327,466 S \* 6/1992 Lipper ..... D12/210  
5,533,260 A \* 7/1996 Kier, Jr. .... 29/894.322  
D492,925 S \* 7/2004 Fitzgerald ..... D12/210  
D492,927 S \* 7/2004 Fitzgerald ..... D12/211  
D502,678 S \* 3/2005 Weld ..... D12/210  
D504,378 S \* 4/2005 Grossenbacher et al. ... D12/209  
D519,433 S \* 4/2006 Finn et al. .... D12/210  
7,246,860 B1 \* 7/2007 Seitz ..... 301/37.28  
D548,665 S \* 8/2007 Sanschagrín et al. .... D12/209  
D576,093 S \* 9/2008 Chung ..... D12/210  
D582,827 S \* 12/2008 Musser ..... D12/210  
D591,215 S \* 4/2009 Weigand ..... D12/207  
7,537,289 B2 \* 5/2009 Diko ..... 301/37.24

**1 Claim, 4 Drawing Sheets**



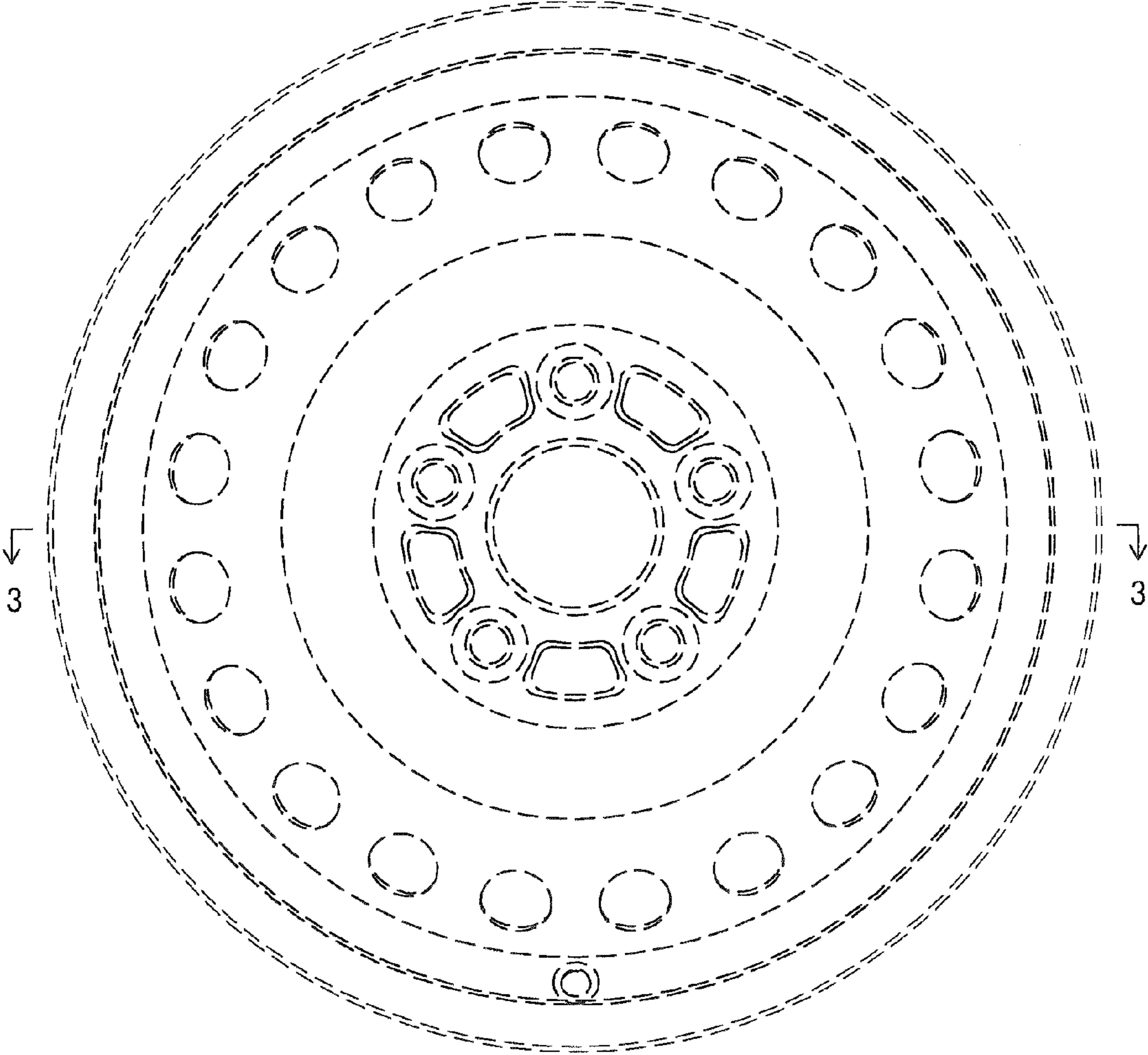


FIG. 1

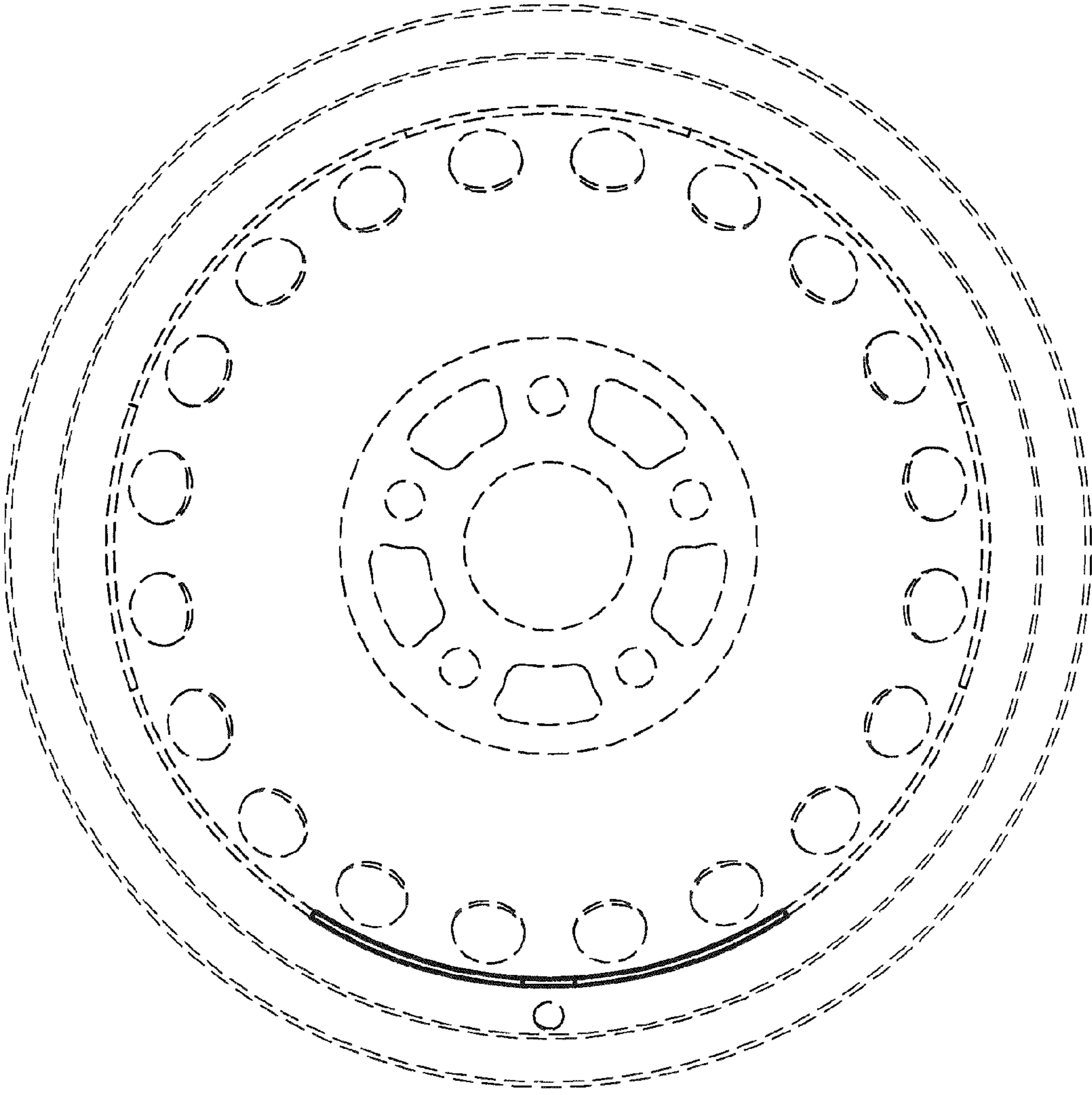


FIG. 2

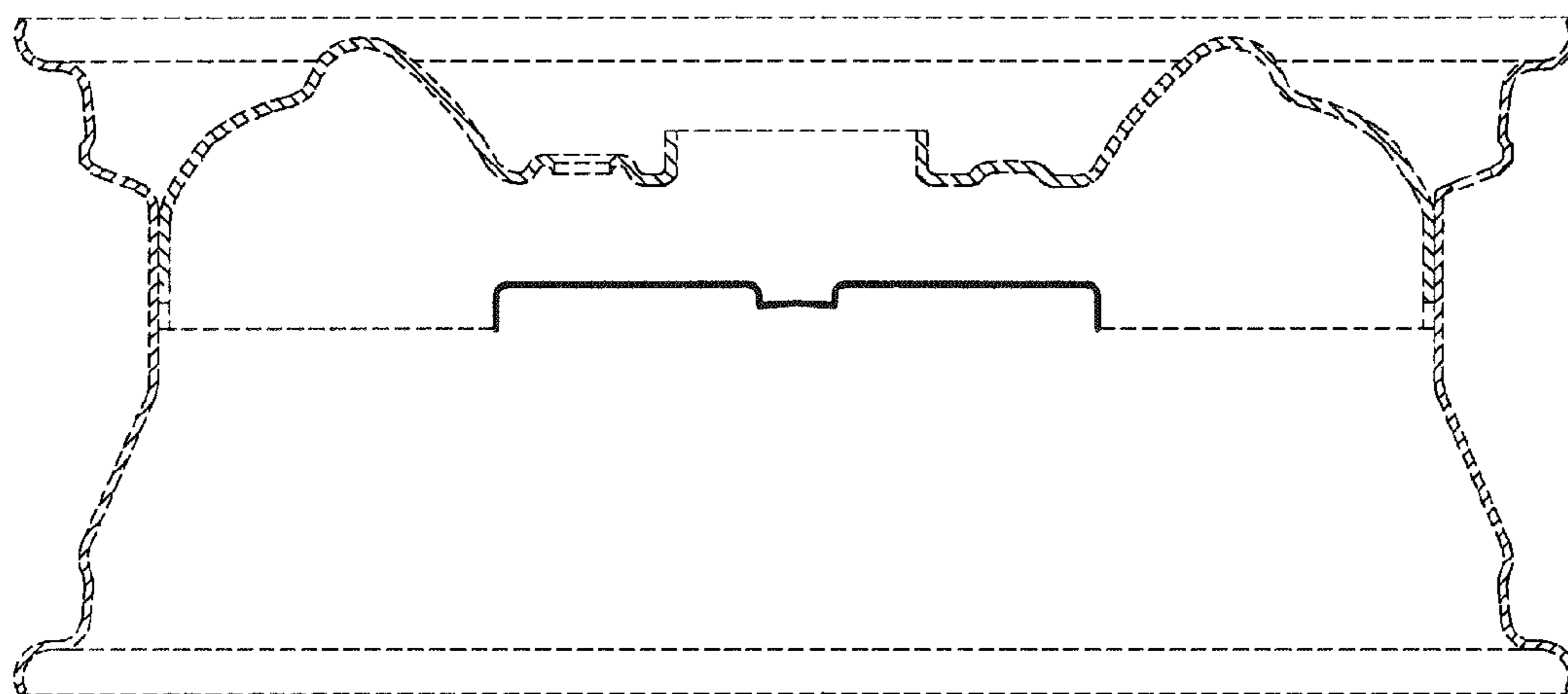


FIG. 3



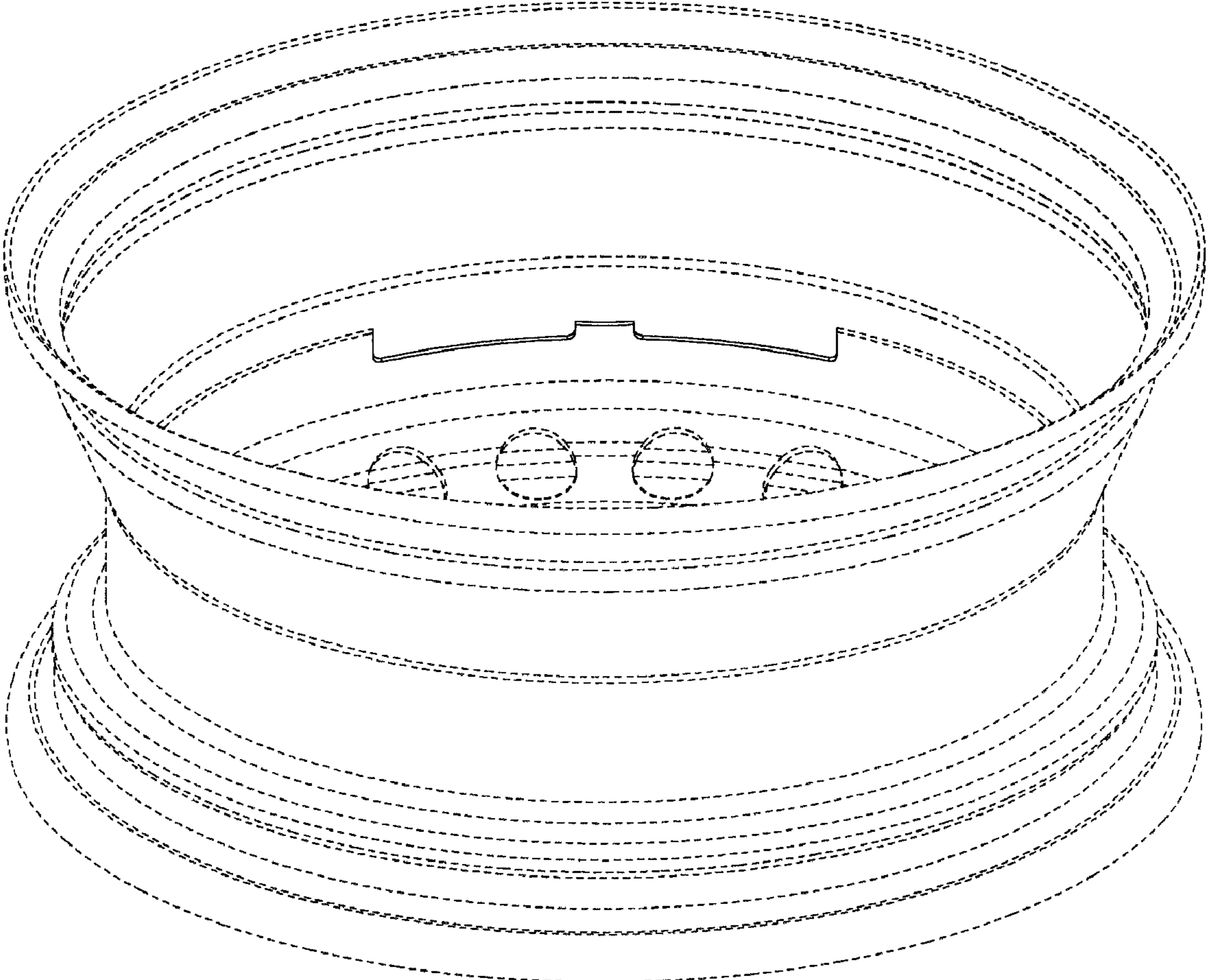


FIG. 4