



US00D635899S

(12) **United States Design Patent**
Anzi

(10) **Patent No.:** **US D635,899 S**
(45) **Date of Patent:** **** Apr. 12, 2011**

(54) **STEERING WHEEL FOR A MOTOR VEHICLE**

D442,129 S * 5/2001 Schmitt D12/176
D483,305 S * 12/2003 Okumura D12/176
D521,914 S * 5/2006 Pfeiffer D12/176
D619,517 S * 7/2010 Granata D12/176

(75) Inventor: **Johnny Anzi**, Verona (IT)

* cited by examiner

(73) Assignee: **Grant Products International, Inc.**,
Duarte, CA (US)

Primary Examiner — Melody N Brown

(**) Term: **14 Years**

(74) *Attorney, Agent, or Firm* — Venable LLP; Stefan J. Kirchanski

(21) Appl. No.: **29/367,986**

(57) **CLAIM**

(22) Filed: **Aug. 16, 2010**

The ornamental design for a steering wheel for a motor vehicle, as shown and described.

(51) **LOC (9) Cl.** **12-16**

(52) **U.S. Cl.** **D12/176**

(58) **Field of Classification Search** D12/175,
D12/176; 74/552, 558, 558.5

See application file for complete search history.

DESCRIPTION

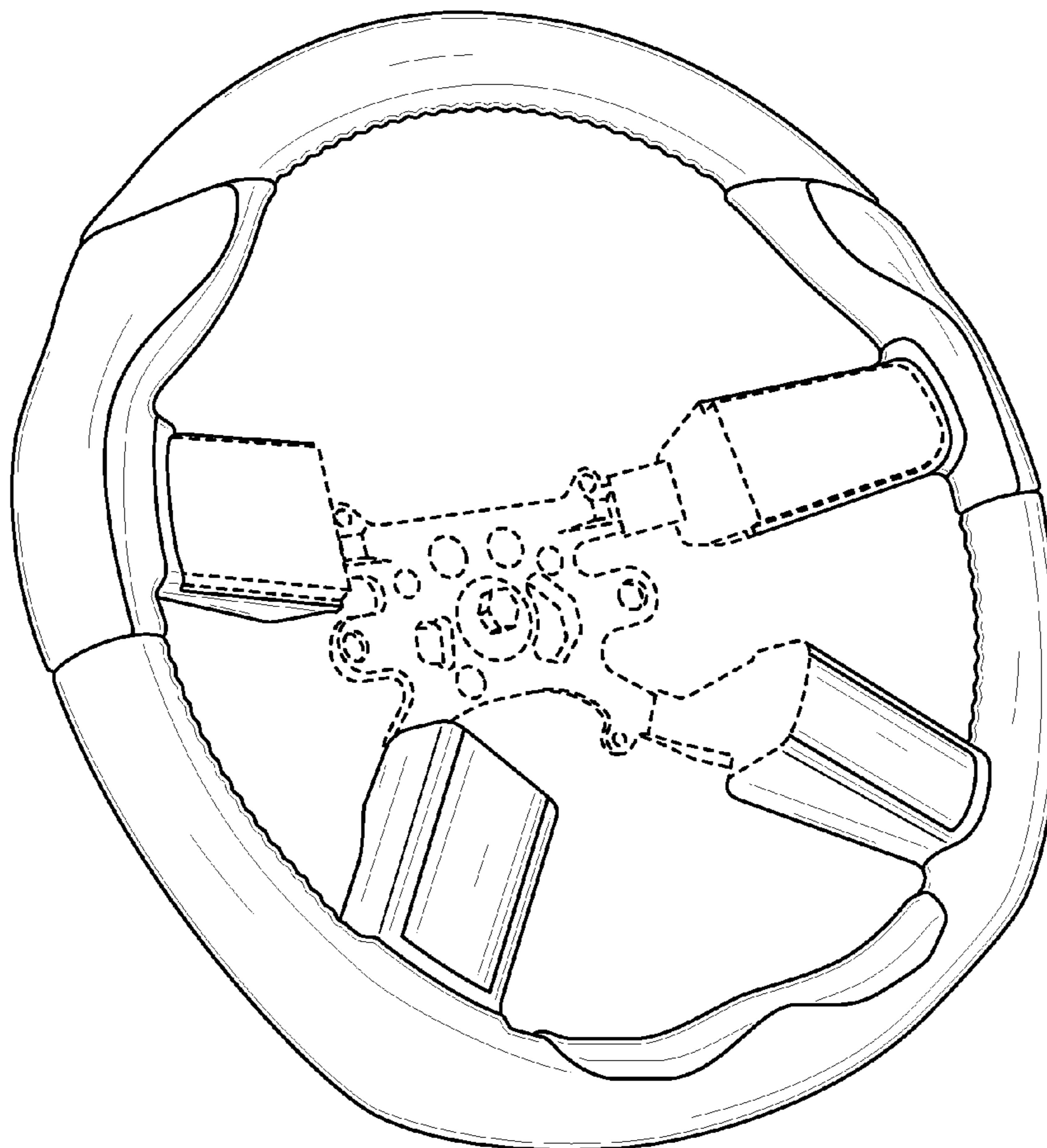
FIG. 1 is a top left perspective view of a steering wheel for a motor vehicle showing my design; FIG. 2 is a front view thereof; FIG. 3 is a rear view thereof; FIG. 4 is a left side view thereof; FIG. 5 is a right side view thereof; FIG. 6 is a top view thereof; and, FIG. 7 is a bottom view thereof.

(56) **References Cited**

U.S. PATENT DOCUMENTS

D267,248 S * 12/1982 Poteet D12/176
D312,435 S * 11/1990 Funabashi et al. D12/176
D321,497 S * 11/1991 Whitley, II D12/176
D356,765 S * 3/1995 DiMatteo D12/176

1 Claim, 6 Drawing Sheets



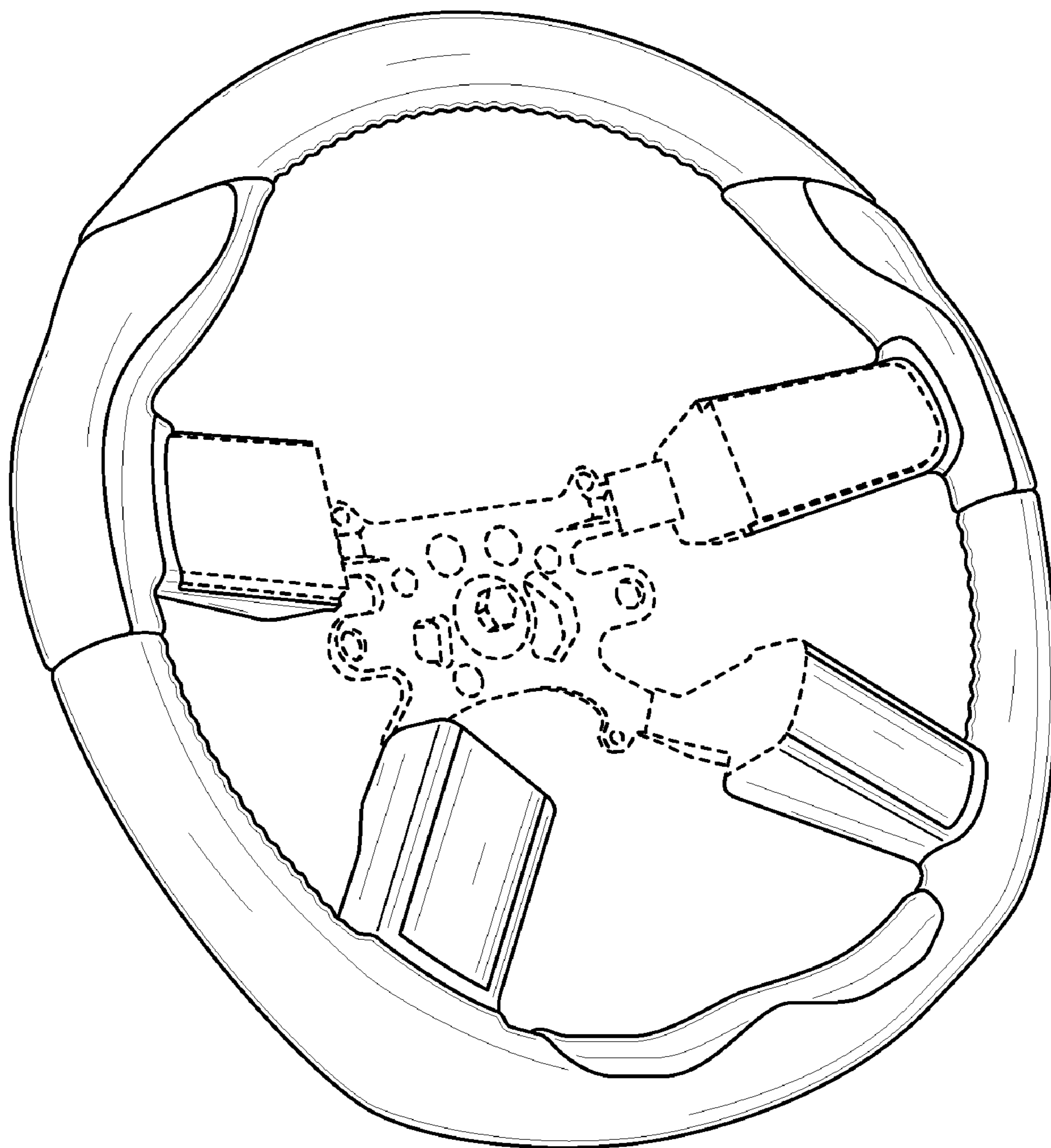


FIG. 1

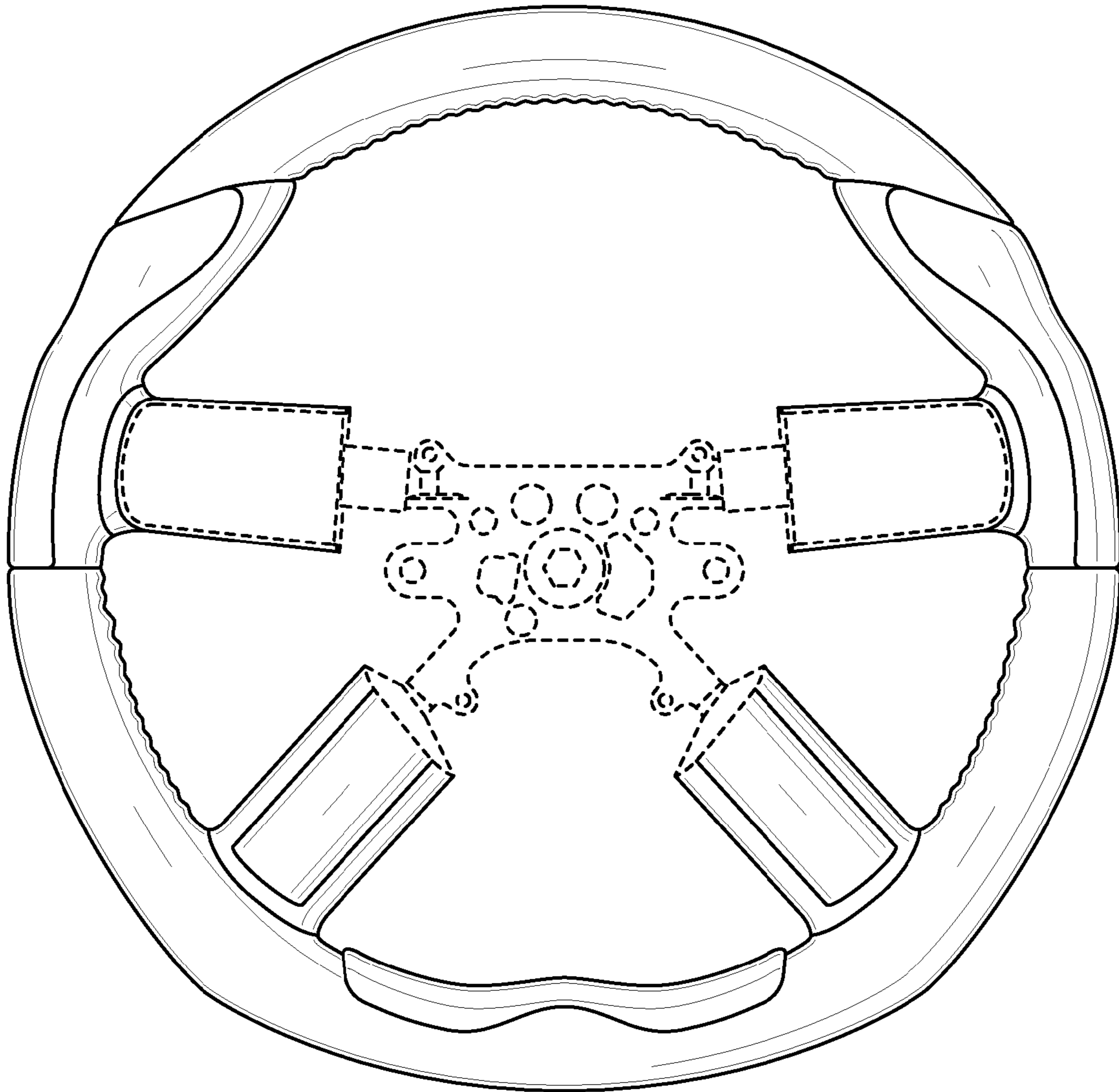


FIG. 2

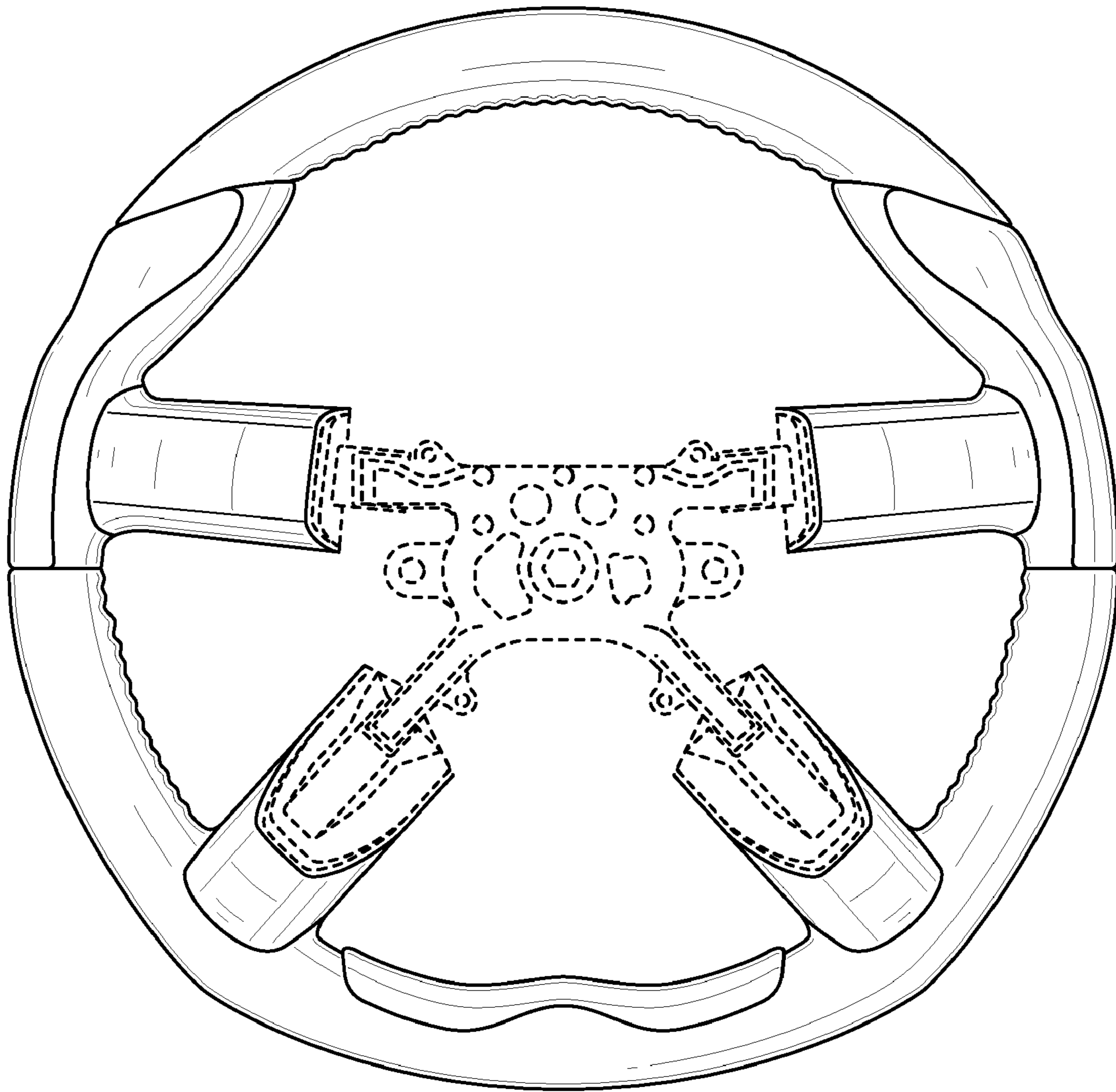


FIG. 3

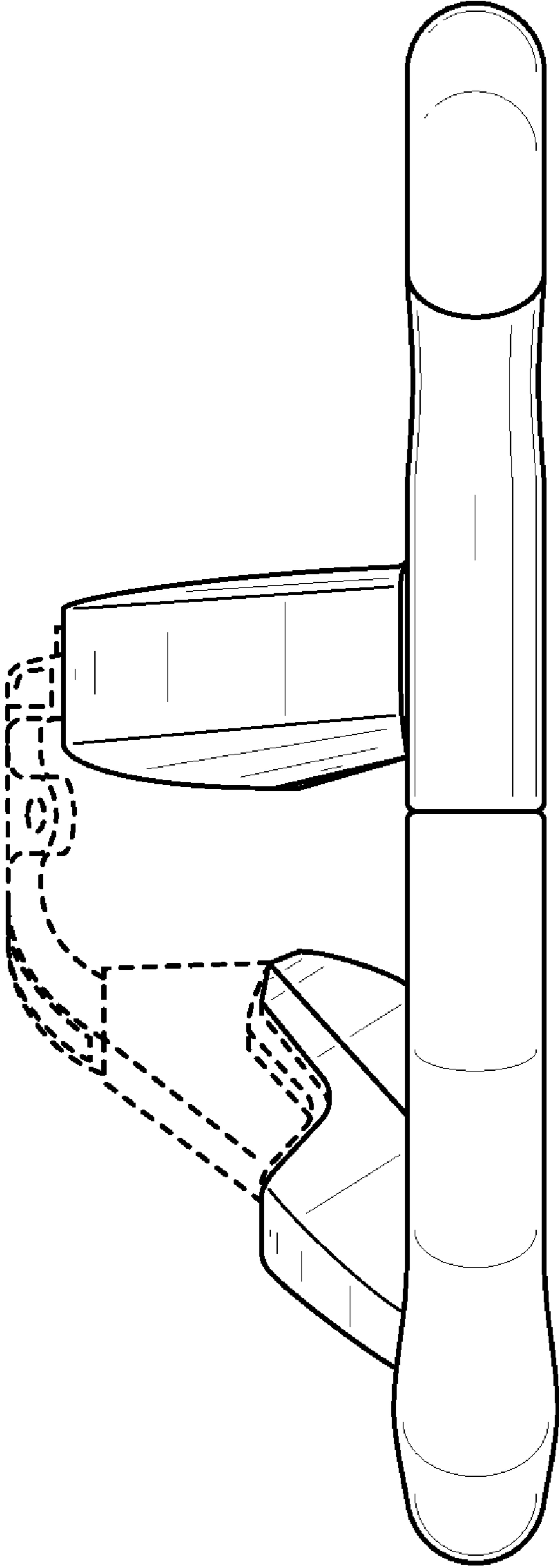


FIG. 4

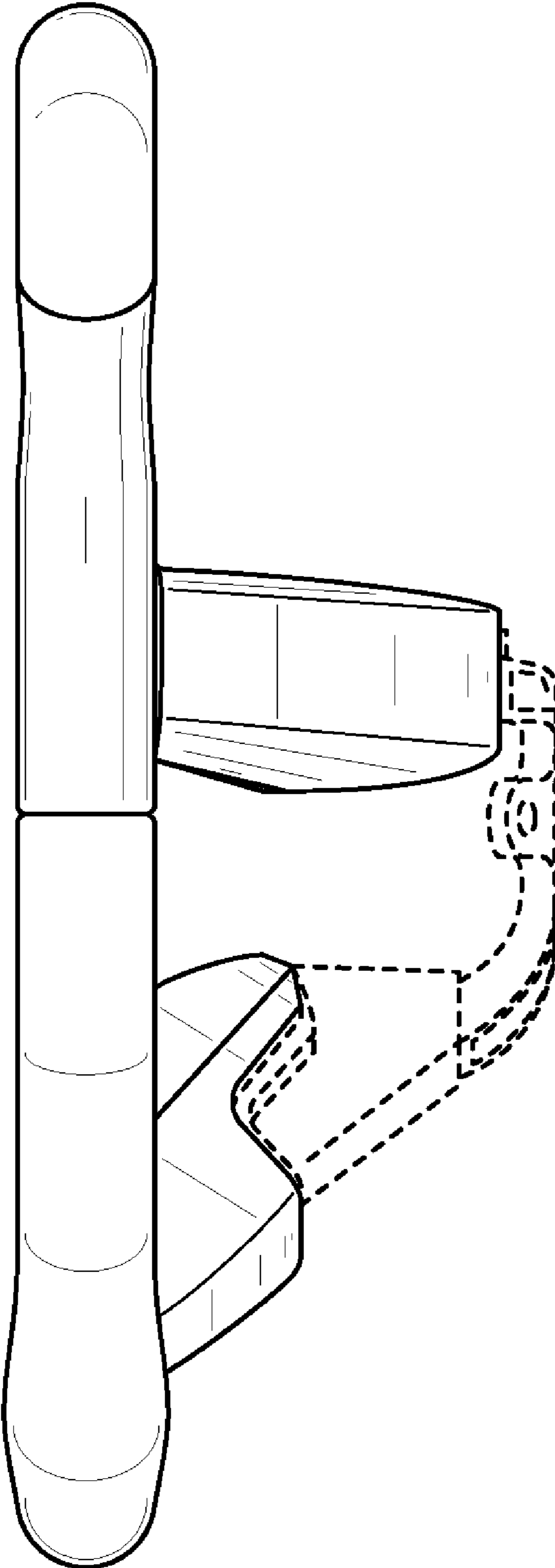


FIG. 5

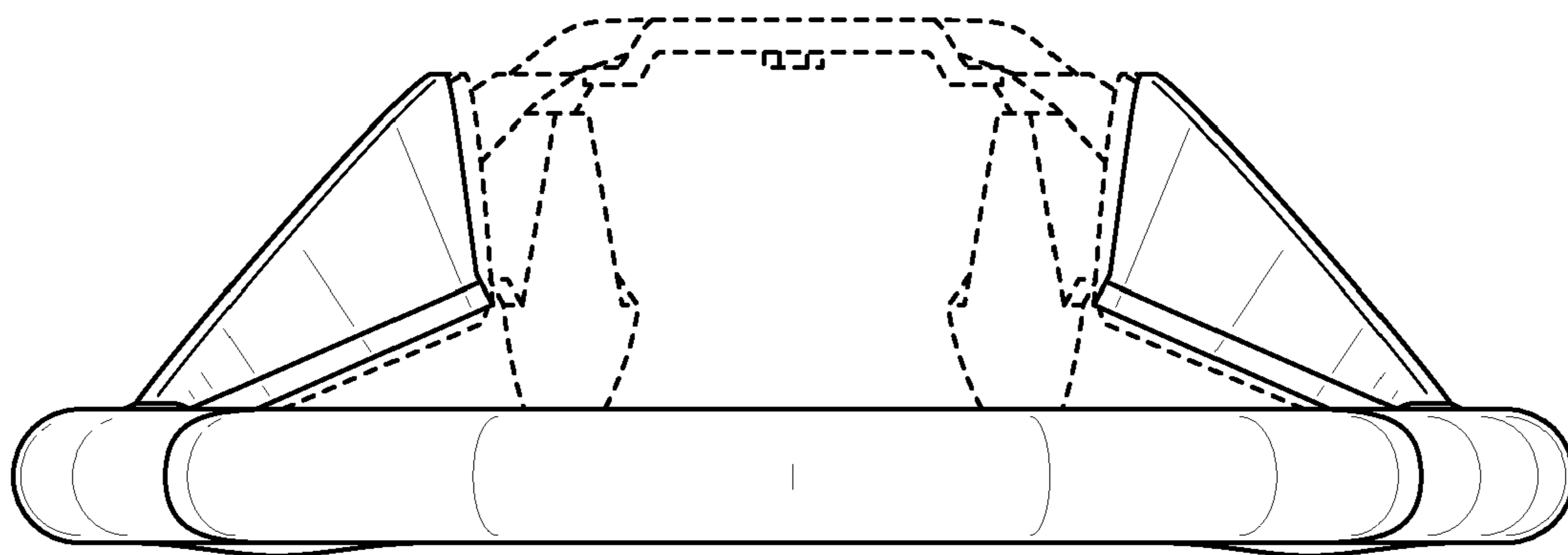


FIG. 6

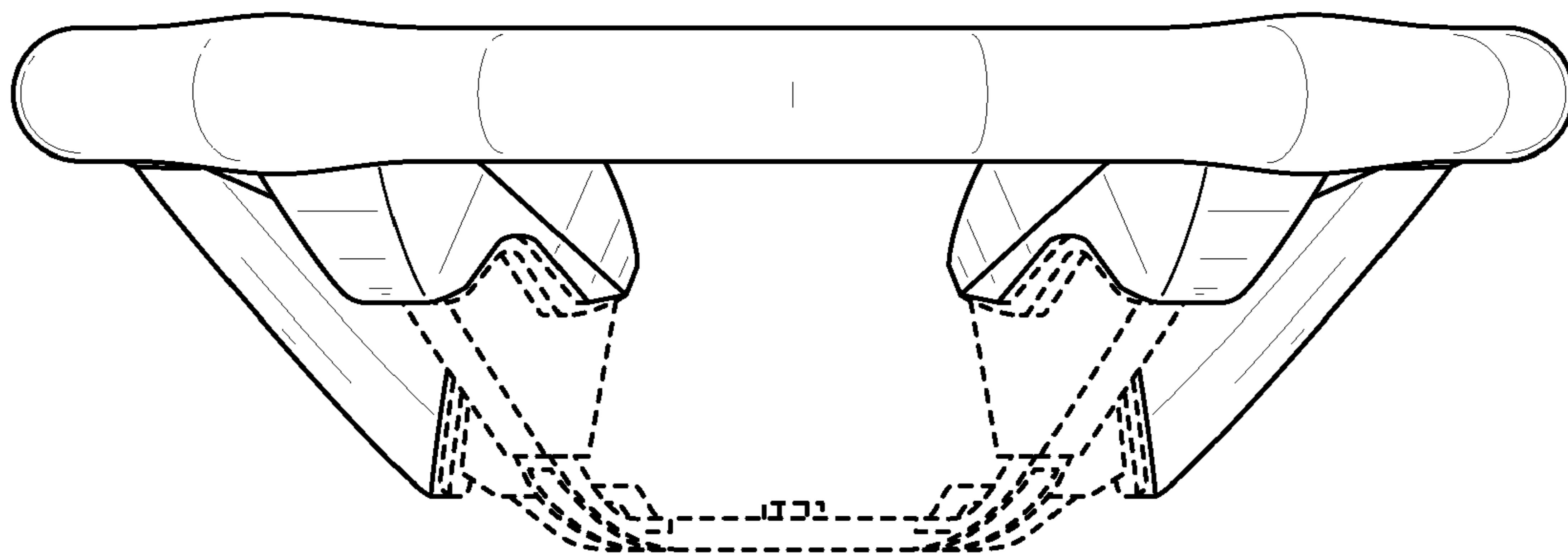


FIG. 7