



US00D635898S

(12) **United States Design Patent**
Baur et al.

(10) **Patent No.:** **US D635,898 S**

(45) **Date of Patent:** **** Apr. 12, 2011**

(54) **FRONT END OF A VEHICLE, TOY REPLICA
AND/OR OTHER REPLICAS**

D615,464 S * 5/2010 Frei et al. D12/164
D617,682 S * 6/2010 Frei et al. D12/91
D627,274 S * 11/2010 Bauer et al. D12/164

* cited by examiner

(75) Inventors: **Ulrich Baur**, Stuttgart (DE); **Michael
Frei**, Sindelfingen (DE); **Hans-Dieter
Futschik**, Gechingen (DE); **Uwe Haller**,
Marbach a.N. (DE); **Gorden Wagener**,
Stuttgart (DE)

Primary Examiner — Melody N Brown

(74) *Attorney, Agent, or Firm* — Crowell & Moring LLP

(73) Assignee: **Daimler AG**, Stuttgart (DE)

(57) **CLAIM**

The ornamental design for a front end of a vehicle, toy replica
and/or other replicas, as shown and described.

(**) Term: **14 Years**

DESCRIPTION

(21) Appl. No.: **29/311,575**

This application contains subject matter related to the follow-
ing U.S. design patent applications:

(22) Filed: **Apr. 22, 2009**

Application Serial No. 29/311,574, filed on even date and
entitled "Vehicle and Vehicle Shaped Articles";

(30) **Foreign Application Priority Data**

Application Ser. No. 29/311,710, filed Jun. 1, 2009 and
entitled "Radiator Grill for a Vehicle";

Oct. 23, 2008 (DE) 402008005087

Application Ser. No. 29/311,708, filed Jun. 1, 2009 and
entitled "Radiator Grill for a Vehicle"; and

(51) **LOC (9) Cl.** **12-16**

Application Ser. No. 29/311,709, filed Jun. 1, 2009 and
entitled "Front Bumper for a Vehicle".

(52) **U.S. Cl.** **D12/164**

FIG. 1 is a right, front perspective view of a front end of a
vehicle, toy replica and/or other replicas according to our
novel design, the left, front perspective view being mirror
symmetrical;

(58) **Field of Classification Search** D12/164,
D12/196, 90-92, 86; 296/181.1, 181.5
See application file for complete search history.

FIG. 2 is a front view thereof;

(56) **References Cited**

FIG. 3 is a right side view thereof, the left side view being
mirror symmetrical; and,

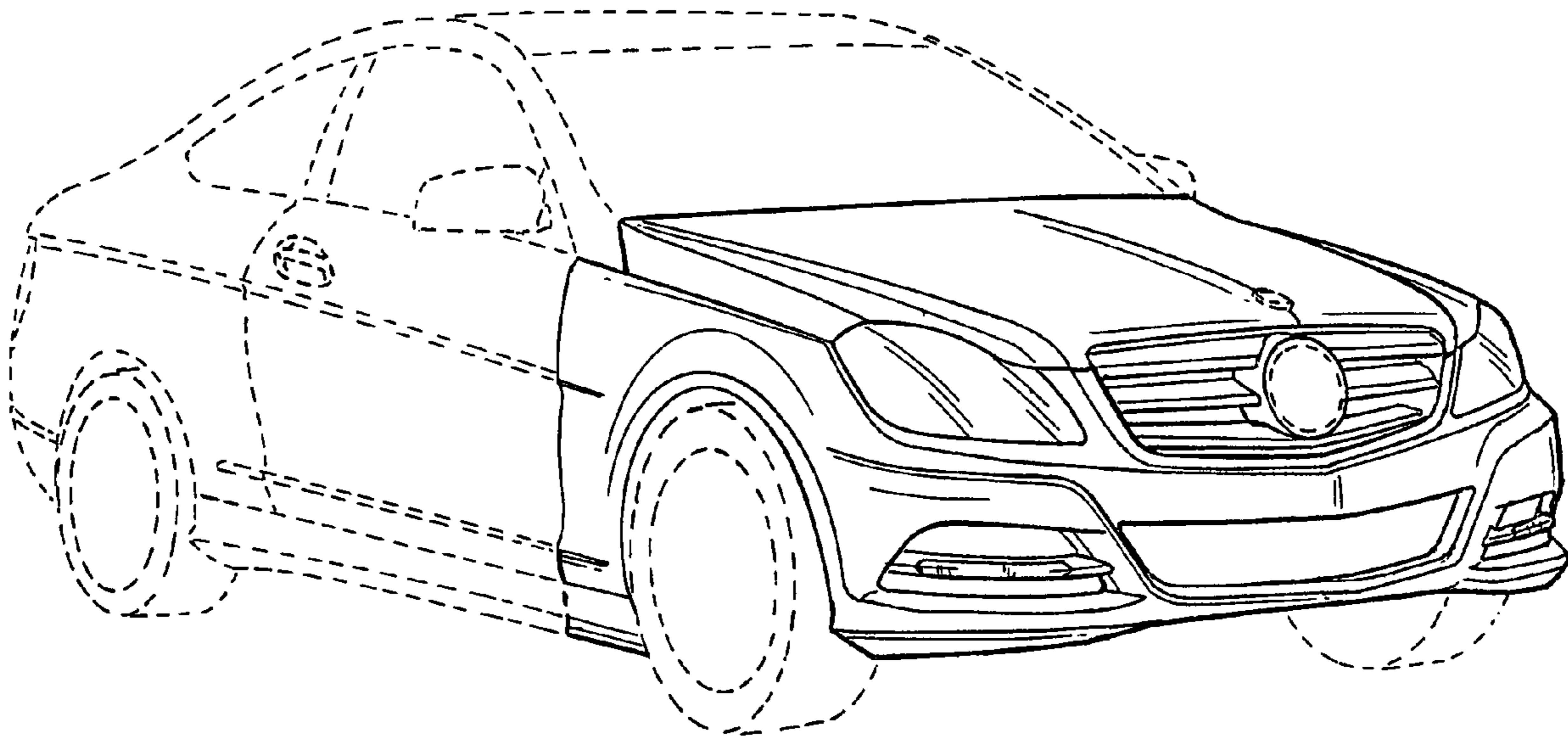
U.S. PATENT DOCUMENTS

D588,499 S * 3/2009 Pfeiffer D12/92
D596,078 S * 7/2009 Pfeiffer et al. D12/92
D600,172 S * 9/2009 Frenzel et al. D12/164

FIG. 4 is a top view thereof.

The broken lines are for illustrative purposes only and form
no part of the claimed design.

1 Claim, 3 Drawing Sheets



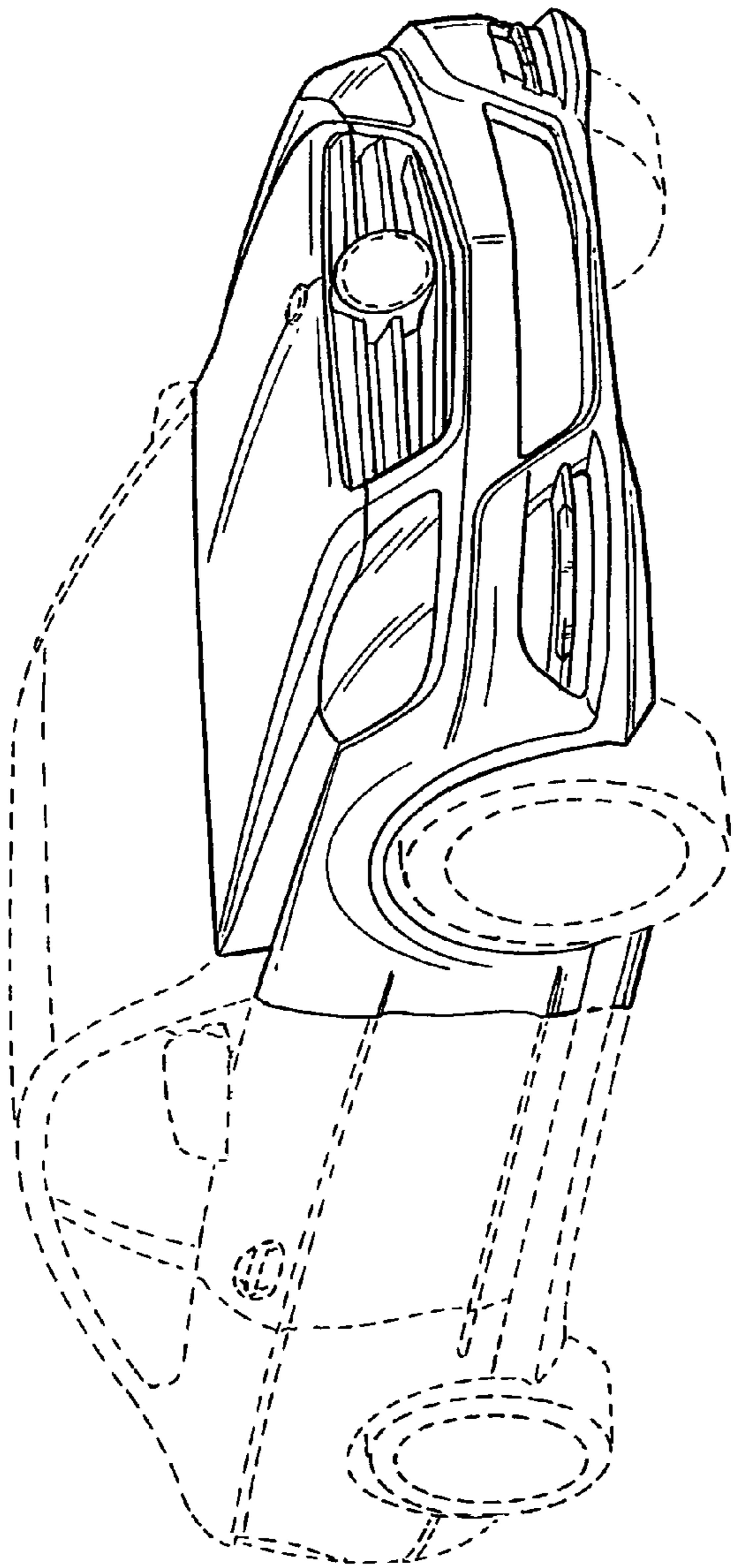


FIG. 1

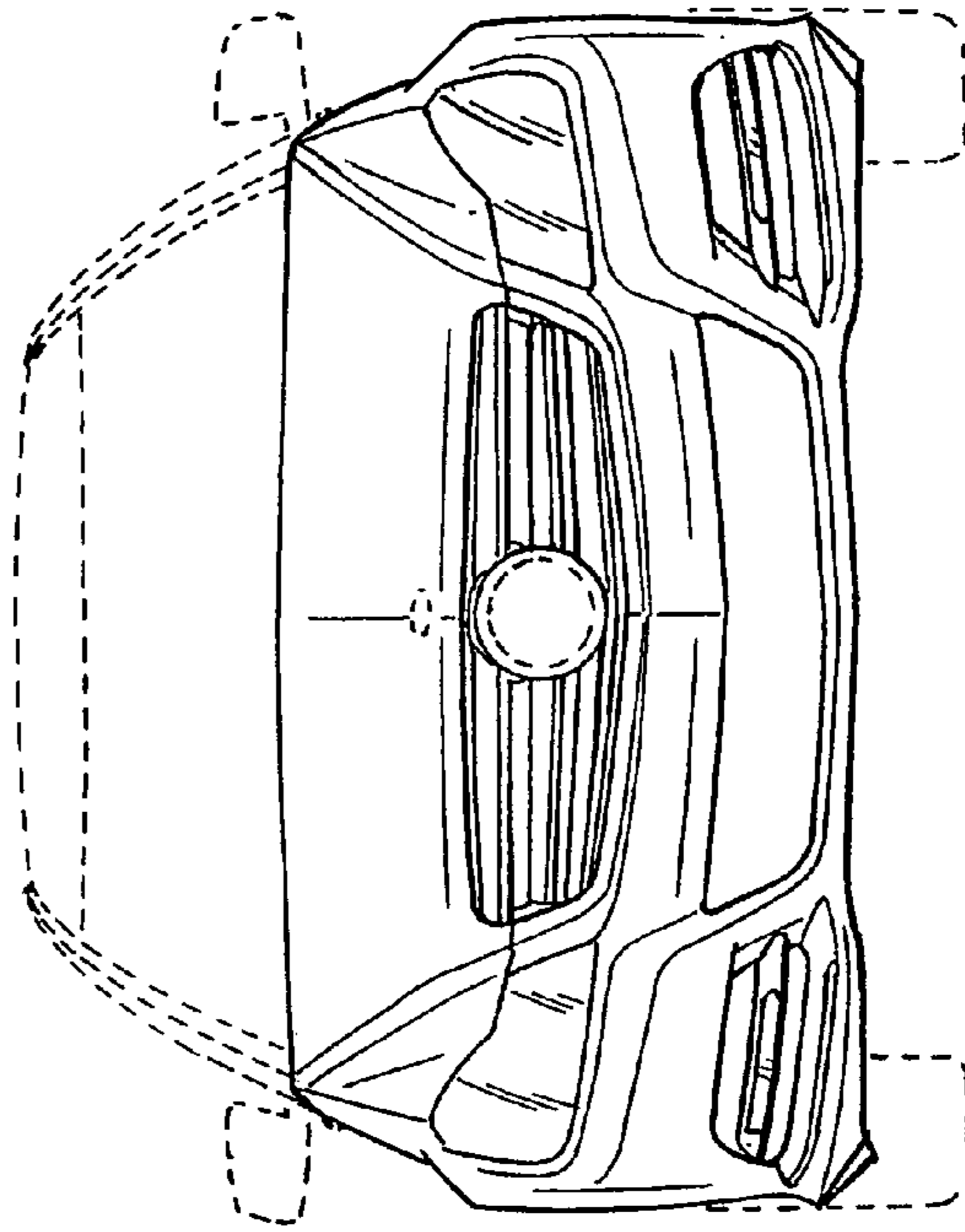


FIG. 2

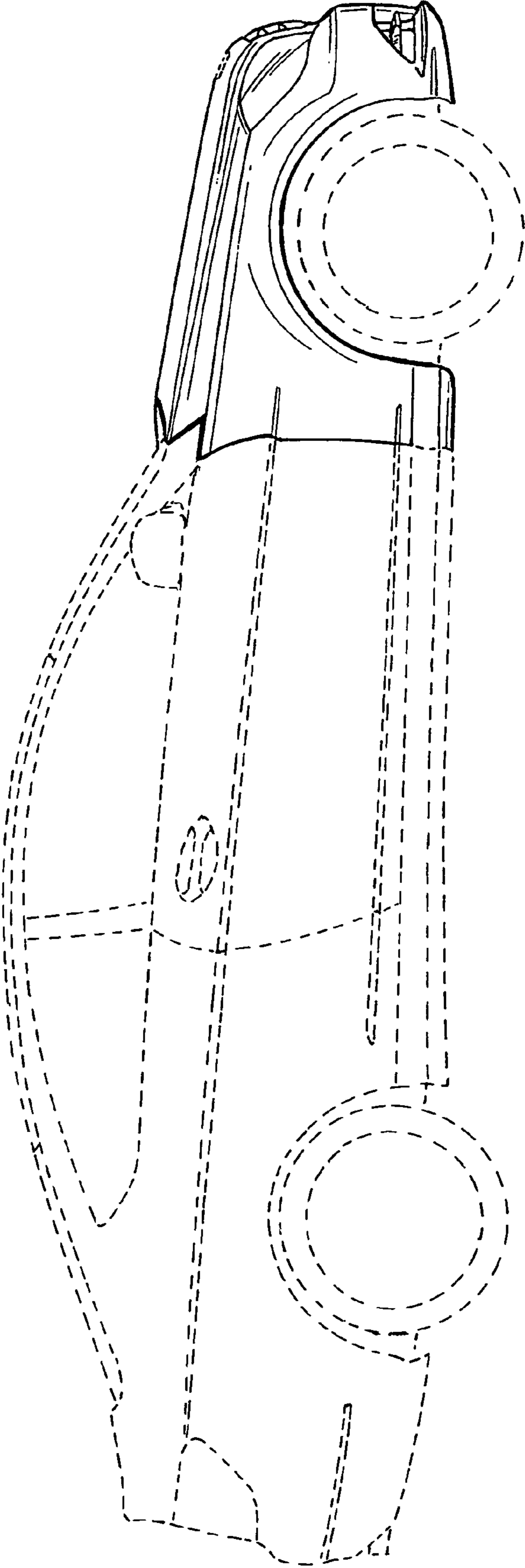


FIG. 3

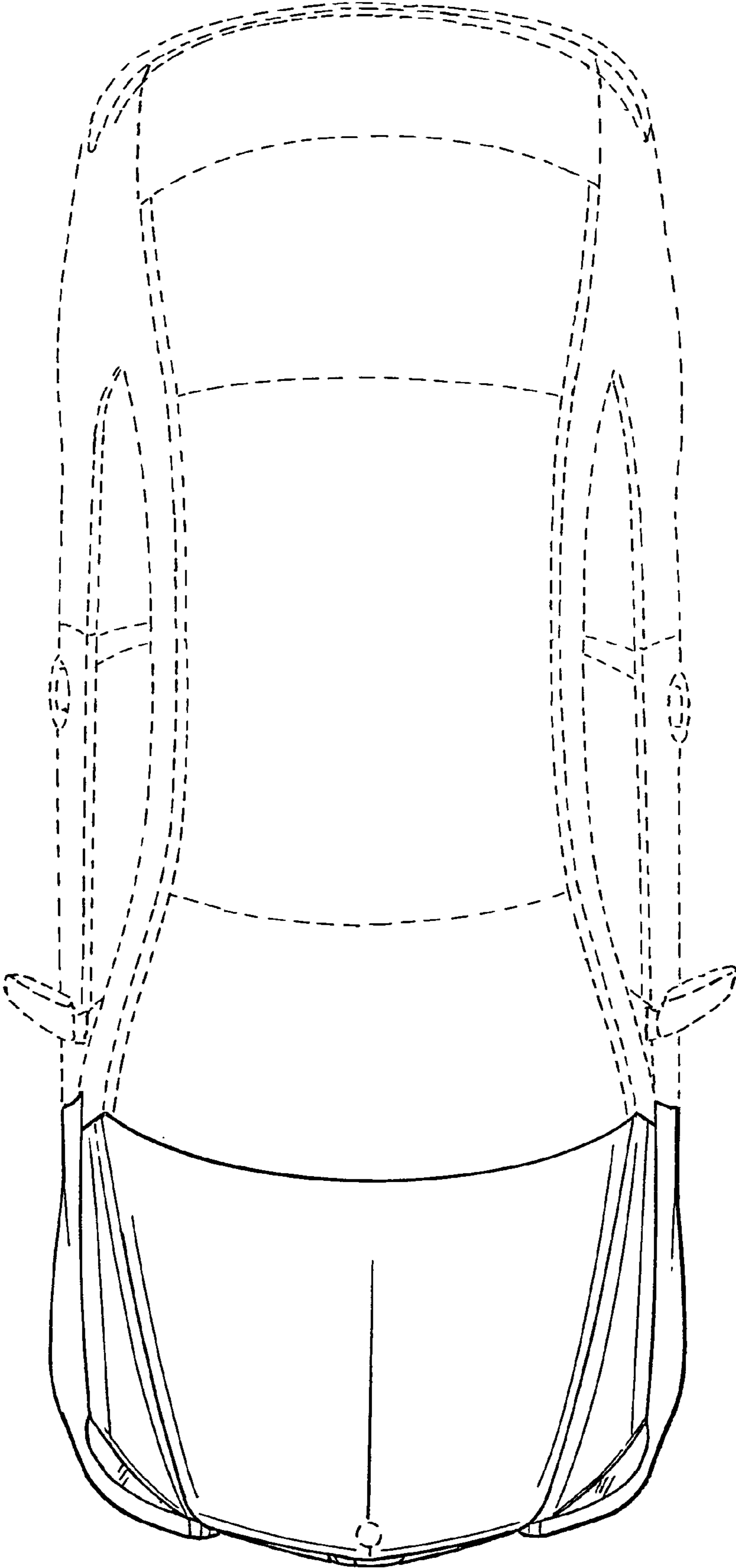


FIG. 4