



US00D635894S

(12) **United States Design Patent**
Argote Vivar

(10) **Patent No.:** **US D635,894 S**

(45) **Date of Patent:** **** Apr. 12, 2011**

(54) **BICYCLE FRAME**

(75) Inventor: **Jose Ignacio Argote Vivar**, Mallabia (ES)

(73) Assignee: **ORBEA, S. Coop. Ltda.**, Mallabia (Bizkaia) (ES)

(**) Term: **14 Years**

(21) Appl. No.: **29/362,915**

(22) Filed: **Jun. 2, 2010**

(51) **LOC (9) Cl.** **12-11**

(52) **U.S. Cl.** **D12/111**

(58) **Field of Classification Search** D12/111,
D12/117, 118; 280/274-278, 283-288, 281.1,
280/288.1-288.3, 288.4

See application file for complete search history.

(56) **References Cited**

U.S. PATENT DOCUMENTS

4,941,674	A *	7/1990	Trimble	280/281.1
4,982,975	A *	1/1991	Trimble	280/281.1
5,957,473	A *	9/1999	Lawwill	280/284
6,036,213	A *	3/2000	Busby	280/284
6,889,992	B2 *	5/2005	Vroomen et al.	280/274
D575,681	S *	8/2008	Argote Vivar	D12/111
D604,205	S *	11/2009	Cattaneo	D12/111

OTHER PUBLICATIONS

© 2001-2007 Freemans Cycles, Orbea Arin, Orbea Onix 2009, Orbea Ordu, Orbea Orca 2009, and Orbea Lobular bicycle frames [Retrieved on Oct. 27, 2010]. Retrieved from the Internet <URL: http://www.freemanscycles.co.uk/cycle_frames_forks/cycle_frames_forks_suspension.as...>.*

2008 Orbea Arin bicycle frame (enlarged) . [Retrieved on Oct. 27, 2010]. Retrieved from the Internet <URL: http://www.freemanscycles.co.uk/images/Frames/Road/_arin_2008.jpg>.*

2009 Orbea Onix bicycle frame (enlarged) . [Retrieved on Oct. 27, 2010]. Retrieved from the Internet <URL: http://www.freemanscycles.co.uk/images/Frames/Road/Orbea_onix.jpg>.*

© 2001-2007 Orbea Ordu bicycle frame (enlarged) . [Retrieved on Oct. 27, 2010]. Retrieved from the Internet <URL: http://www.freemanscycles.co.uk/images/Frames/Road/Orbea_ordu.jpg>.*

2009 Orbea Orca bicycle frame (enlarged) . [Retrieved on Oct. 27, 2010]. Retrieved from the Internet <URL: http://www.freemanscycles.co.uk/images/Frames/Road/Orbea_orca.jpg>.*

2007 Orbea Lobular bicycle frame (enlarged) . [Retrieved on Oct. 27, 2010]. Retrieved from the Internet <URL: http://www.freemanscycles.co.uk/images/Frames/Road/orbea_lobular_2007.jpg>.*

* cited by examiner

Primary Examiner — Philip S Hyder

Assistant Examiner — Linda G. Brooks

(74) *Attorney, Agent, or Firm* — Lucas & Mercanti, LLP

(57) **CLAIM**

The ornamental design for a bicycle frame, substantially as shown and described.

DESCRIPTION

FIG. 1 is a perspective view of my bicycle frame design; FIG. 2 is a front view of my bicycle frame design, enlarged for clarity;

FIG. 3 is a left-side view of my bicycle frame design;

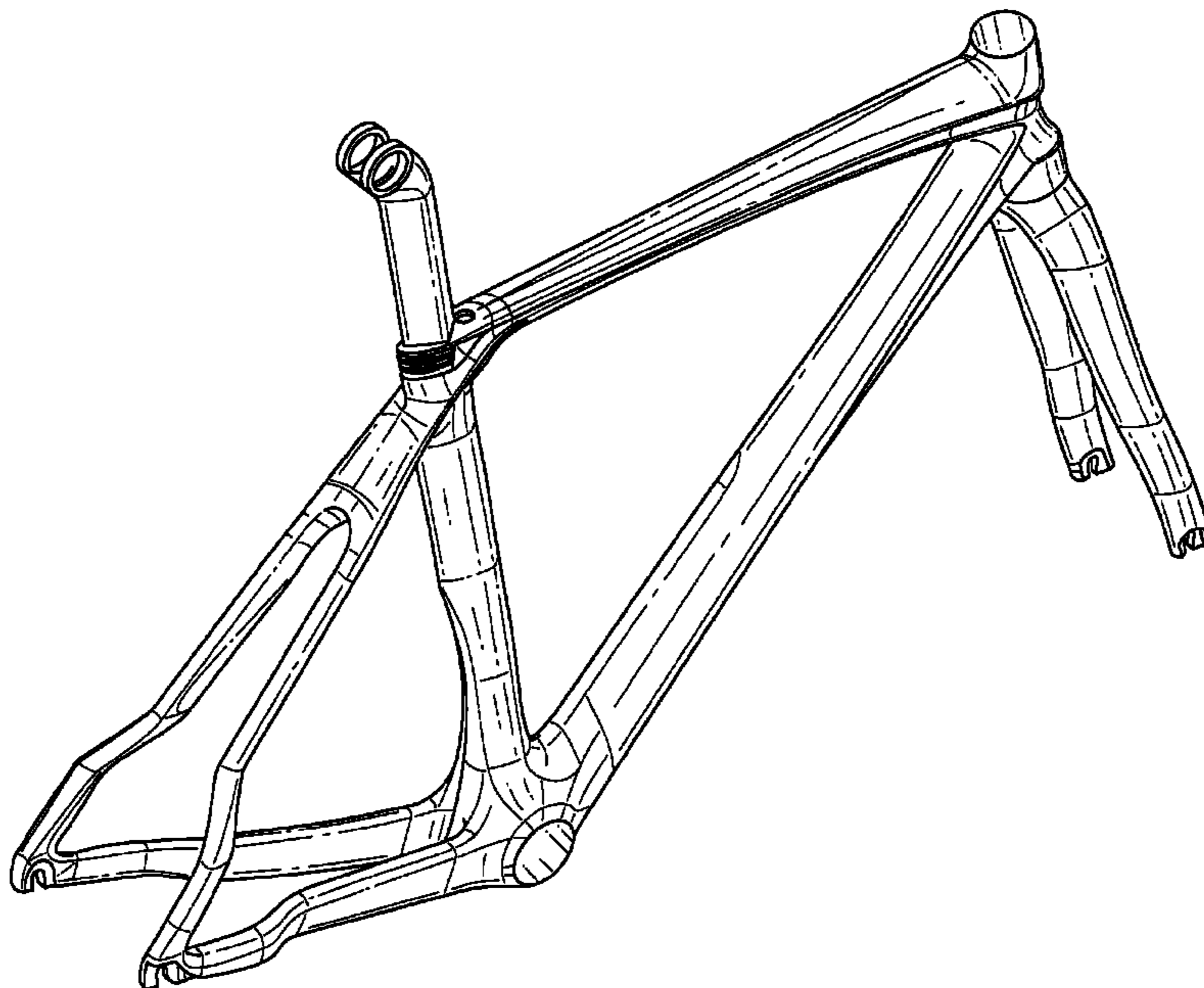
FIG. 4 is a top view of my bicycle frame design;

FIG. 5 is a back view of my bicycle frame design, enlarged for clarity;

FIG. 6 is a right-side view of my bicycle frame design; and,

FIG. 7 is a bottom view of my bicycle frame design.

1 Claim, 7 Drawing Sheets



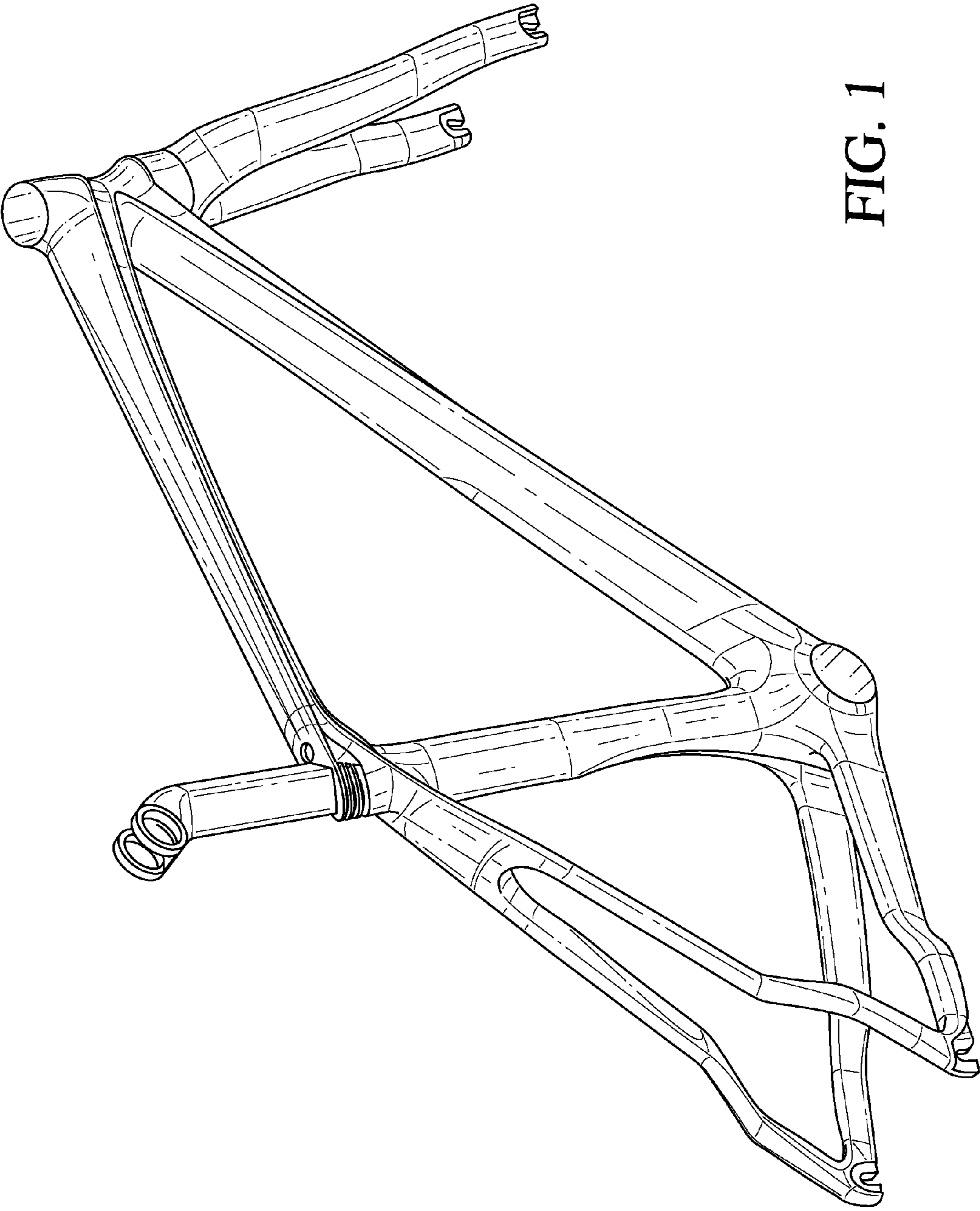


FIG. 1

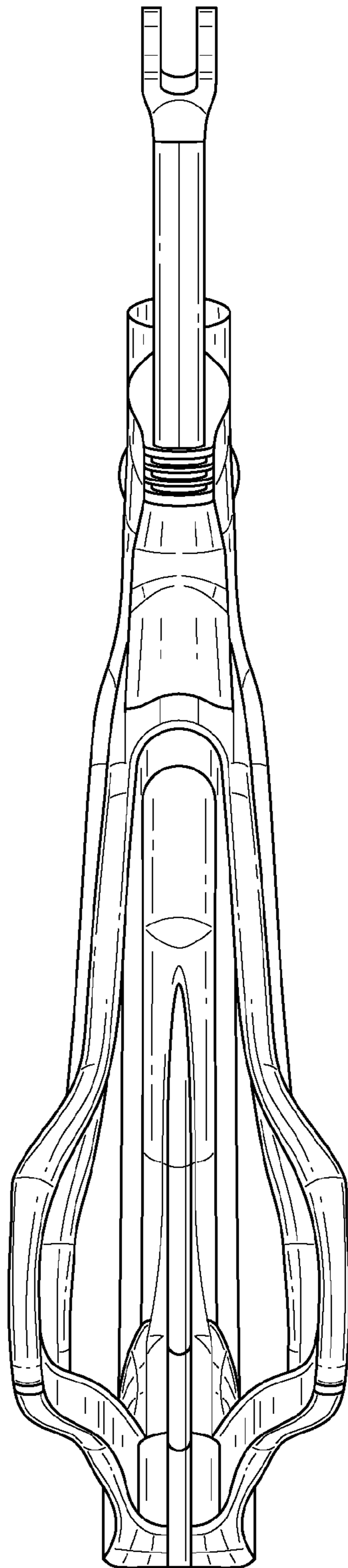


FIG. 2

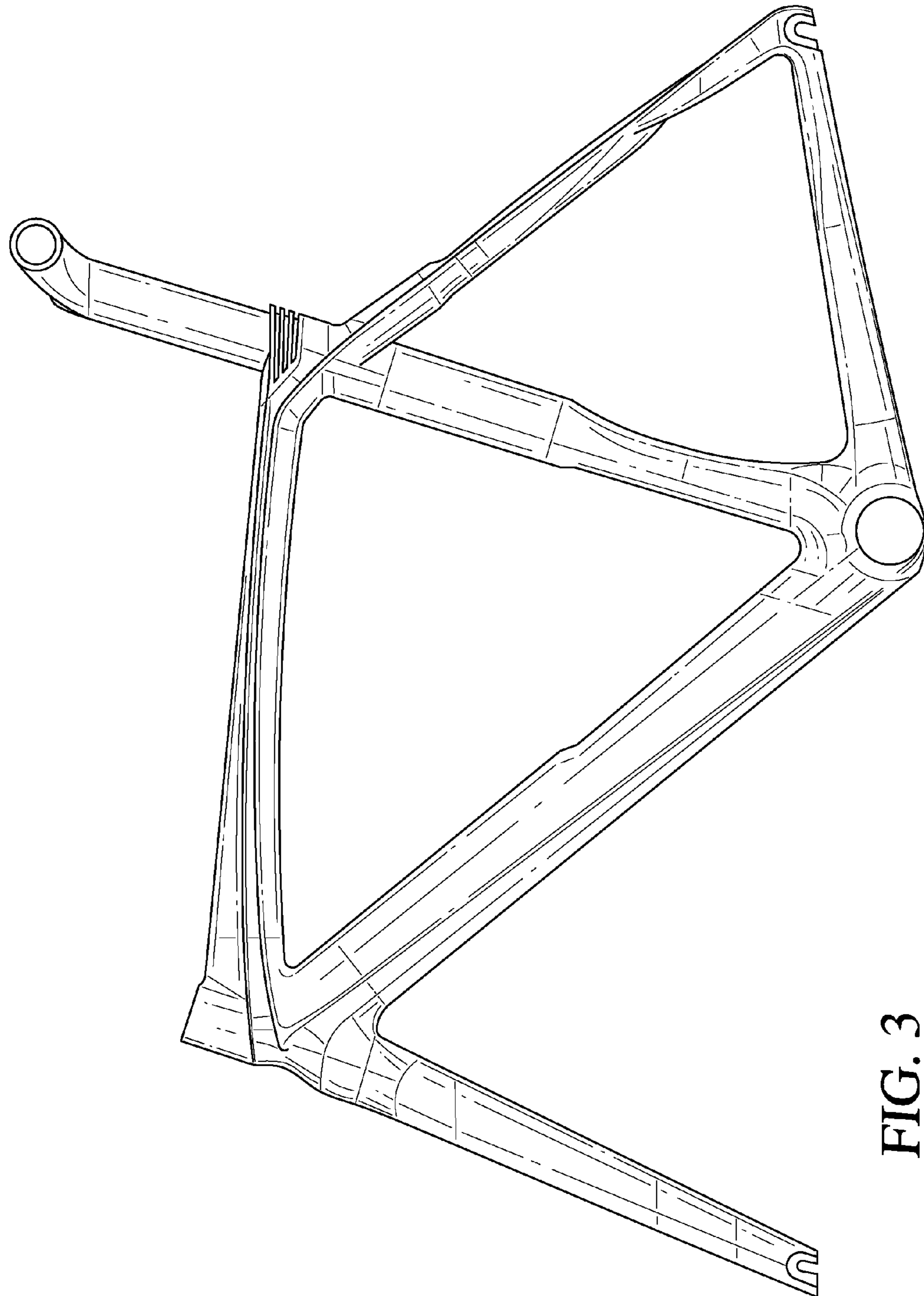


FIG. 3

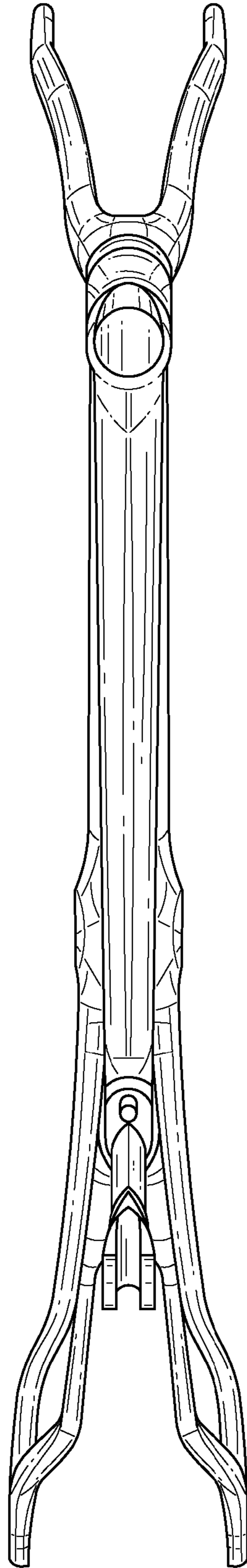


FIG. 4

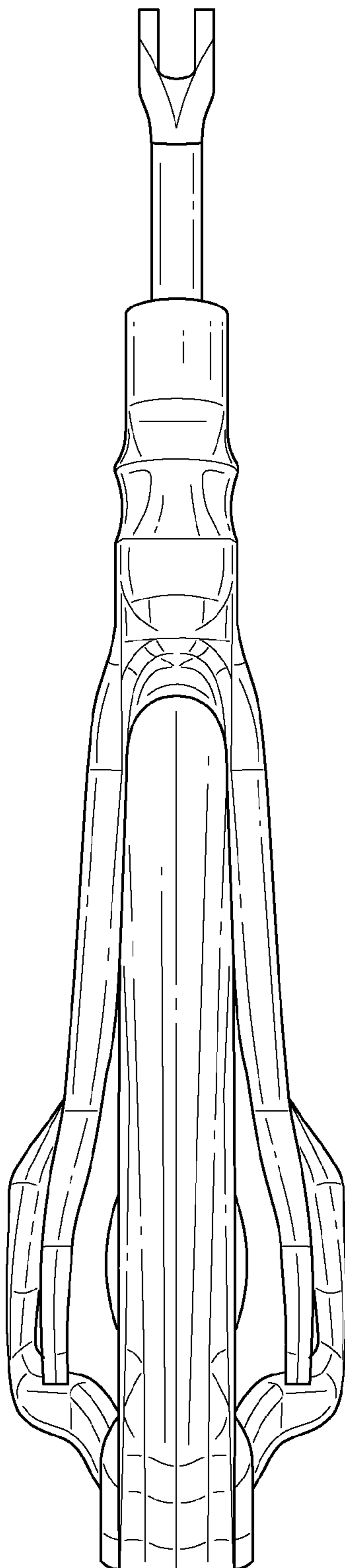


FIG. 5

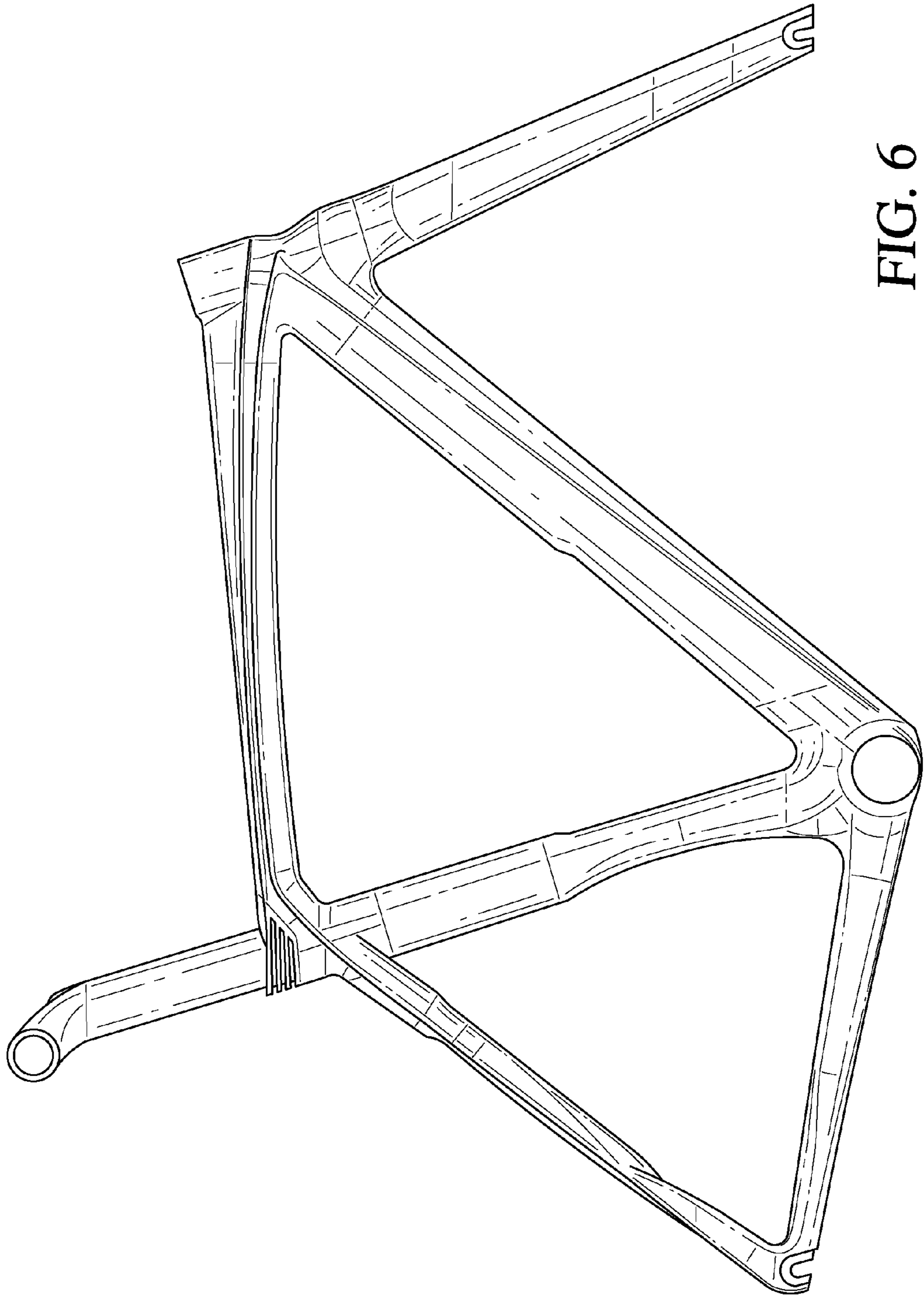


FIG. 6

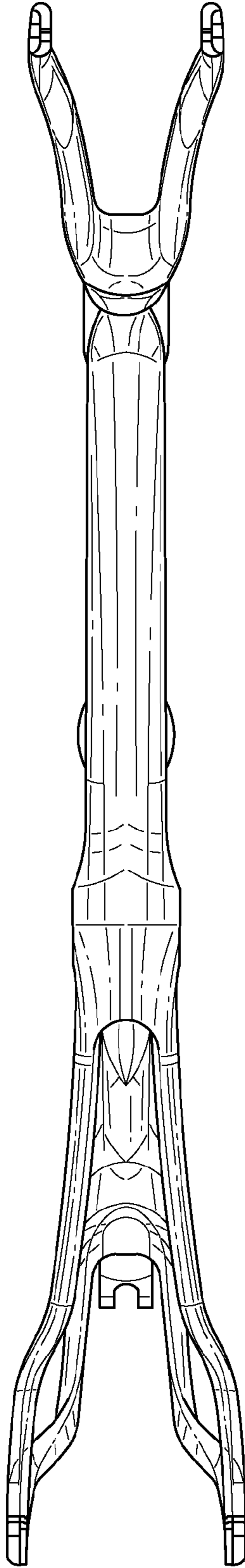


FIG. 7