



US00D635890S

(12) **United States Design Patent**
Sutton-Russo

(10) **Patent No.:** **US D635,890 S**

(45) **Date of Patent:** **** Apr. 12, 2011**

(54) **PLANT POT STABILIZER**

(76) **Inventor:** **Marjorie J. Sutton-Russo**, Pemberton,
NJ (US)

(**) **Term:** **14 Years**

(21) **Appl. No.:** **29/369,433**

(22) **Filed:** **Sep. 8, 2010**

(51) **LOC (9) Cl.** **11-02**

(52) **U.S. Cl.** **D11/164**

(58) **Field of Classification Search** D6/403-405,
D6/556-558; D8/1; D11/143-156, 164;
D19/77, 80, 81, 84; D25/100; D26/9-11,
D26/16, 19; D34/1, 2, 4-6; D99/5, 19; 47/17,
47/32.4, 32.5, 32.7, 33, 39, 41.01, 41.1, 41.11-41.15,
47/44-47, 65, 65.5, 65.9, 66.1, 66.2, 66.6,
47/66.7, 67-71

See application file for complete search history.

(56) **References Cited**

U.S. PATENT DOCUMENTS

1,125,855 A * 1/1915 Mapes 312/284
D54,081 S * 11/1919 Graham D11/152

1,448,808 A * 3/1923 McGowan 47/41.01
1,831,308 A * 11/1931 Kuck 47/41.01
4,827,663 A * 5/1989 Stern 47/41.13
5,321,909 A * 6/1994 Loran 47/71
D361,308 S * 8/1995 Loran D11/164
5,836,105 A 11/1998 Loosen
D440,833 S * 4/2001 Tanner D8/1
D625,566 S * 10/2010 Alford D26/10

* cited by examiner

Primary Examiner — Garth Rademaker

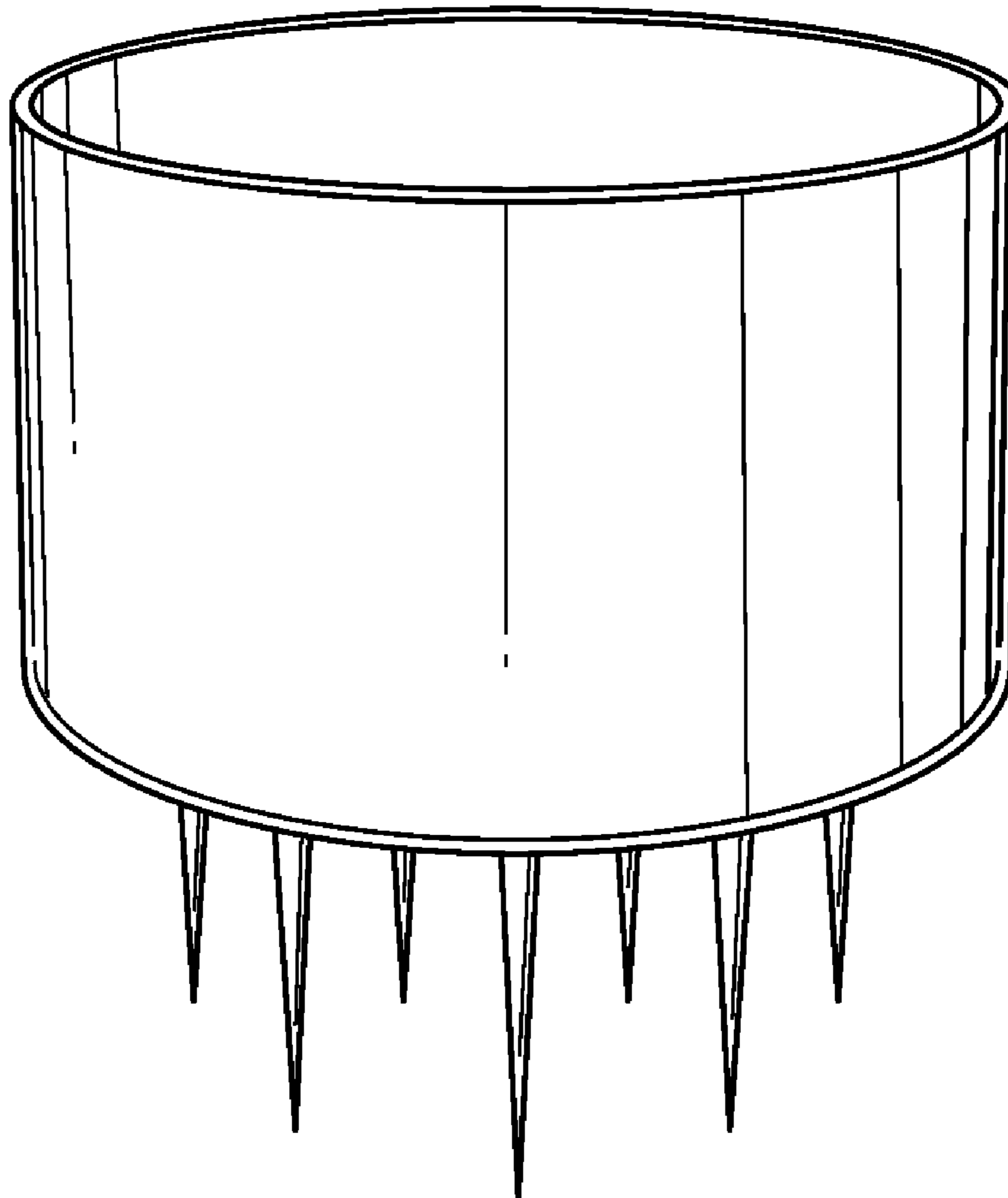
(57) **CLAIM**

The ornamental design for a plant pot stabilizer, as shown and described.

DESCRIPTION

FIG. 1 is a perspective view of a plant pot stabilizer showing my new design;
FIG. 2 is a top plan view thereof;
FIG. 3 is a bottom plan view thereof;
FIG. 4 is a left side elevational thereof, which is a mirror image of a right side elevational view thereof; and,
FIG. 5 is a front elevational view thereof, which is a mirror image of a rear elevational view thereof.

1 Claim, 2 Drawing Sheets



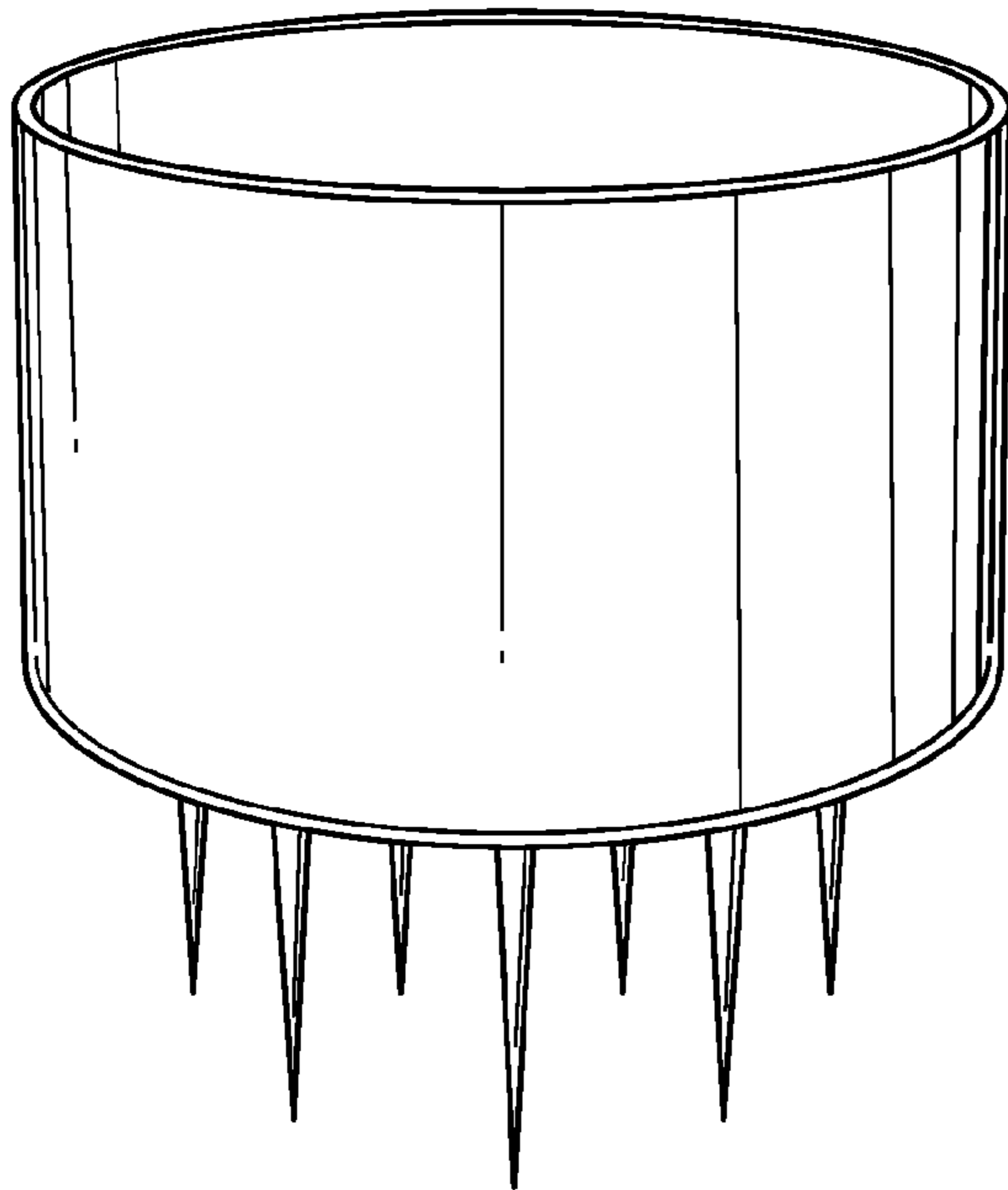


Fig. 1

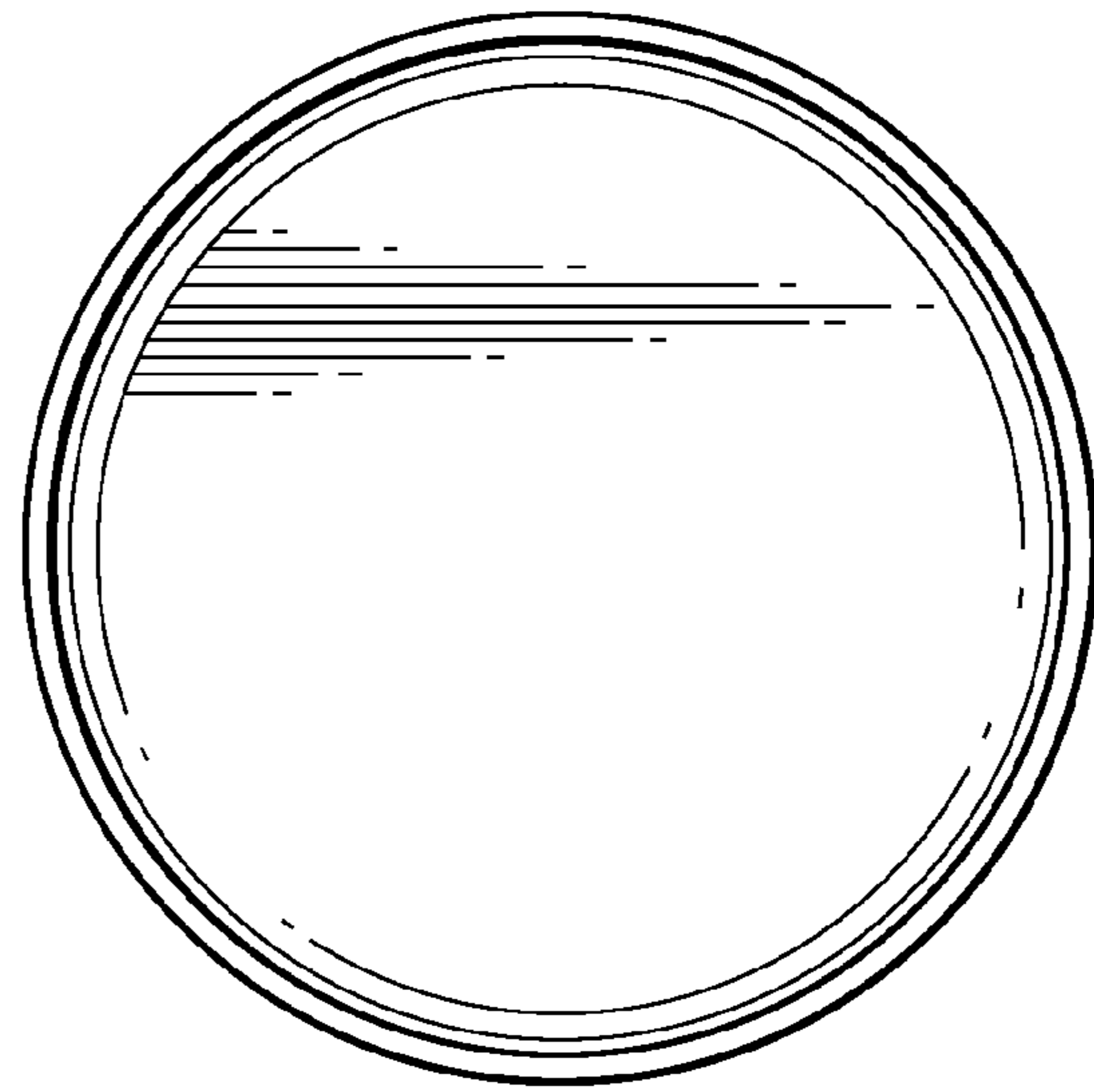


Fig. 2

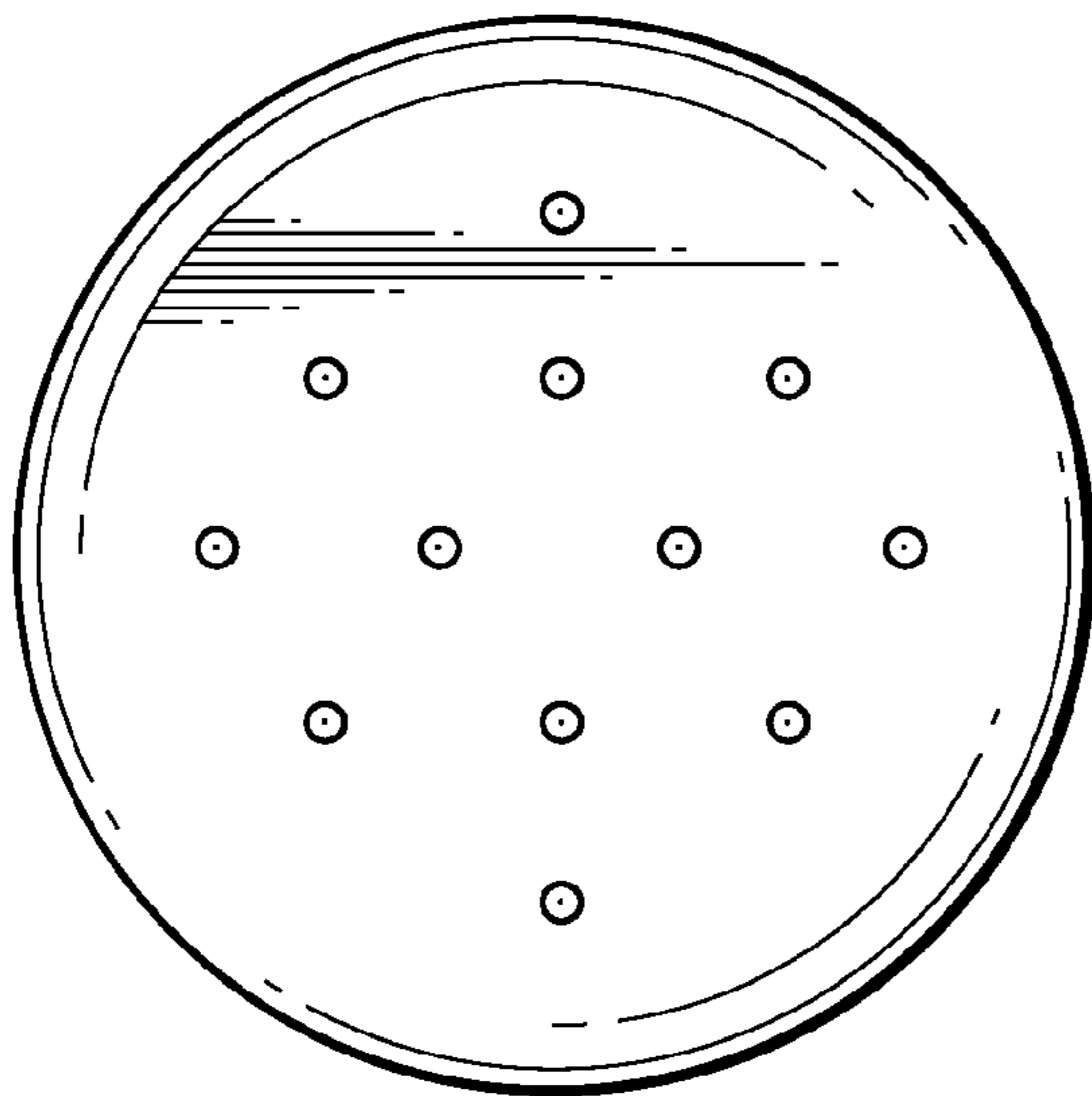


Fig. 3

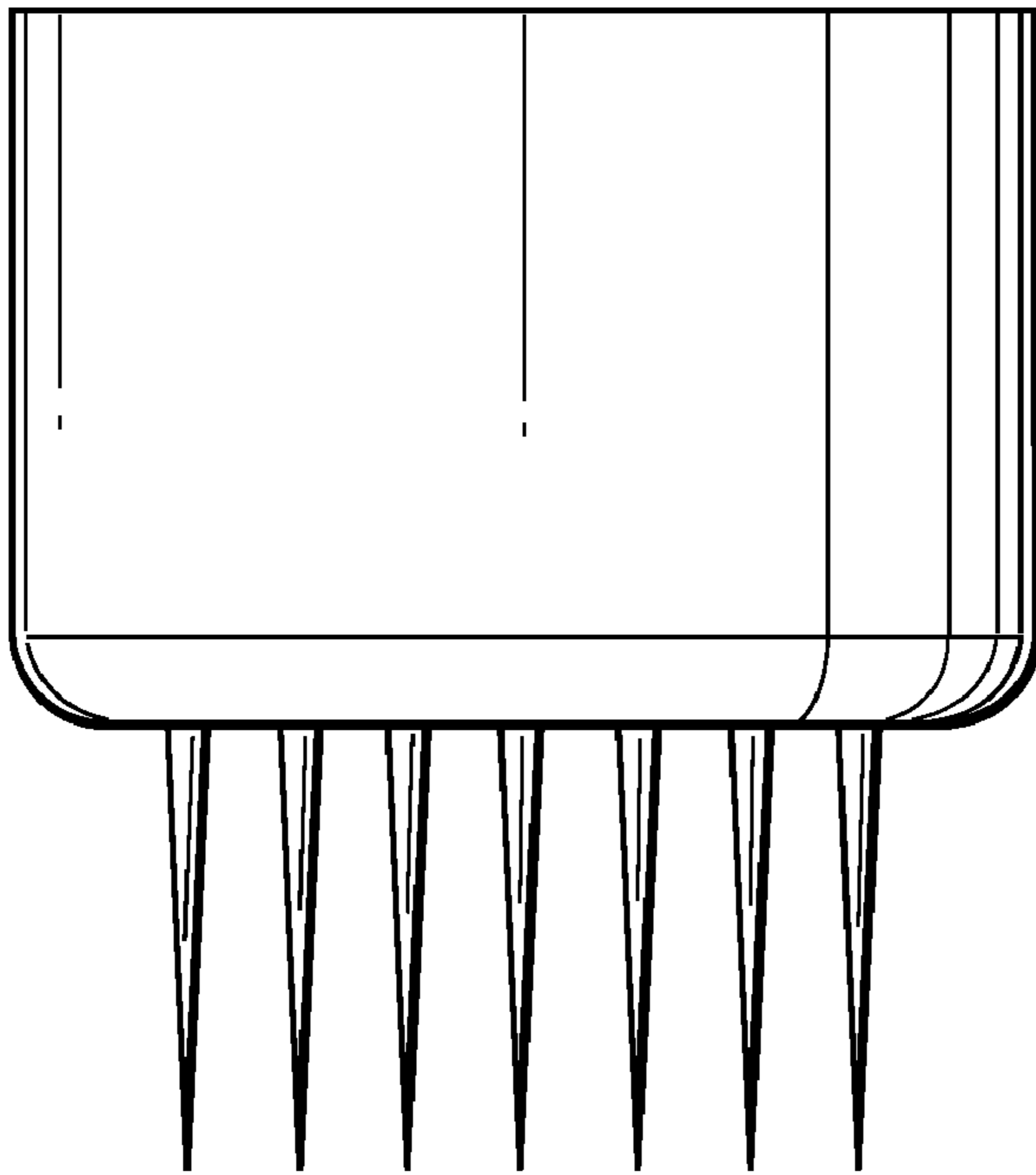


Fig. 4

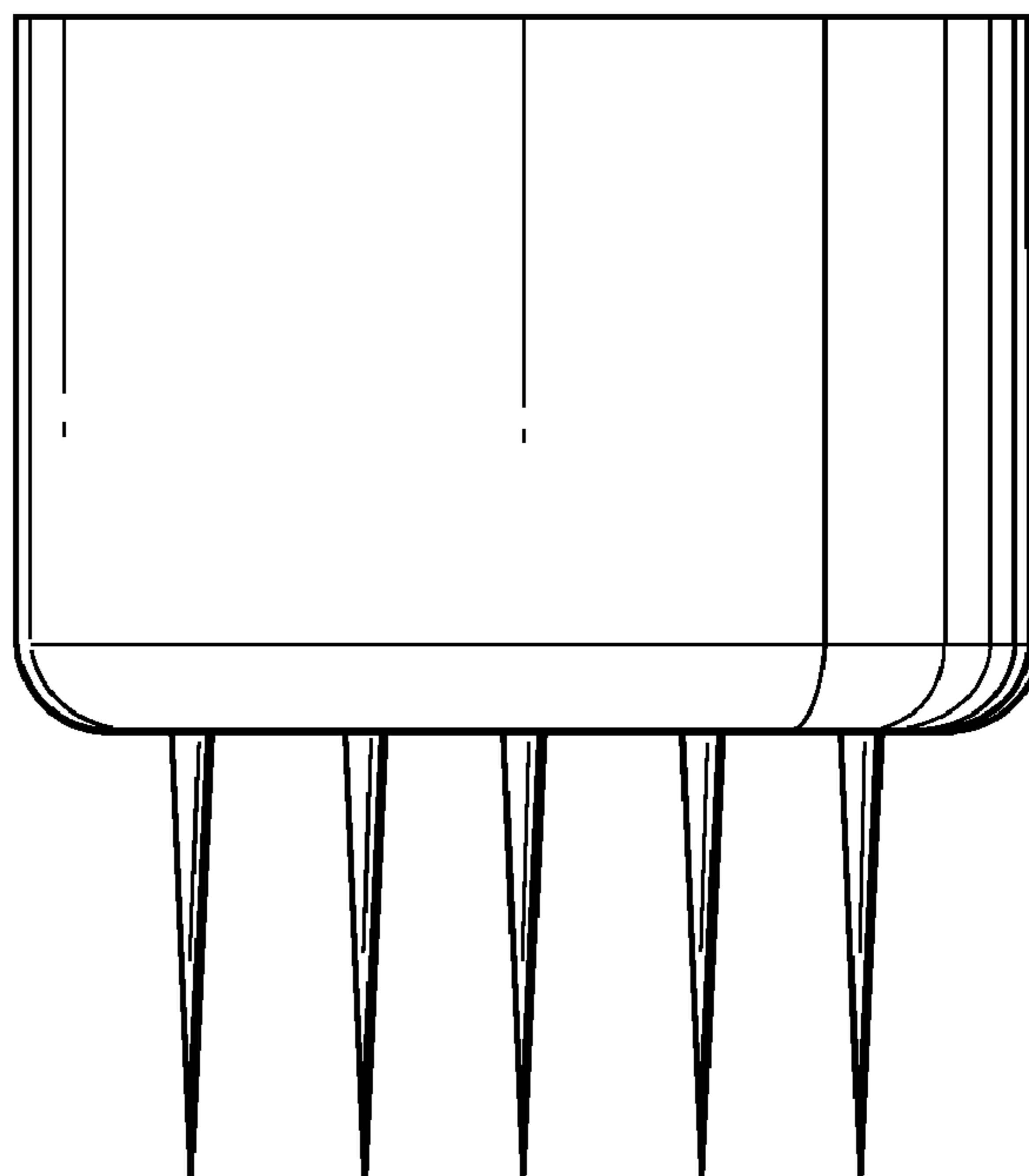


Fig. 5