



US00D635885S

(12) **United States Design Patent**
Humphries

(10) **Patent No.:** **US D635,885 S**

(45) **Date of Patent:** **** Apr. 12, 2011**

(54) **MAGNETIC JEWELRY CLASP**

(76) **Inventor:** **John Edward Faget Humphries**, New Orleans, LA (US)

(**) **Term:** **14 Years**

(21) **Appl. No.:** **29/357,976**

(22) **Filed:** **Mar. 19, 2010**

(51) **LOC (9) Cl.** **11-02**

(52) **U.S. Cl.** **D11/87**

(58) **Field of Classification Search** D11/200–231,
D11/87, 88, 3, 86; 24/196, 616, 625, 650,
24/114.6, 303, 658, 41.1; D8/382; 63/12,
63/18, 20, 3, 3.1, 3.2

See application file for complete search history.

(56) **References Cited**

U.S. PATENT DOCUMENTS

D87,434	S	*	7/1932	Haas	D11/200
D165,080	S	*	11/1951	Lennenberg	D11/87
2,615,227	A		10/1952	Hornik		
2,648,884	A		8/1953	Loofboro		
D170,403	S	*	9/1953	De Saint Germain	D11/6
2,956,324	A		10/1960	Klein		
3,621,690	A		11/1971	Whitcomb		
3,974,545	A	*	8/1976	Lossini	24/116 R
D264,828	S	*	6/1982	Gray	D11/87
D307,730	S	*	5/1990	Foster	D11/200
D325,546	S		4/1992	Collier		
5,664,298	A		9/1997	Nessar-Ivanovie		
5,701,640	A	*	12/1997	Locher	24/303
6,591,462	B2	*	7/2003	Fuhrman	24/303
6,598,271	B2		7/2003	Nire		
6,640,398	B2		11/2003	Hoffman		
D500,459	S	*	1/2005	Phlippeau	D11/200

D514,474	S	*	2/2006	Neri	D11/200
7,152,282	B2		12/2006	Costa		
7,334,433	B1		2/2008	Fuhrman et al.		
D622,128	S	*	8/2010	Laurenza	D11/87
2003/0229974	A1	*	12/2003	Zemer et al.	24/303

* cited by examiner

Primary Examiner — Cathron C Brooks

Assistant Examiner — Melanie Levy

(74) *Attorney, Agent, or Firm* — Amster, Rothstein & Ebenstein, LLP

(57) **CLAIM**

The ornamental design for a magnetic jewelry clasp, as shown and described.

DESCRIPTION

FIG. 1 is a top, front perspective view of the magnetic jewelry clasp with a portion of unclaimed environmental structure shown;

FIG. 2 is a bottom, front perspective view thereof;

FIG. 3 is a front view thereof;

FIG. 4 is a top, front perspective view thereof, but in a closed position;

FIG. 5 is a side view thereof, shown without the unclaimed structure;

FIG. 6 is the opposite side view of the clasp of FIG. 5;

FIG. 7 is a front view of the clasp of FIG. 5;

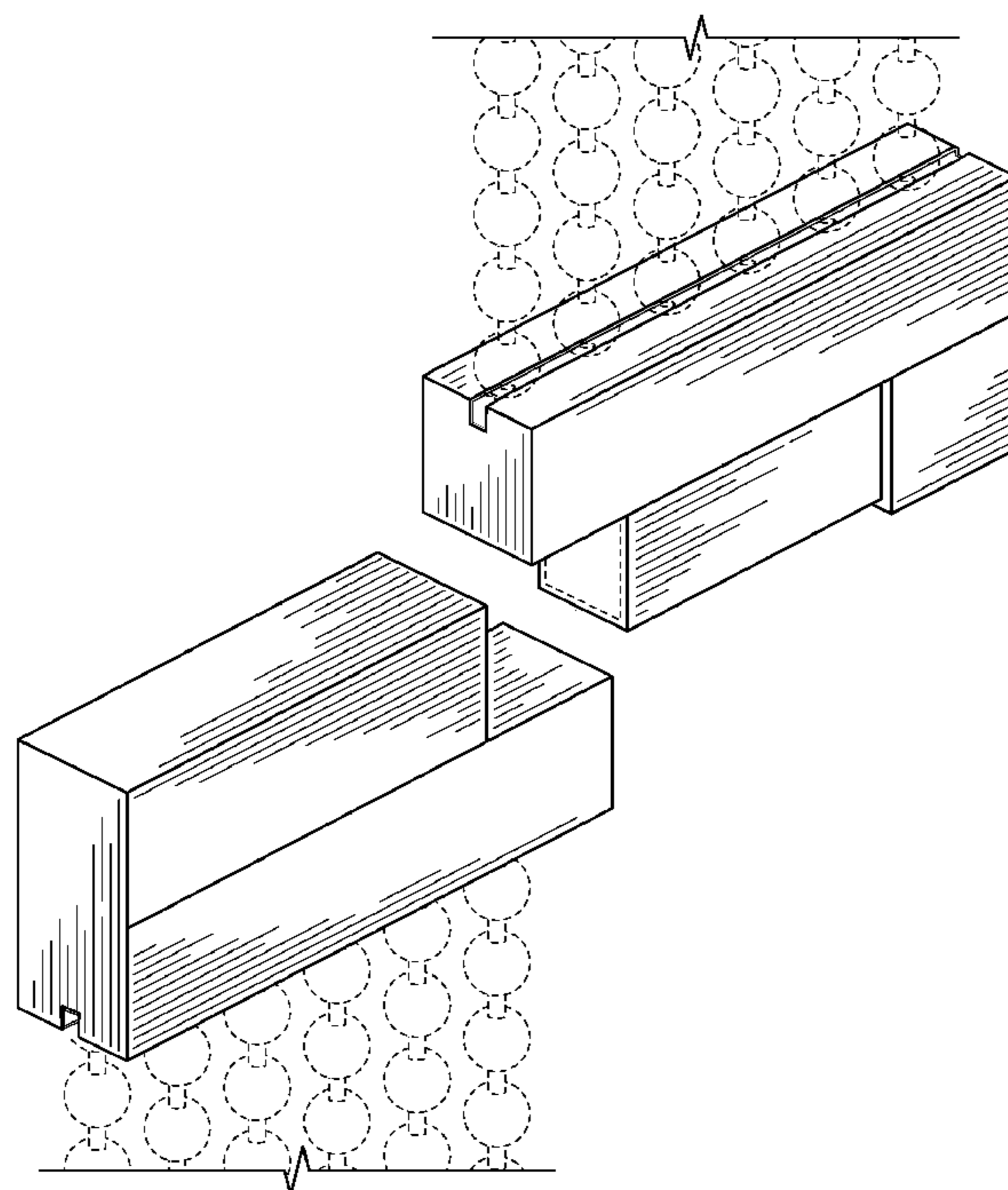
FIG. 8 is a rear view of the clasp of FIG. 5;

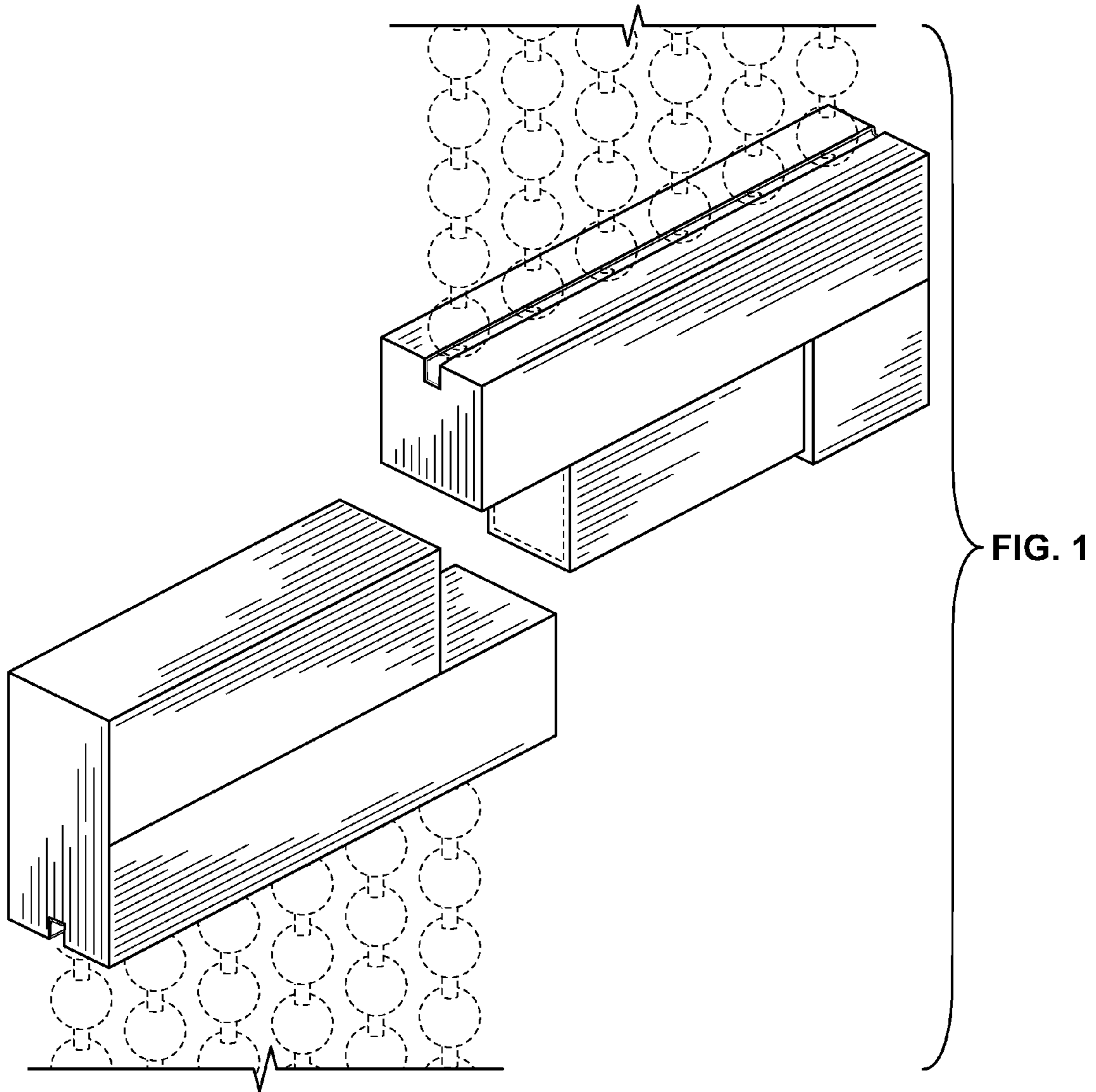
FIG. 9 is a top view of the clasp of FIG. 5; and,

FIG. 10 is a bottom view of the clasp of FIG. 5.

The broken lines shown in the drawings represent environmental structure and unclaimed portions of the magnetic jewelry clasp and form no part of the claimed design.

1 Claim, 5 Drawing Sheets





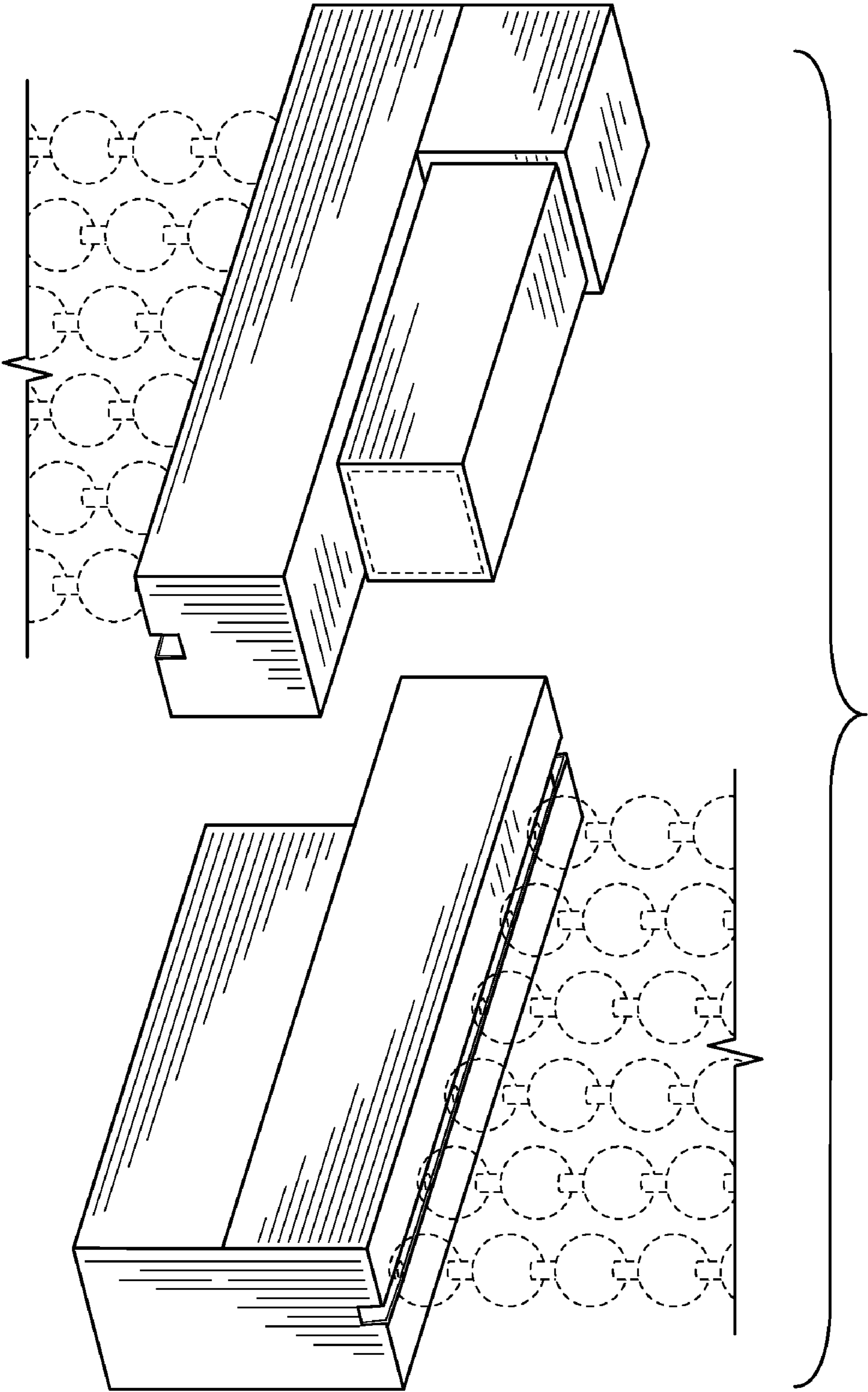


FIG. 2

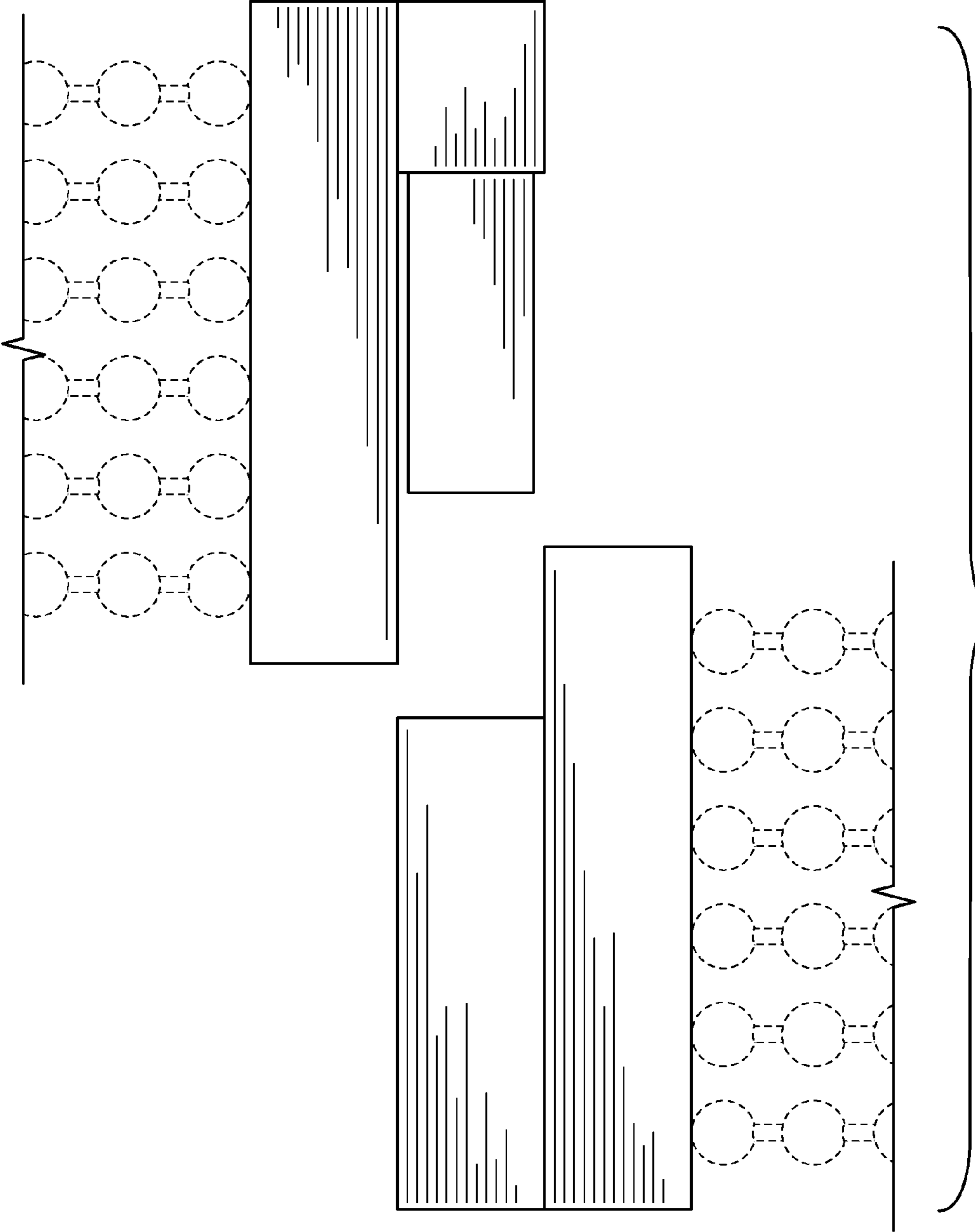


FIG. 3

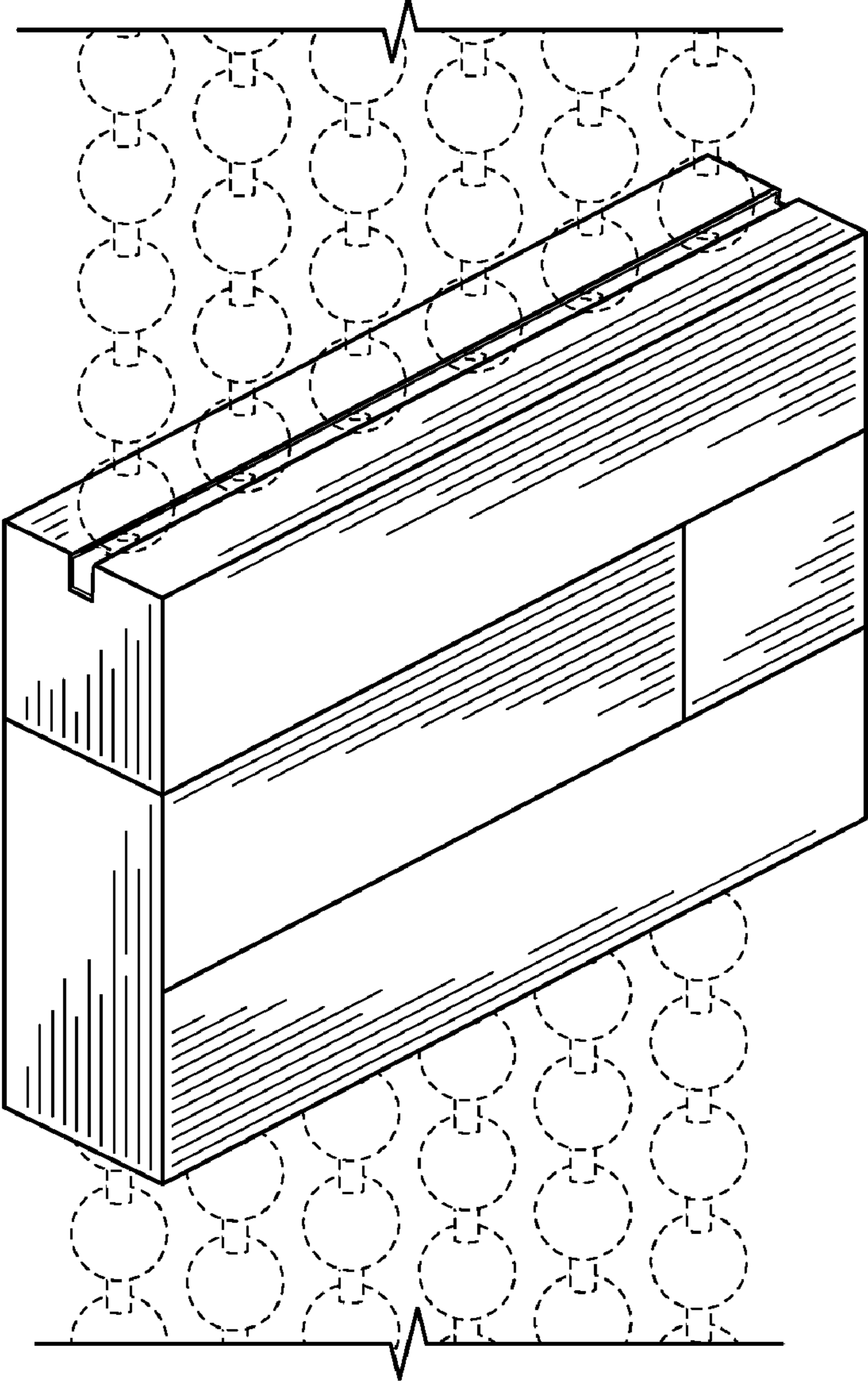


FIG. 4

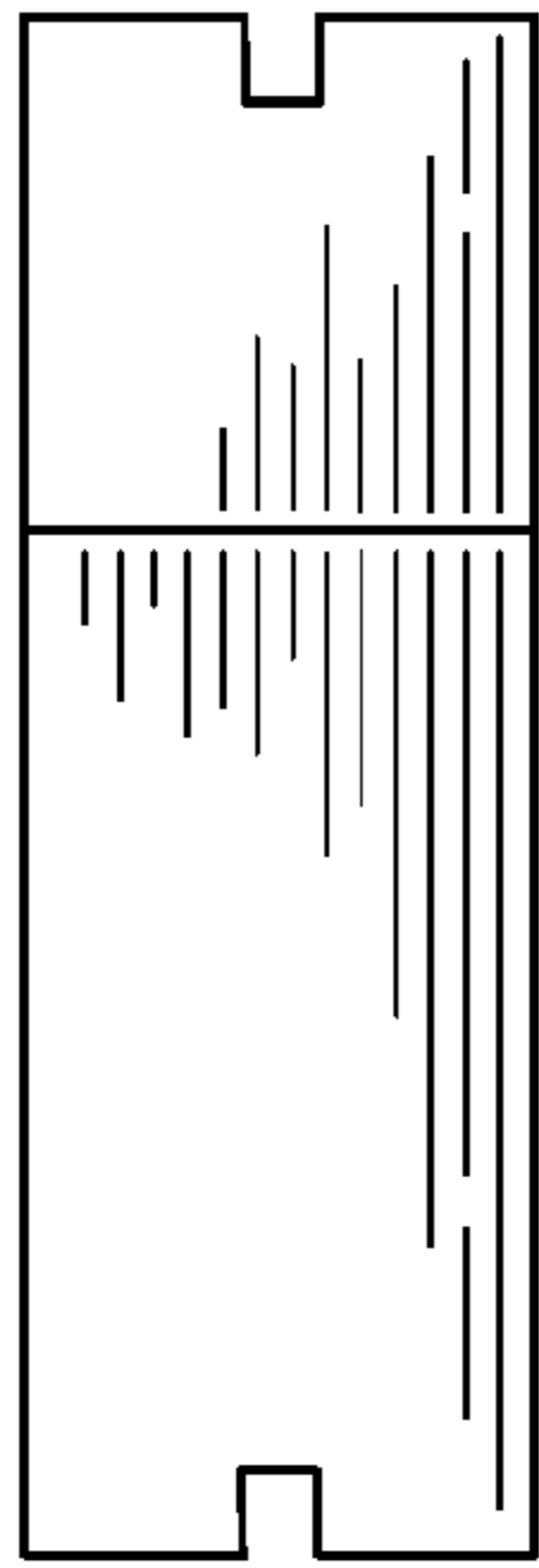


FIG. 5

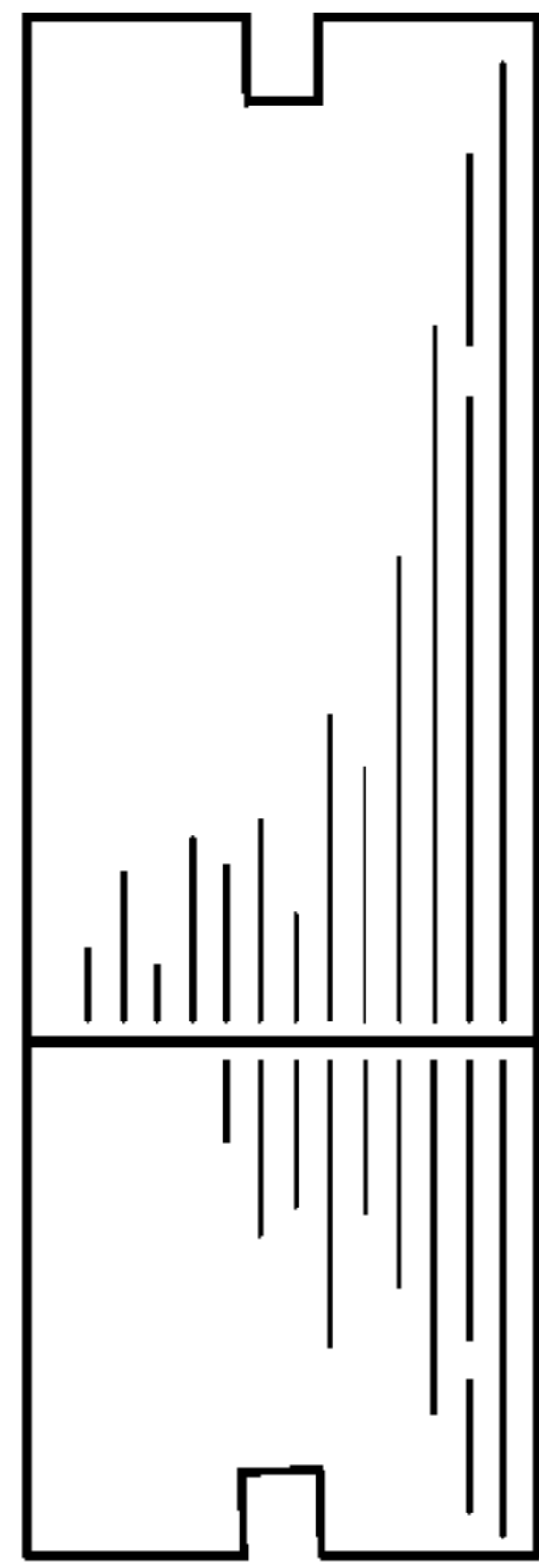


FIG. 6

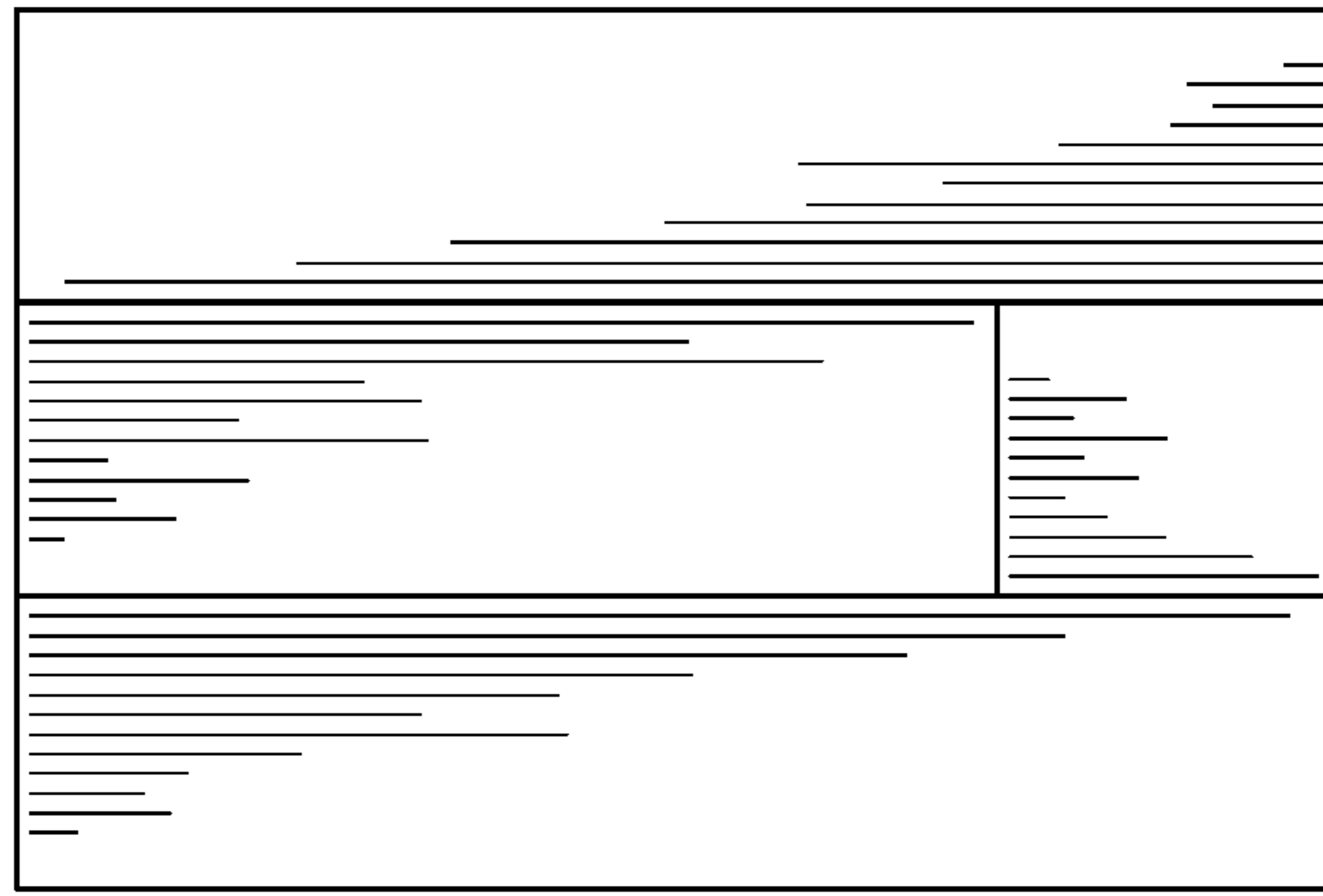


FIG. 7

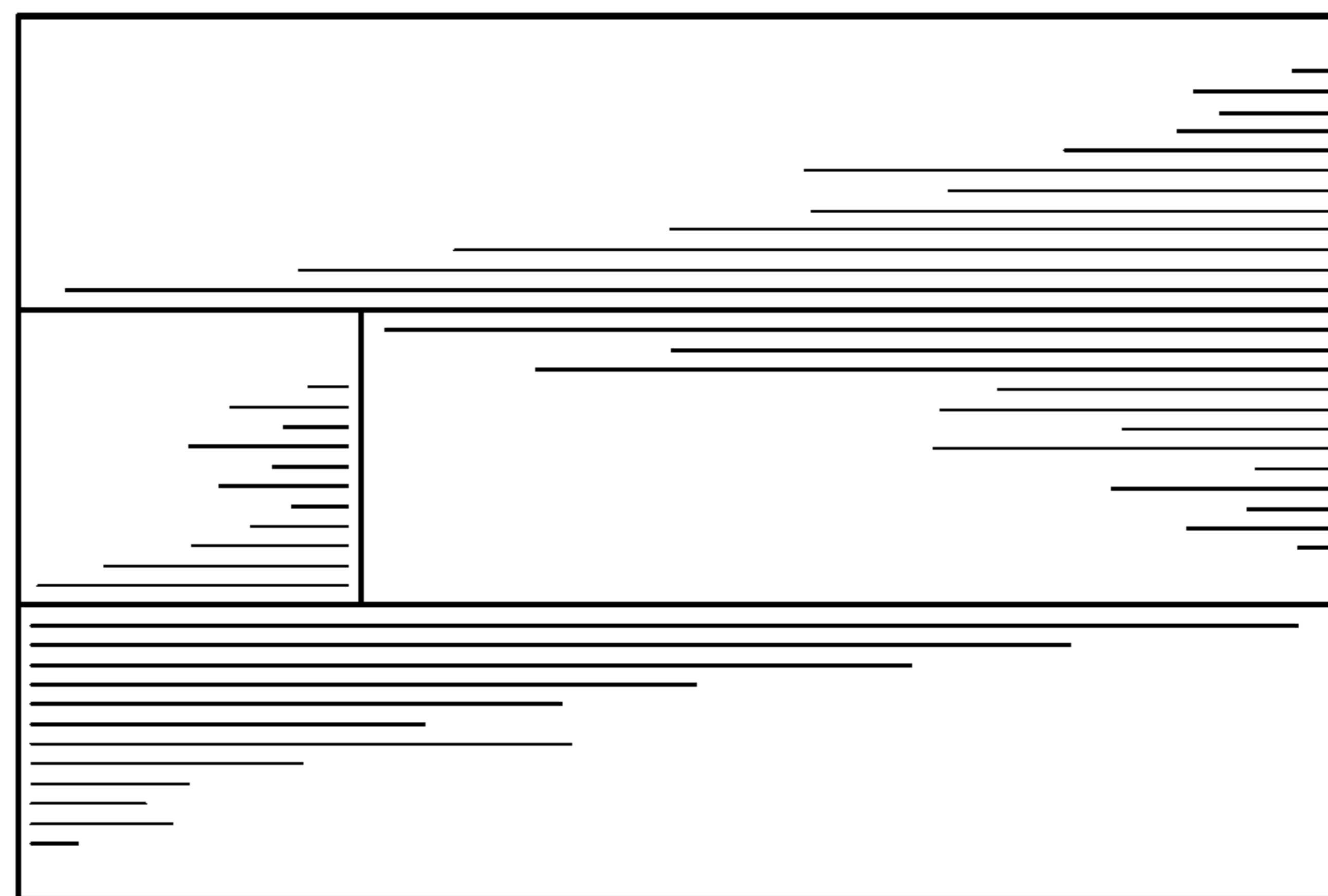


FIG. 8

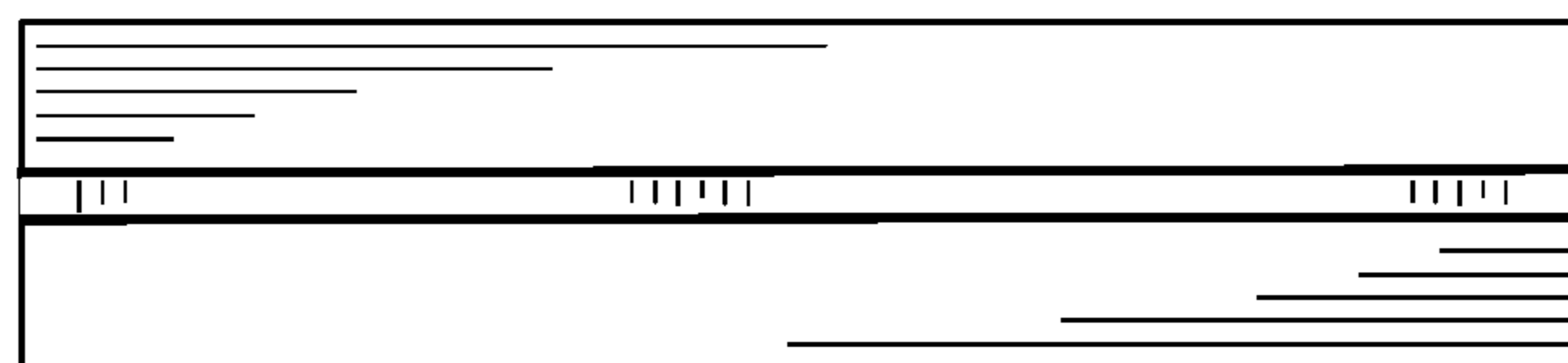


FIG. 9

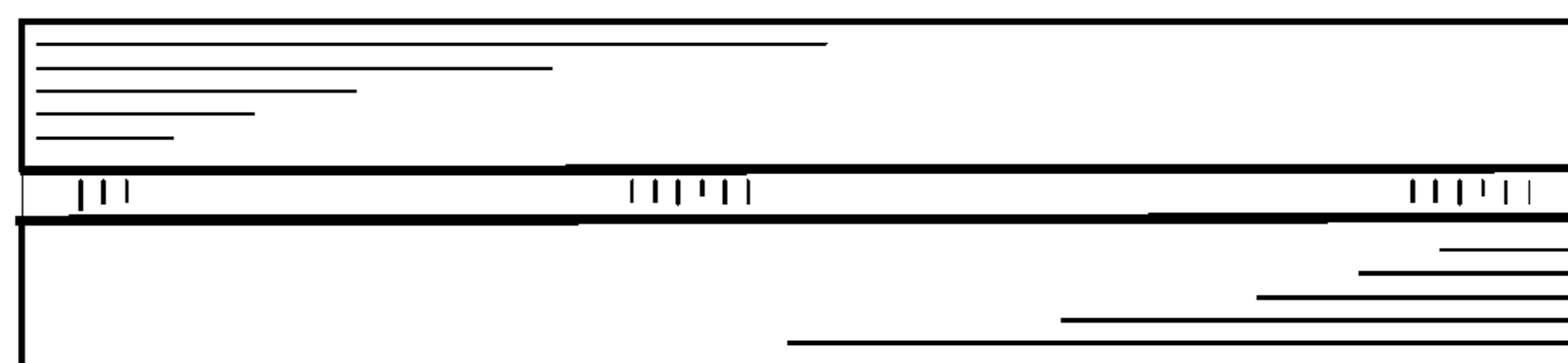


FIG. 10