



US00D635880S

(12) **United States Design Patent**
Gaspard

(10) **Patent No.:** **US D635,880 S**

(45) **Date of Patent:** **** Apr. 12, 2011**

(54) **RING**

(75) Inventor: **Caroline Gaspard**, Onnaing (FR)

(73) Assignee: **Akillis**, Onnaing (FR)

(**) Term: **14 Years**

(21) Appl. No.: **29/380,951**

(22) Filed: **Dec. 14, 2010**

(30) **Foreign Application Priority Data**

Jun. 18, 2010 (WO) DM/073 783

(51) **LOC (9) Cl.** **11-01**

(52) **U.S. Cl.** **D11/27; D11/30**

(58) **Field of Classification Search** D11/26-39,
D11/67, 89-92, 3, 4, 5; 63/15, 15.1, 15.2,
63/15.3, 15.4, 15.45, 15.5, 15.6, 15.65, 15.7,
63/26-28; D22/116
See application file for complete search history.

(56) **References Cited**

U.S. PATENT DOCUMENTS

- 1,286,610 A * 12/1918 Harriman 63/15
- D163,424 S * 5/1951 Simpson D11/27
- D244,675 S * 6/1977 Mobell D11/35
- D267,483 S * 1/1983 Wefler D11/30
- D383,996 S * 9/1997 Bulgari D11/26

- D430,814 S * 9/2000 Lauper D11/26
- D505,633 S * 5/2005 Hardy D11/26
- D564,666 S * 3/2008 Klearman D24/215
- D601,710 S * 10/2009 Klearman D24/215
- D608,236 S * 1/2010 Akdemir D11/26
- D630,122 S * 1/2011 Gaspard D11/73

* cited by examiner

Primary Examiner — Cathron C Brooks

Assistant Examiner — Melanie Levy

(74) *Attorney, Agent, or Firm* — Norris McLaughlin & Marcus P.A.

(57) **CLAIM**

The ornamental design for a ring, as shown and described.

DESCRIPTION

FIG. 1 is a top front perspective view of the ring;
 FIG. 2 is a bottom, front perspective view thereof;
 FIG. 3 is a top view thereof;
 FIG. 4 is a front view thereof, the rear view being identical thereof;
 FIG. 5 is a bottom view thereof; and,
 FIG. 6 is a right side view thereof, left side view being a mirror image thereof.

The broken lines shown in the drawings represent unclaimed portions of the ring and form no part of the claimed design.

1 Claim, 3 Drawing Sheets

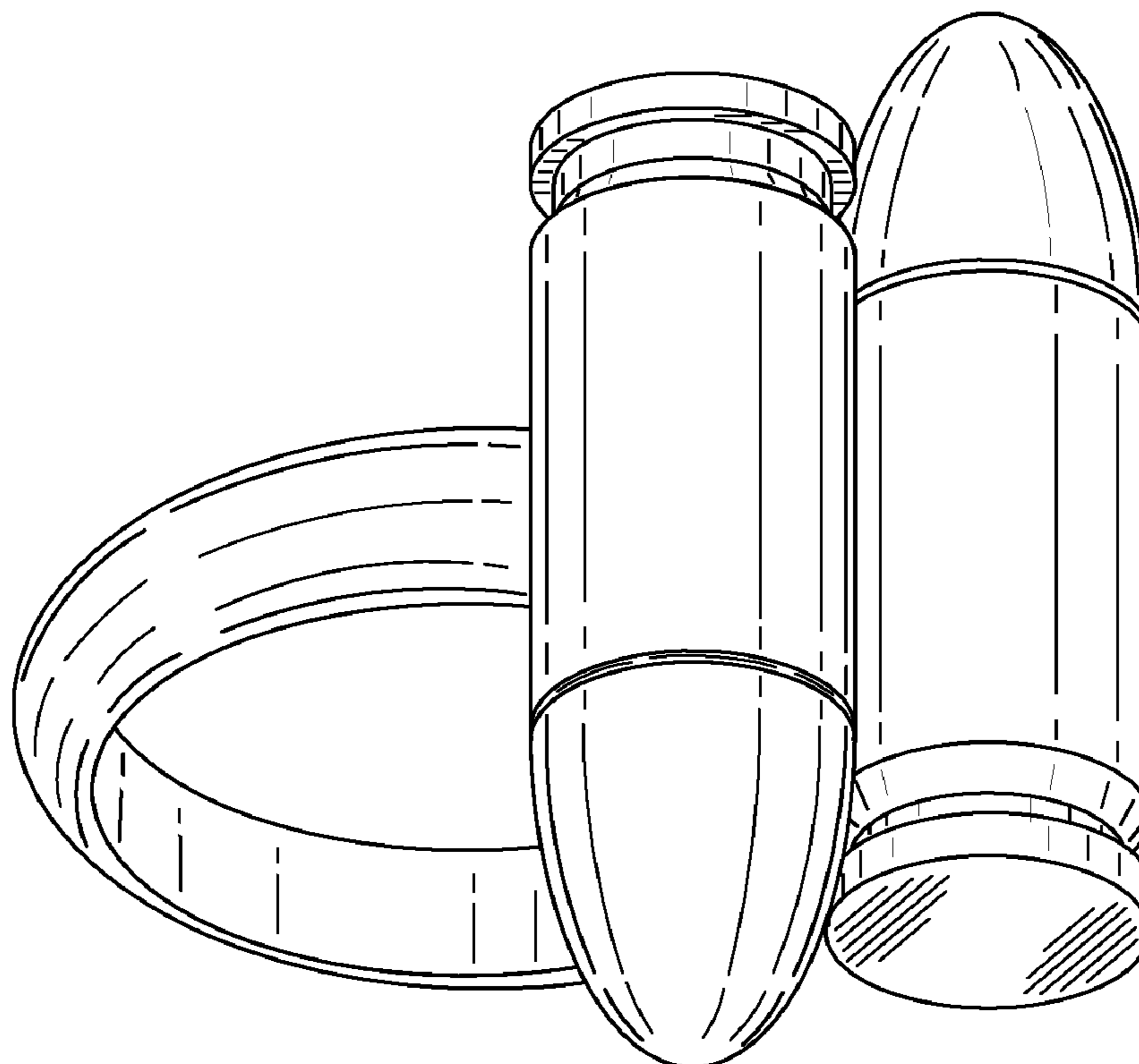


FIG. 1

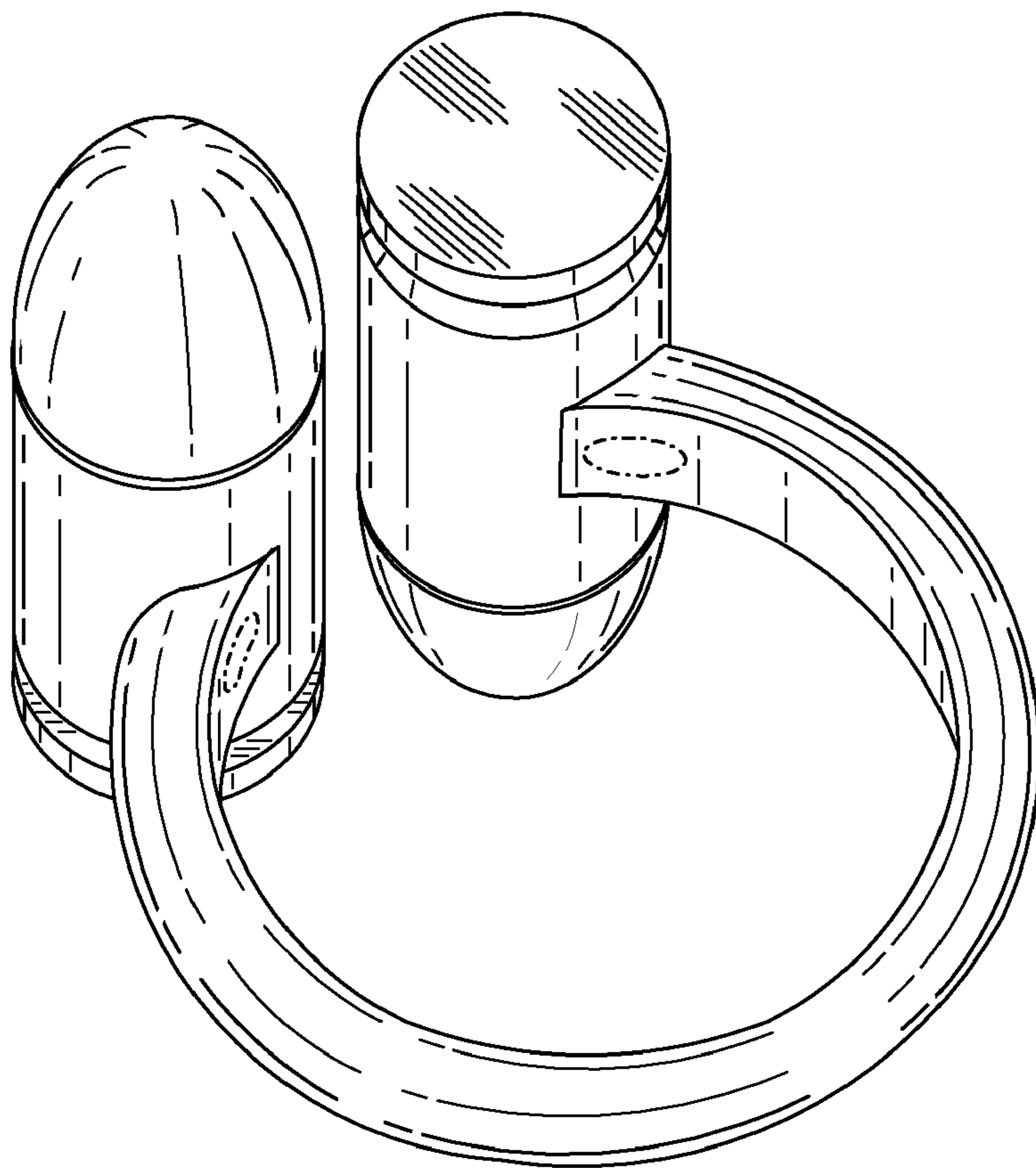
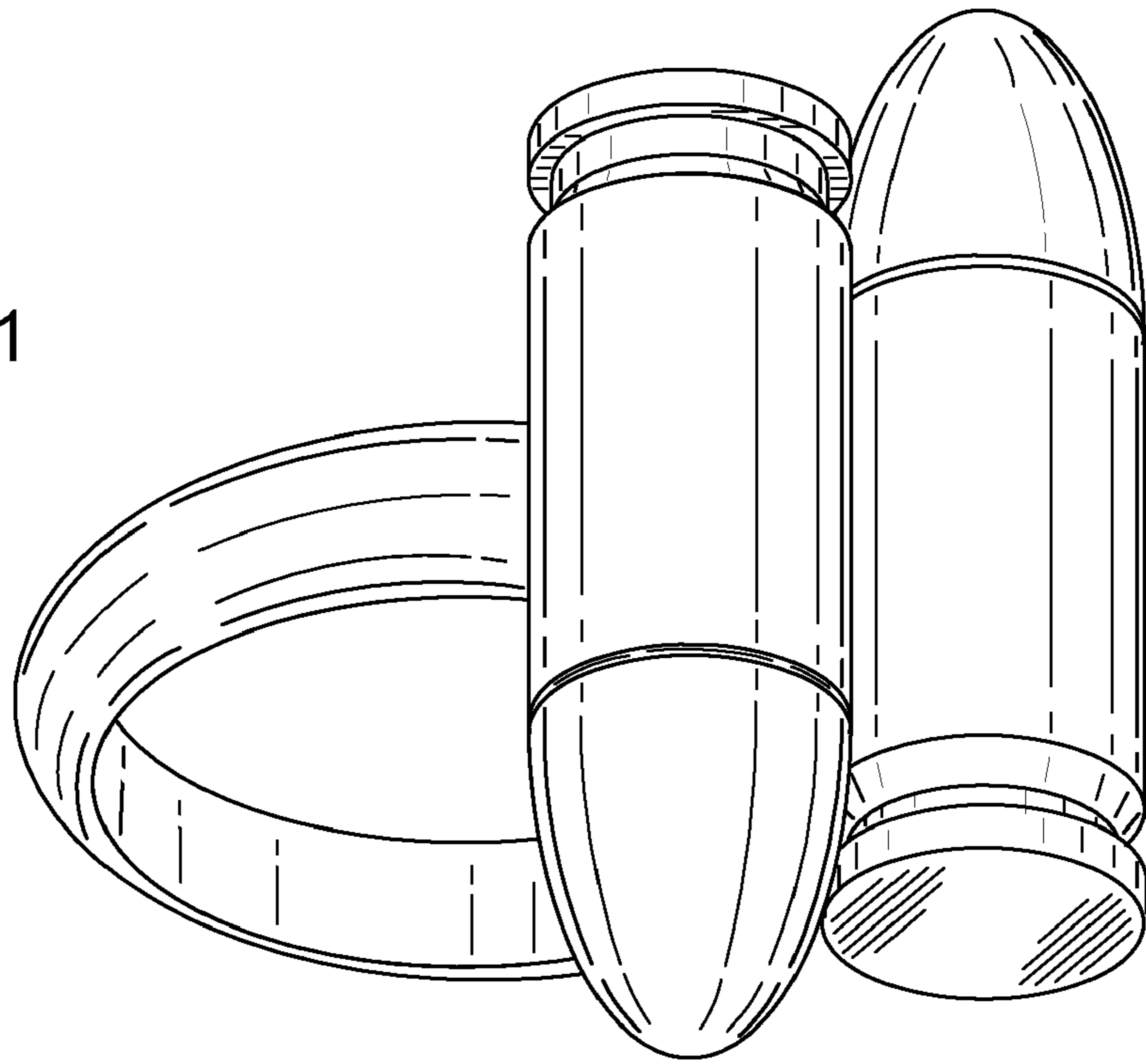


FIG. 2

FIG. 3

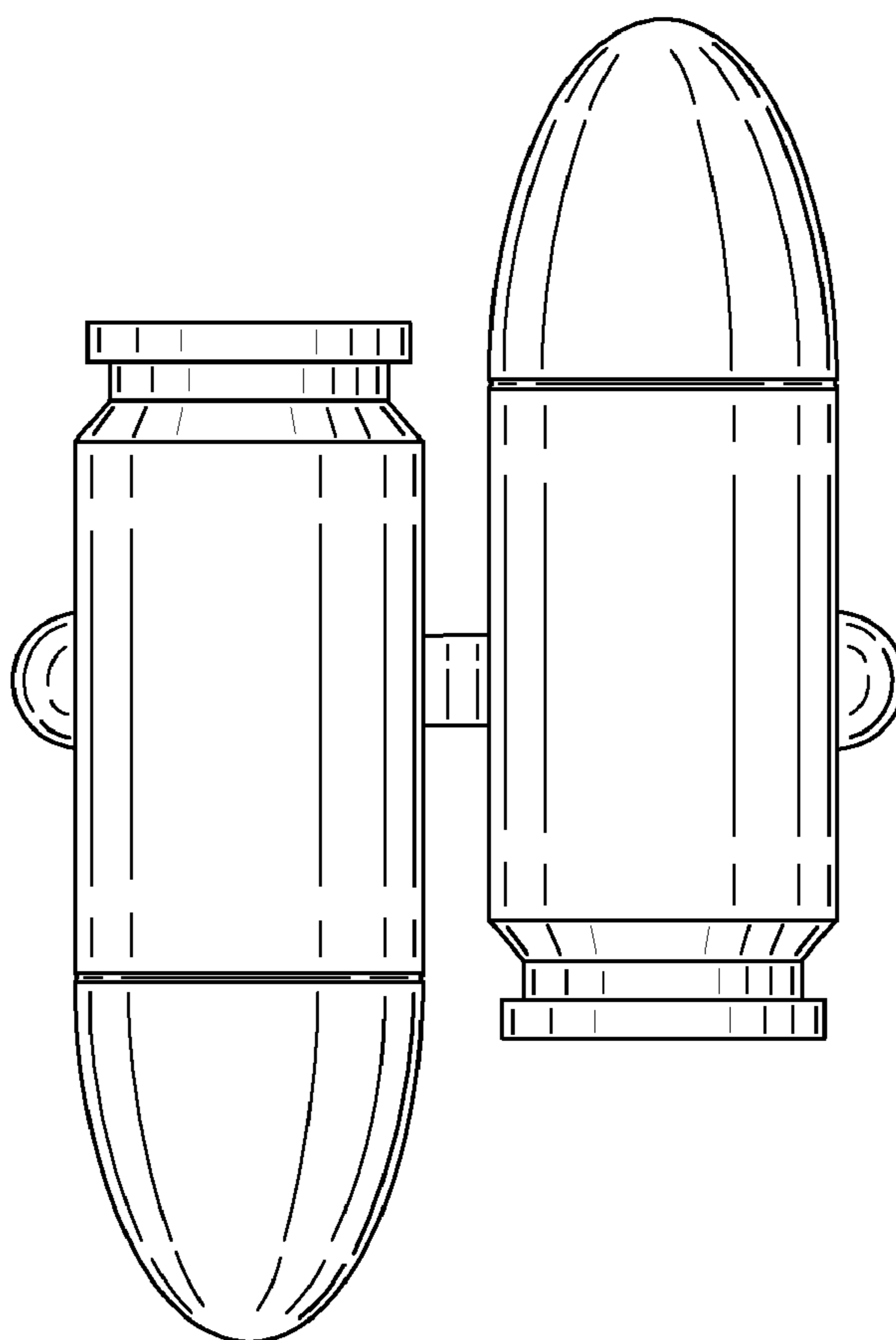


FIG. 4

