



US00D635879S

(12) **United States Design Patent**
Gaspard

(10) **Patent No.:** **US D635,879 S**

(45) **Date of Patent:** **** Apr. 12, 2011**

(54) **RING**

(75) **Inventor:** **Caroline Gaspard, Onnaing (FR)**

(73) **Assignee:** **Akillis, Onnaing (FR)**

(**) **Term:** **14 Years**

(21) **Appl. No.:** **29/380,959**

(22) **Filed:** **Dec. 14, 2010**

(30) **Foreign Application Priority Data**

Jun. 18, 2010 (WO) DM/073 783

(51) **LOC (9) Cl.** **11-01**

(52) **U.S. Cl.** **D11/26**

(58) **Field of Classification Search** D11/1,
D11/2, 3, 4, 5, 26-39, 79; 63/15, 15.1, 15.2,
63/15.3, 15.4, 15.45, 15.5, 15.6, 15.65, 15.7,
63/26-28; D3/207-211; D21/481, 480,
D21/469, 484, 500

See application file for complete search history.

(56) **References Cited**

U.S. PATENT DOCUMENTS

D140,549 S * 3/1945 Klein D4/114
D186,990 S * 1/1960 Berland D11/33
D247,881 S * 5/1978 Hitchens D11/41

D350,772 S * 9/1994 King D19/64
D412,620 S * 8/1999 Vu D6/351
D499,151 S * 11/2004 Arabian D21/480
D520,376 S * 5/2006 Nolle D9/600
D537,006 S * 2/2007 Janfar D10/126
D561,048 S * 2/2008 Weinstein D10/6
D562,176 S * 2/2008 Stowe D11/79
D611,985 S * 3/2010 Puglisi D19/42
D630,968 S * 1/2011 Gaspard D11/81

* cited by examiner

Primary Examiner — Cathron C Brooks

Assistant Examiner — Melanie Levy

(74) *Attorney, Agent, or Firm* — Norris McLaughlin & Marcus P.A.

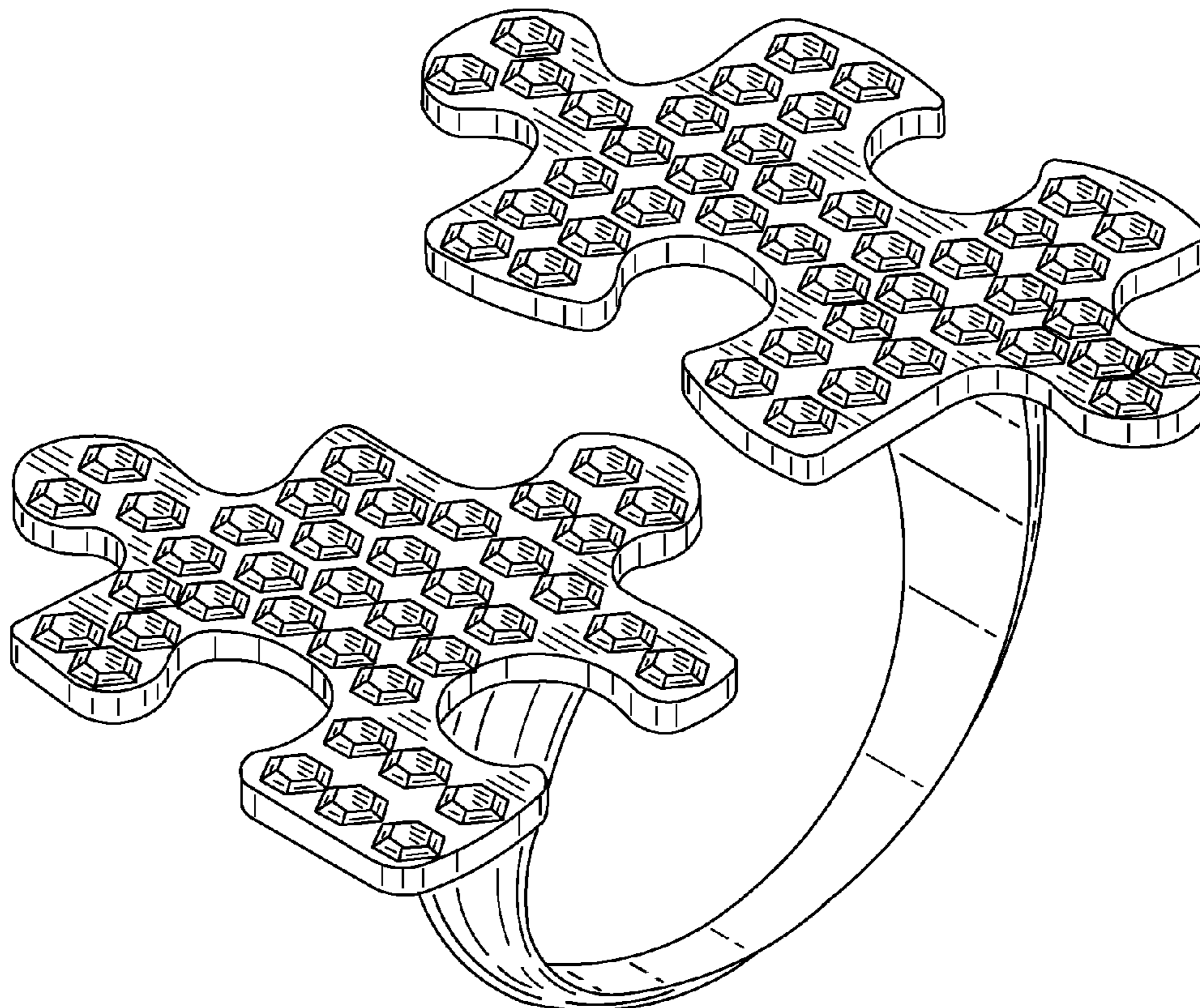
(57) **CLAIM**

The ornamental design for a ring, as shown and described.

DESCRIPTION

FIG. 1 is a top view of the ring;
FIG. 2 is a bottom view thereof;
FIG. 3 is a front view thereof;
FIG. 4 is a rear view thereof;
FIG. 5 is a right side view thereof;
FIG. 6 is a left side view thereof; and,
FIG. 7 is a perspective view thereof.
The broken lines shown in the drawings represent unclaimed portions of the ring and form no part of the claimed design.

1 Claim, 4 Drawing Sheets



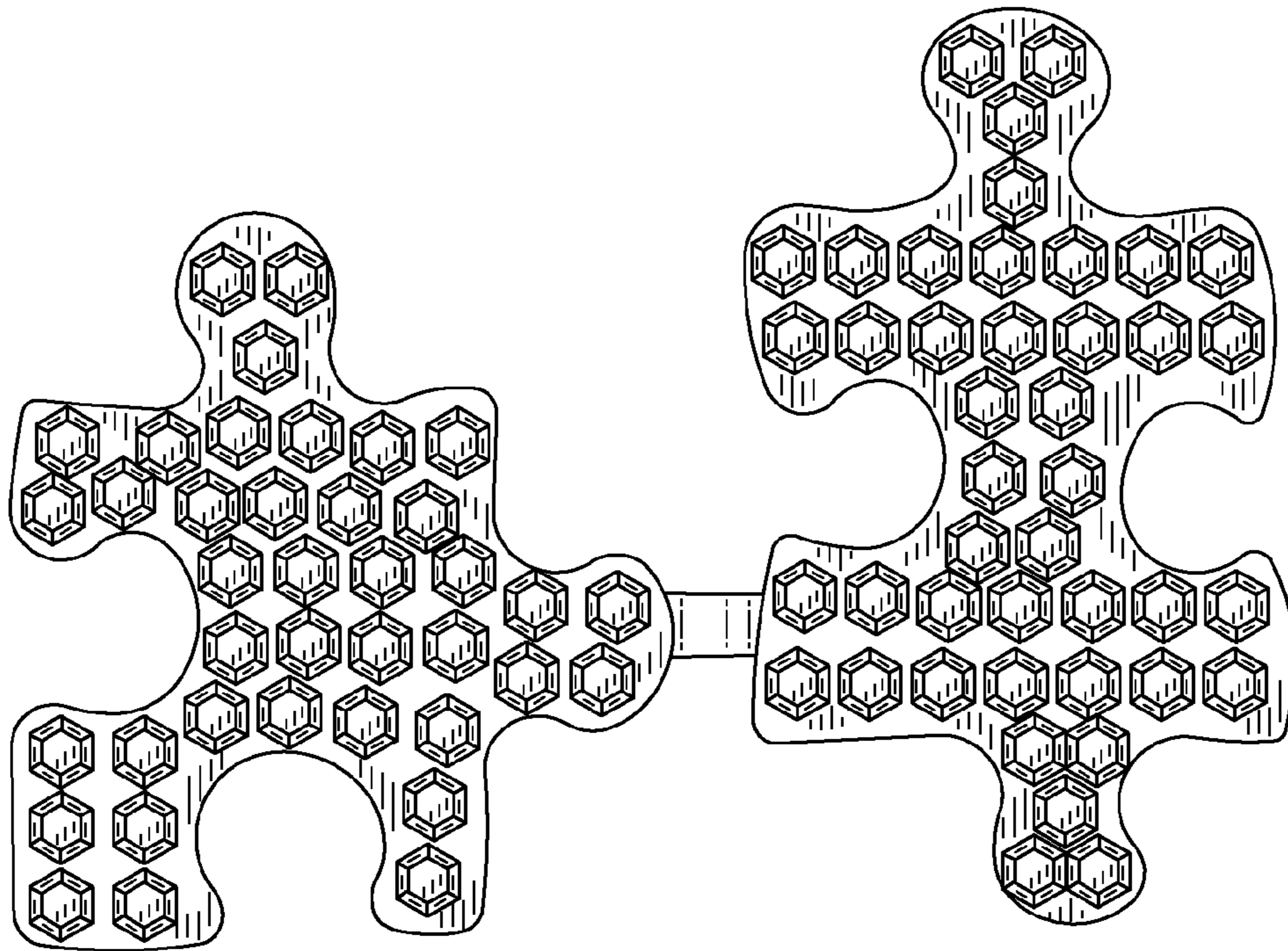


FIG. 1

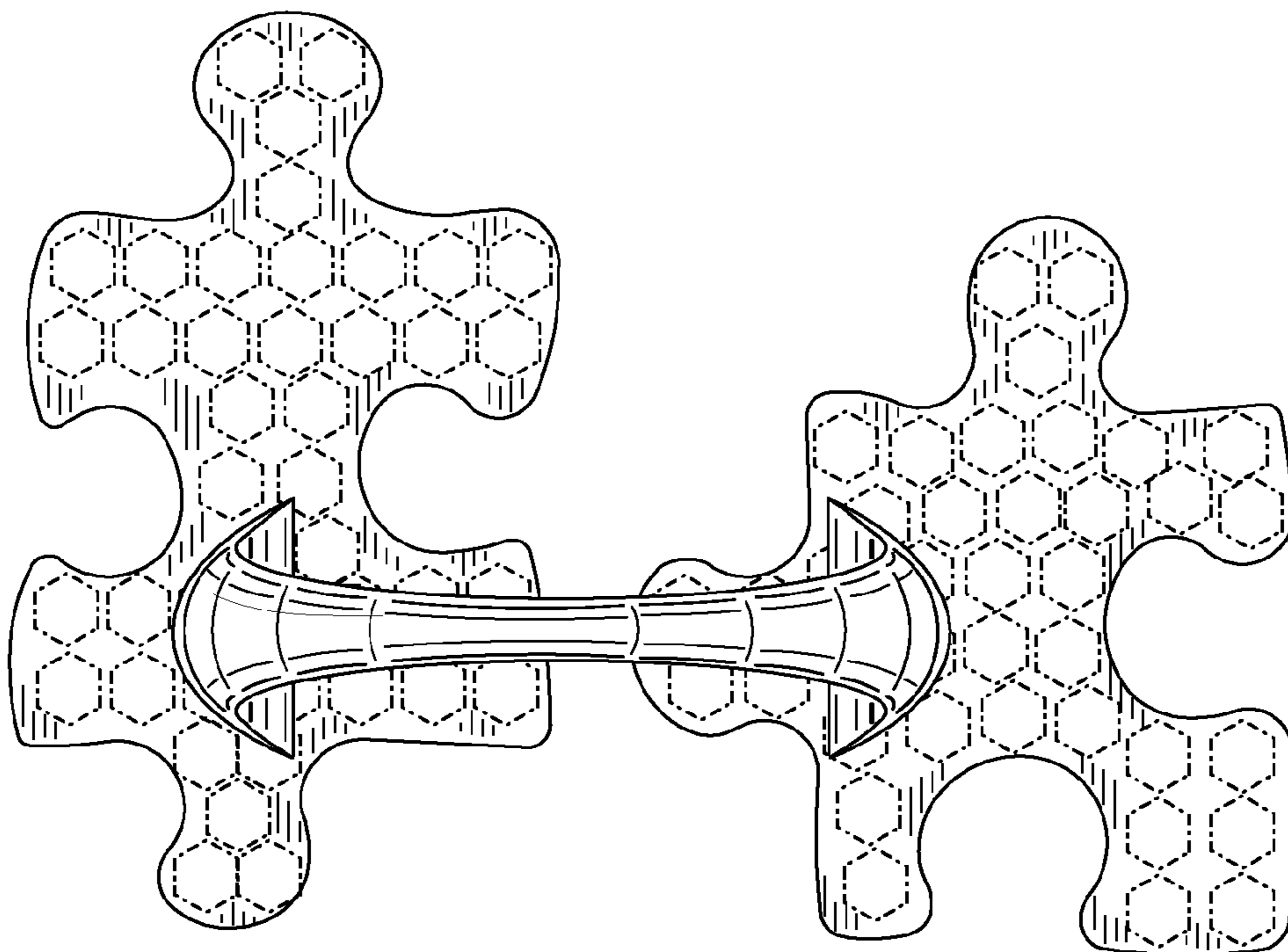


FIG. 2

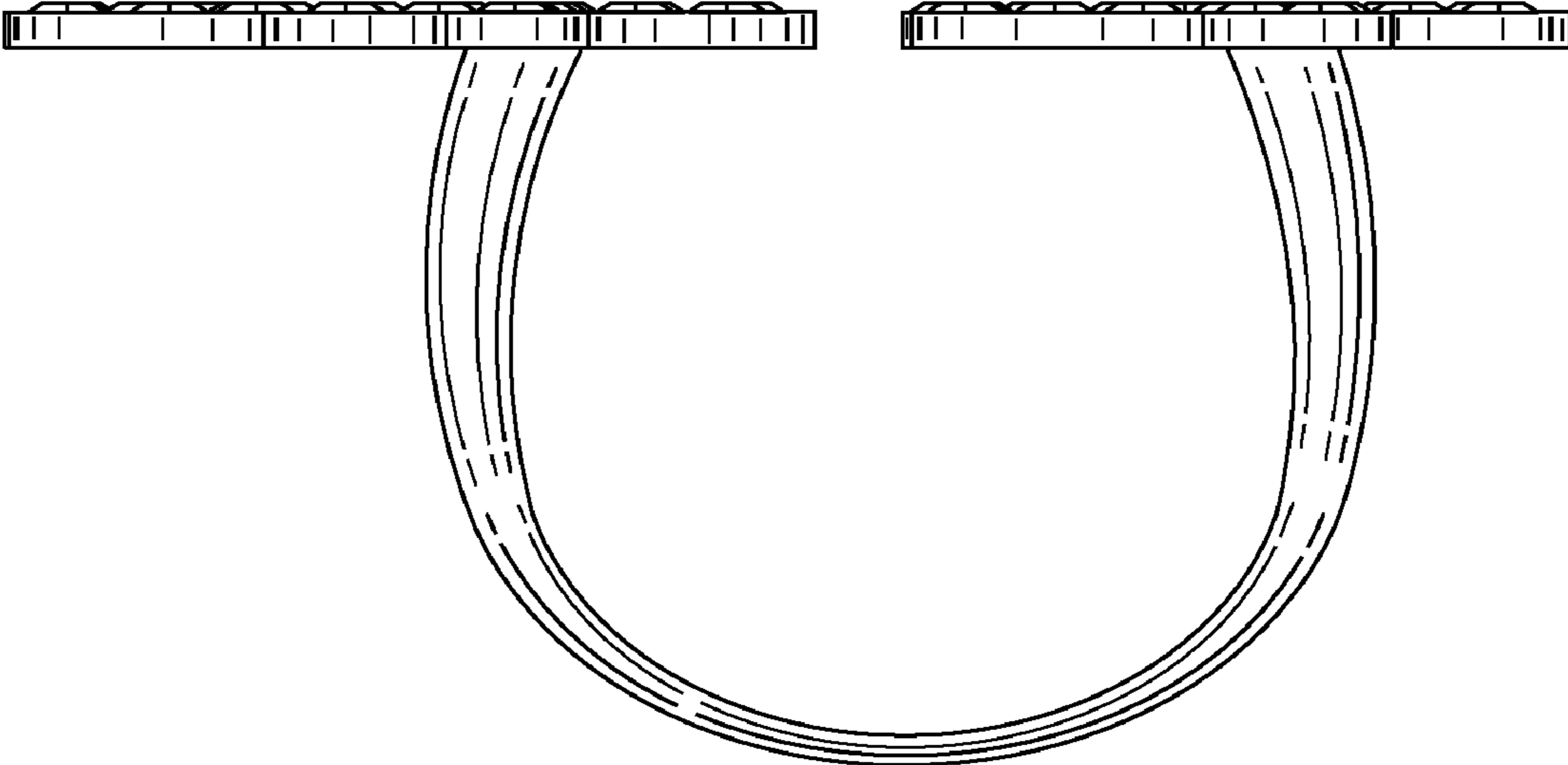


FIG. 3

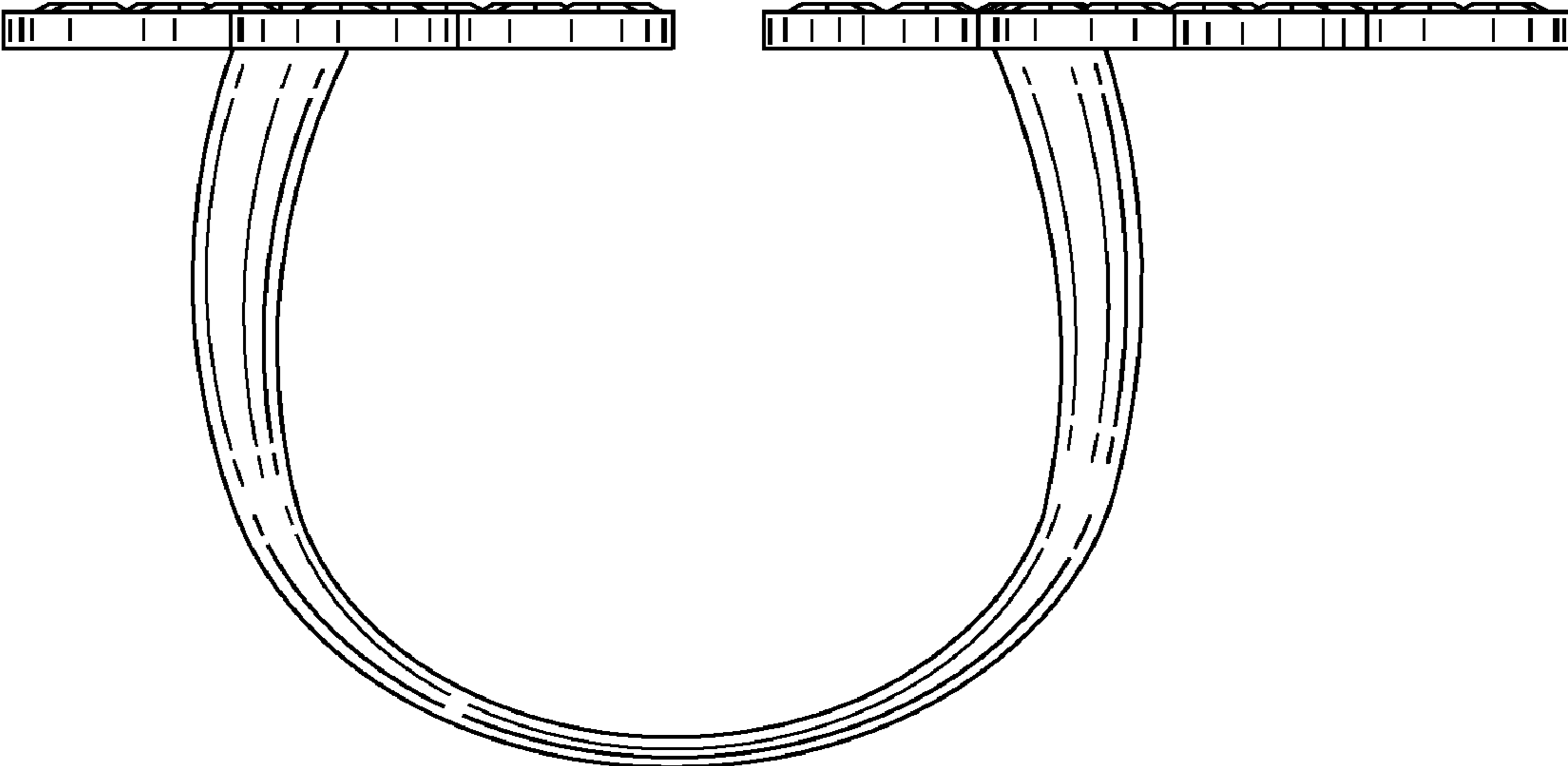


FIG. 4

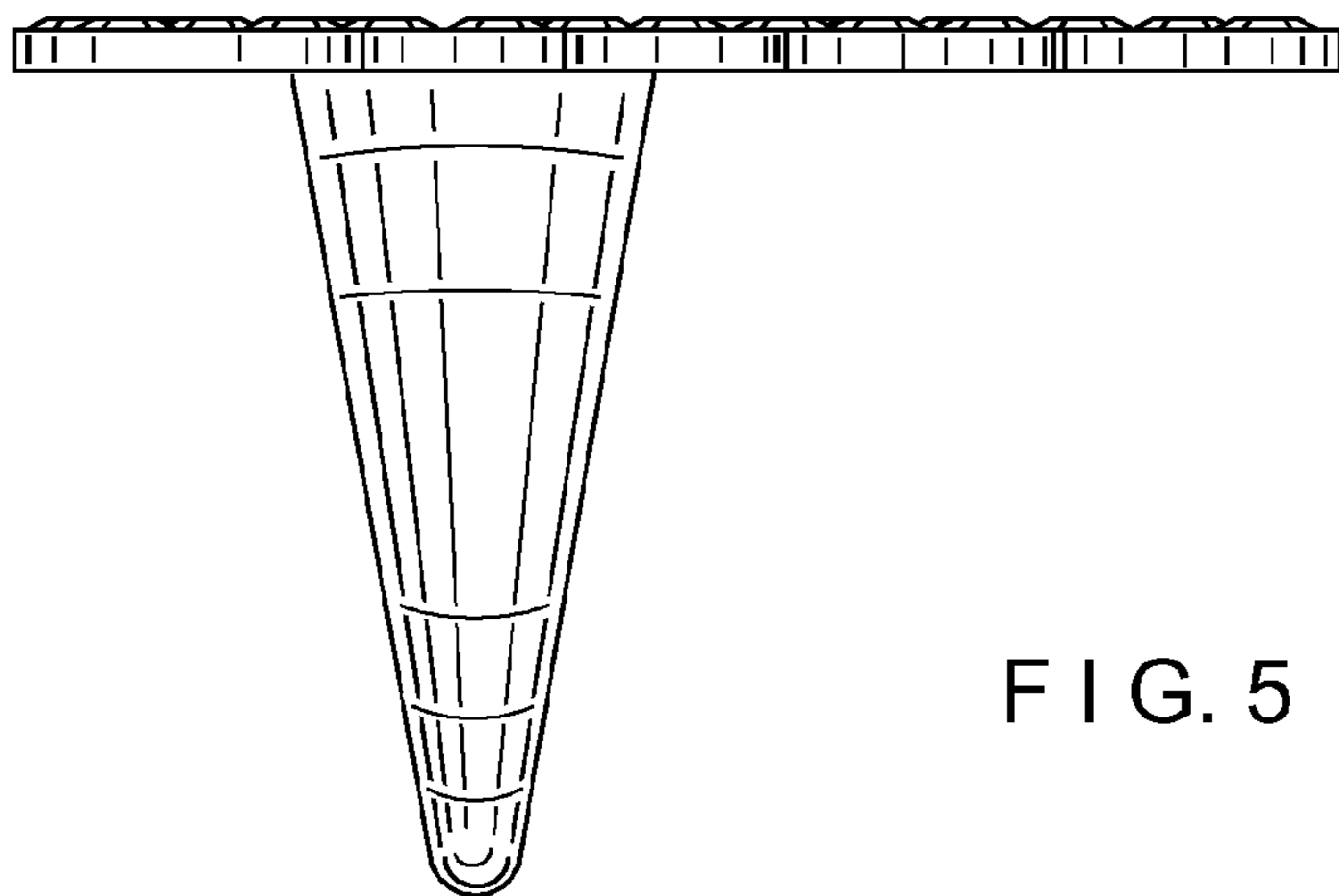


FIG. 5

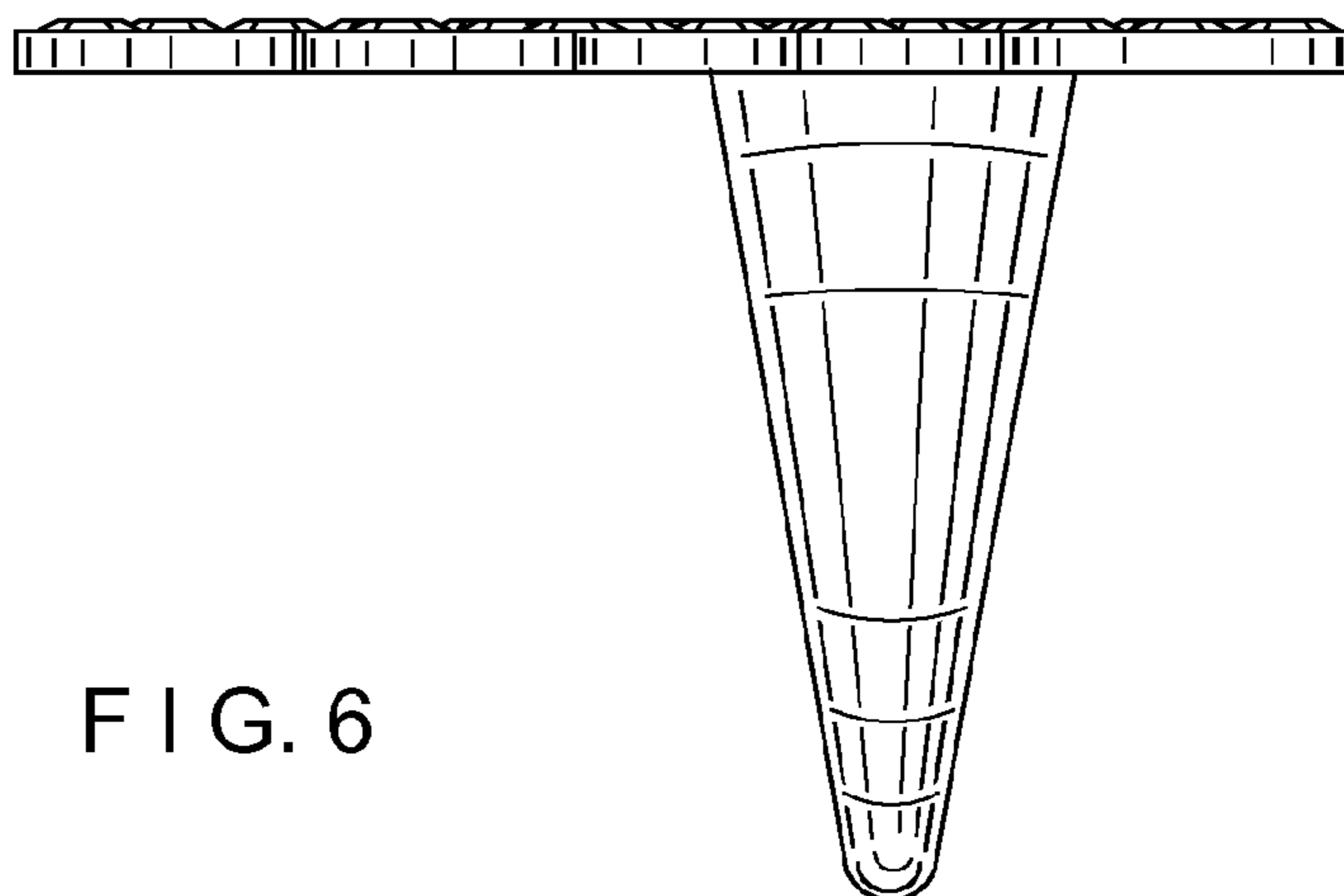


FIG. 6

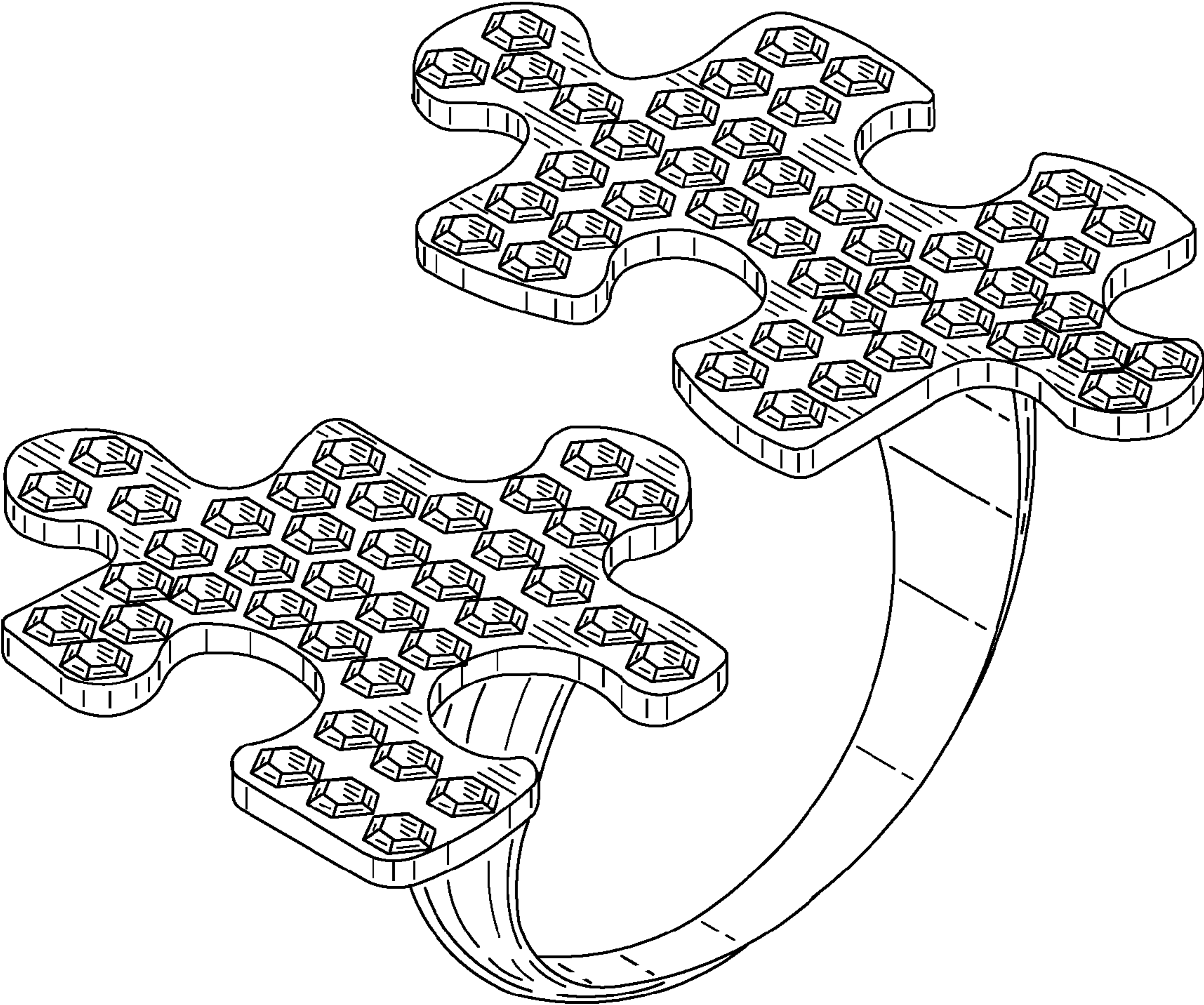


FIG. 7