



US00D635872S

(12) **United States Design Patent**
Au Yeung

(10) **Patent No.:** **US D635,872 S**

(45) **Date of Patent:** **** Apr. 12, 2011**

(54) **PEDOMETER WITH MOVABLE ID TAG**

(75) **Inventor:** **Kwok Keung Au Yeung**, New Territories (HK)

(73) **Assignee:** **Ariel Premium Supply, Inc.**, St. Louis, MO (US)

(**) **Term:** **14 Years**

(21) **Appl. No.:** **29/367,144**

(22) **Filed:** **Aug. 3, 2010**

(51) **LOC (9) Cl.** **10-04**

(52) **U.S. Cl.** **D10/70**

(58) **Field of Classification Search** D10/70;

235/105; 377/5, 24.2, 26; 73/514.33, 514.34;

702/155, 160, 176, 78, 79, 82, 91, 92-95,

702/104, 116, 141, 150, 151, 154; 324/522

See application file for complete search history.

(56) **References Cited**

U.S. PATENT DOCUMENTS

D525,889 S * 8/2006 Oas D10/70

D528,445 S * 9/2006 Au Yeung D10/70

D555,019 S * 11/2007 Au Yeung D10/70

D573,490 S * 7/2008 Au Yeung D10/70

D578,417 S * 10/2008 Au Yeung D10/70

D578,418 S * 10/2008 Au Yeung D10/70

D593,884 S * 6/2009 Wang D10/70

D595,158 S * 6/2009 Naimi et al. D10/40

D614,982 S * 5/2010 Au Yeung D10/70

* cited by examiner

Primary Examiner — Antoine D Davis

(74) *Attorney, Agent, or Firm* — Intellectual Property Law Group LLP; Juneko Jackson; Otto O. Lee

(57) **CLAIM**

The ornamental design for a pedometer with movable ID tag, as shown and described.

DESCRIPTION

FIG. 1 is a front, top, right side perspective view of a pedometer with movable ID tag embodying my new design;

FIG. 2 is a rear, bottom, left side perspective view thereof;

FIG. 3 is a front elevational view thereof;

FIG. 4 is a rear elevational view thereof;

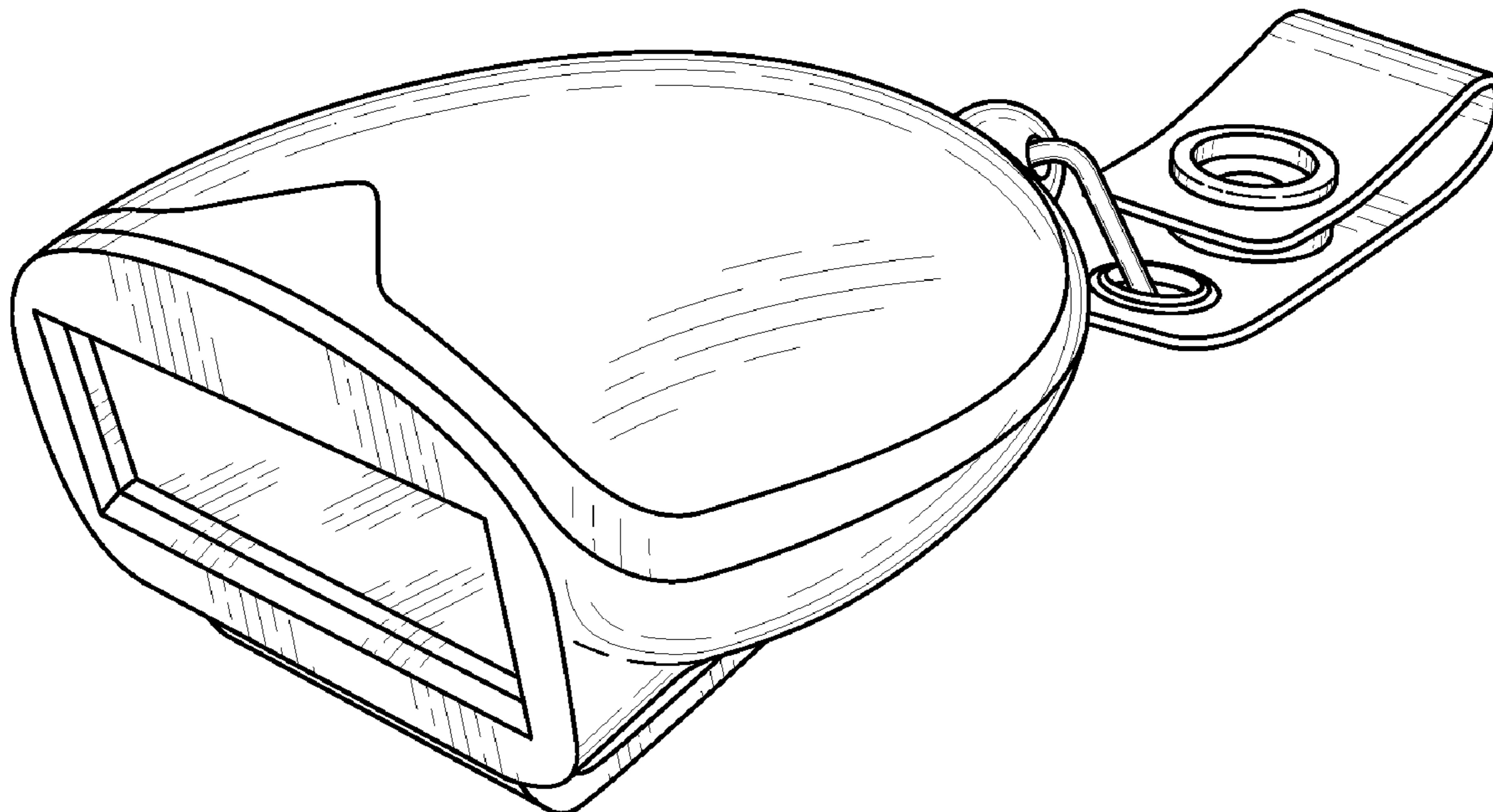
FIG. 5 is a right side elevational view thereof;

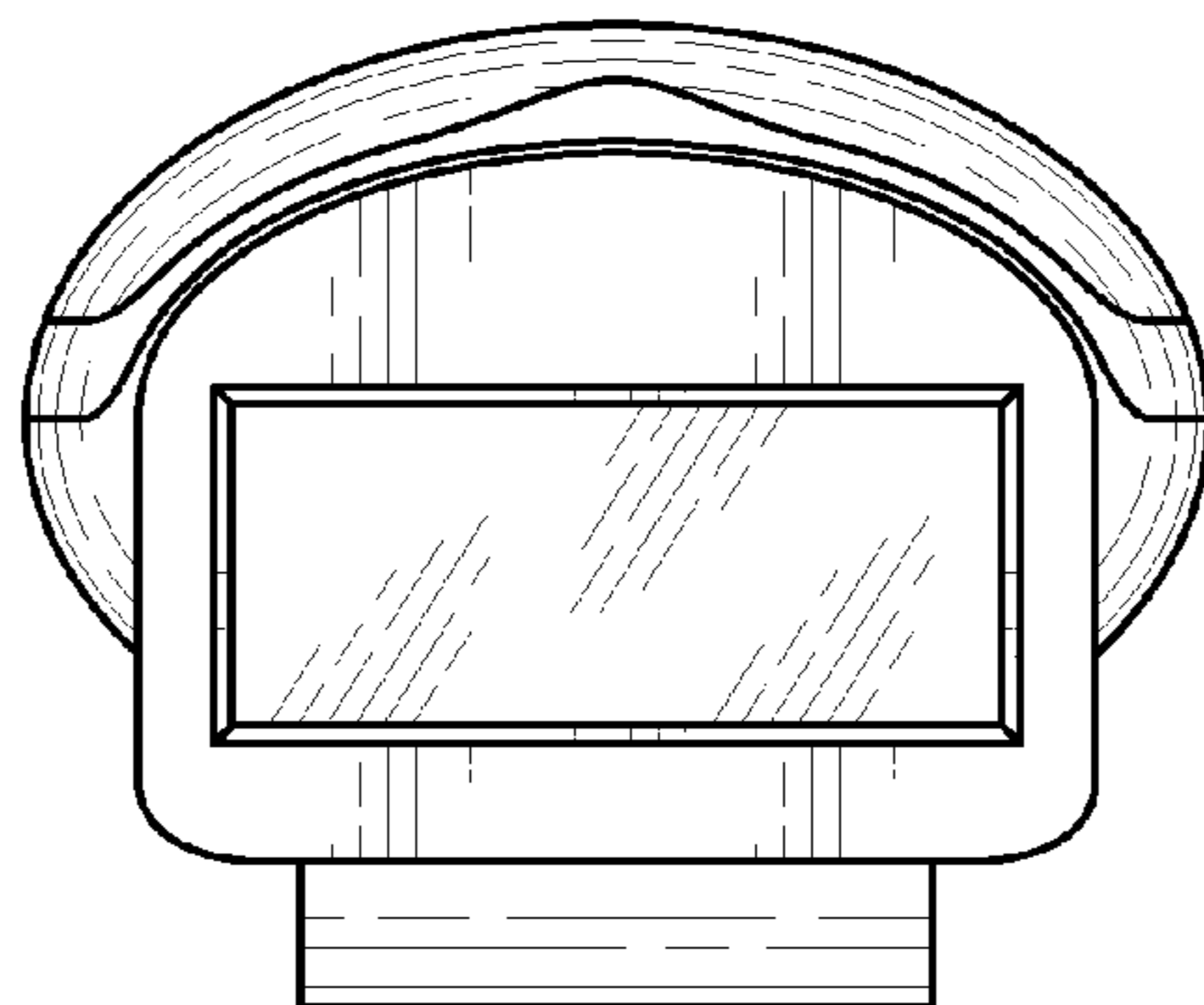
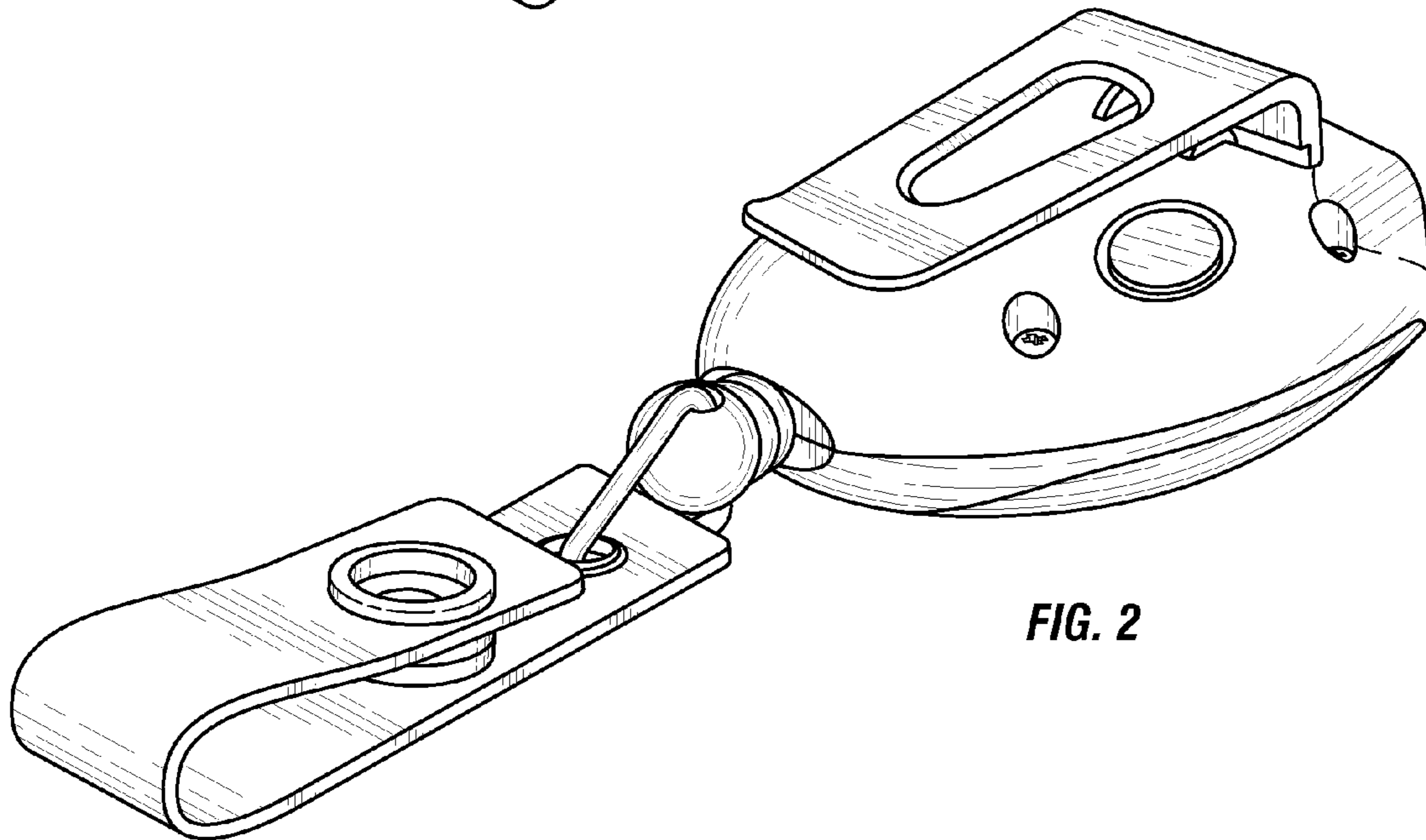
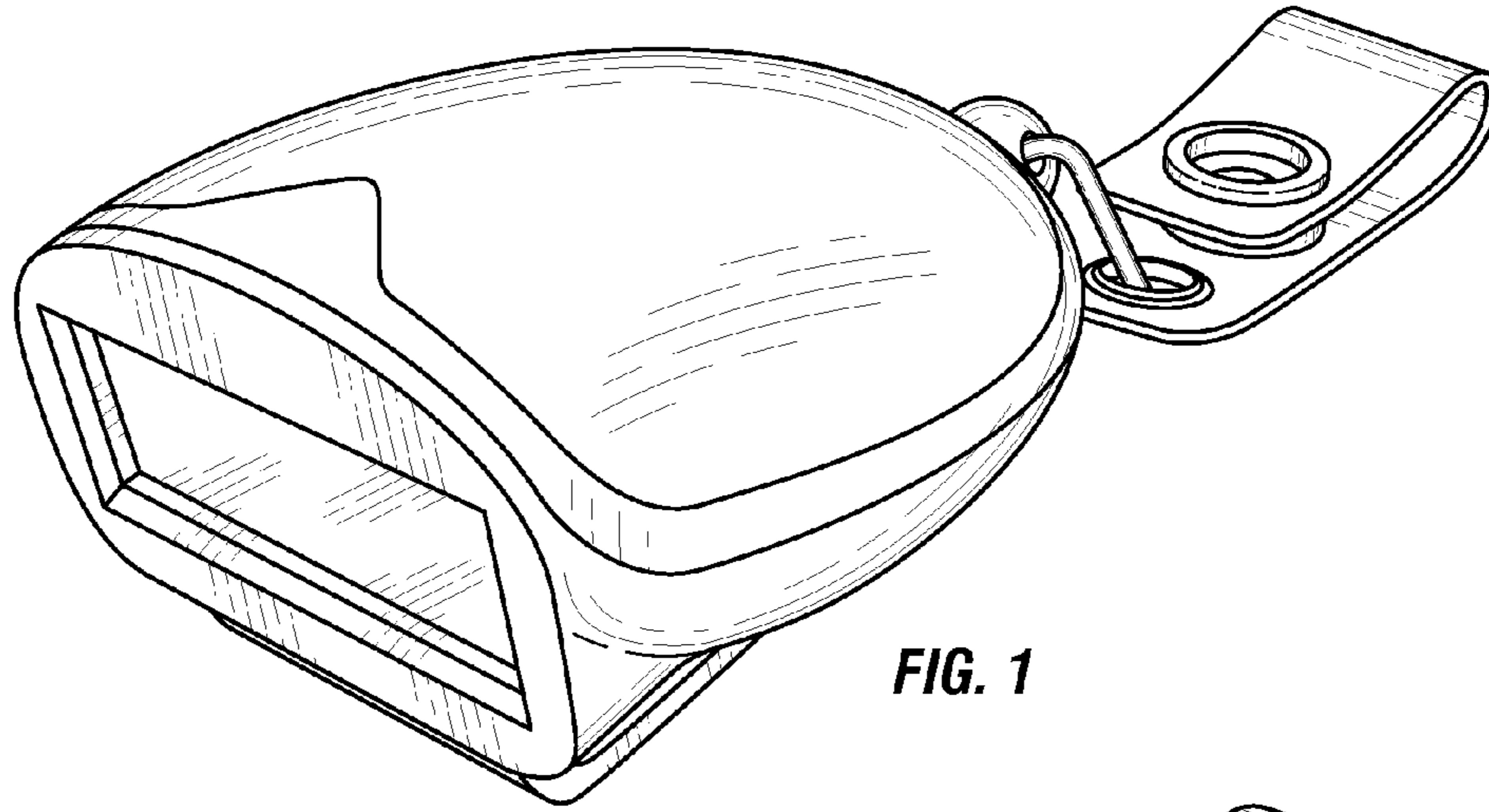
FIG. 6 is a left side elevational view thereof;

FIG. 7 is a top plan view thereof; and,

FIG. 8 is a bottom plan view thereof.

1 Claim, 3 Drawing Sheets





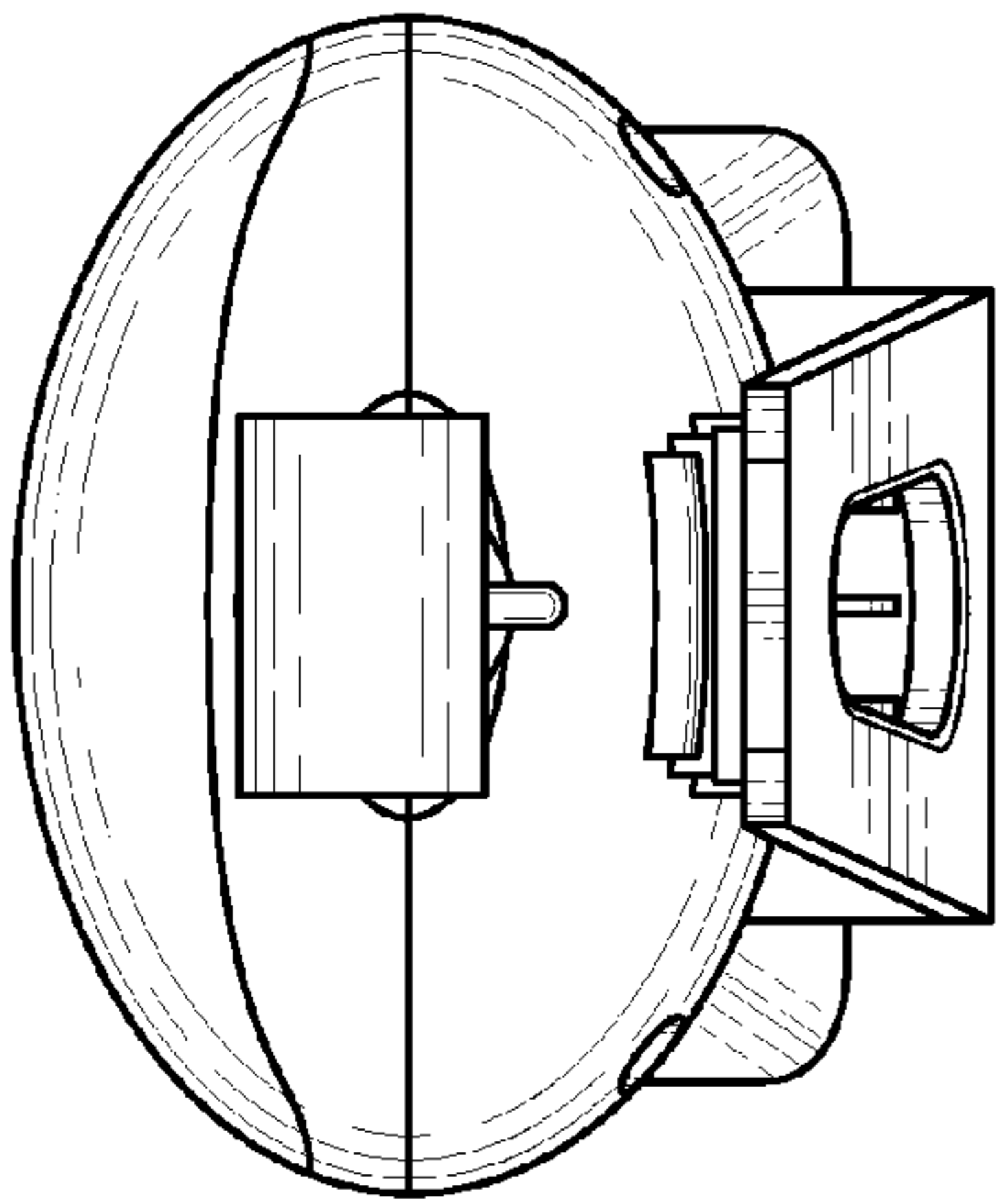


FIG. 4

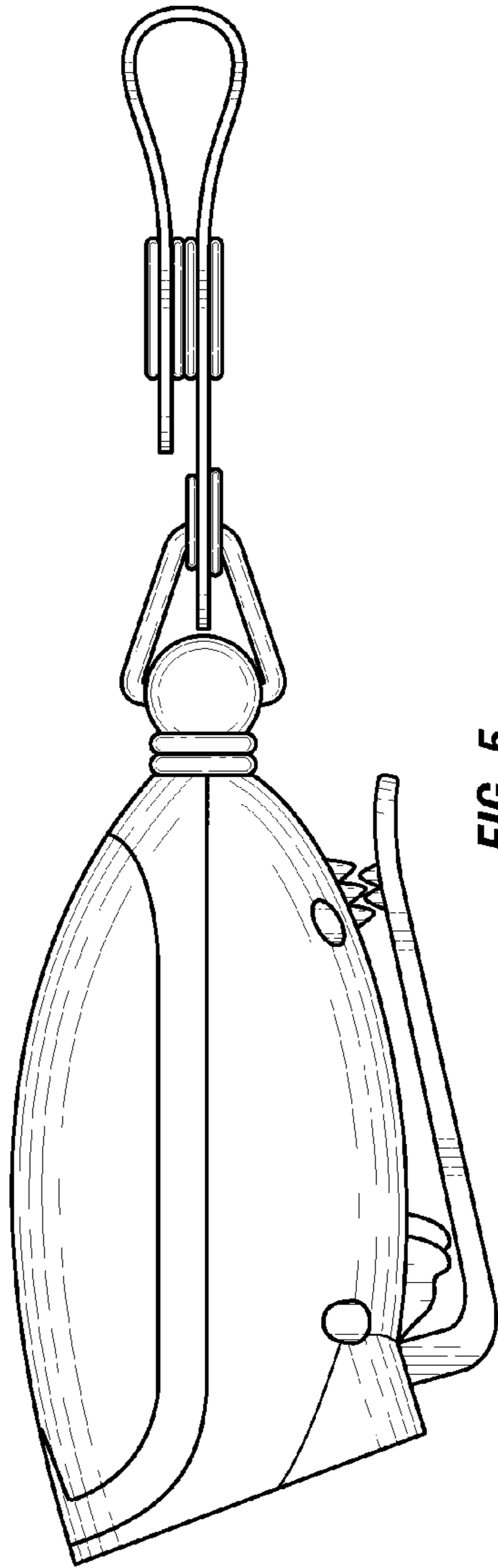


FIG. 5

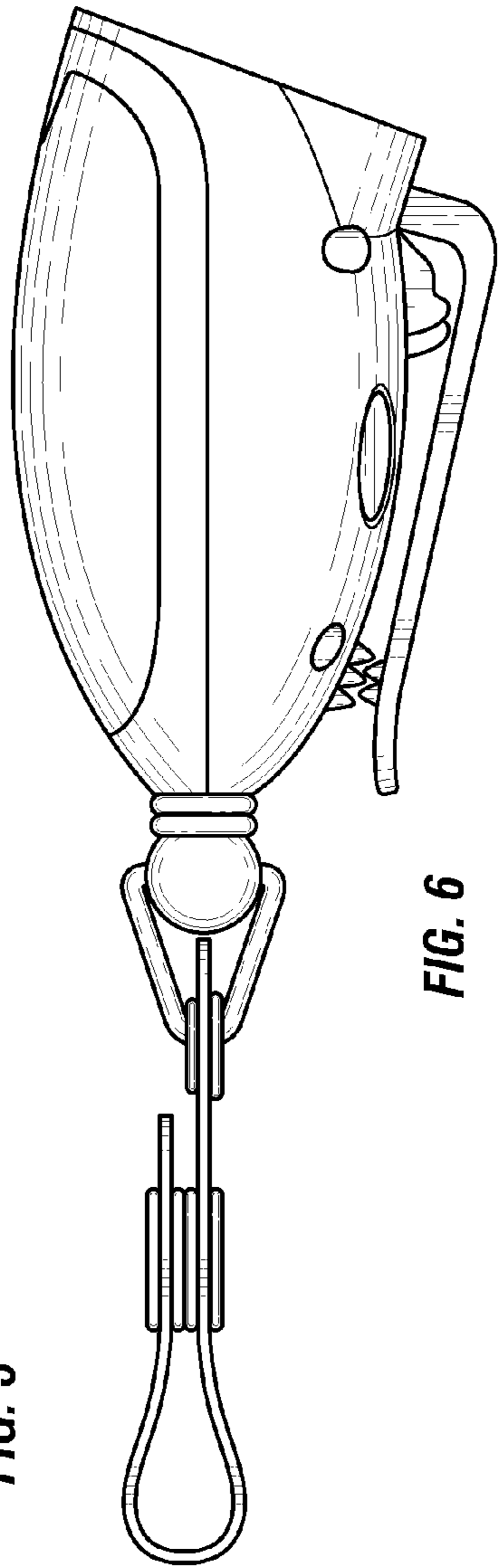


FIG. 6

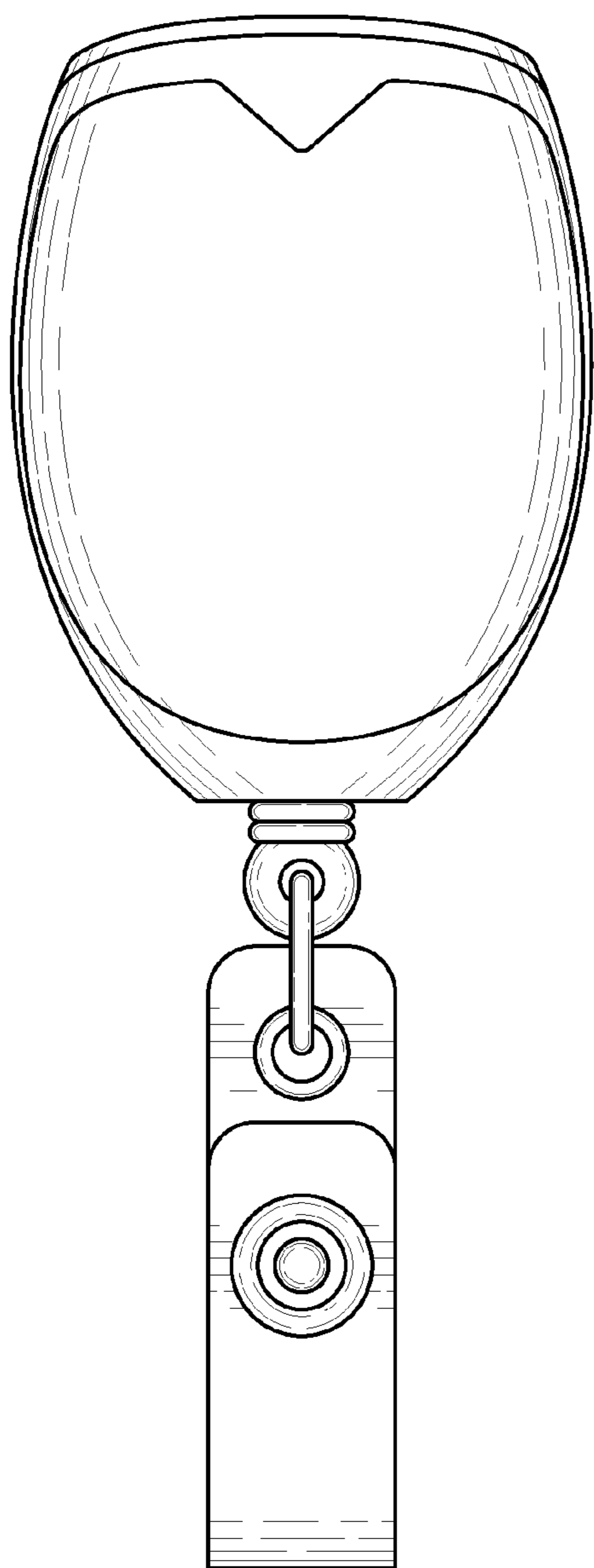


FIG. 7

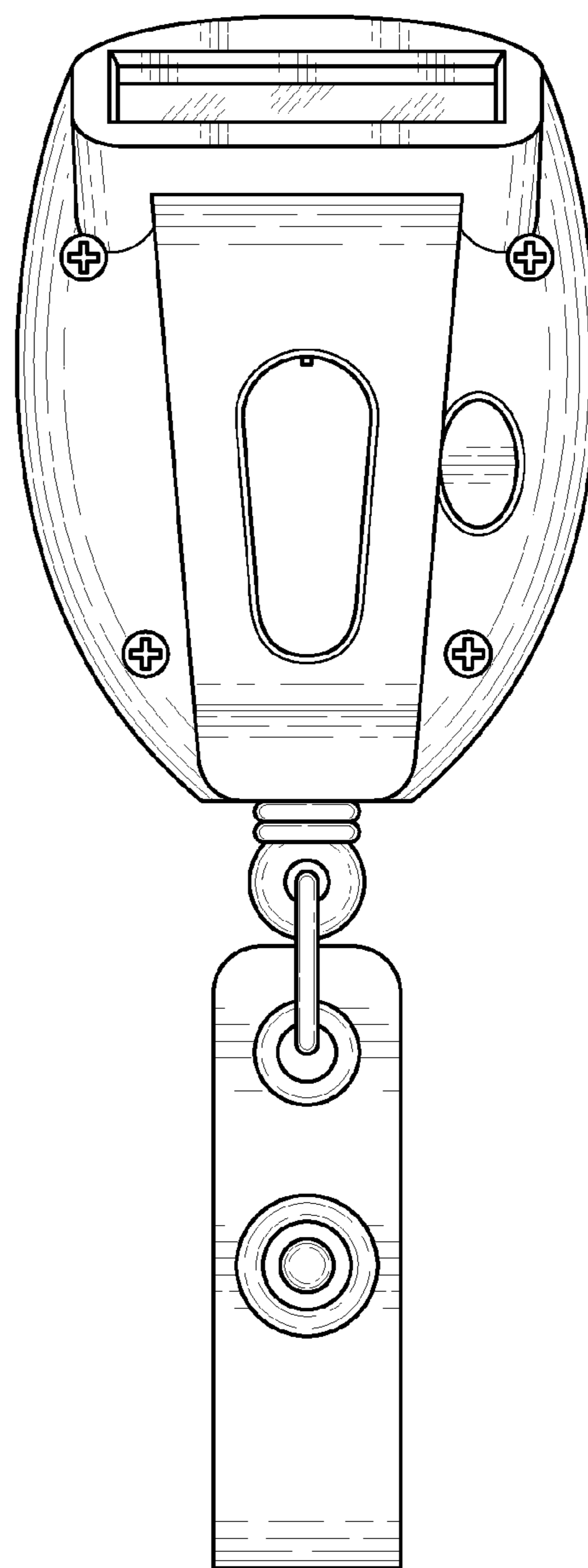


FIG. 8