



US00D635871S

(12) **United States Design Patent**
Au Yeung

(10) **Patent No.:** **US D635,871 S**

(45) **Date of Patent:** **** Apr. 12, 2011**

- (54) **MULTI-FUNCTION PEDOMETER**
- (75) Inventor: **Kwok Keung Au Yeung**, New Territories (HK)
- (73) Assignee: **Ariel Premium Supply, Inc.**, St. Louis, MO (US)
- (**) Term: **14 Years**
- (21) Appl. No.: **29/363,379**
- (22) Filed: **Jun. 8, 2010**
- (51) **LOC (9) Cl.** **10-04**
- (52) **U.S. Cl.** **D10/70**
- (58) **Field of Classification Search** D10/70;
235/105; 377/5, 24.2, 26; 73/514.33, 514.34;
702/155, 160, 176, 78, 79, 82, 91, 92-95,
702/104, 116, 141, 150, 151, 154; 324/522
See application file for complete search history.

- D578,417 S * 10/2008 Au Yeung D10/70
- D578,418 S * 10/2008 Au Yeung D10/70
- D593,884 S * 6/2009 Wang D10/70
- D595,158 S * 6/2009 Naimi et al. D10/40
- D614,982 S * 5/2010 Au Yeung D10/70

* cited by examiner

Primary Examiner — Antoine D Davis

(74) *Attorney, Agent, or Firm* — Intellectual Property Law Group LLP; Juneko Jackson; Otto O. Lee

(57) **CLAIM**

The ornamental design for a multi-function pedometer, as shown and described.

DESCRIPTION

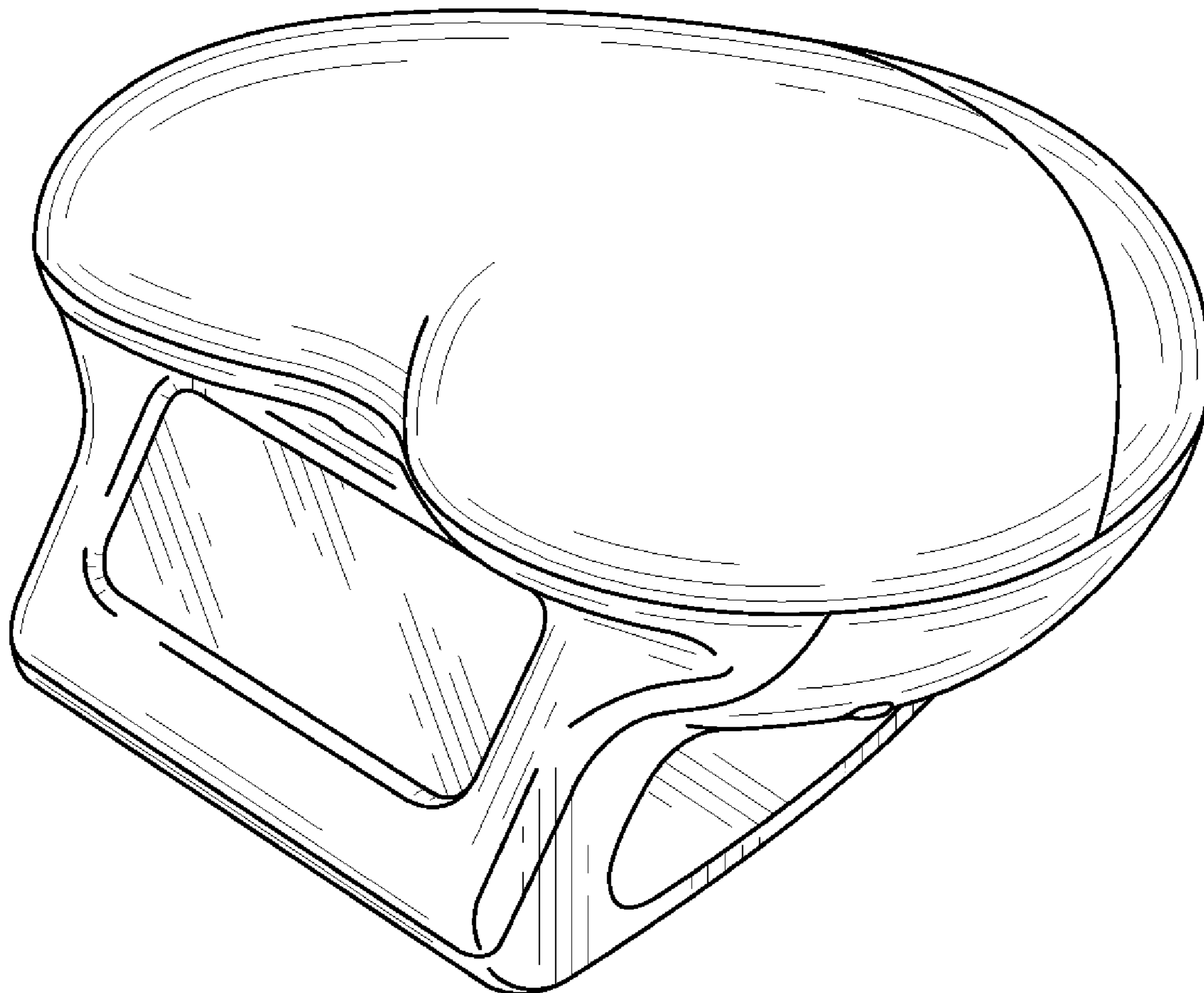
FIG. 1 is a front, top, right side perspective view of a multi-function pedometer embodying my new design; FIG. 2 is a rear, bottom, left side perspective view thereof; FIG. 3 is a front elevational view thereof; FIG. 4 is a rear elevational view thereof; FIG. 5 is a right side elevational view thereof; FIG. 6 is a left side elevational view thereof; FIG. 7 is a top plan view thereof; and, FIG. 8 is a bottom plan view thereof.

1 Claim, 3 Drawing Sheets

(56) **References Cited**

U.S. PATENT DOCUMENTS

- D525,889 S * 8/2006 Oas D10/70
- D528,445 S * 9/2006 Au Yeung D10/70
- D555,019 S * 11/2007 Au Yeung D10/70
- D573,490 S * 7/2008 Au Yeung D10/70



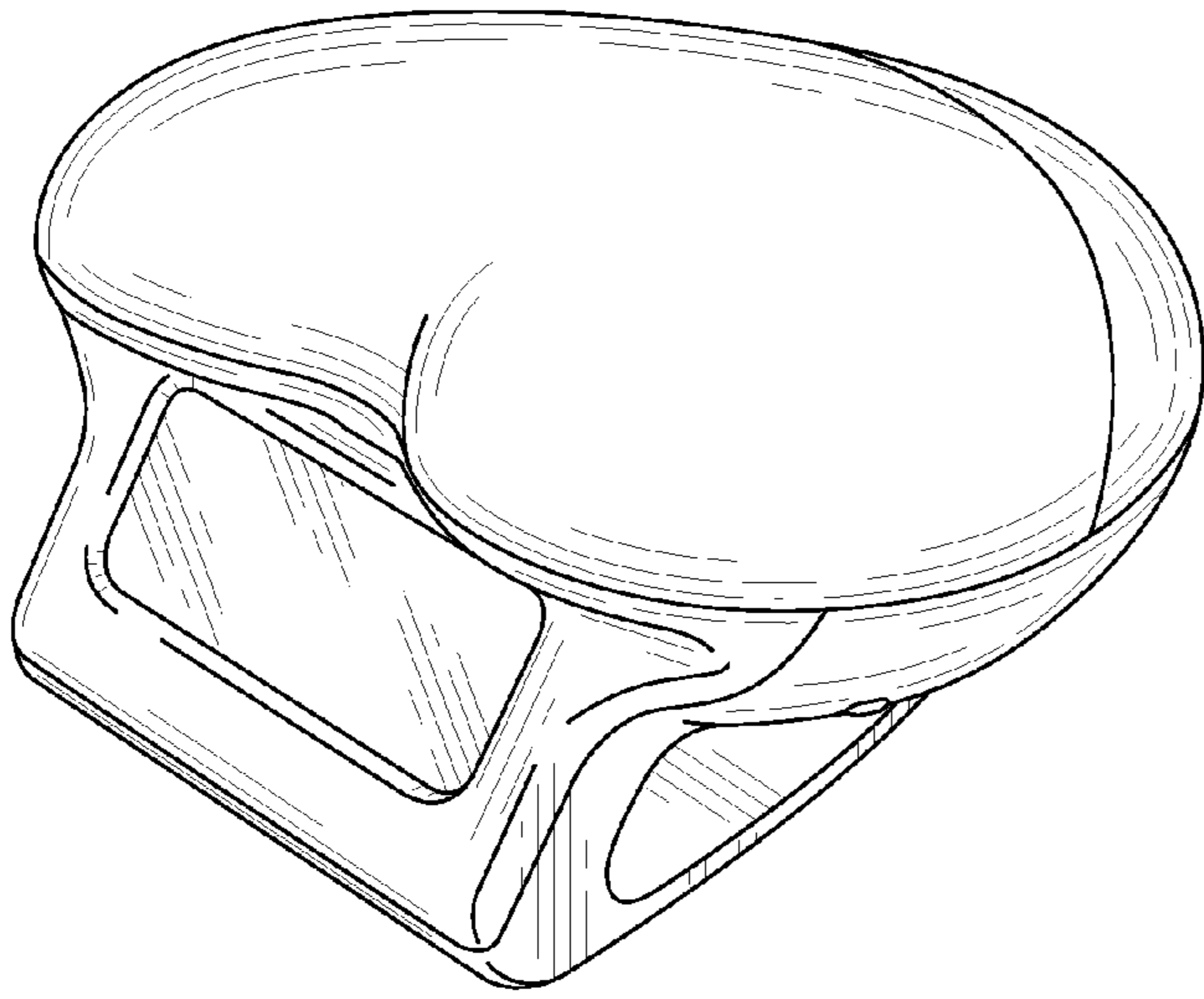


FIG. 1

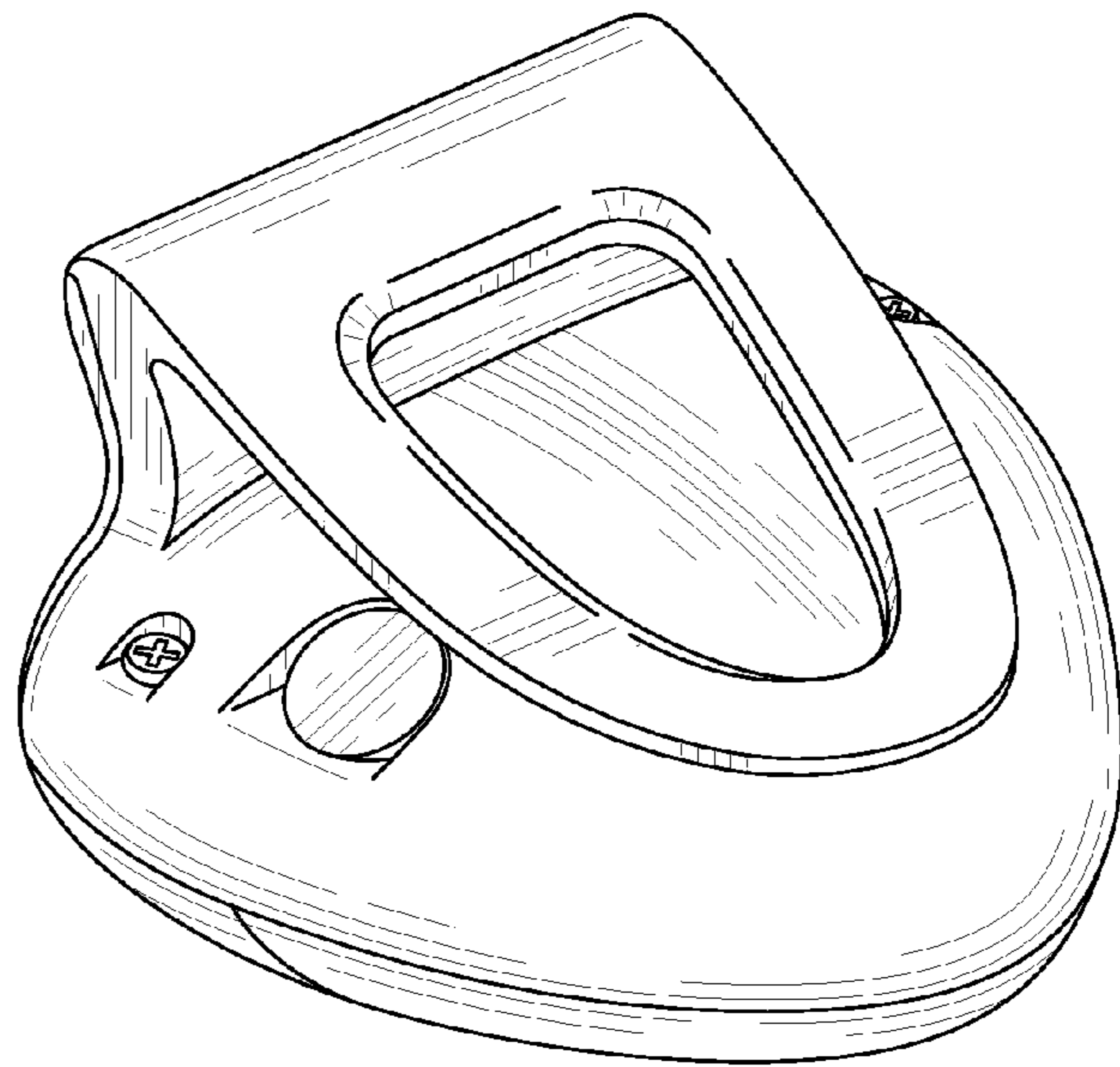


FIG. 2

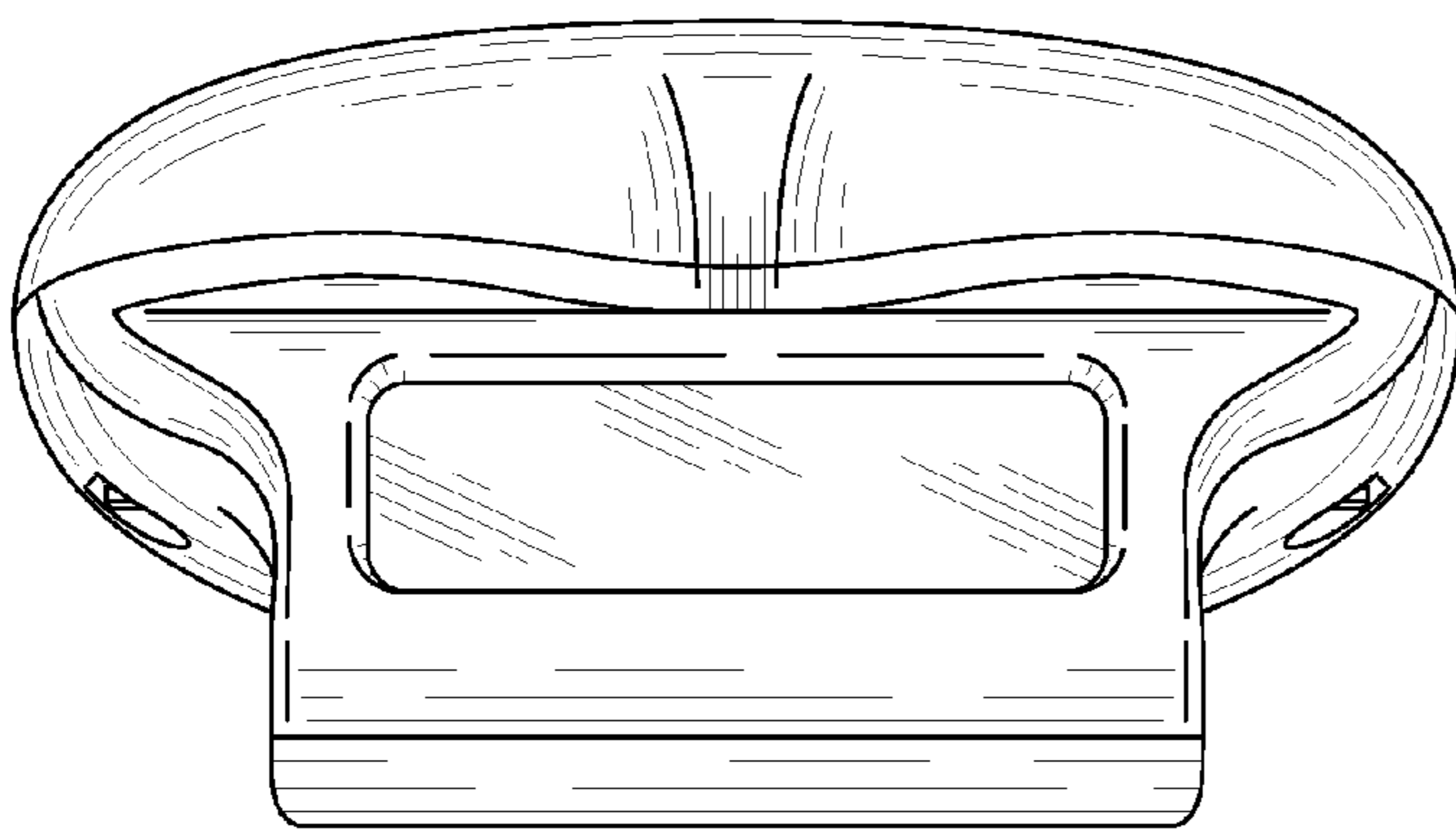


FIG. 3

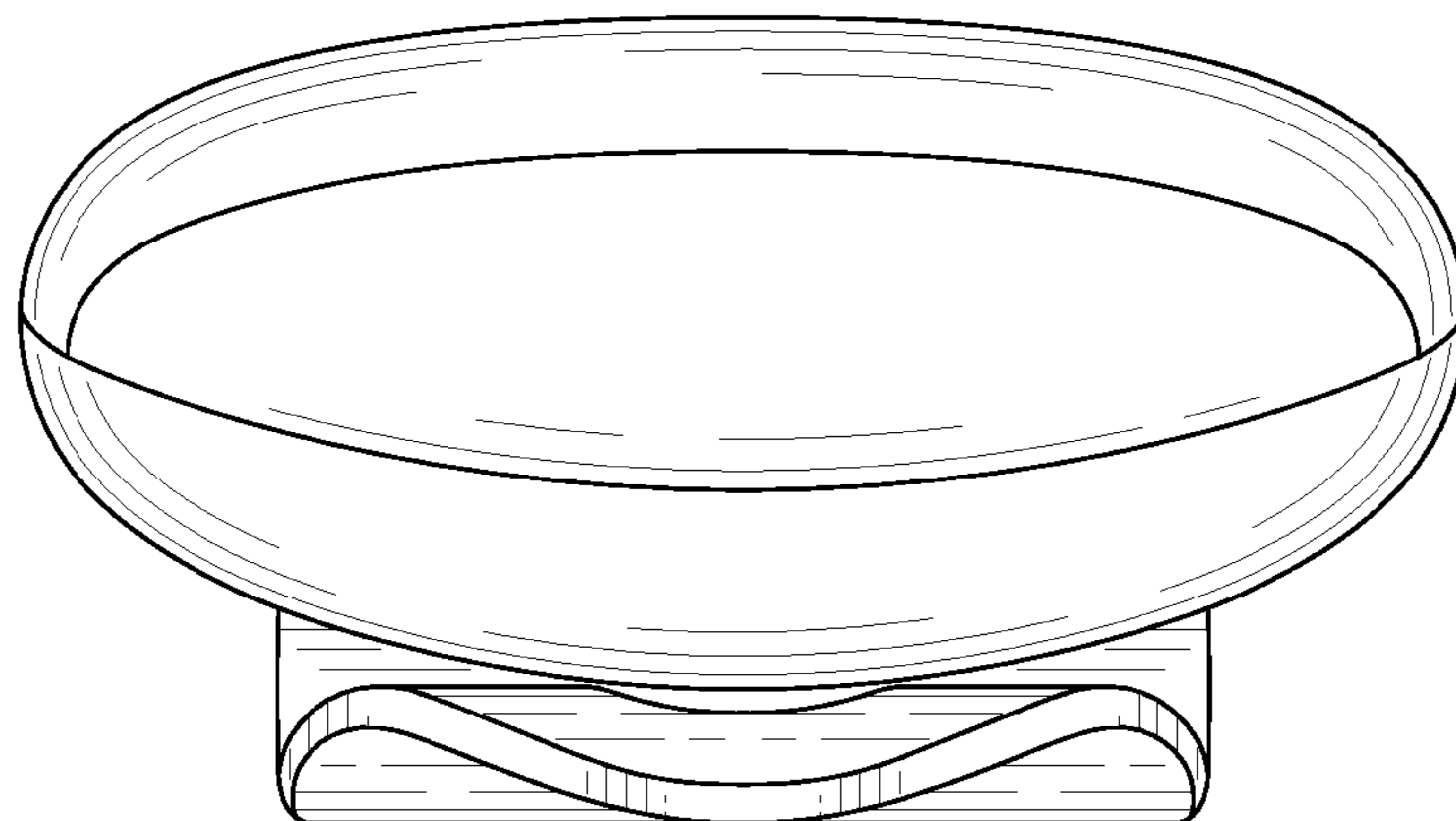


FIG. 4

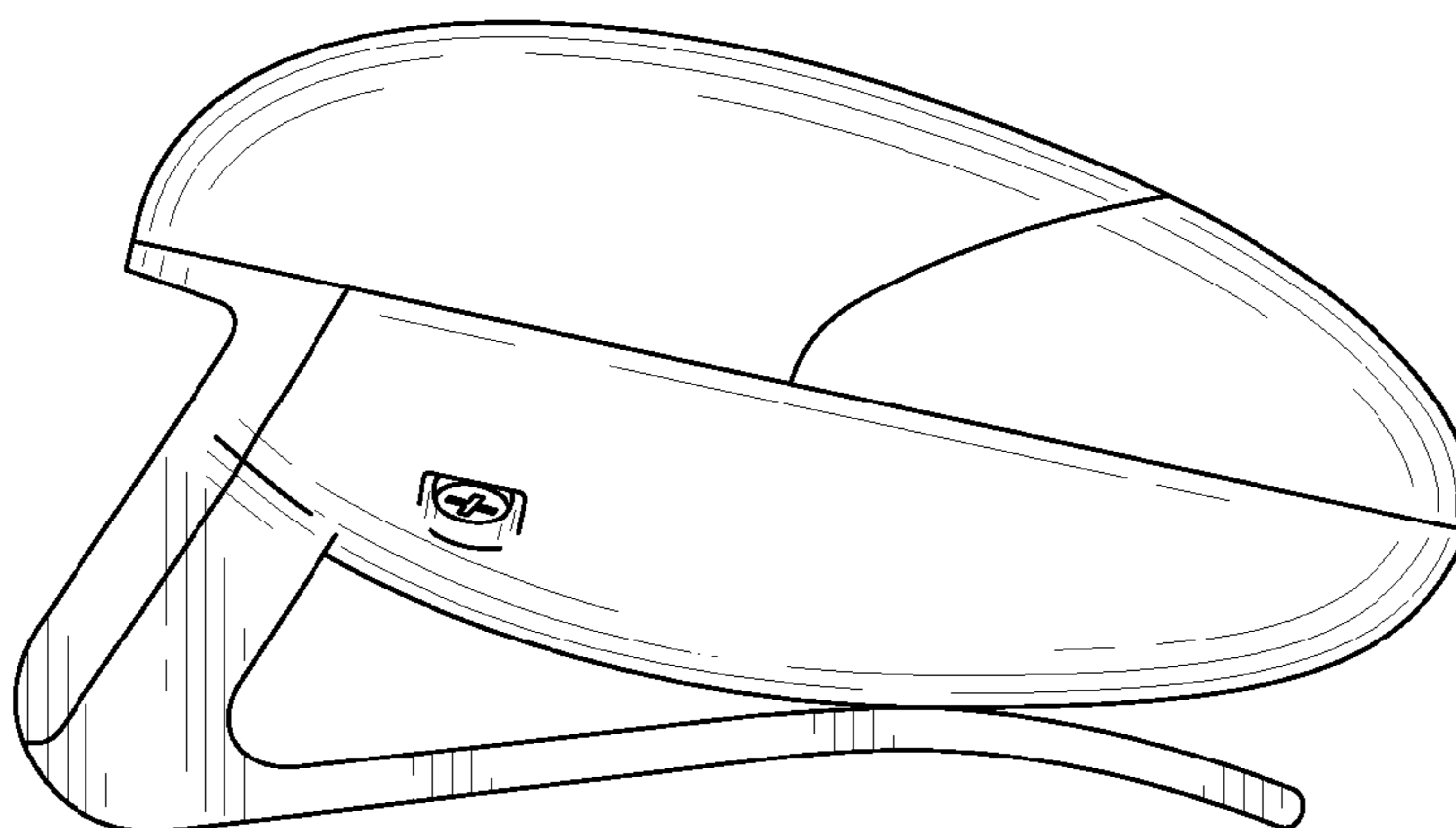


FIG. 5

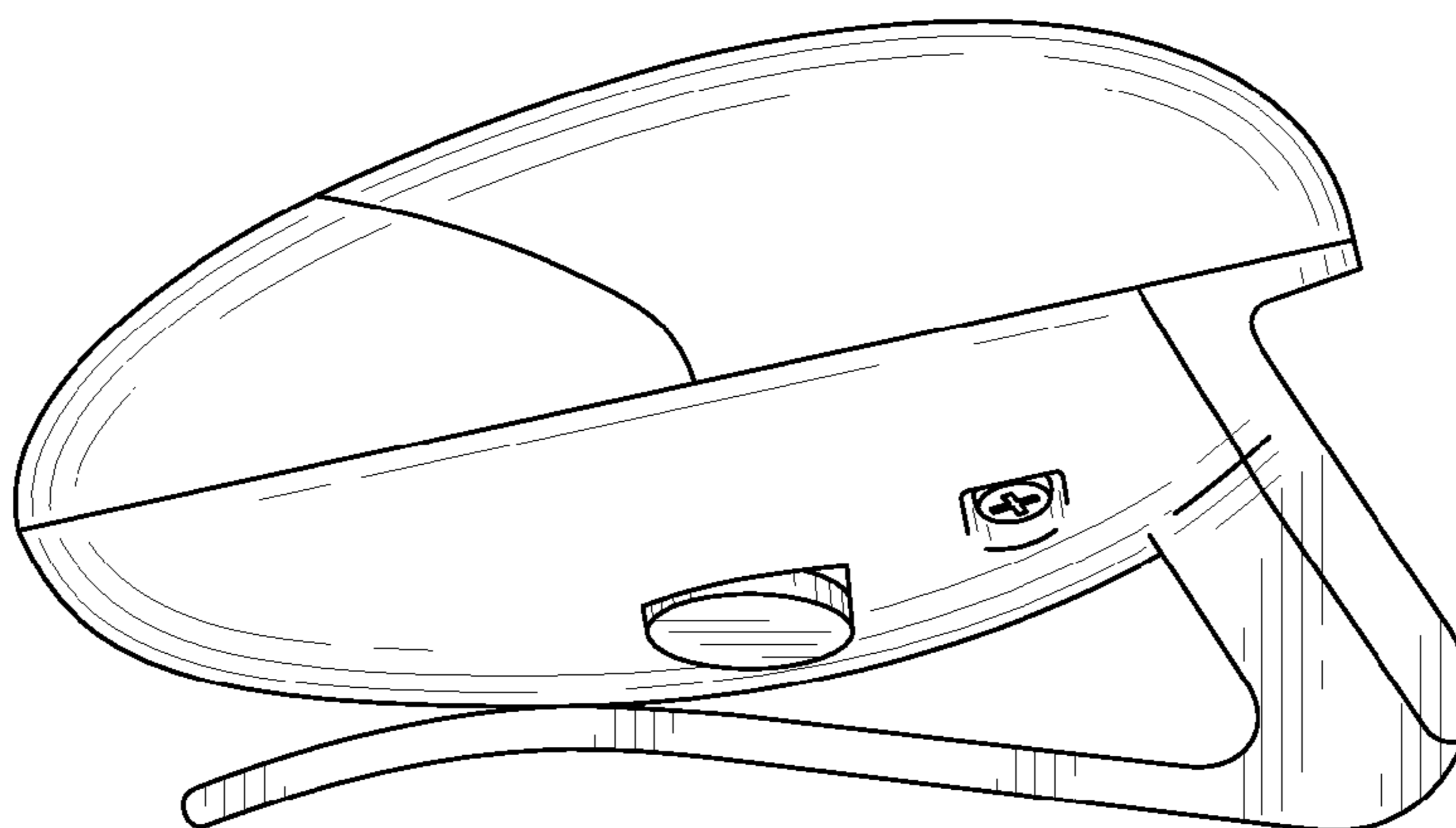


FIG. 6

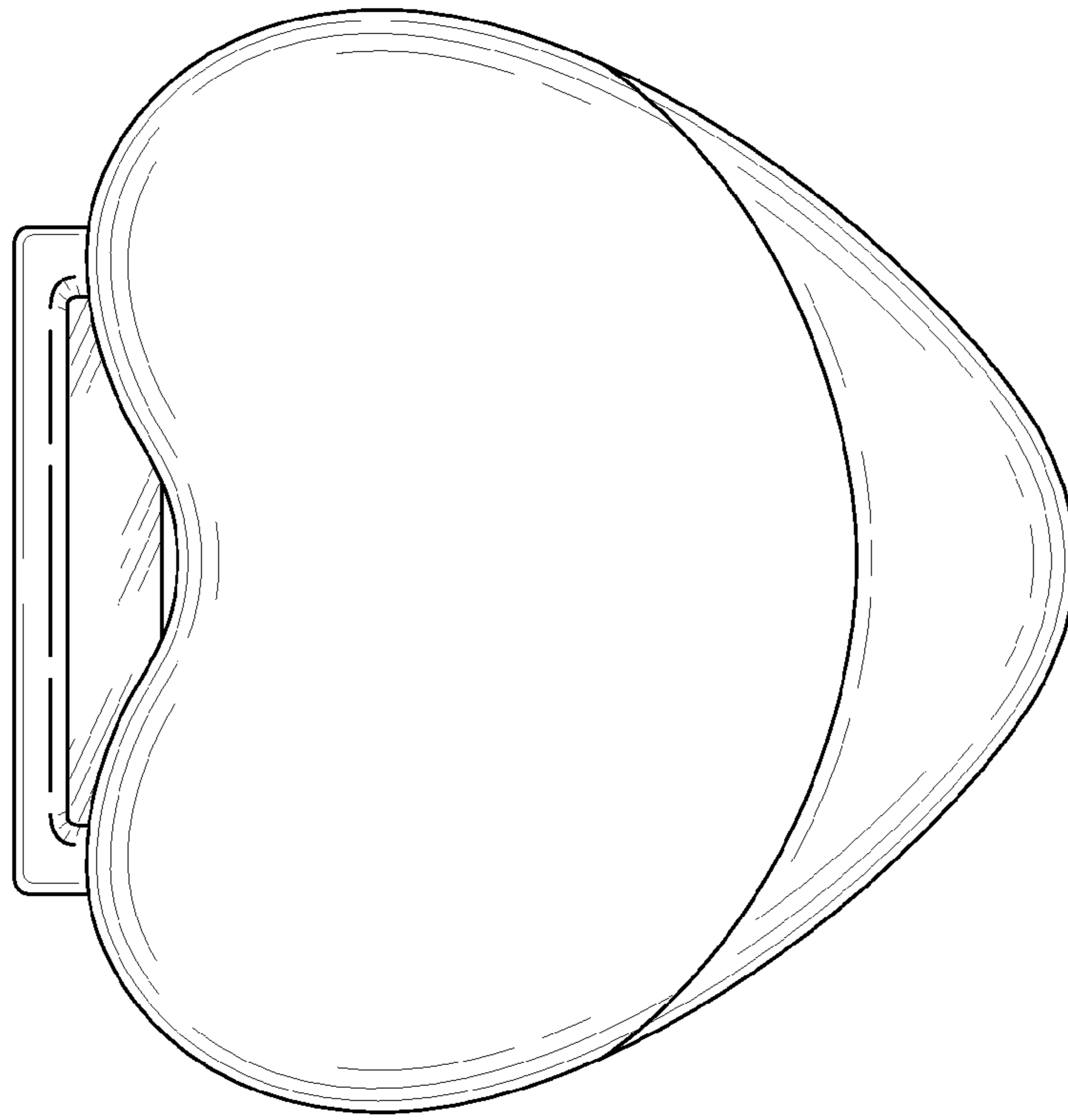


FIG. 7

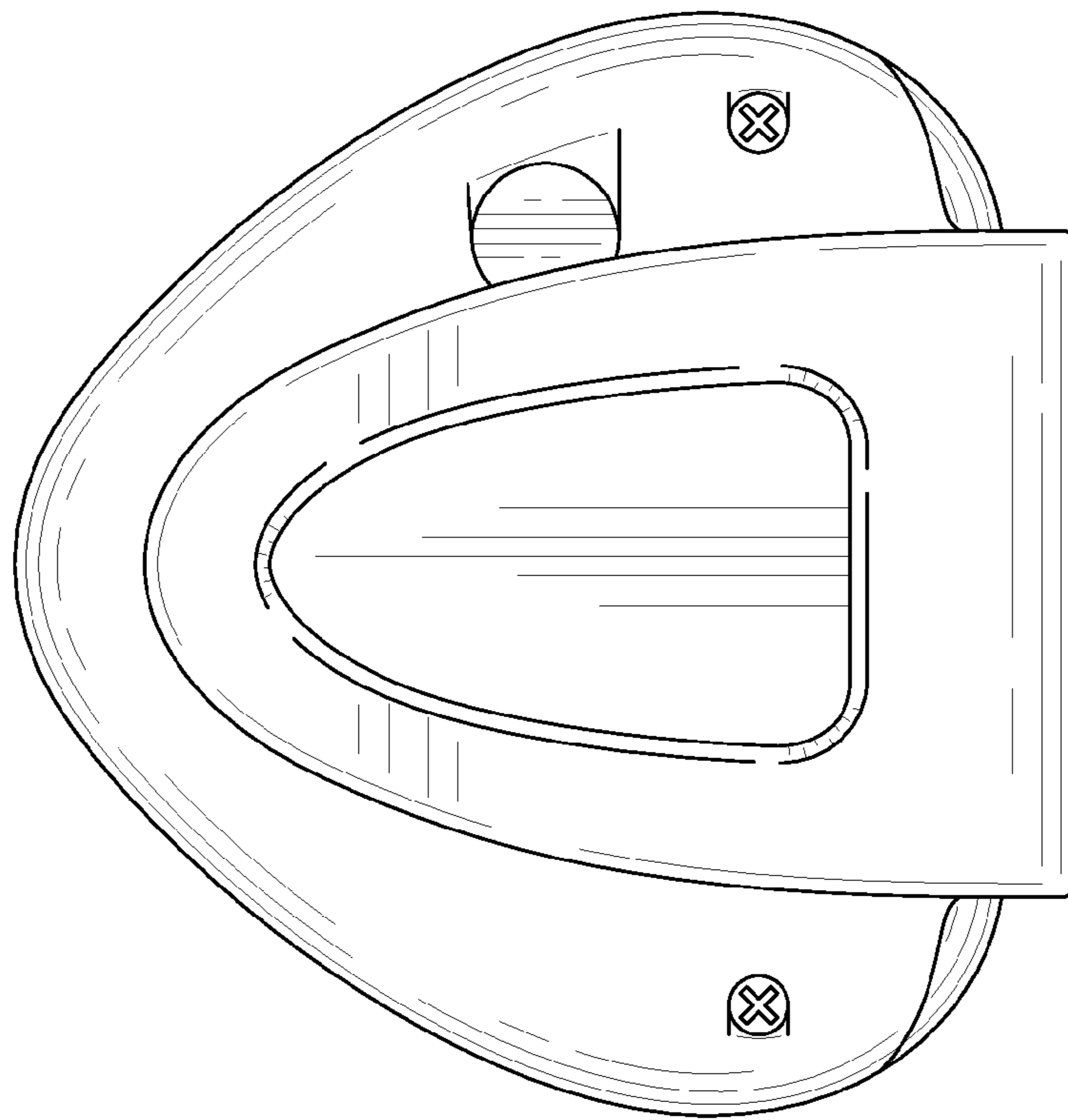


FIG. 8