



US00D635870S

(12) **United States Design Patent**
Puglisi et al.

(10) **Patent No.:** **US D635,870 S**
(45) **Date of Patent:** **** Apr. 12, 2011**

(54) **PEDOMETER**

(76) Inventors: **Marc Puglisi**, Boonton, NJ (US); **Scott Kennis**, Boonton, NJ (US)

(**) Term: **14 Years**

(21) Appl. No.: **29/362,387**

(22) Filed: **May 25, 2010**

(51) **LOC (9) Cl.** **10-04**

(52) **U.S. Cl.** **D10/70**

(58) **Field of Classification Search** D10/70;
235/105; 377/5, 24.2, 26; 73/514.33, 514.34;
702/155, 160, 176, 78, 79, 82, 91, 92-95,
702/104, 116, 141, 150, 151, 154; 324/522
See application file for complete search history.

(56) **References Cited**

U.S. PATENT DOCUMENTS

D614,982 S * 5/2010 Au Yeung D10/70

* cited by examiner

Primary Examiner — Antoine D Davis

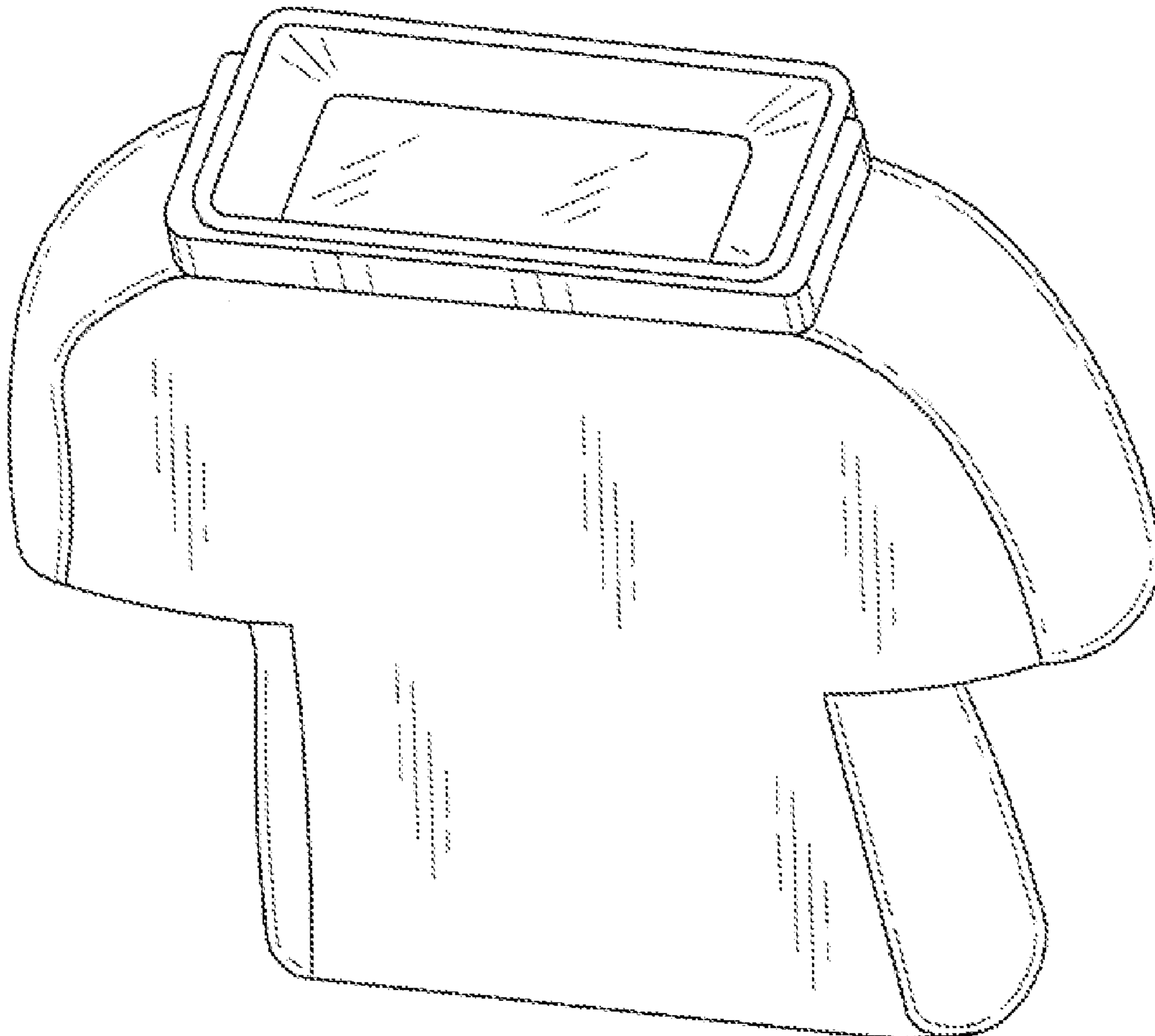
(57) **CLAIM**

The ornamental design for a pedometer, as shown and described.

DESCRIPTION

FIG. 1 is a front perspective view of an embodiment of the present invention;
FIG. 2 is a rear perspective view of an embodiment of the present invention;
FIG. 3 is a front view of an embodiment of the present invention;
FIG. 4 is a rear view of an embodiment of the present invention;
FIG. 5 is a side view of an embodiment of the present invention;
FIG. 6 is a side view of an embodiment of the present invention;
FIG. 7 is a top view of an embodiment of the present invention; and,
FIG. 8 is a bottom view of an embodiment of the present invention.

1 Claim, 4 Drawing Sheets



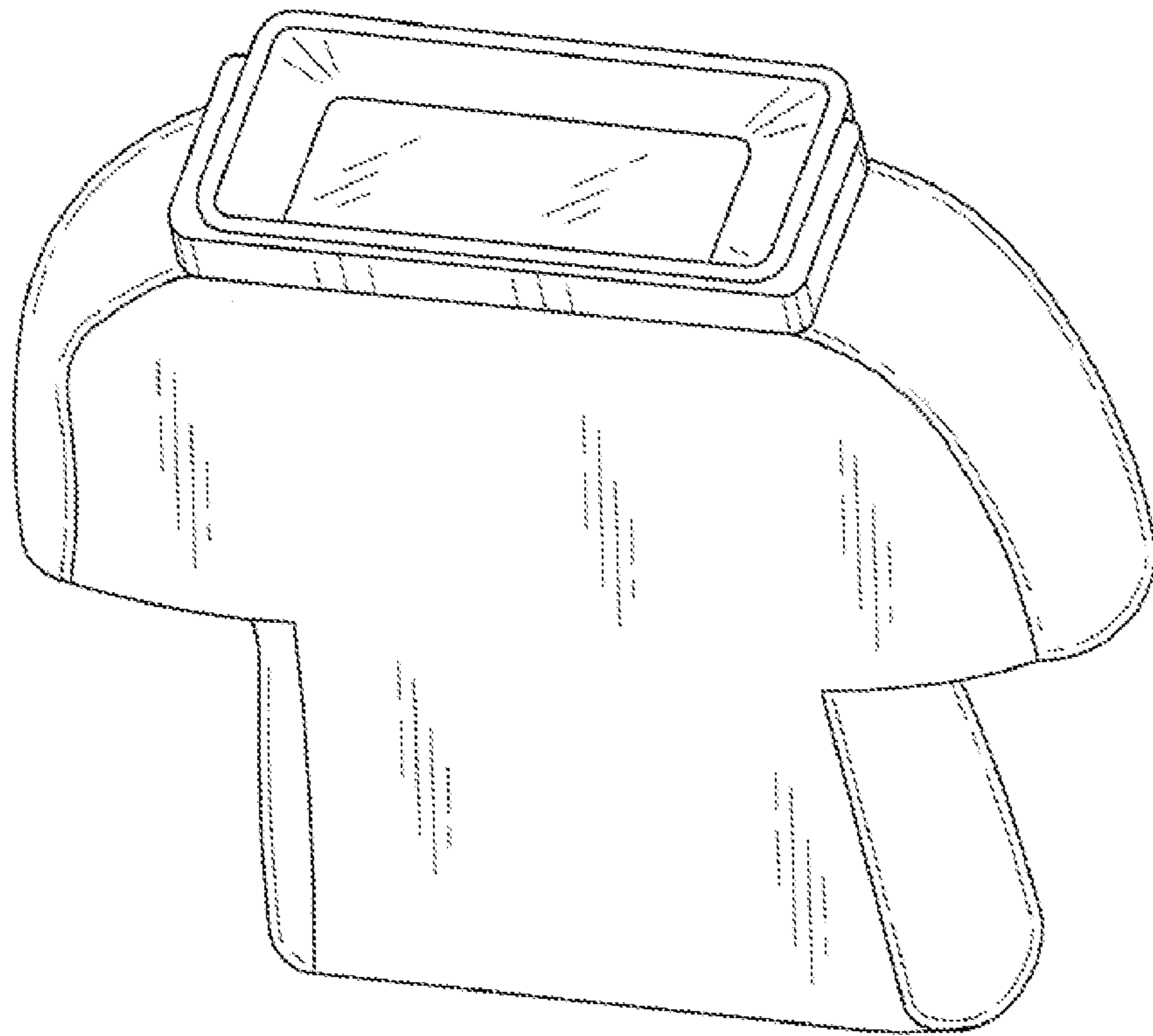


FIG. 1

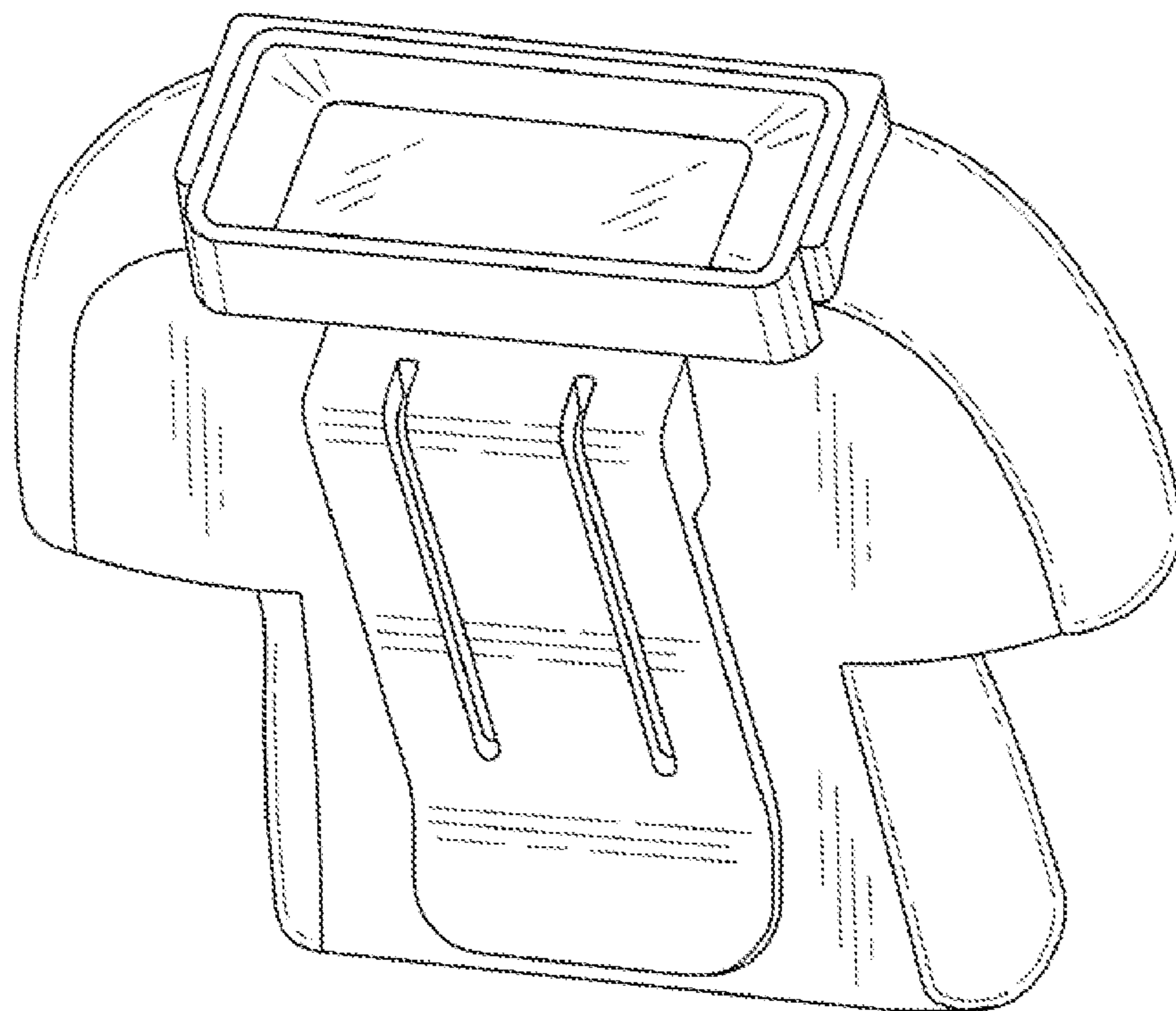


FIG. 2

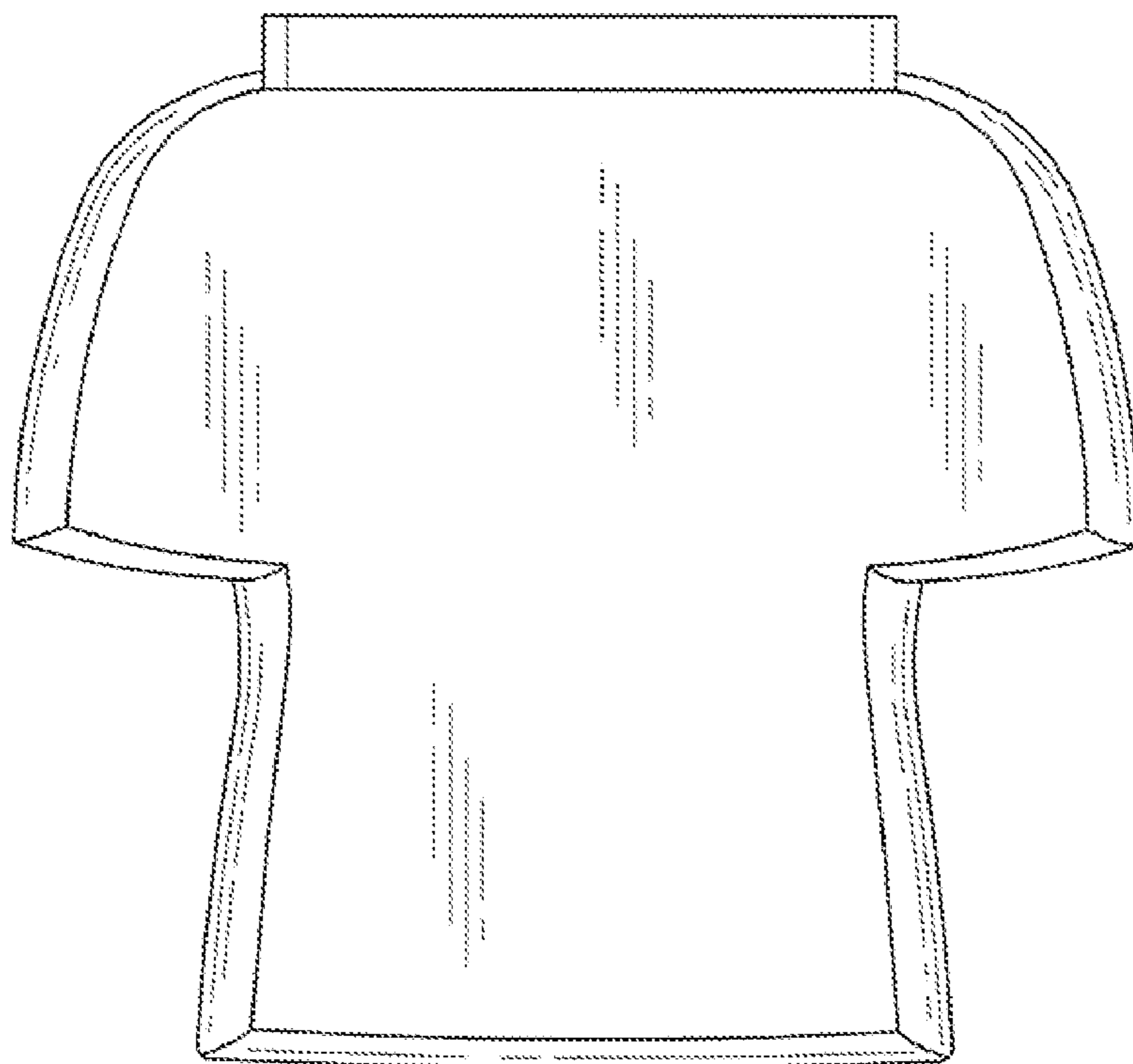


FIG. 3

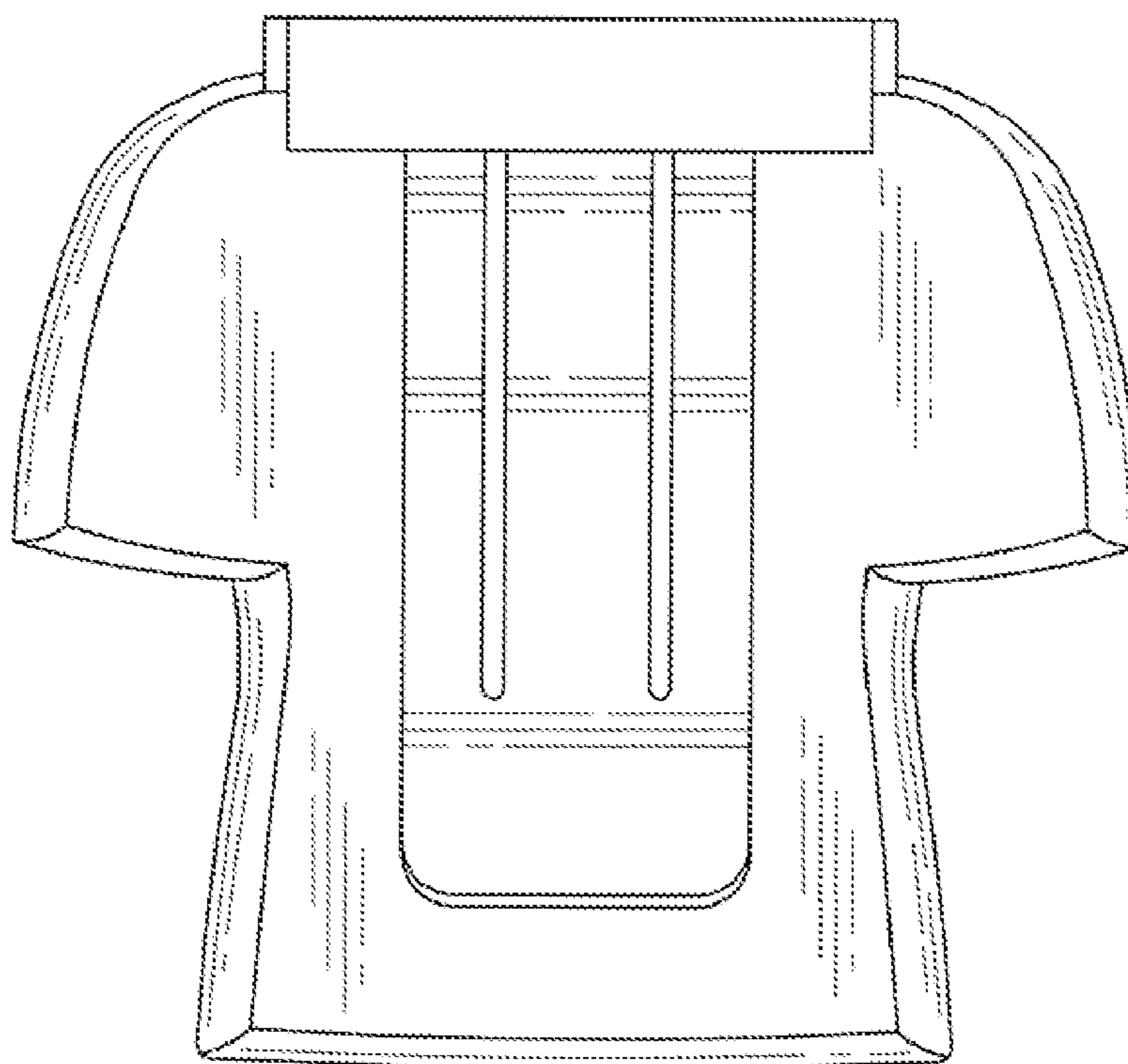


FIG. 4

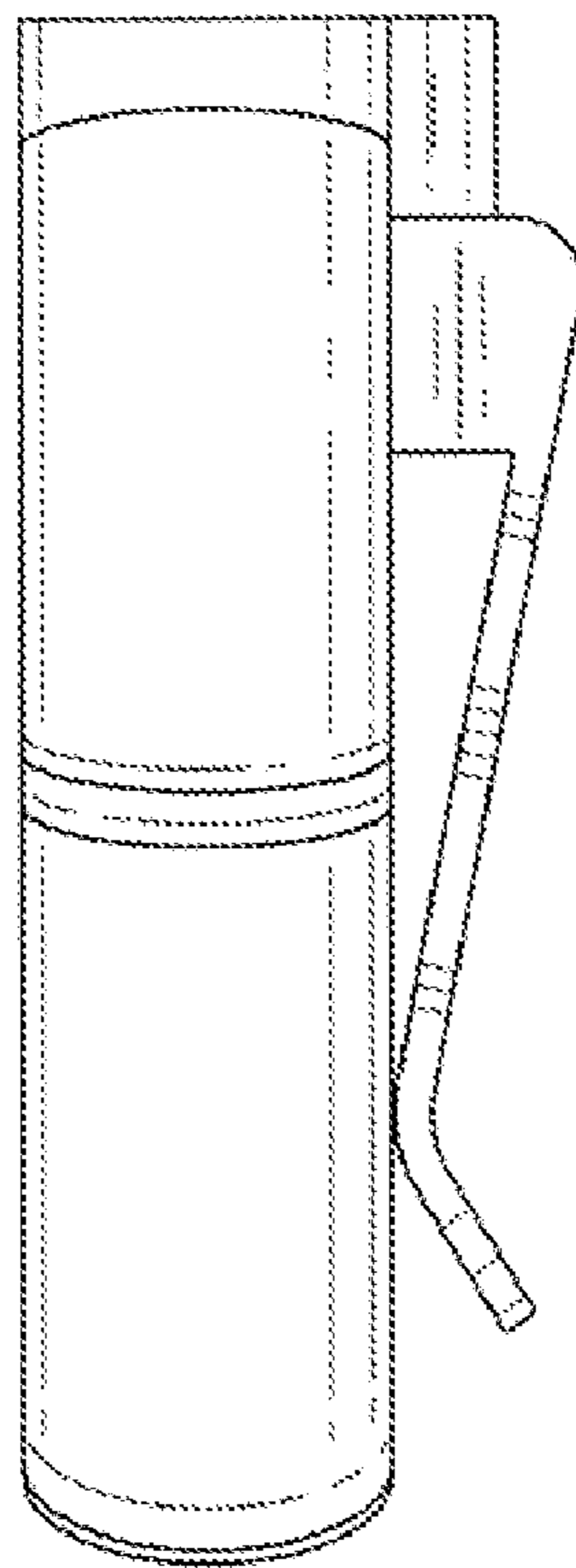


FIG. 5

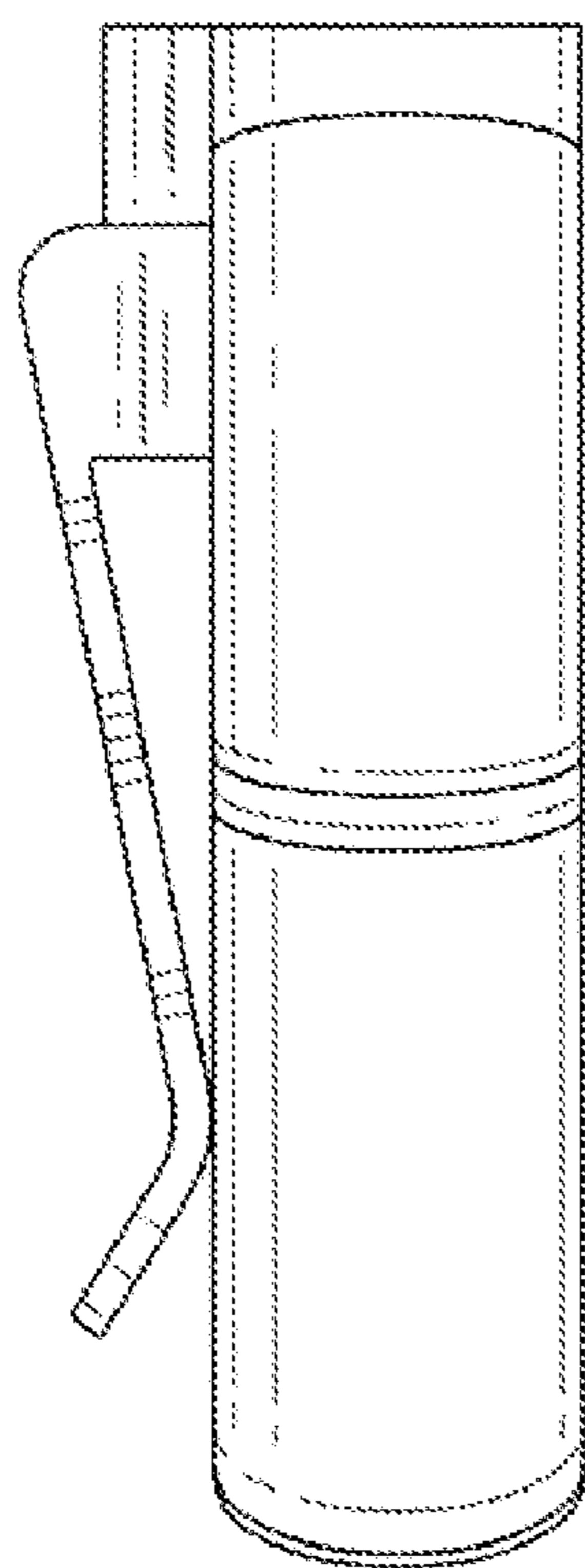


FIG. 6

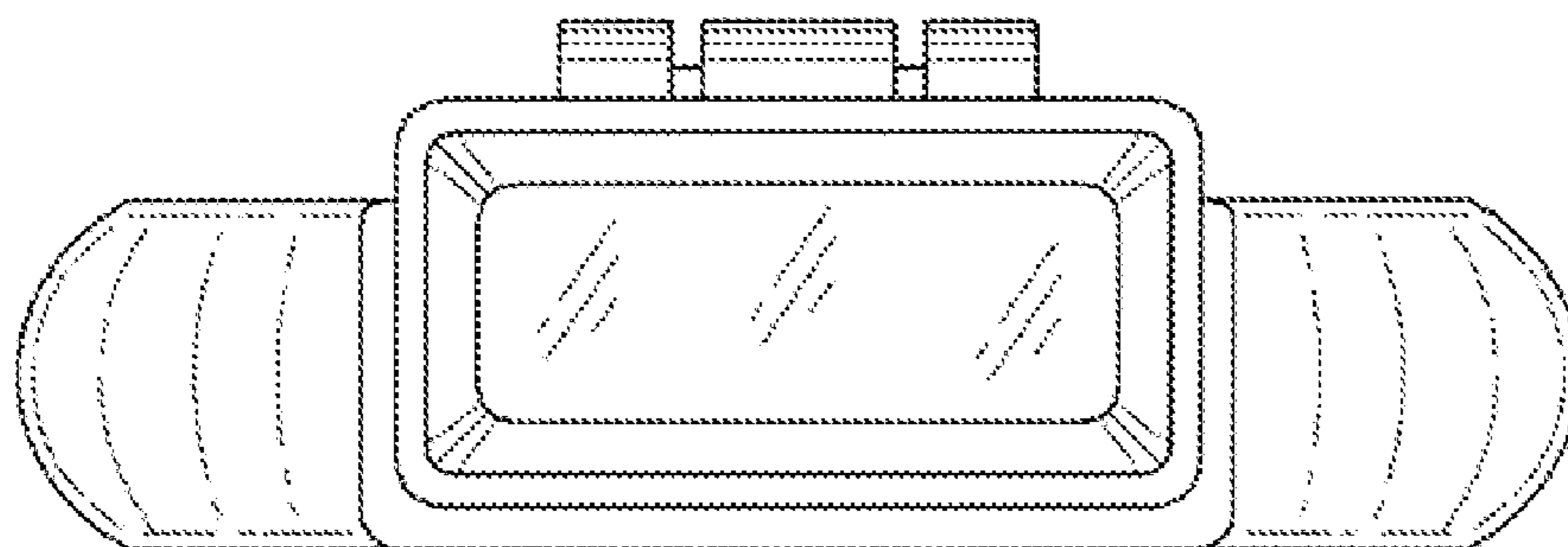


FIG. 7

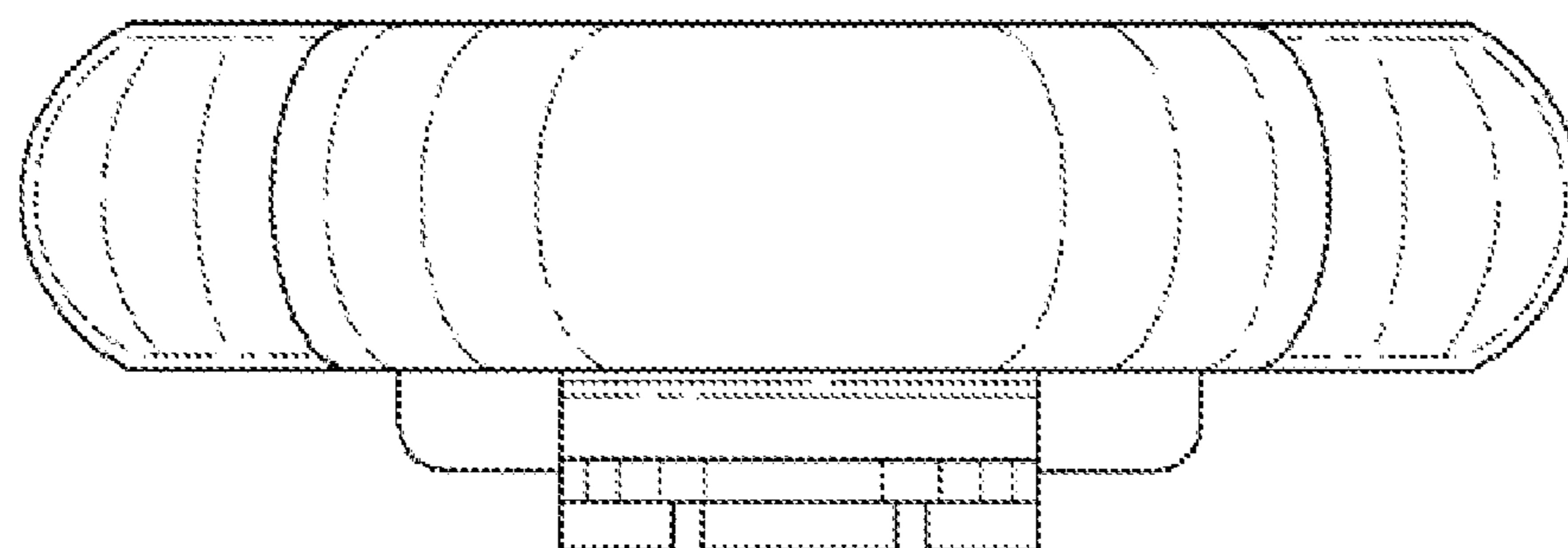


FIG. 8