



US00D635868S

(12) **United States Design Patent**  
**Vaptzarof**

(10) **Patent No.:** **US D635,868 S**

(45) **Date of Patent:** **\*\* Apr. 12, 2011**

(54) **WATCH CASE**

(75) **Inventor:** **Philippe Vaptzarof, L'Abbaye (CH)**

(73) **Assignee:** **Audemars Piguet Marketing SA (CH)**

(\*\*) **Term:** **14 Years**

(21) **Appl. No.:** **29/363,387**

(22) **Filed:** **Jun. 9, 2010**

(51) **LOC (9) Cl.** ..... **10-02**

(52) **U.S. Cl.** ..... **D10/38**

(58) **Field of Classification Search** ..... D10/30-39;  
368/276, 281, 282, 285, 288, 289, 290, 308,  
368/318

See application file for complete search history.

(56) **References Cited**

**U.S. PATENT DOCUMENTS**

D479,135 S *	9/2003	Emmenegger	.....	D10/30
D490,722 S *	6/2004	Weismann et al.	.....	D10/39
D523,357 S *	6/2006	Kummer	.....	D10/38
D534,084 S *	12/2006	Linde	.....	D10/39
D539,669 S *	4/2007	Vaptzarof	.....	D10/31
D539,674 S *	4/2007	Vaptzarof	.....	D10/38
D543,872 S *	6/2007	Garcia	.....	D10/38
D566,581 S *	4/2008	Giannini	.....	D10/32

D569,742 S *	5/2008	Scheufele	.....	D10/39
D576,054 S *	9/2008	Vaptzarof	.....	D10/38
D576,055 S *	9/2008	Vaptzarof	.....	D10/39
D582,792 S *	12/2008	Lalo	.....	D10/38
D582,793 S *	12/2008	Lalo	.....	D10/38
D600,140 S *	9/2009	Giannini	.....	D10/32
D607,346 S *	1/2010	Bove et al.	.....	D10/38

\* cited by examiner

*Primary Examiner* — Lucy Lieberman

(74) *Attorney, Agent, or Firm* — Galbreath Law Offices,  
P.C.; John A. Galbreath

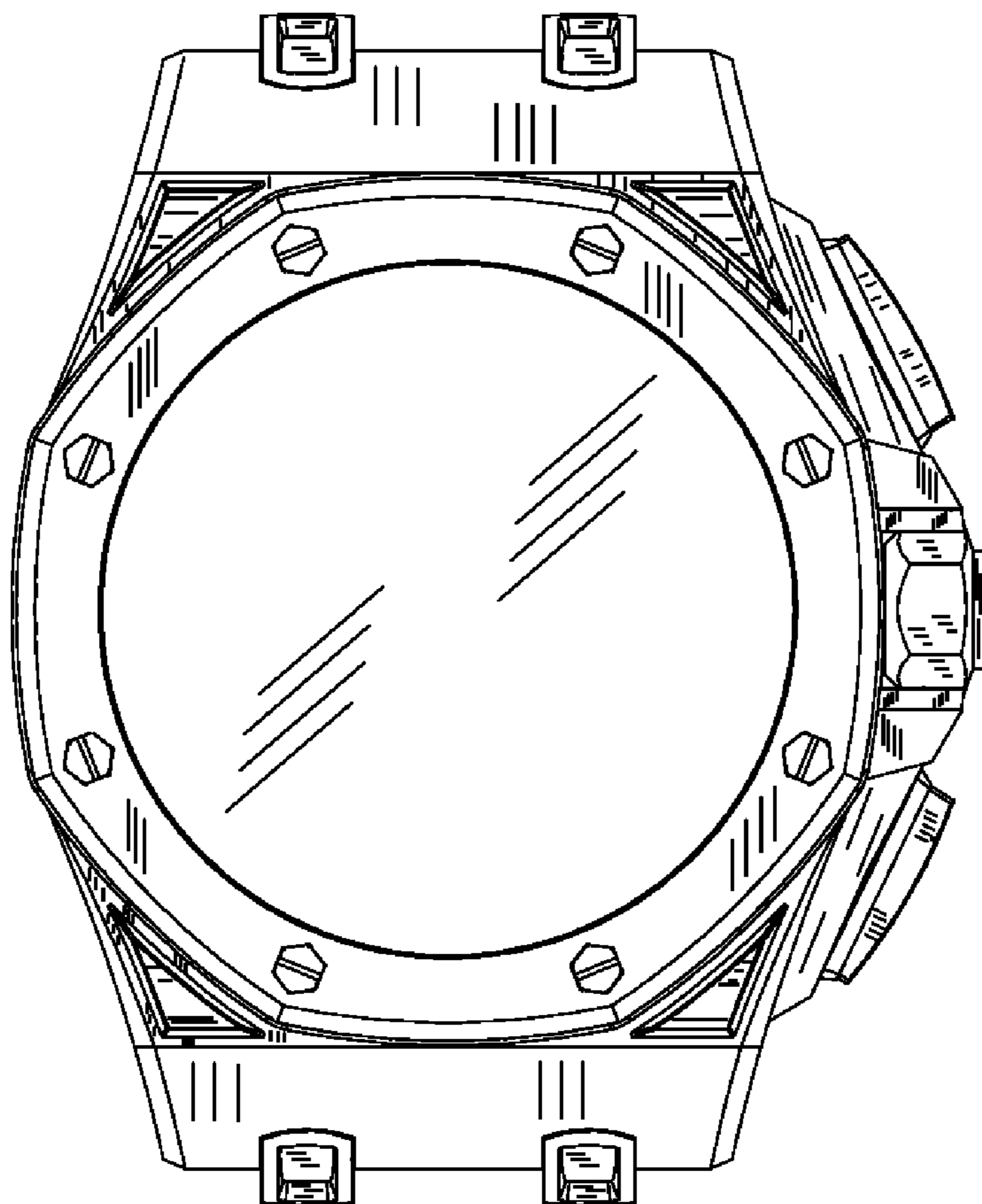
(57) **CLAIM**

The ornamental design for a watch case, as shown and described.

**DESCRIPTION**

FIG. 1 is a front view of the invention;  
FIG. 2 is a side view of the invention;  
FIG. 3 is a top view of the invention;  
FIG. 4 is another side view of the invention, showing the side opposite that shown in FIG. 2;  
FIG. 5 is a bottom view of the invention; and,  
FIG. 6 is a back view of the invention, with the watch case inverted.

**1 Claim, 1 Drawing Sheet**



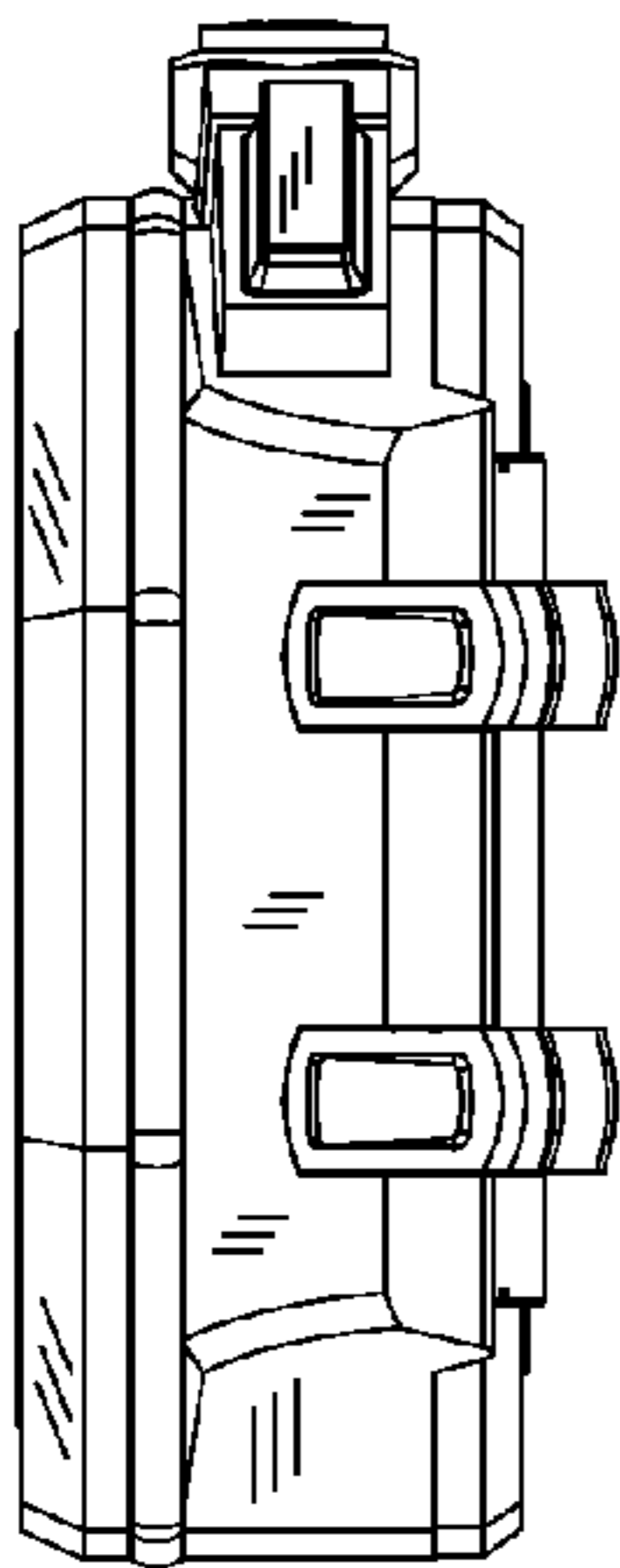


Fig 1

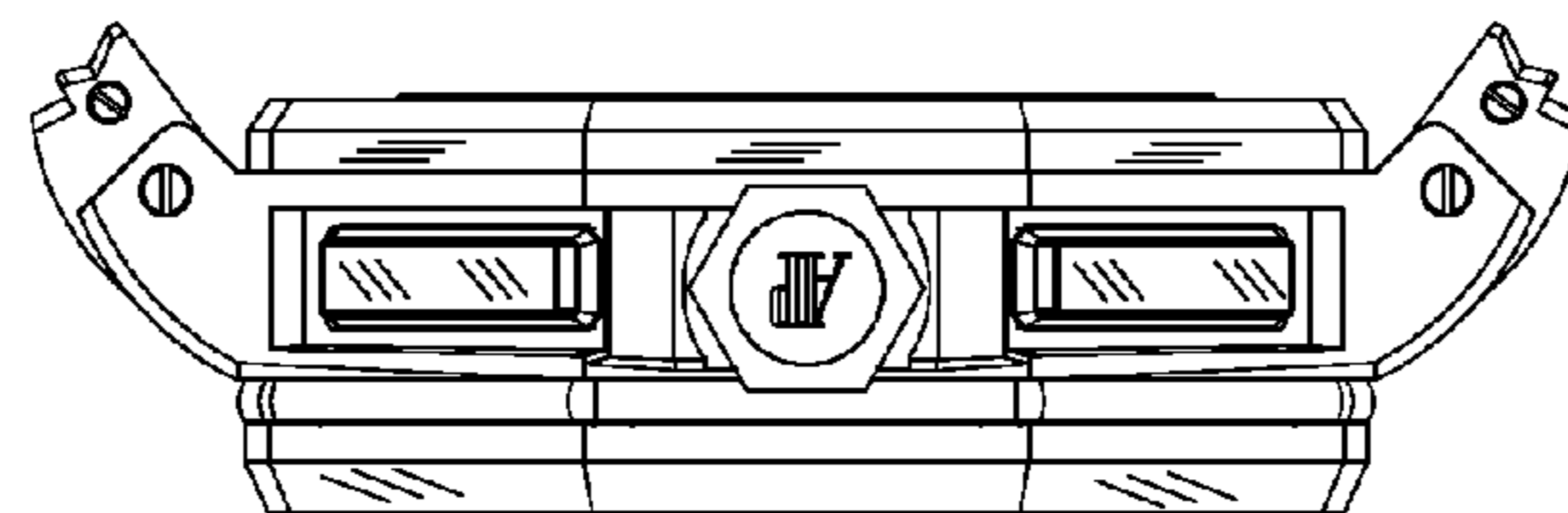


Fig 2

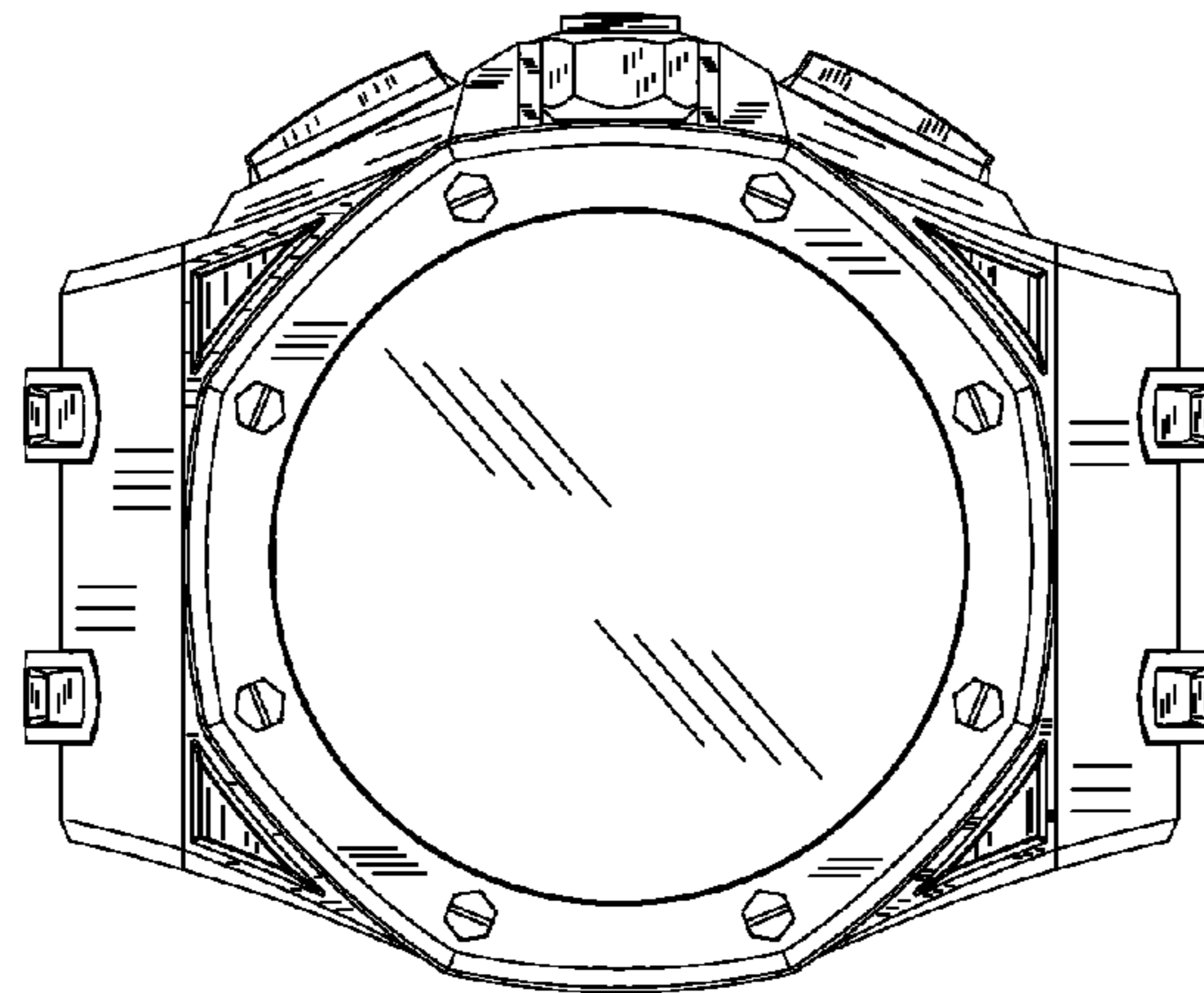


Fig 3

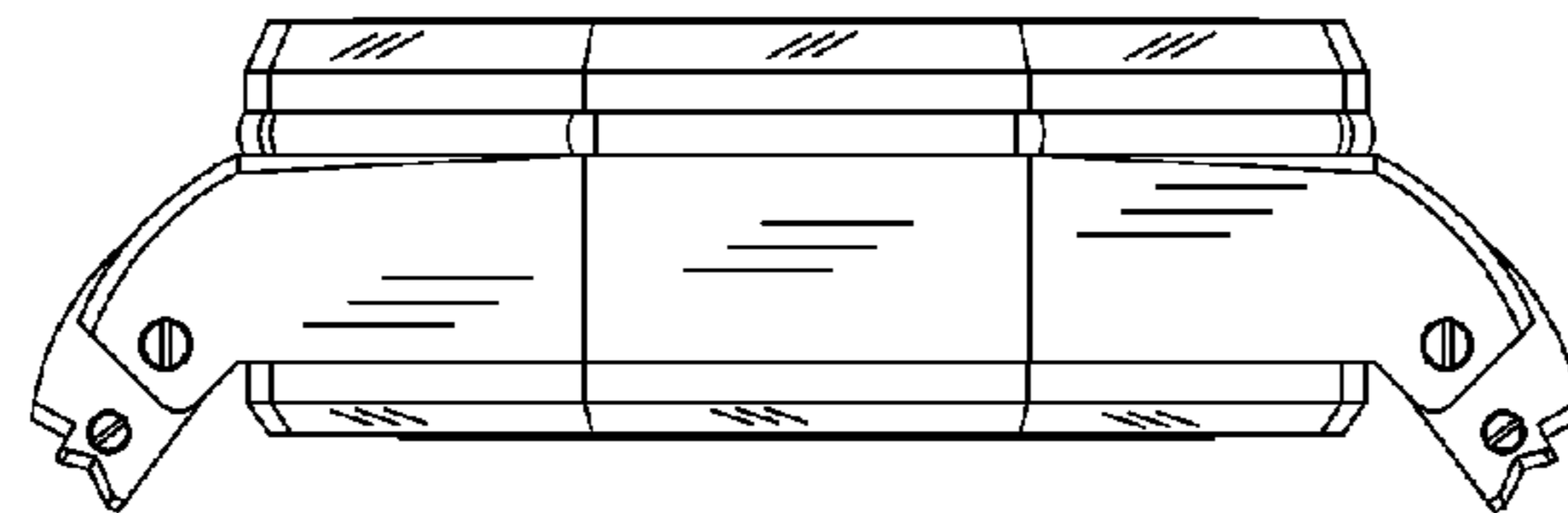


Fig 4

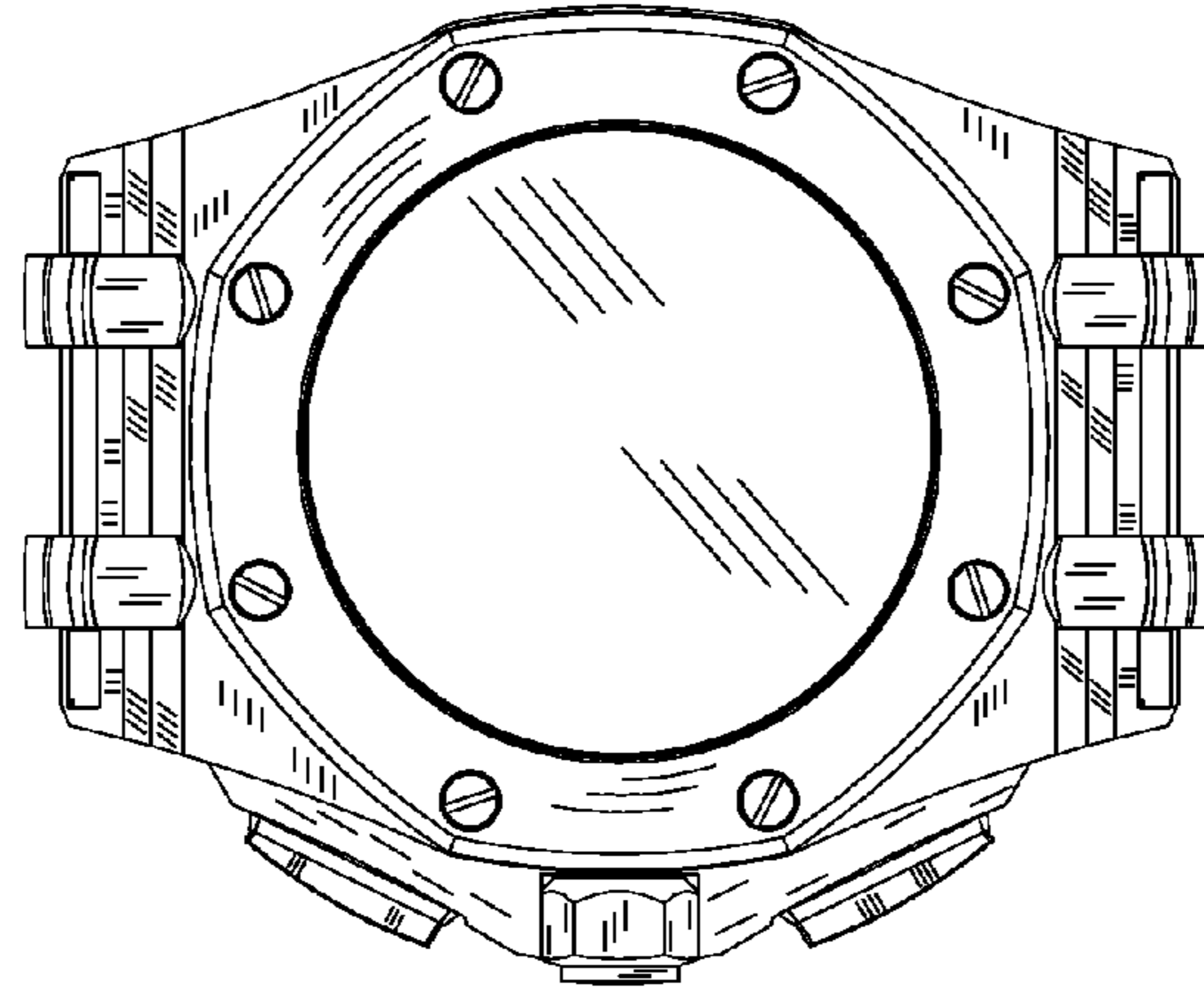


Fig 5

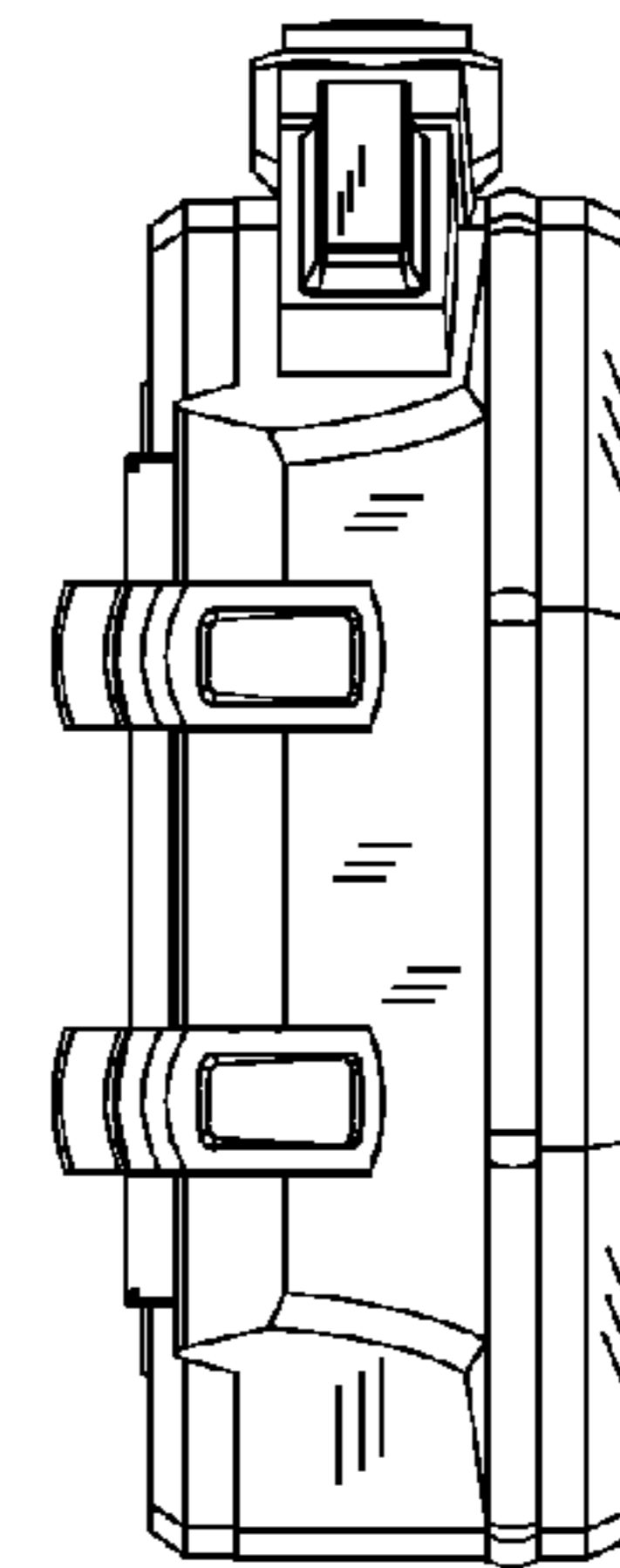


Fig 6