

US00D635864S

(12) **United States Design Patent**
Lee

(10) **Patent No.:** **US D635,864 S**
(45) **Date of Patent:** **** Apr. 12, 2011**

(54) **FLASK**

(76) **Inventor:** **Jeremy Lee, San Diego, CA (US)**

(**) **Term:** **14 Years**

(21) **Appl. No.:** **29/355,396**

(22) **Filed:** **Feb. 6, 2010**

(51) **LOC (9) Cl.** **09-01**

(52) **U.S. Cl.** **D9/680; D9/521; D9/522; D9/523;**
D9/526; D9/565; D9/566; D9/569

(58) **Field of Classification Search** **D9/516,**
D9/522-523, 526, 566, 569, 572-575, 680;
D22/108; 89/33.1; 42/6, 18, 50, 90, 49.01
See application file for complete search history.

(56) **References Cited**

U.S. PATENT DOCUMENTS

| | | | |
|----------------|---------|-----------------|----------|
| D18,718 S | 11/1888 | Bloomingtondale | |
| D19,357 S | 10/1889 | Walter | |
| D38,970 S | 12/1907 | Harper | |
| 999,387 A * | 8/1911 | Mauser | 42/50 |
| D109,920 S * | 5/1938 | Mcintosh | D9/575 X |
| D115,532 S | 3/1939 | Stough | |
| D176,440 S * | 12/1955 | Bloch | D9/523 |
| D176,590 S * | 1/1956 | Breen | D9/522 |
| 3,043,198 A * | 7/1962 | Darsie et al. | 42/50 X |
| D219,204 S * | 11/1970 | Weiner | D9/522 |
| 3,726,038 A * | 4/1973 | Bredbury | 42/50 |
| 3,736,686 A * | 6/1973 | Moller et al. | 42/6 |
| 3,964,199 A * | 6/1976 | Musgrave | 42/50 |
| D242,346 S * | 11/1976 | Sofinowski | D22/108 |
| D268,987 S | 5/1983 | Smith | |
| 4,586,281 A * | 5/1986 | Chesnut | 42/50 |
| D333,978 S * | 3/1993 | Zutler | D9/566 X |
| D381,897 S | 8/1997 | Matthiesen | |
| D410,383 S | 6/1999 | Tarashchansky | |
| 6,212,815 B1 * | 4/2001 | Fitzpatrick | 42/90 |
| 6,481,136 B1 * | 11/2002 | Fitzpartick | 42/50 |

| | | | |
|-------------------|---------|------------------|----------|
| D485,184 S * | 1/2004 | Hay et al. | D9/522 |
| D506,674 S * | 6/2005 | Sumiyoshi et al. | D9/526 X |
| D512,638 S | 12/2005 | Baron | |
| D513,990 S | 1/2006 | Archeny | |
| D523,344 S * | 6/2006 | Toth et al. | D9/522 |
| D531,904 S * | 11/2006 | Sillett et al. | D9/516 |
| D531,905 S | 11/2006 | Day | |
| D543,851 S * | 6/2007 | Franic | D9/575 X |
| D558,049 S * | 12/2007 | Eaton et al. | D9/523 X |
| D558,577 S | 1/2008 | Pettigrew | |
| D582,783 S * | 12/2008 | Little et al. | D9/569 X |
| D597,845 S | 8/2009 | Brady | |
| D602,787 S * | 10/2009 | Gaultier | D9/572 |
| D604,165 S | 11/2009 | Gilbert | |
| D605,048 S | 12/2009 | Smith, III | |
| D606,413 S | 12/2009 | Dammkoehler | |
| D611,350 S * | 3/2010 | Esparza et al. | D9/572 X |
| 2009/0000171 A1 * | 1/2009 | Quis | 42/18 |

* cited by examiner

Primary Examiner — Carol Rademaker

(74) *Attorney, Agent, or Firm* — QuickPatents, Inc.; Kevin Prince

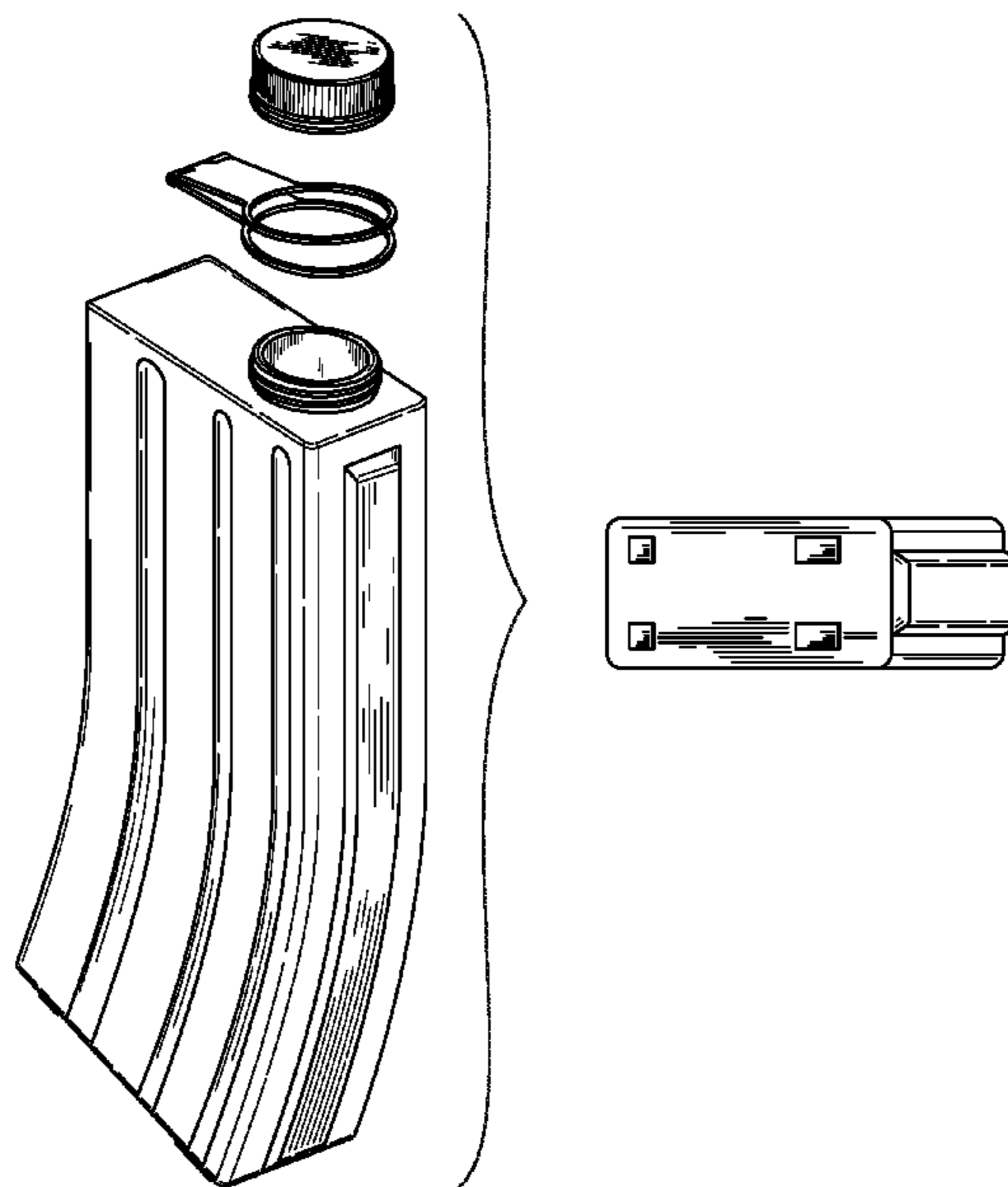
(57) **CLAIM**

What is claimed is the ornamental design for a flask, as shown and described.

DESCRIPTION

FIG. 1 is a perspective view of a flask, showing the new design;
FIG. 2 is an exploded perspective view thereof;
FIG. 3 is a front elevational view thereof;
FIG. 4 is a rear elevational view thereof;
FIG. 5 is a right-side elevational view thereof, the left-side elevational view being a mirror image thereof;
FIG. 6 is a top plan view thereof; and,
FIG. 7 is a bottom plan view thereof.

1 Claim, 2 Drawing Sheets



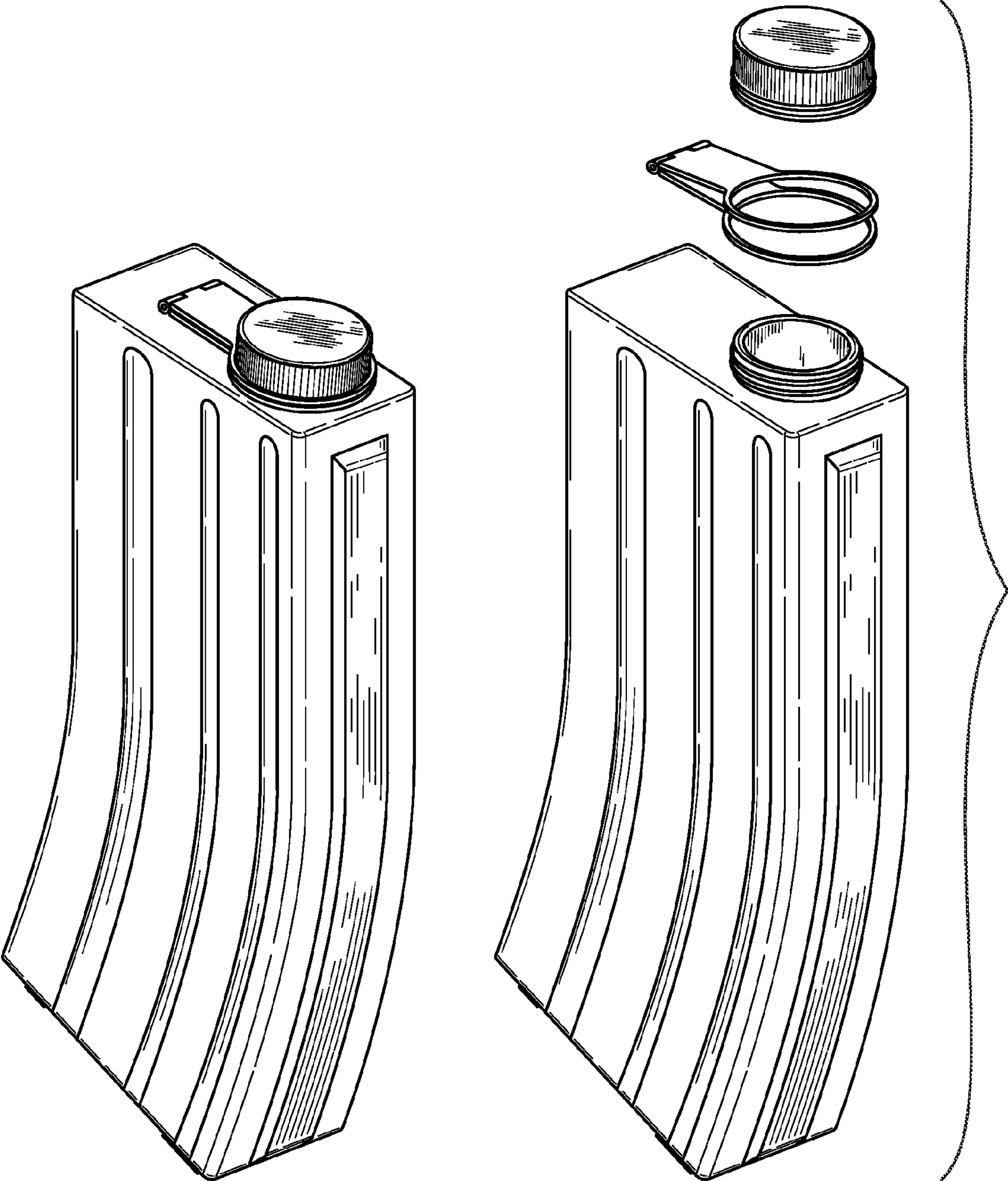


FIG. 1

FIG. 2

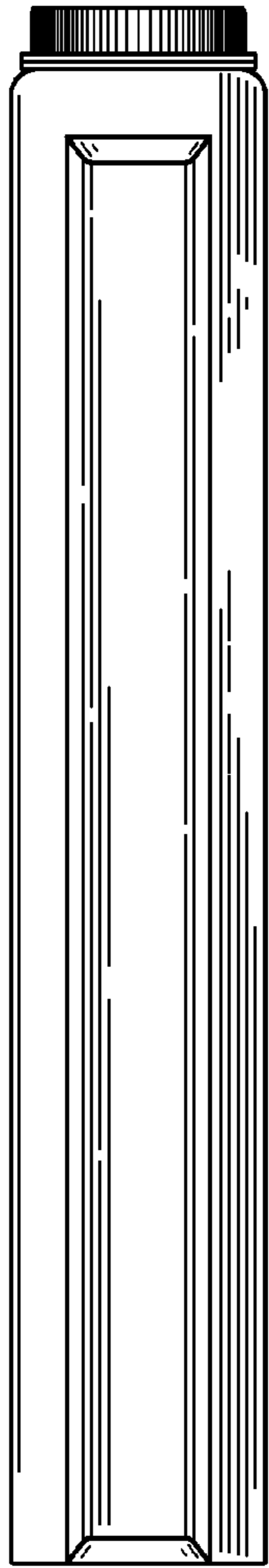


FIG. 3

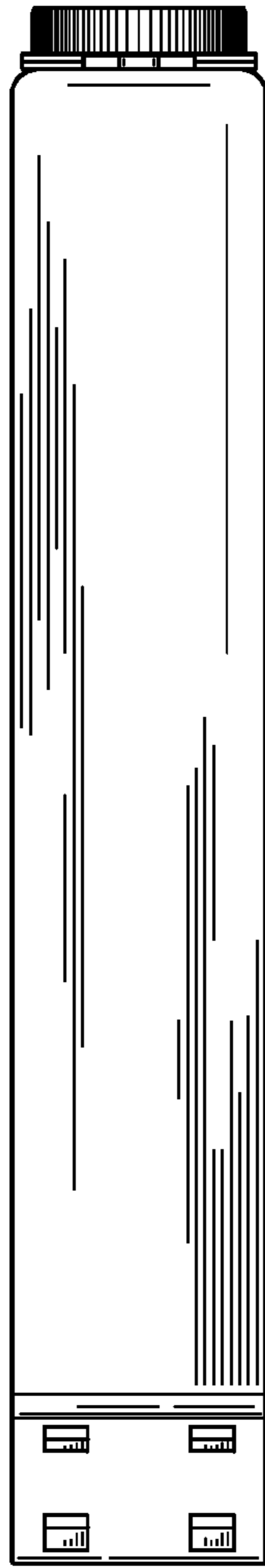


FIG. 4

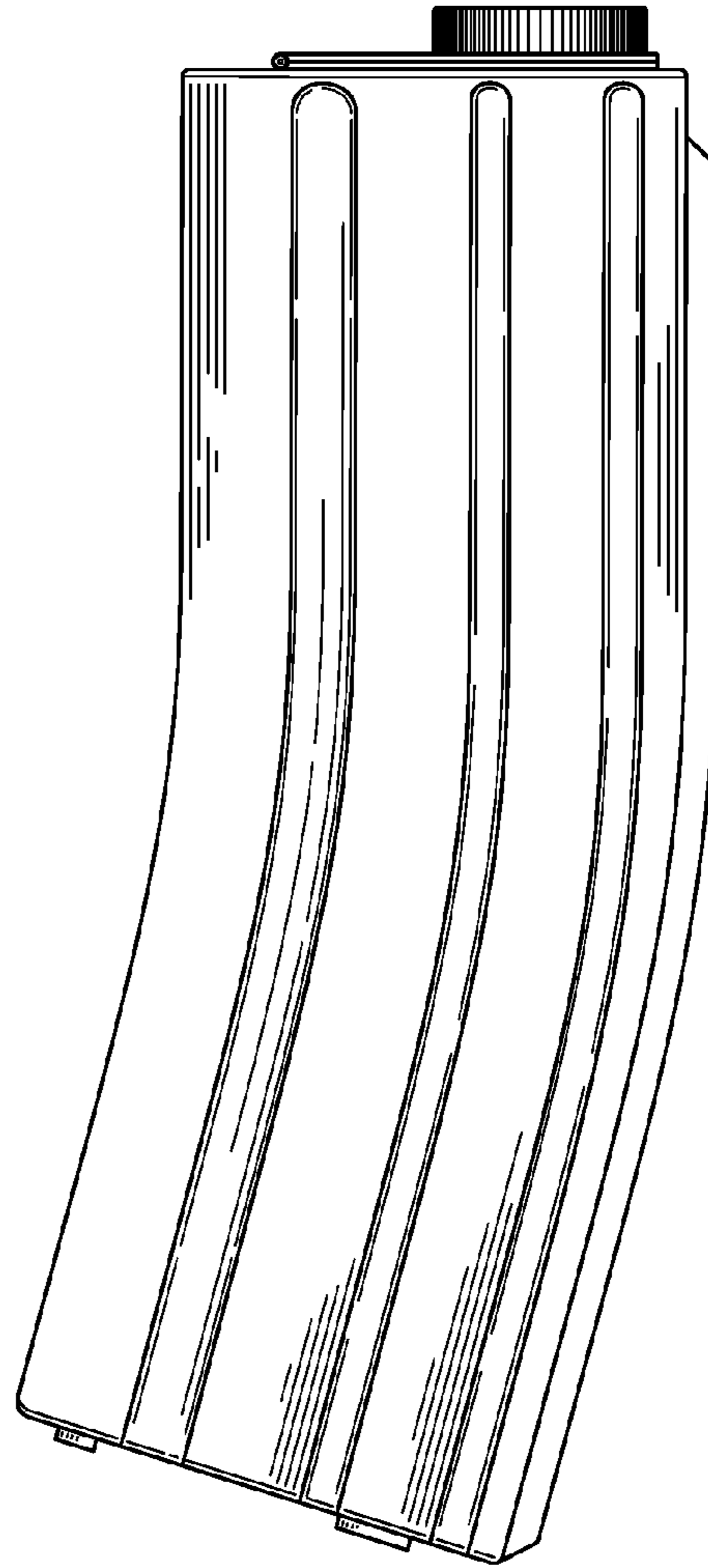


FIG. 5

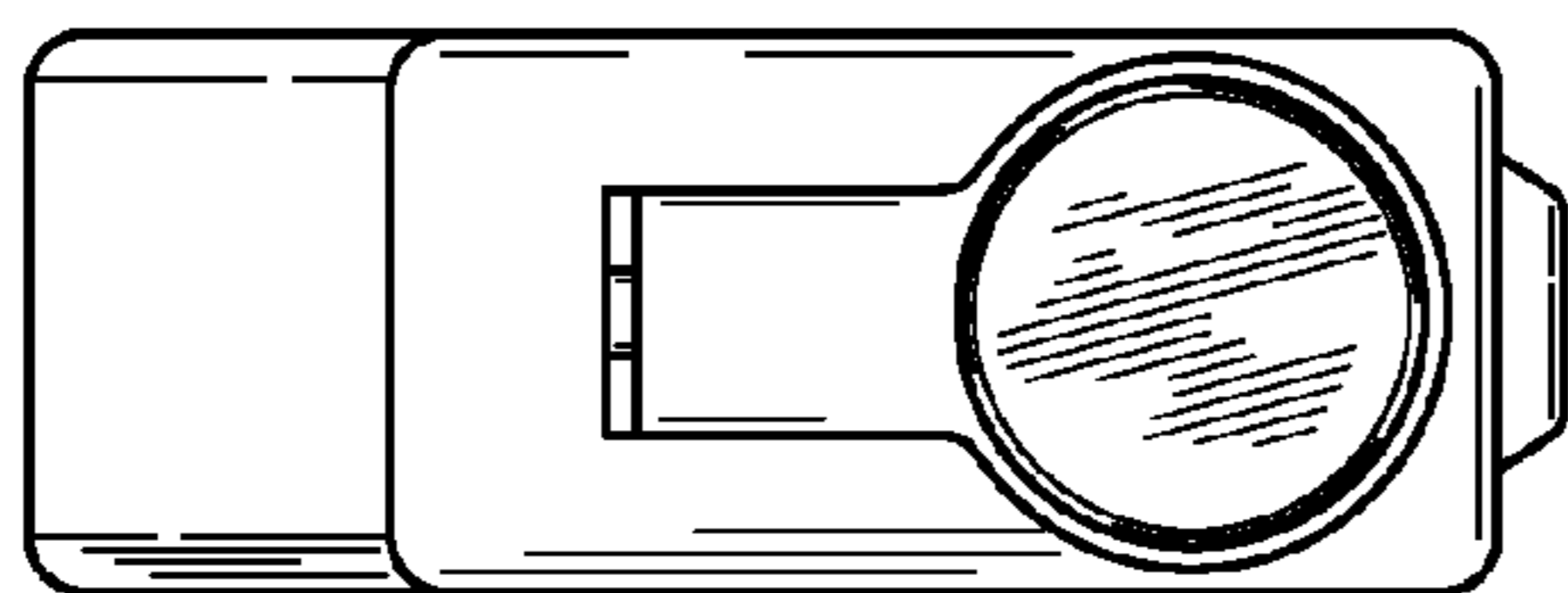


FIG. 6

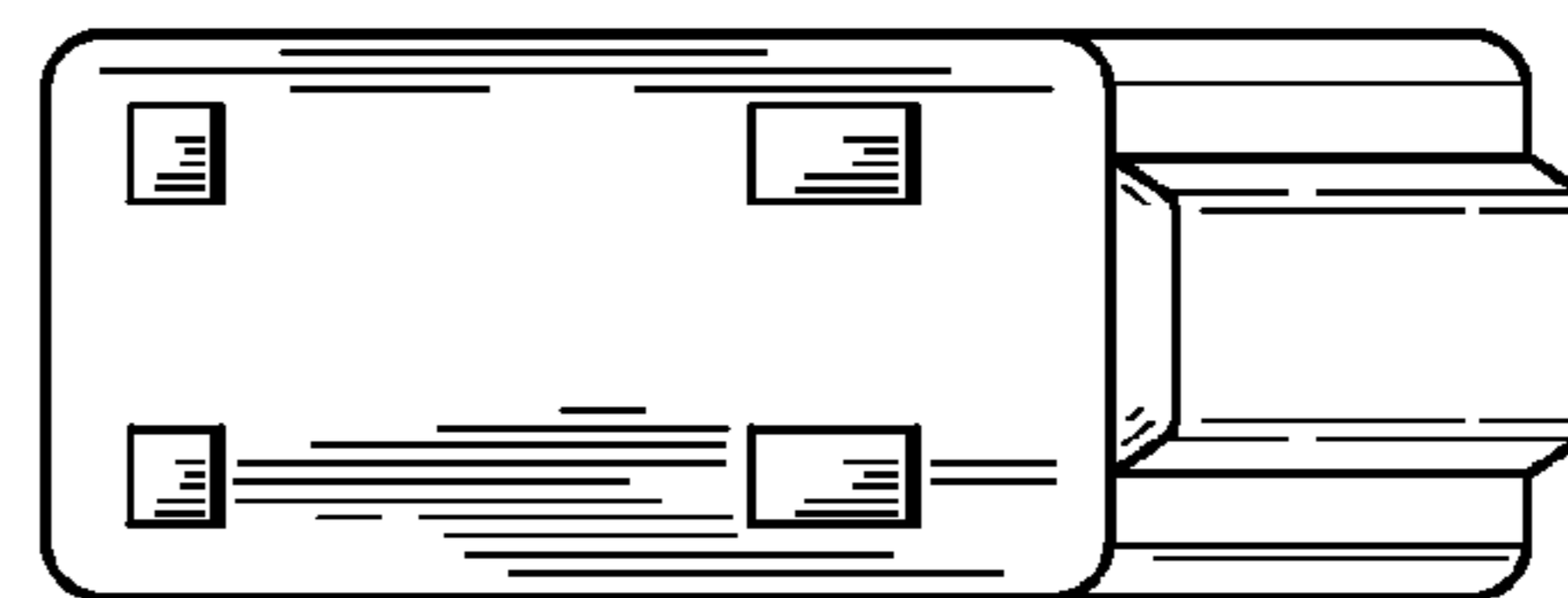


FIG. 7