



US00D635862S

(12) **United States Design Patent**
Mehdizadeh

(10) **Patent No.:** **US D635,862 S**

(45) **Date of Patent:** **** Apr. 12, 2011**

(54) **BOTTLE**

(75) **Inventor:** **Shahrad Rody Mehdizadeh**, Great Neck, NY (US)

(73) **Assignee:** **U.S. Nonwovens Corp.**, Brentwood, NY (US)

(**) **Term:** **14 Years**

(21) **Appl. No.:** **29/365,202**

(22) **Filed:** **Jul. 6, 2010**

(51) **LOC (9) Cl.** **09-01**

(52) **U.S. Cl.** **D9/557; D9/538; D9/558; D9/559**

(58) **Field of Classification Search** D9/516,
D9/520, 529-530, 537-540, 549-550, 553-555,
D9/557, 559-560, 563, 566-568, 570, 574-575;
215/379, 381-383; 220/660, 669-673, 675
See application file for complete search history.

(56) **References Cited**

U.S. PATENT DOCUMENTS

D75,448 S *	6/1928	Root	D9/558
D86,408 S	3/1932	Piazzoli		
D201,840 S *	8/1965	Hauser	D9/555
3,331,521 A *	7/1967	Paige	215/382
D284,550 S *	7/1986	Parrack	D9/538
D300,511 S *	4/1989	Cramer	D9/551
D306,262 S *	2/1990	Bit	D9/502
D369,556 S	5/1996	Lauder et al.		
5,632,397 A	5/1997	Fandoux et al.		
D381,274 S	7/1997	Luh et al.		
D382,806 S *	8/1997	Wilson et al.	D9/502
D386,407 S	11/1997	Gutting et al.		
D395,826 S	7/1998	Hygaard, Sr.		
D410,197 S	5/1999	Herrin et al.		
D411,457 S	6/1999	Ruda et al.		
D413,520 S	9/1999	Comper		
D414,700 S	10/1999	Zogg		
D424,446 S	5/2000	Silvers		

D447,422 S	9/2001	Peek		
D448,677 S	10/2001	Krich		
D448,997 S *	10/2001	Allen et al.	D9/520
D449,533 S	10/2001	Helps et al.		
D464,569 S	10/2002	Moore et al.		
D475,615 S	6/2003	Podlucky		
D477,226 S *	7/2003	Chirico et al.	D9/503
D487,564 S	3/2004	Beck et al.		
D496,281 S	9/2004	Trude		
D503,344 S	3/2005	Woolley et al.		
D504,069 S	4/2005	Gross et al.		
D517,918 S	3/2006	Colloud et al.		
D539,660 S	4/2007	Bunch		
D539,661 S	4/2007	Eble		

(Continued)

OTHER PUBLICATIONS

U.S. Appl. No. 29/363,751, filed Jun. 14, 2010, Mehdizadeh.

Primary Examiner — Ian Simmons

Assistant Examiner — Dana L Sipos

(74) *Attorney, Agent, or Firm* — Hasse & Nesbitt LLC;
Donald E. Hasse

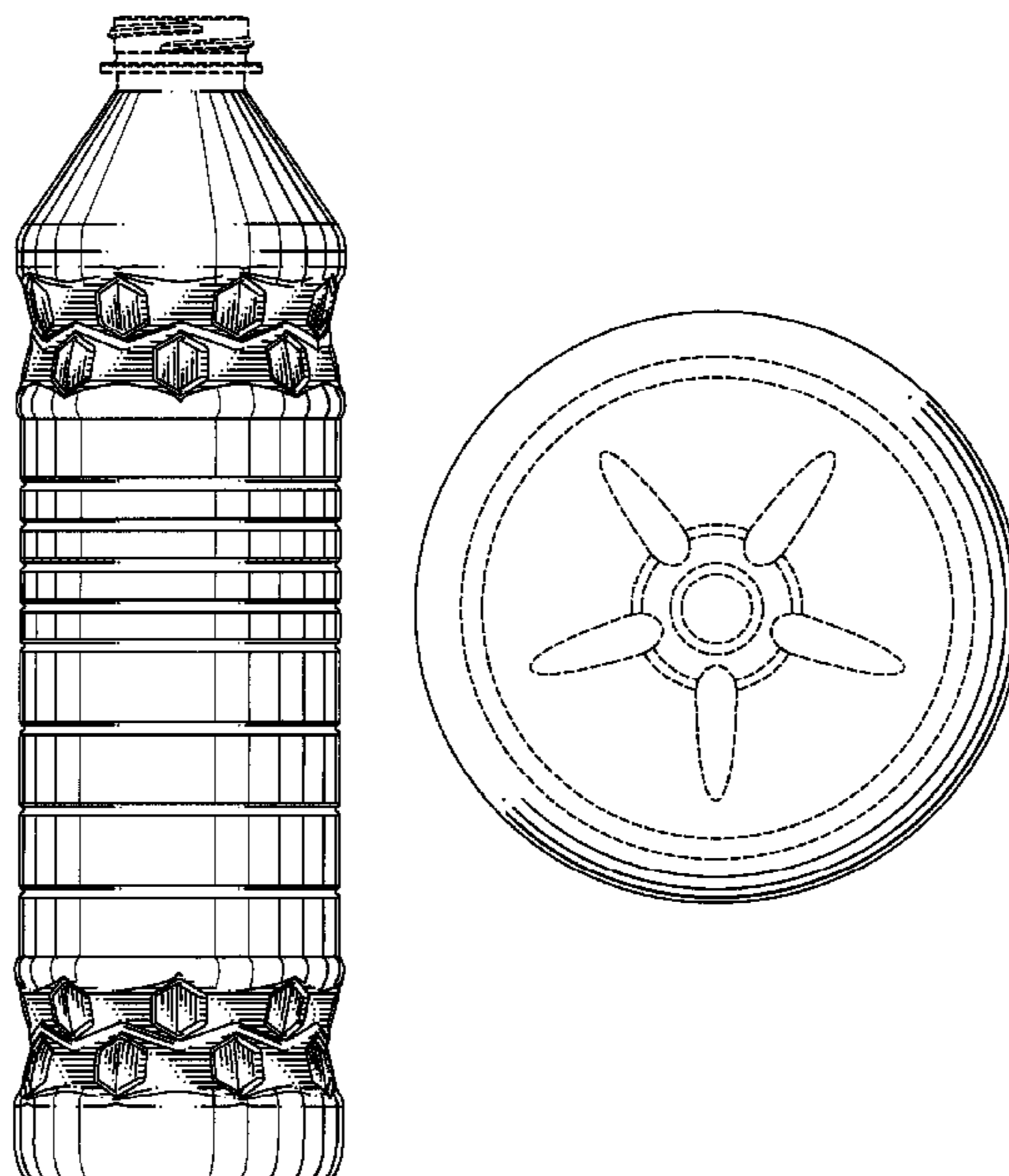
(57) **CLAIM**

I claim the ornamental design for a bottle, as shown and described.

DESCRIPTION

FIG. 1 is a top perspective view of the bottle;
FIG. 2 is a front elevational view thereof;
FIG. 3 is a back elevational view thereof;
FIG. 4 is a left side elevational view thereof;
FIG. 5 is a right side elevational view thereof;
FIG. 6 is a top plan view thereof; and,
FIG. 7 is a bottom plan view thereof.
The broken lines shown in the drawings are for illustrative purposes only and form no part of the claimed design.

1 Claim, 6 Drawing Sheets



US D635,862 S

Page 2

U.S. PATENT DOCUMENTS

D545,684 S	7/2007	DeMaso et al.	D598,778 S	8/2009	Lepoitevin
D547,667 S	7/2007	DeMaso et al.	D598,779 S	8/2009	Lepoitevin
D554,996 S	11/2007	Laupie	D603,713 S	11/2009	James et al.
D559,695 S	1/2008	Lesueur	D611,345 S	3/2010	Bangi et al.
D586,224 S	2/2009	Darr et al.	D611,816 S	3/2010	Bangi et al.
D587,582 S	3/2009	Matsuoka et al.	D614,034 S	4/2010	Braun et al.
D591,602 S	5/2009	Lepoitevin	D614,039 S	4/2010	Arnell
D596,040 S	7/2009	Lepoitevin			

* cited by examiner

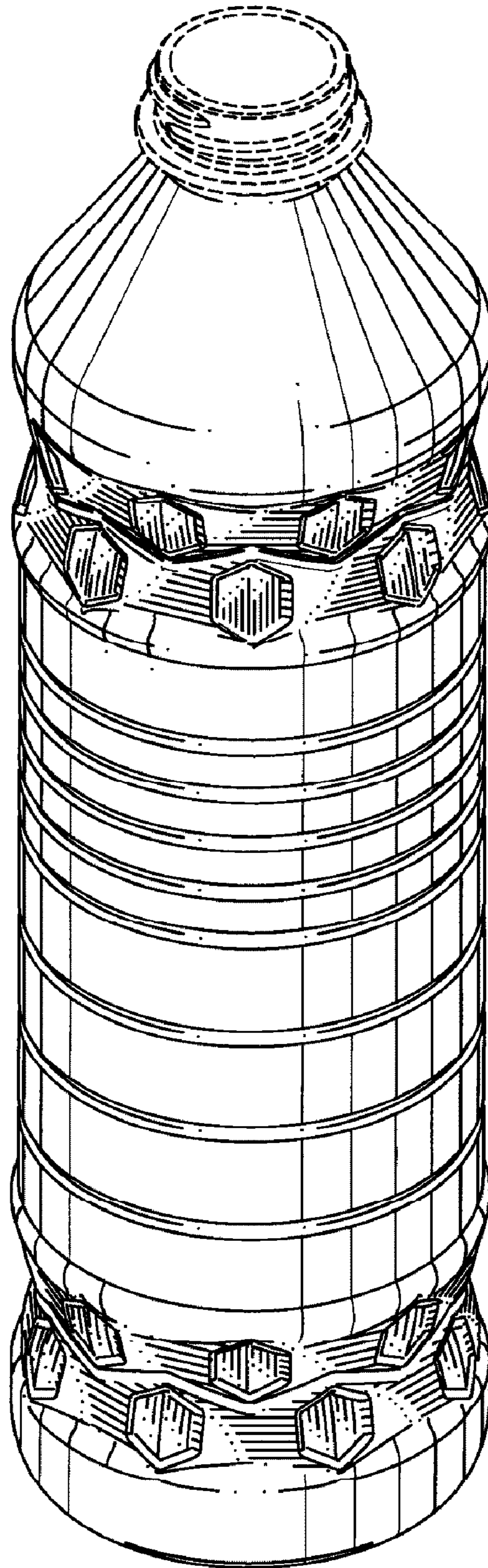


FIG. 1

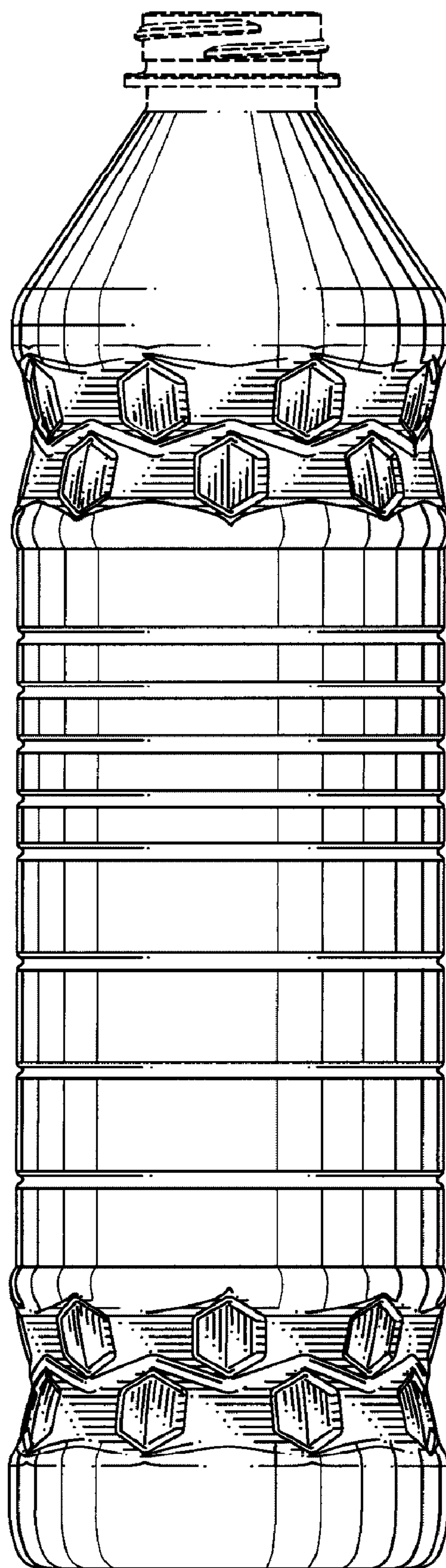


FIG. 2

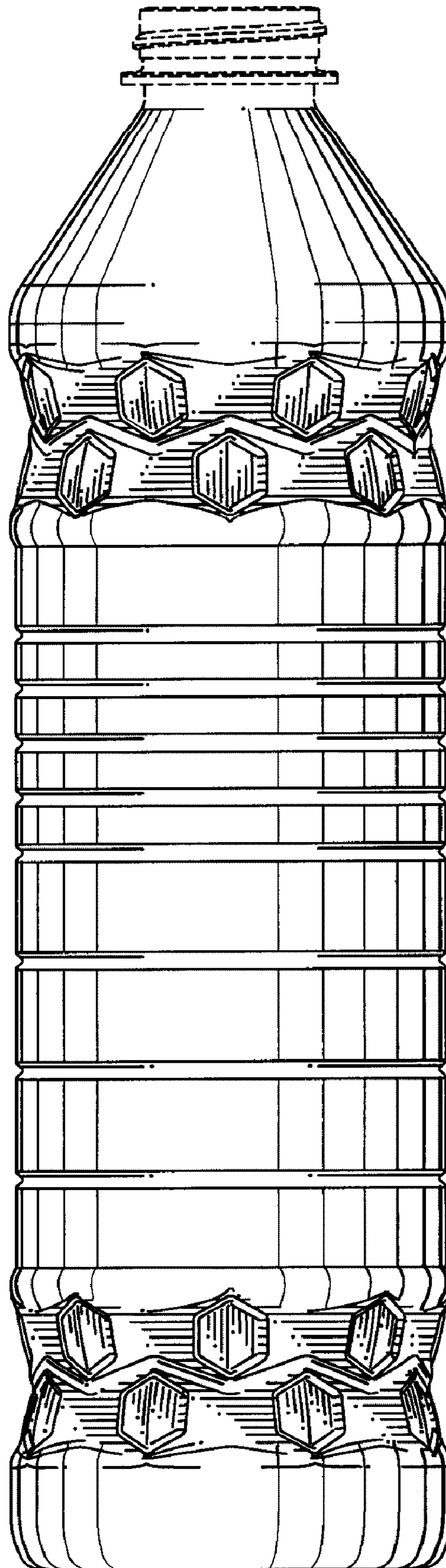


FIG. 3

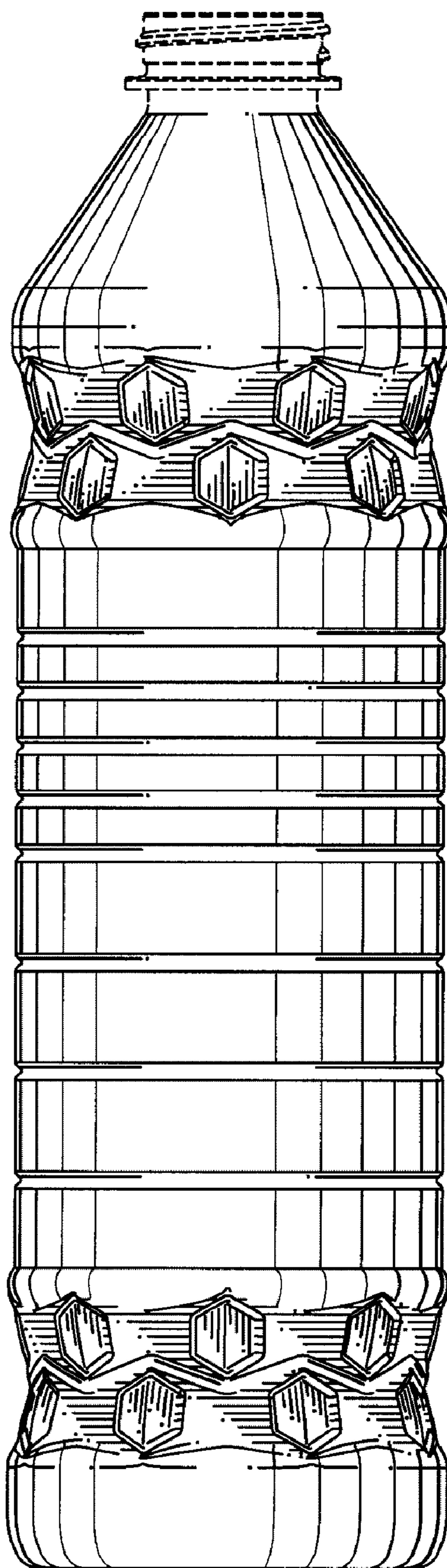


FIG. 4

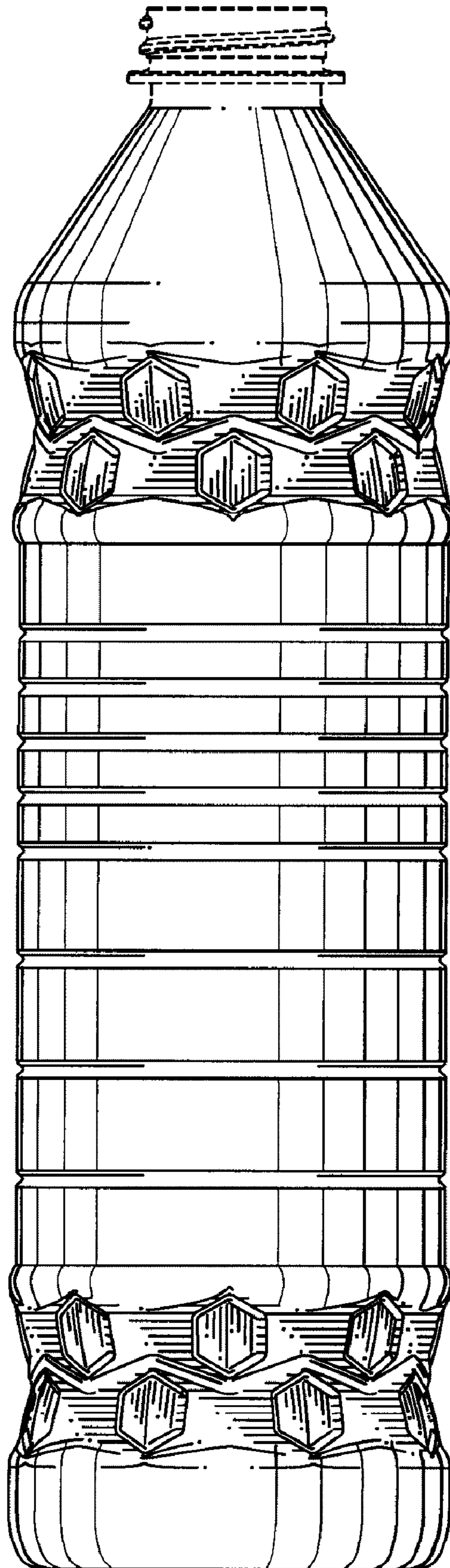


FIG. 5

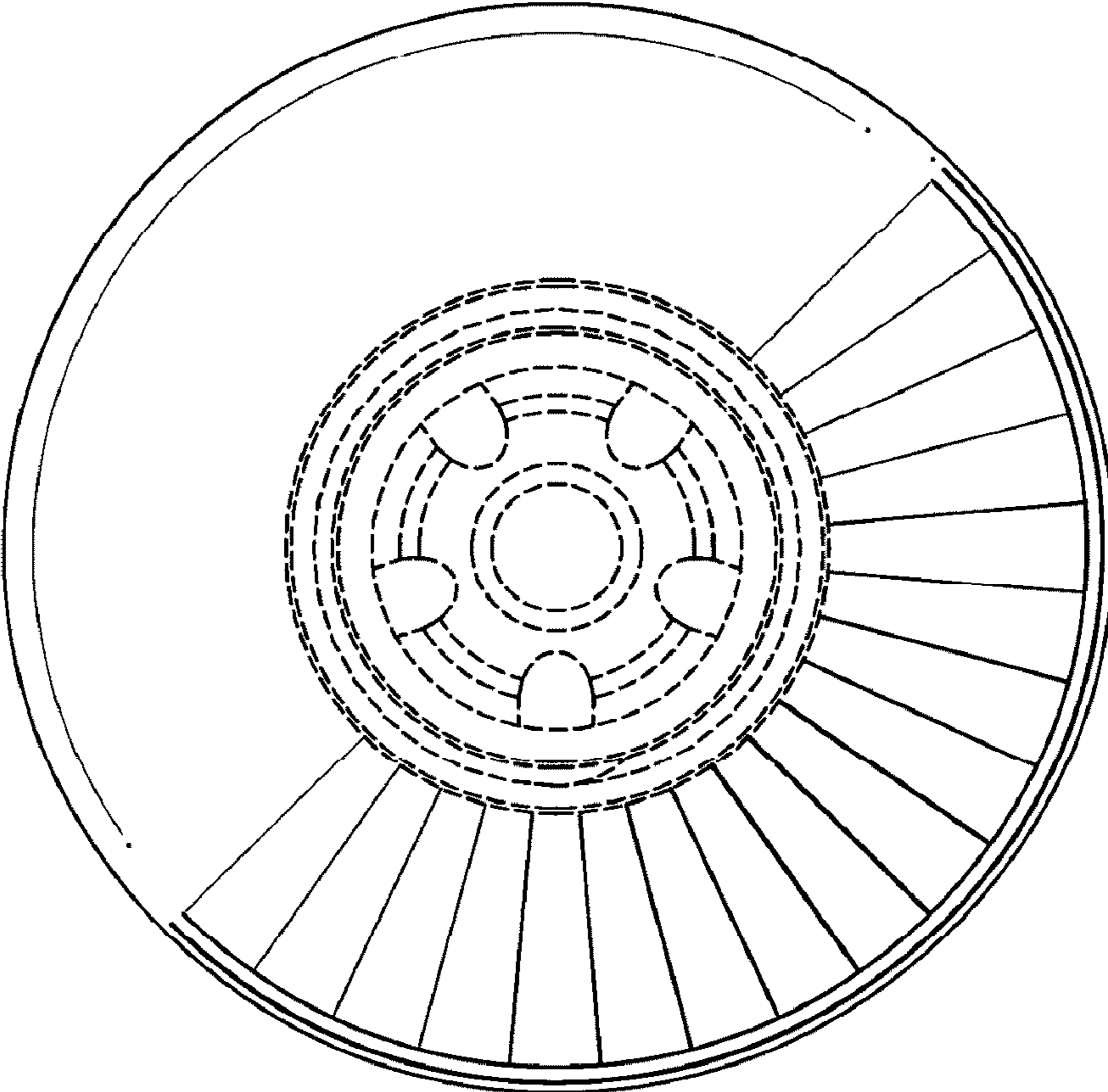


FIG. 6

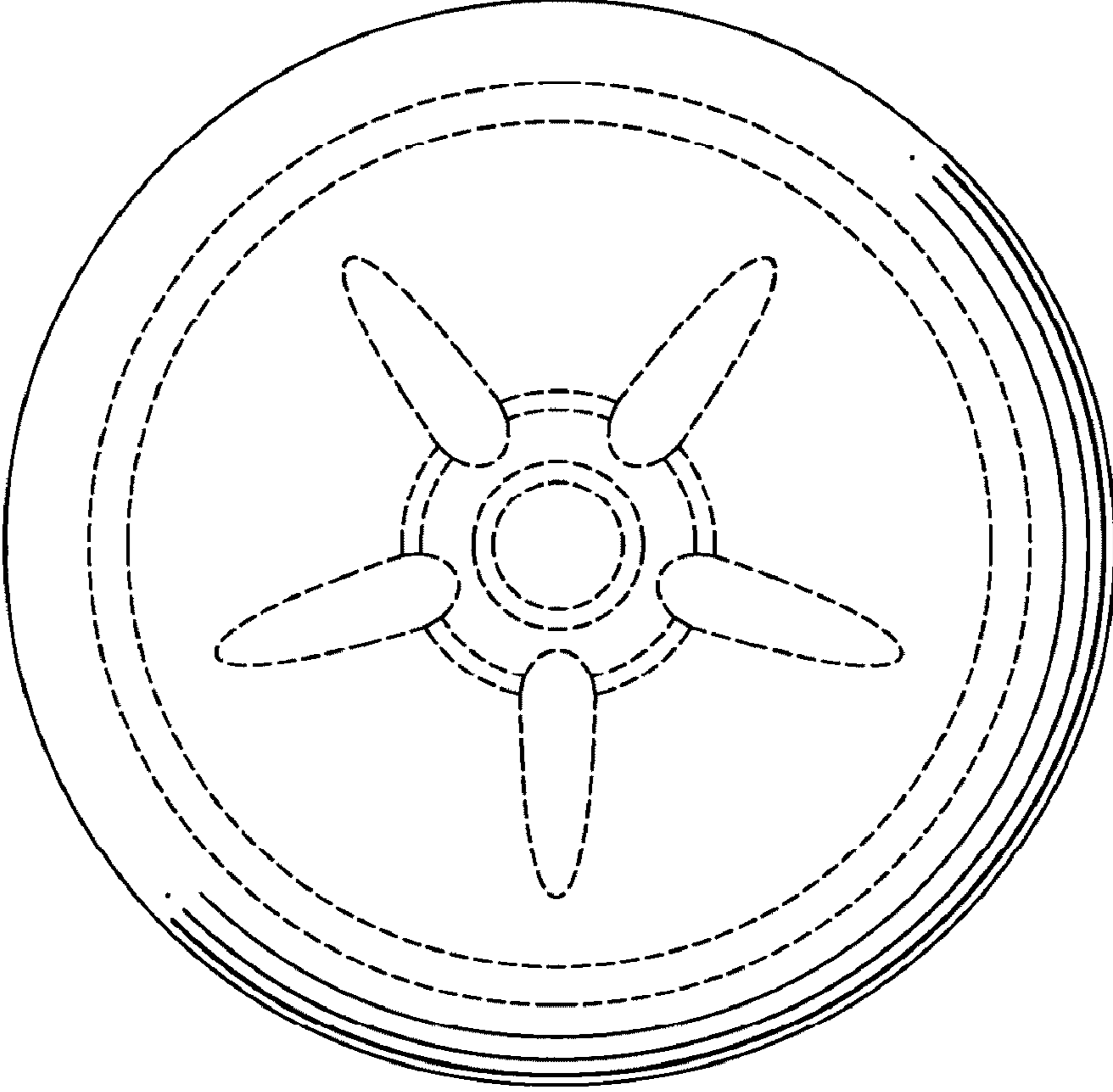


FIG. 7