



US00D635859S

(12) **United States Design Patent**
Kissinger et al.

(10) **Patent No.:** **US D635,859 S**

(45) **Date of Patent:** **** Apr. 12, 2011**

(54) **CONTAINER BODY PORTION**

(75) Inventors: **Jeffrey Kissinger**, Wadsworth, OH (US);
Sarah Perez, Akron, OH (US)

(73) Assignee: **Plastipak Packaging, Inc.**, Plymouth,
MI (US)

(**) Term: **14 Years**

(21) Appl. No.: **29/378,346**

(22) Filed: **Nov. 3, 2010**

Related U.S. Application Data

(62) Division of application No. 29/361,226, filed on May
7, 2010, now Pat. No. Des. 630,516.

(51) **LOC (9) Cl.** **09-01**

(52) **U.S. Cl.** **D9/516**

(58) **Field of Classification Search** D9/434,
D9/516, 523, 530, 541, 543, 565, 569, 570,
D9/571, 672, 675; 215/379, 381-385; 220/660,
220/669

See application file for complete search history.

(56) **References Cited**

U.S. PATENT DOCUMENTS

D195,064 S	4/1963	Dike	
D195,600 S	7/1963	Neyman	
D201,214 S	5/1965	Earl	
3,232,495 A	2/1966	Schneider	
D273,768 S *	5/1984	Sedam et al.	D9/523
D289,376 S	4/1987	Nemits	
D296,667 S *	7/1988	Salter	D9/523
4,832,211 A	5/1989	Matthews et al.	
D302,522 S	8/1989	Carboneau et al.	
D303,628 S	9/1989	Beaver	
4,877,142 A	10/1989	Doering	
D309,100 S	7/1990	Beaver	
4,949,861 A	8/1990	Cochran	
4,957,209 A	9/1990	Helin	
D343,794 S *	2/1994	D'Amico et al.	D9/530

D347,579 S *	6/1994	Hann et al.	D9/572
D354,230 S *	1/1995	Hoyt	D9/543
D354,684 S	1/1995	Lathrop et al.	
D354,916 S *	1/1995	Park	D9/523
D356,262 S	3/1995	Lathrop et al.	
D357,188 S	4/1995	Stockwell et al.	
D376,978 S	12/1996	Silvers et al.	
D387,673 S	12/1997	Crawford	
5,915,578 A	6/1999	Burt	
5,918,753 A	7/1999	Ogg et al.	
D415,689 S	10/1999	Voight et al.	
5,979,696 A	11/1999	Bode et al.	
5,988,460 A	11/1999	Brecheisen et al.	
6,070,753 A *	6/2000	Hirst et al.	220/674
D429,644 S	8/2000	Hughes	
D446,726 S	8/2001	Hall et al.	
D467,810 S	12/2002	Gilmore et al.	
D477,783 S	7/2003	Gilmore et al.	
D480,832 S	10/2003	Angeletta	

(Continued)

Primary Examiner — Stella M Reid

Assistant Examiner — Elizabeth J Oswecki

(74) *Attorney, Agent, or Firm* — Dykema Gossett PLLC

(57) **CLAIM**

The ornamental design for a container body portion, as shown
and described.

DESCRIPTION

FIG. 1 is a top, front and right side perspective view of a
container body portion showing our new design;

FIG. 2 is a front elevational view thereof;

FIG. 3 is a rear elevational view thereof;

FIG. 4 is a right side view thereof;

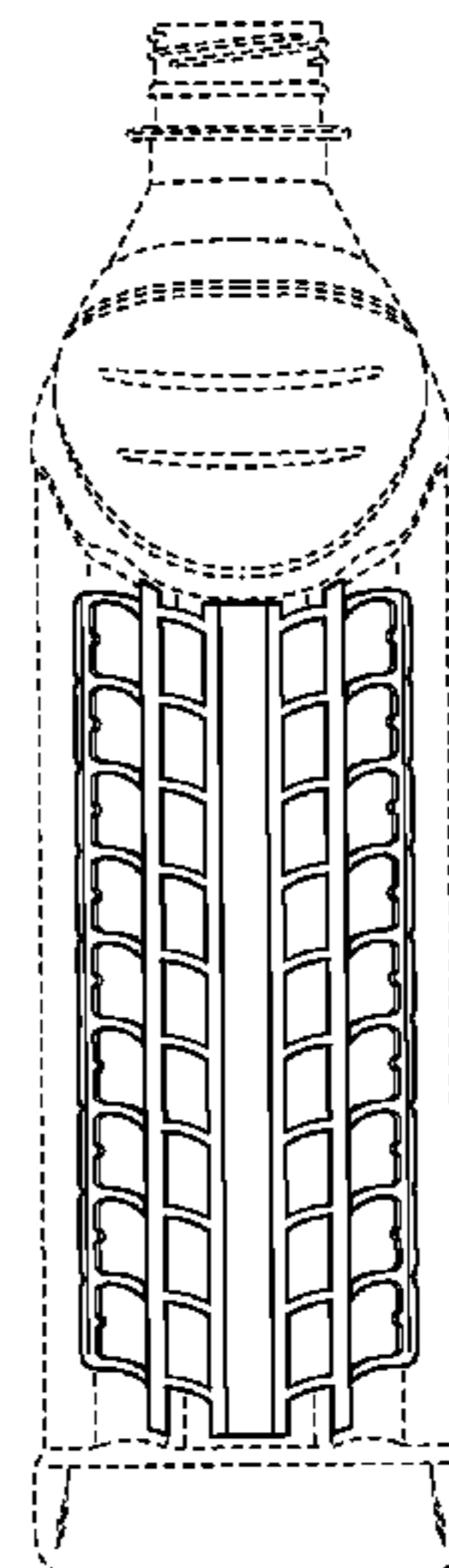
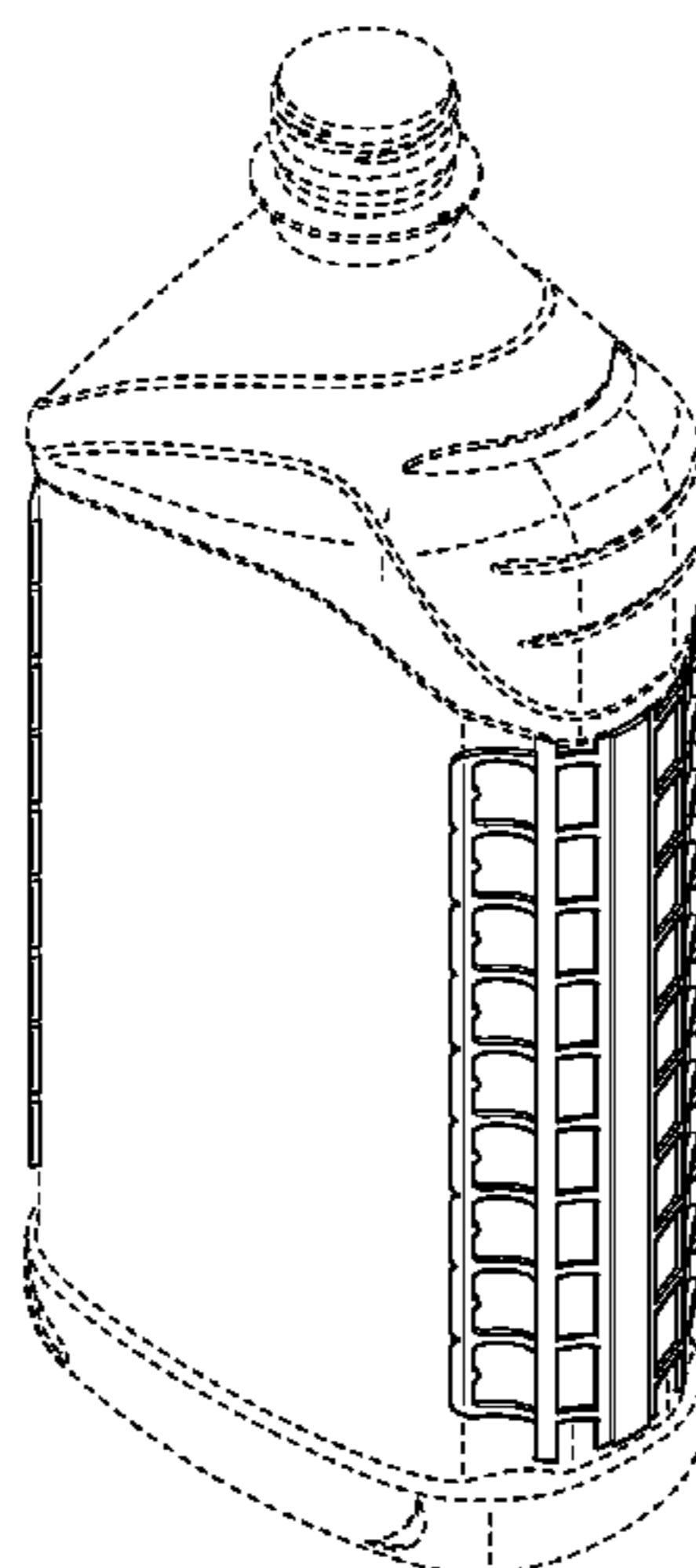
FIG. 5 is a left side view thereof;

FIG. 6 is a top plan view thereof; and,

FIG. 7 is a bottom plan view thereof.

The dashed line showing in the drawings is for illustrative
purposes only and forms no part of the claimed design. The
dot-dash-dot line showing in the drawings defines the bound-
ary of the claim and forms no part of the claimed design.

1 Claim, 6 Drawing Sheets



US D635,859 S

Page 2

U.S. PATENT DOCUMENTS

D485,187 S	1/2004	Stinedurf	
D487,874 S	3/2004	Syrek	
D496,863 S	* 10/2004	Aldrey et al.	D9/523
D501,637 S	* 2/2005	Ferguson et al.	D9/563
D508,407 S	8/2005	Busch et al.	
D510,870 S	* 10/2005	Kelly et al.	D9/523
D533,303 S	12/2006	Angeletta	
D540,177 S	* 4/2007	Lobo	D9/542
D543,852 S	6/2007	Warren	
D565,415 S	4/2008	Lablaine	
D568,748 S	5/2008	Harrison et al.	
D581,283 S	* 11/2008	Lobo	D9/542
D595,579 S	7/2009	Feen	
D599,212 S	* 9/2009	DeSico et al.	D9/565
D599,213 S	* 9/2009	DeSico et al.	D9/565
D600,130 S	9/2009	Feen	
D600,561 S	9/2009	Feen	
D600,564 S	9/2009	da Barp	
D604,616 S	11/2009	Farrell et al.	
D605,048 S	* 12/2009	Smith, III	D9/523
D612,244 S	3/2010	Farrell et al.	
D613,172 S	* 4/2010	Masters et al.	D9/523
D614,500 S	* 4/2010	Fernandez et al.	D9/541
D614,958 S	5/2010	Smith et al.	
D614,962 S	* 5/2010	Fernandez et al.	D9/530
D619,461 S	7/2010	Cummings et al.	
D619,471 S	7/2010	Graunstadt et al.	
D621,265 S	8/2010	Cummings et al.	
D621,274 S	* 8/2010	Bouthillon et al.	D9/543

* cited by examiner

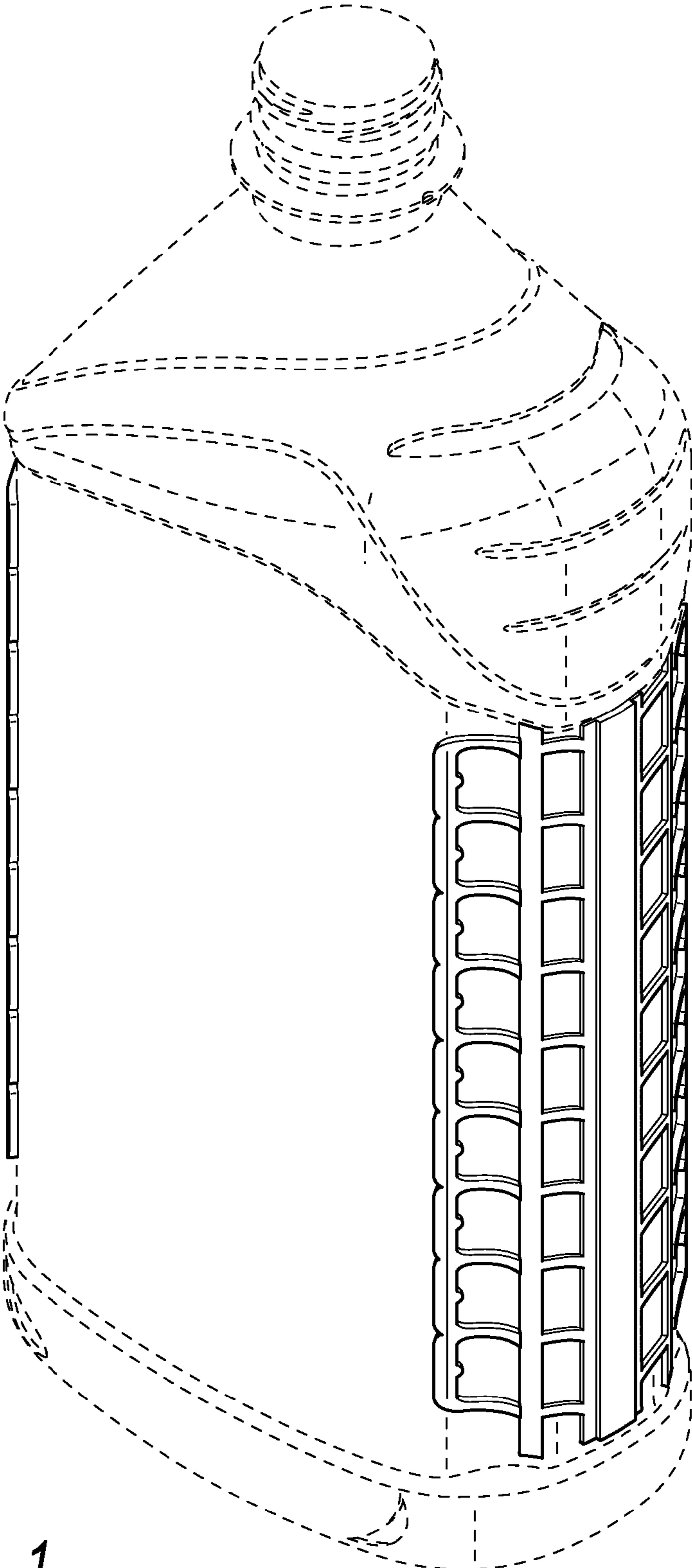


FIG. 1

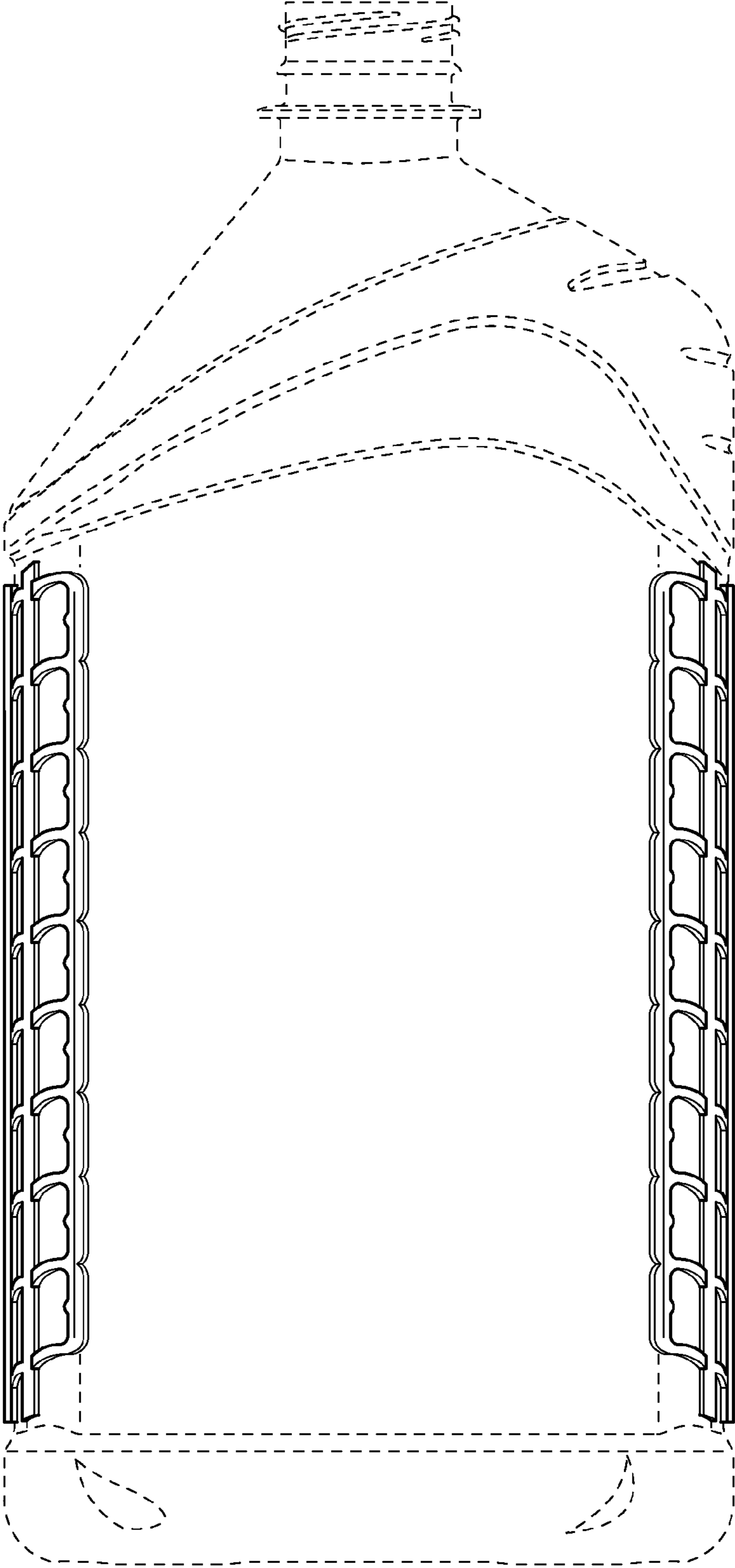


FIG. 2

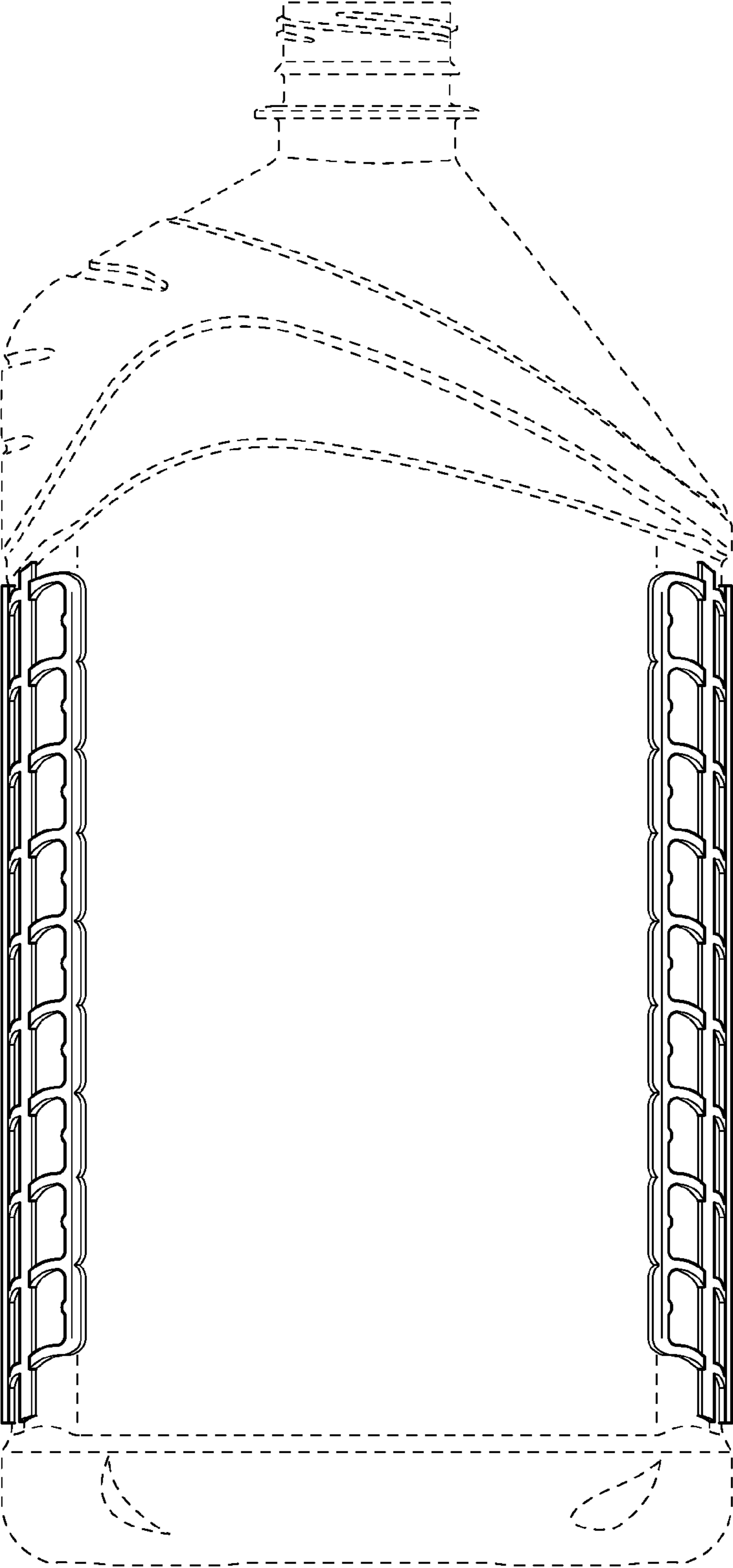


FIG. 3

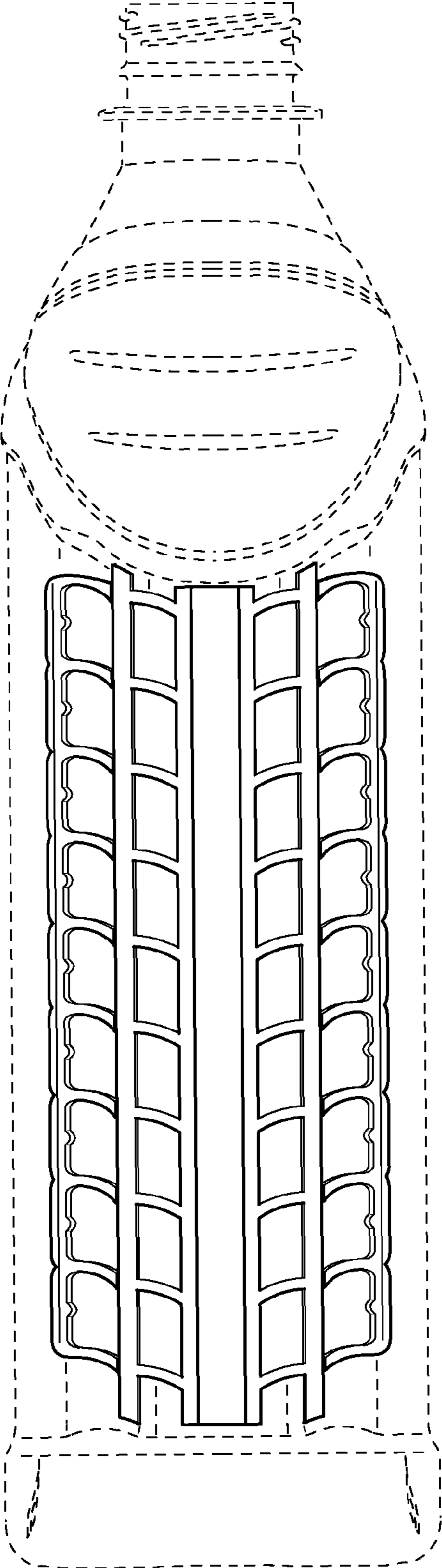


FIG. 4

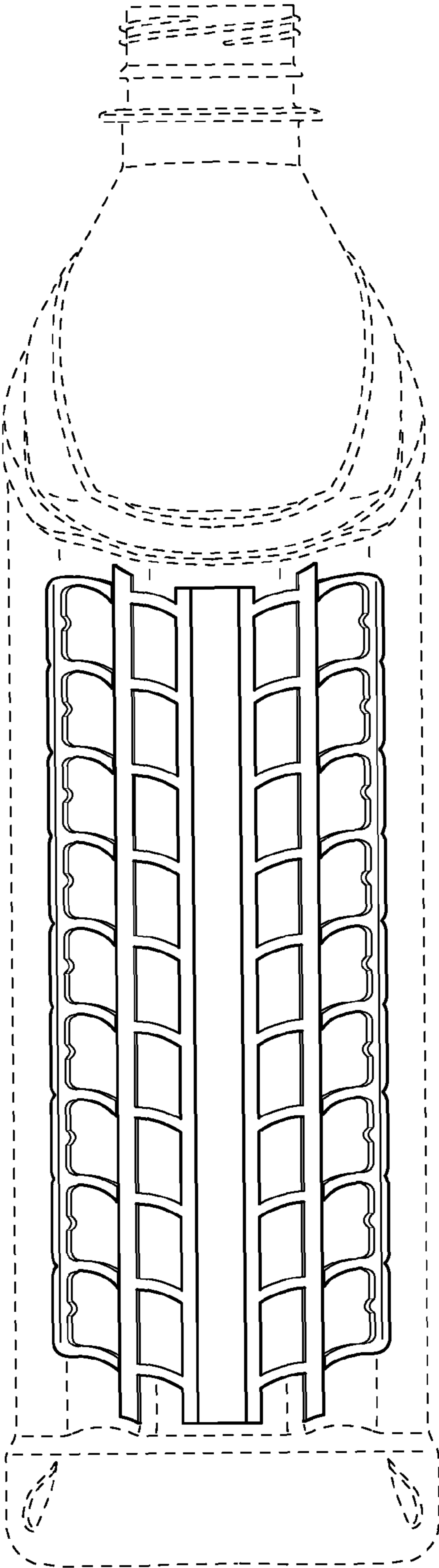


FIG. 5

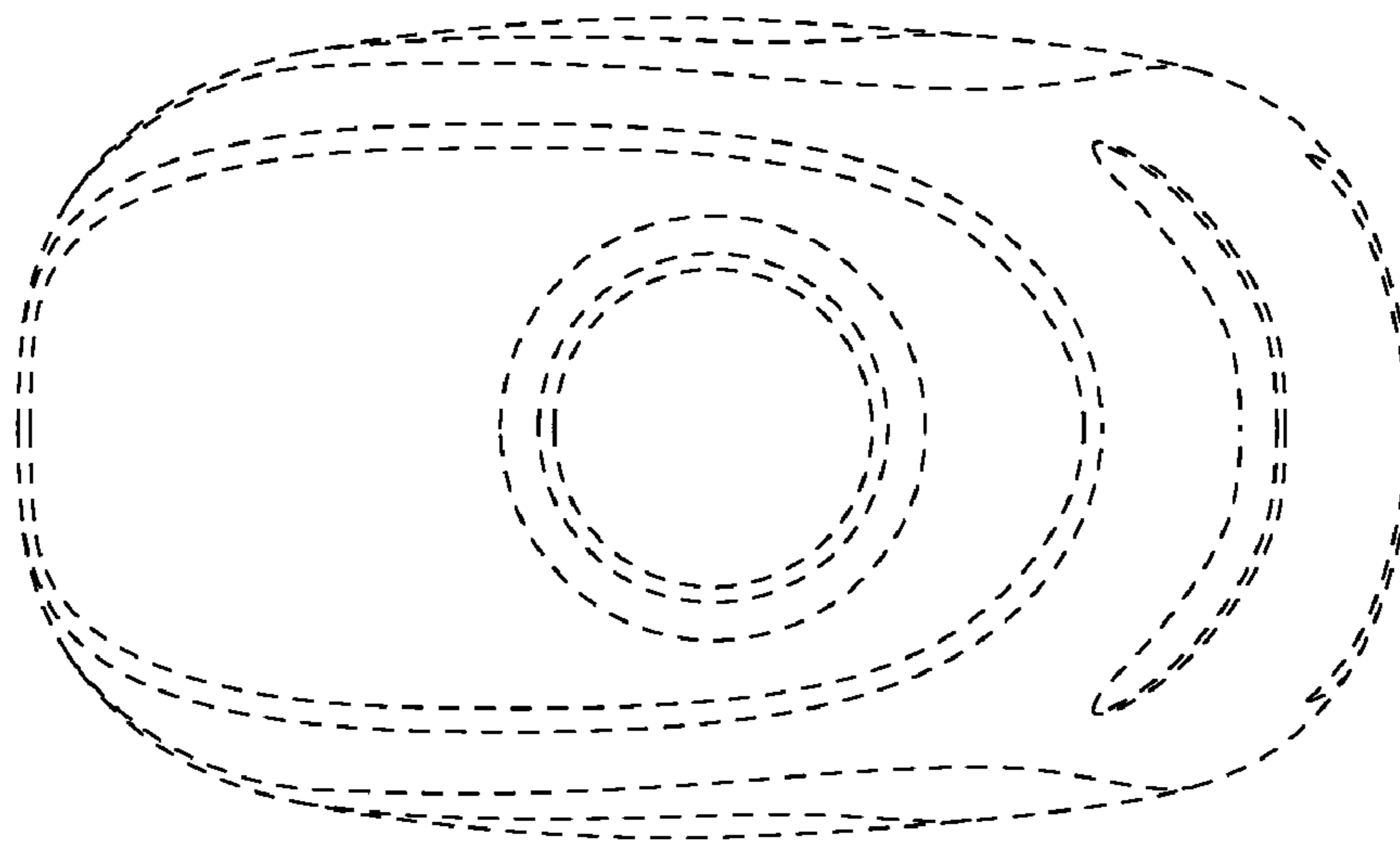


FIG. 6

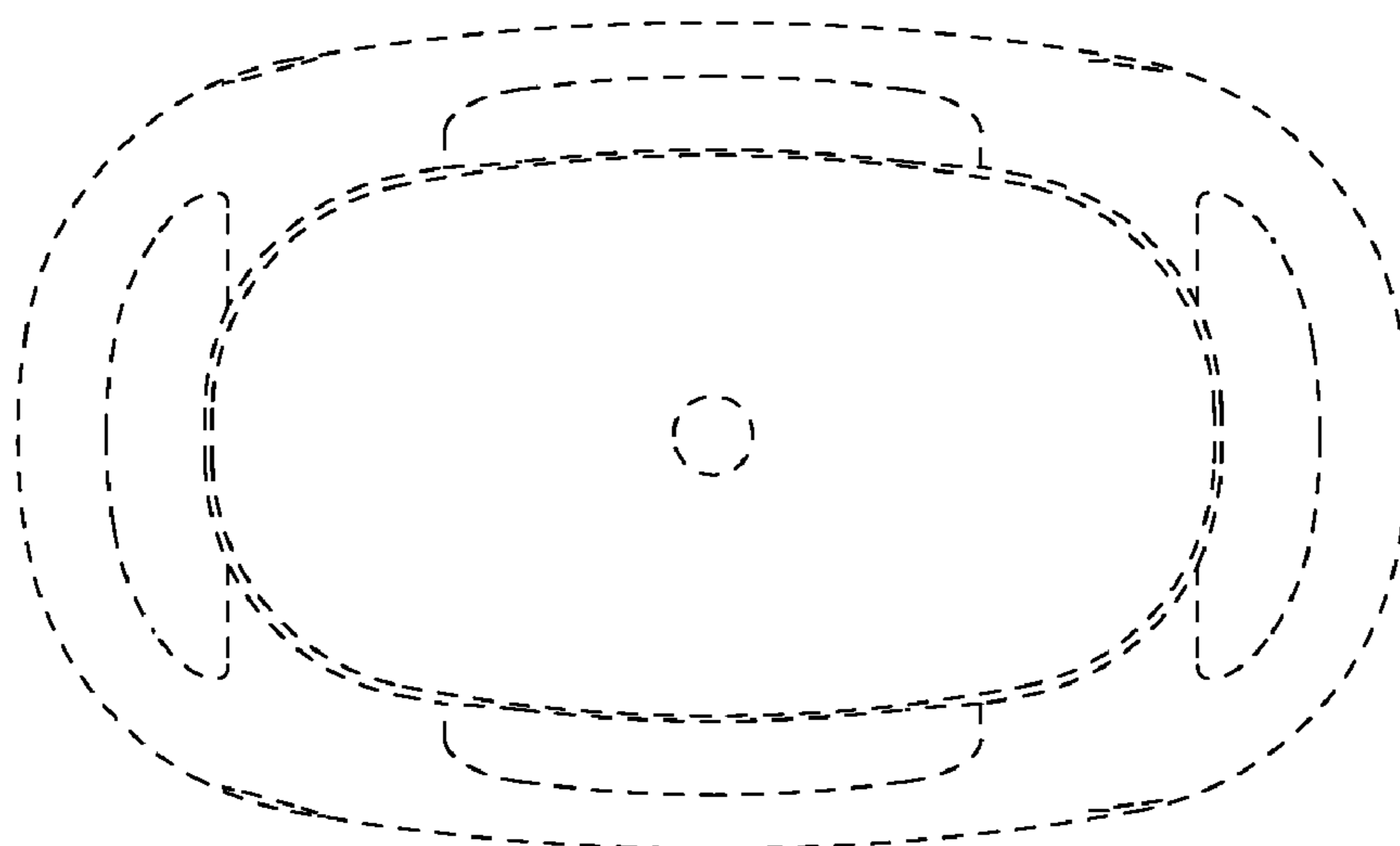


FIG. 7