



US00D635855S

(12) **United States Design Patent**
Smith et al.

(10) **Patent No.:** **US D635,855 S**
(45) **Date of Patent:** **** Apr. 12, 2011**

(54) **DRINK CUP LID**

(75) Inventors: **Stephen A. Smith**, Naperville, IL (US);
Kevin Ray Smith, Round Lake Beach,
IL (US); **Robert Joseph Schaefer**,
Baltimore, MD (US); **Bradley F.**
Rademaker, LaGrange, IL (US)

(73) Assignee: **Solo Cup Operating Corporation**, Lake
Forest, IL (US)

(**) Term: **14 Years**

(21) Appl. No.: **29/379,016**

(22) Filed: **Nov. 12, 2010**

Related U.S. Application Data

(62) Division of application No. 29/239,152, filed on Sep.
27, 2005, now abandoned.

(51) **LOC (9) Cl.** **09-07**

(52) **U.S. Cl.** **D9/447; D9/454**

(58) **Field of Classification Search** D9/454,
D9/447, 438, 435; D7/392.1; 220/719, 713,
220/712, 711, 254.3, 254.1, 253
See application file for complete search history.

(56) **References Cited**

U.S. PATENT DOCUMENTS

1,725,393 A	8/1929	Cone	
D181,109 S	10/1957	Jocelyn	
D209,483 S	12/1967	Frank	
3,994,411 A	11/1976	Efelt et al.	
4,138,033 A	2/1979	Payne et al.	
D255,530 S *	6/1980	Daenen et al. D10/46.3
4,319,692 A	3/1982	Gundlach	
4,350,260 A	9/1982	Prueher	
4,441,624 A	4/1984	Soklowski	
4,460,103 A	7/1984	Rama et al.	
4,579,245 A	4/1986	Narushko	

4,589,569 A	5/1986	Clements
4,615,459 A	10/1986	Clements
4,619,372 A	10/1986	McFarland
D287,919 S	1/1987	Clements
4,753,365 A	6/1988	Seppala
D299,010 S	12/1988	Wall
4,938,379 A	7/1990	Kellner
4,978,024 A	12/1990	Newman et al.
5,253,781 A	10/1993	Van Melle et al.
5,348,181 A	9/1994	Smith et al.
5,398,843 A	3/1995	Warden et al.
D368,624 S	4/1996	Forrer
5,588,561 A	12/1996	Ness
5,624,053 A	4/1997	Freek et al.
D379,928 S	6/1997	Freek et al.

(Continued)

OTHER PUBLICATIONS

Solo #TLB316-007 Black Plastic Travel Lid 1000C/S solo-tlb316-
0007-12-16-20-oz-bl.pdf From the Internet Dec. 29, 2010.*

(Continued)

Primary Examiner — Susan Bennett Hattan

(74) *Attorney, Agent, or Firm* — Banner & Witcoff, Ltd.

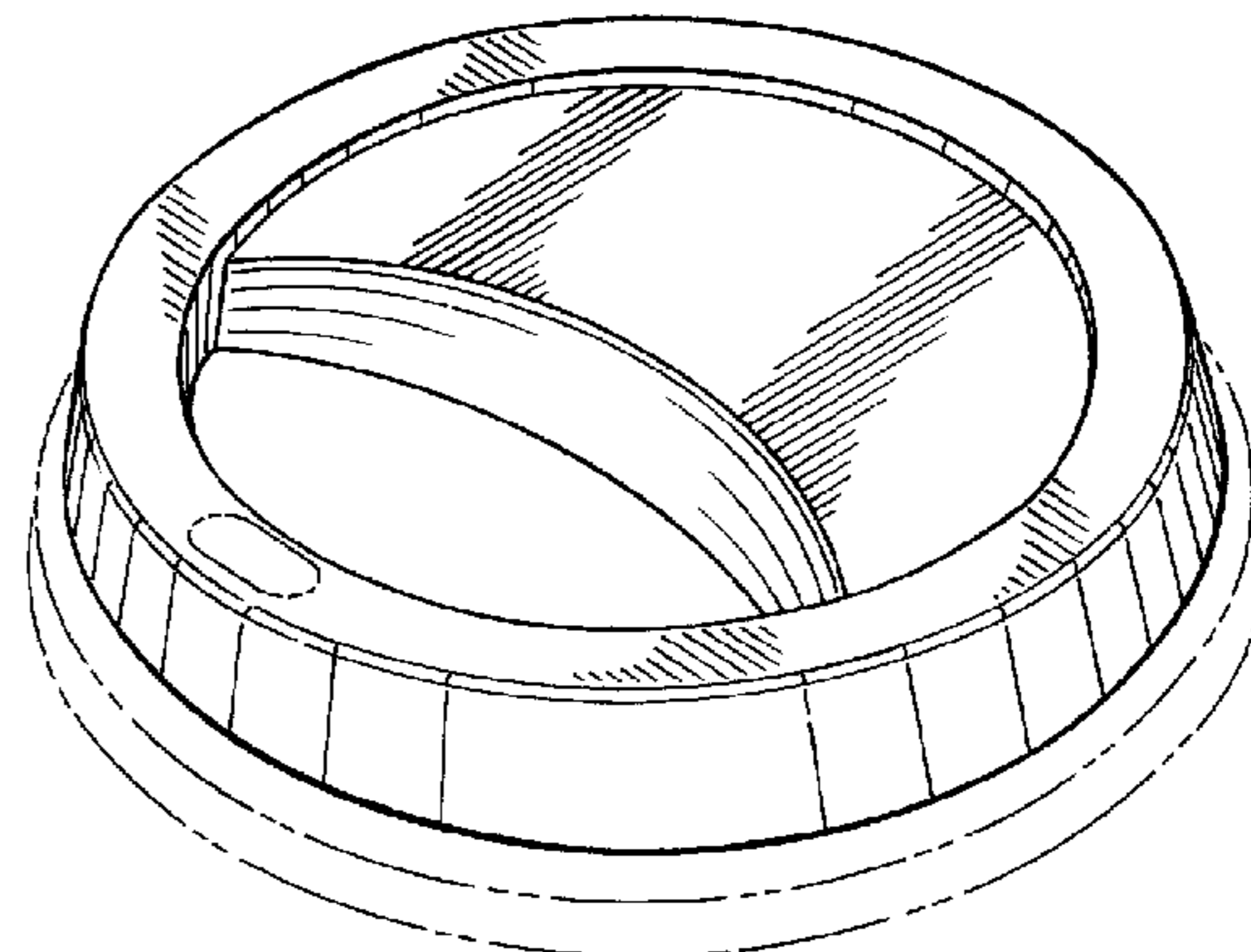
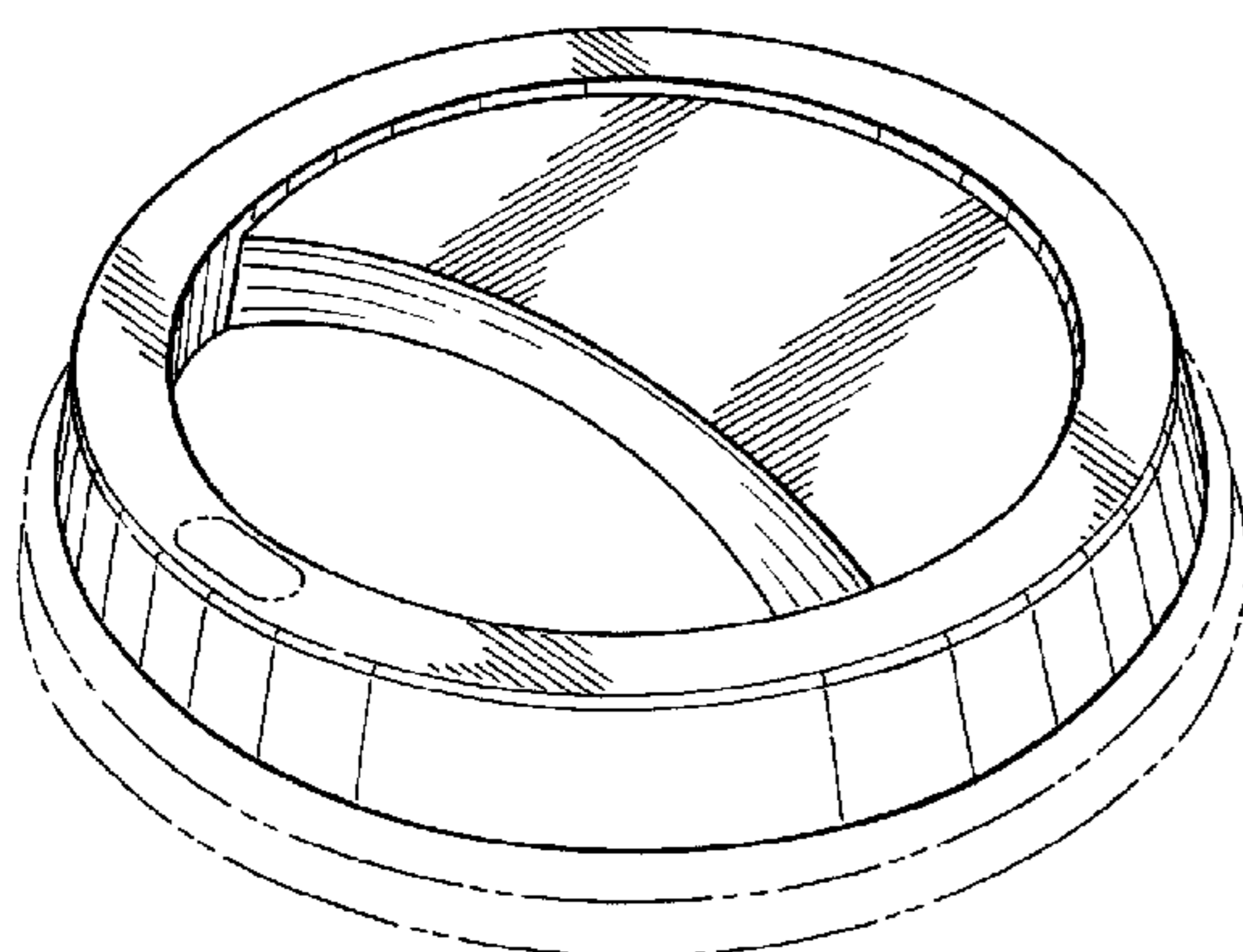
(57) **CLAIM**

The ornamental design for a drink cup lid, as shown and
described.

DESCRIPTION

FIG. 1 is a top perspective view of a drink cup lid showing a
first embodiment of our new design;
FIG. 2 is a top plan view of the lid shown in FIG. 1;
FIG. 3 is a top perspective view of a drink cup lid showing a
second embodiment of our new design; and,
FIG. 4 is a top plan view of the lid shown in FIG. 3.
The broken lines showing the remainder of the drink cup lid
are for environmental purposes only and form no part of the
claimed design. The bottom view is not claimed.

1 Claim, 2 Drawing Sheets



U.S. PATENT DOCUMENTS

D394,184 S 5/1998 Demore
 5,798,079 A 8/1998 Freek et al.
 D402,556 S 12/1998 Frye
 5,911,331 A 6/1999 Boller
 5,947,323 A 9/1999 Freek et al.
 D416,755 S 11/1999 Trombly
 D417,845 S 12/1999 Sadlier et al.
 5,996,837 A 12/1999 Freek et al.
 D436,867 S 1/2001 Spreitzer et al.
 D437,223 S 2/2001 Coy et al.
 D447,412 S 9/2001 Durdon
 6,305,571 B1 10/2001 Chu
 6,374,726 B1 4/2002 Melton
 6,419,105 B1 7/2002 Bruce et al.
 6,419,112 B1 7/2002 Bruce et al.
 6,464,099 B1 10/2002 Portman et al.
 D467,500 S 12/2002 Cudmore et al.
 D468,206 S 1/2003 Weiss et al.
 6,505,753 B1 1/2003 Freek et al.
 D470,890 S 2/2003 Meyer
 6,578,726 B1 6/2003 Schaefer
 D476,566 S 7/2003 Smith et al.
 D476,891 S 7/2003 Clarke et al.
 D477,223 S 7/2003 Smith et al.
 6,612,456 B1 9/2003 Hundley et al.
 D480,968 S 10/2003 Atkins
 6,644,490 B2 11/2003 Clarke
 D485,758 S * 1/2004 Clarke et al. D9/447
 6,679,397 B2 * 1/2004 Smith et al. 220/254.1
 6,783,018 B1 * 8/2004 Rondeau 220/254.3
 D500,343 S 12/2004 McRobbie
 6,905,044 B1 6/2005 Russo et al.
 6,991,128 B1 1/2006 Russo et al.
 7,131,551 B2 * 11/2006 Smith 220/254.1

7,134,566 B2 * 11/2006 Smith et al. 220/254.1
 D535,561 S * 1/2007 Smith et al. D9/454
 D536,249 S * 2/2007 Smith et al. D9/454
 D539,649 S * 4/2007 Smith et al. D9/454
 D539,650 S * 4/2007 Smith et al. D9/454
 D540,167 S * 4/2007 Smith et al. D9/454
 D543,777 S * 6/2007 Seum et al. D7/392.1
 D572,587 S * 7/2008 Rush et al. D9/447
 D591,151 S * 4/2009 Freeman D9/447
 D591,595 S * 5/2009 Tedford, Jr. D9/447
 D592,056 S * 5/2009 Tedford, Jr. D9/447
 D624,356 S * 9/2010 Davies et al. D7/392.1
 D629,298 S * 12/2010 Wong D9/447
 2003/0089713 A1 5/2003 Belt et al.
 2003/0141302 A1 7/2003 Ryan et al.
 2004/0195239 A1 10/2004 Rush et al.
 2005/0211713 A1 9/2005 Goeking et al.
 2007/0131692 A1 * 6/2007 Smith et al. 220/254.7
 2008/0156803 A1 * 7/2008 McClellan et al. 220/254.1

OTHER PUBLICATIONS

Dixie Lid #DL9645 Dome Fits 10 oz Paper Hot Cup GP2ProductPdf.pdf From the Internet Dec. 29, 2010.*
 Dixie Lid #TL6 Tear Tab for SM6C or SM6C5 GPPProductPdf.pdf From the Internet Dec. 29, 2010.*
 Web Page www.lollicupstore.comhohotcupsi.html from Lolicup® Coffee & Tea Website, Product Honor® Hot Cup Sipper Lid as an internet site image, (dated Sep. 29, 2005) known to exist as early as Sep. 26, 2005.
 Patton, Phil, "Top This," I.D. Magazine, pp. 39-47, May/Jun. 2005.
 Publication of TM Application No. 76/357,255—Official Gazette, p. 260, Jun. 10, 2003.

* cited by examiner

FIG. 1

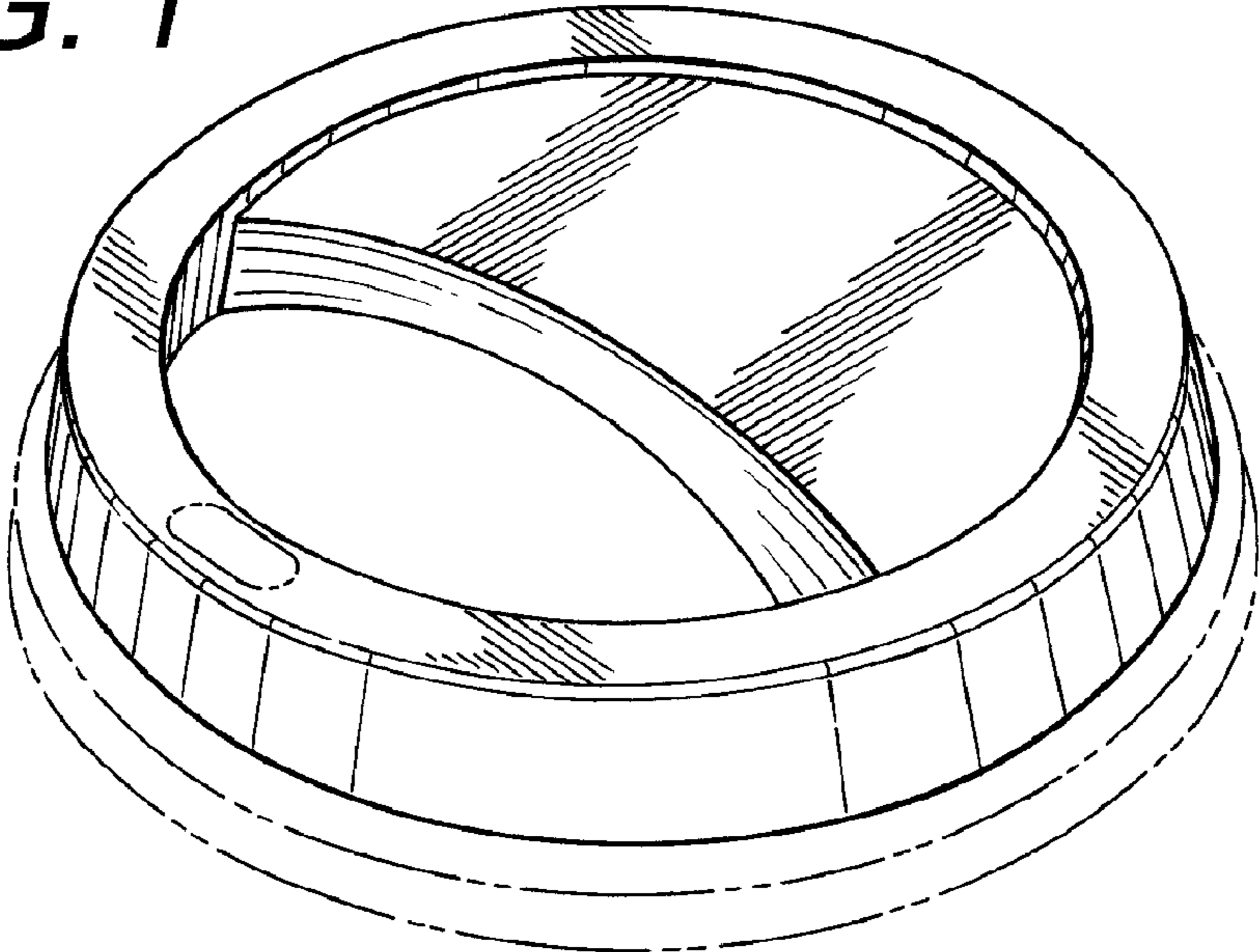


FIG. 2

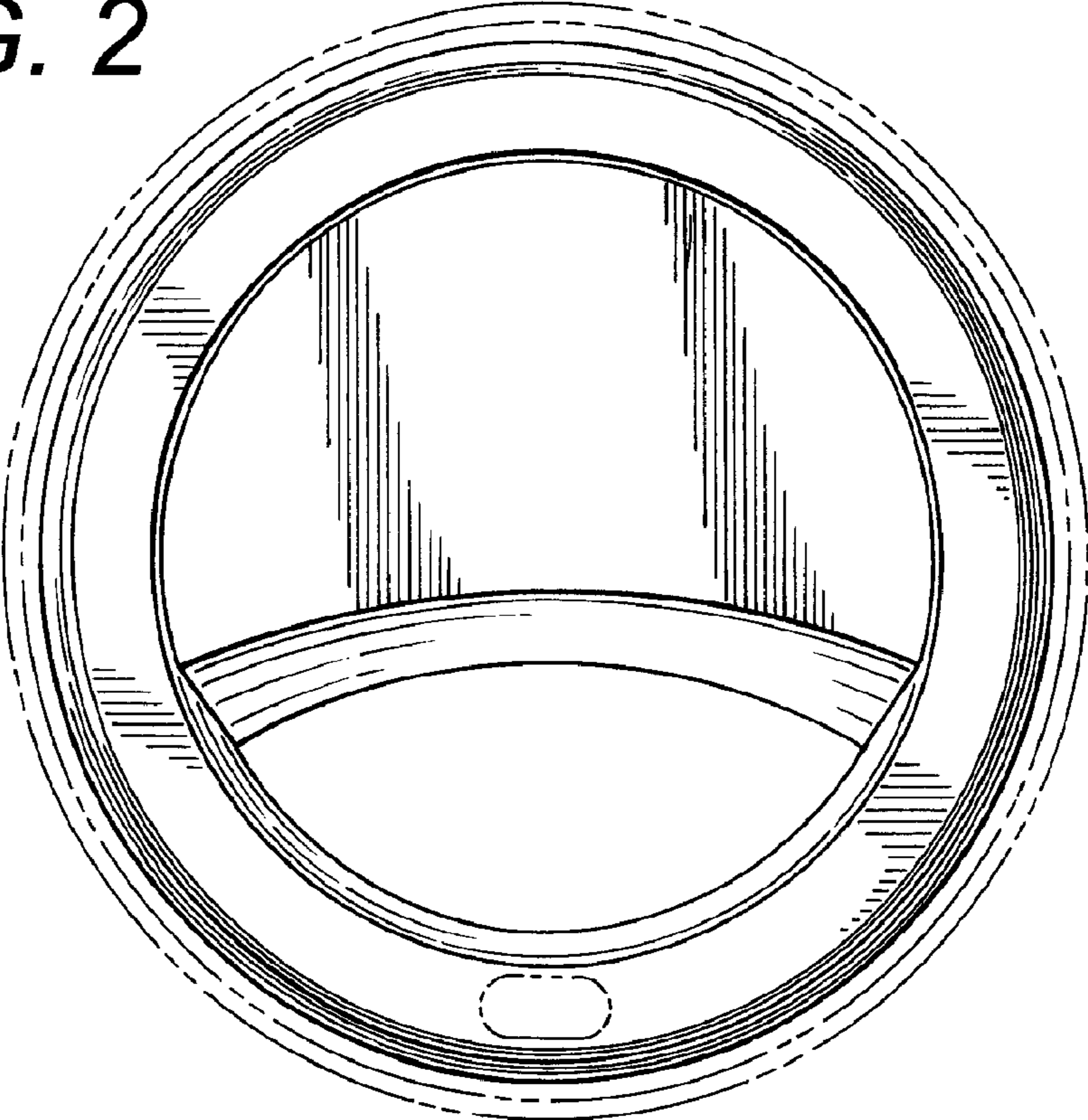


FIG. 3

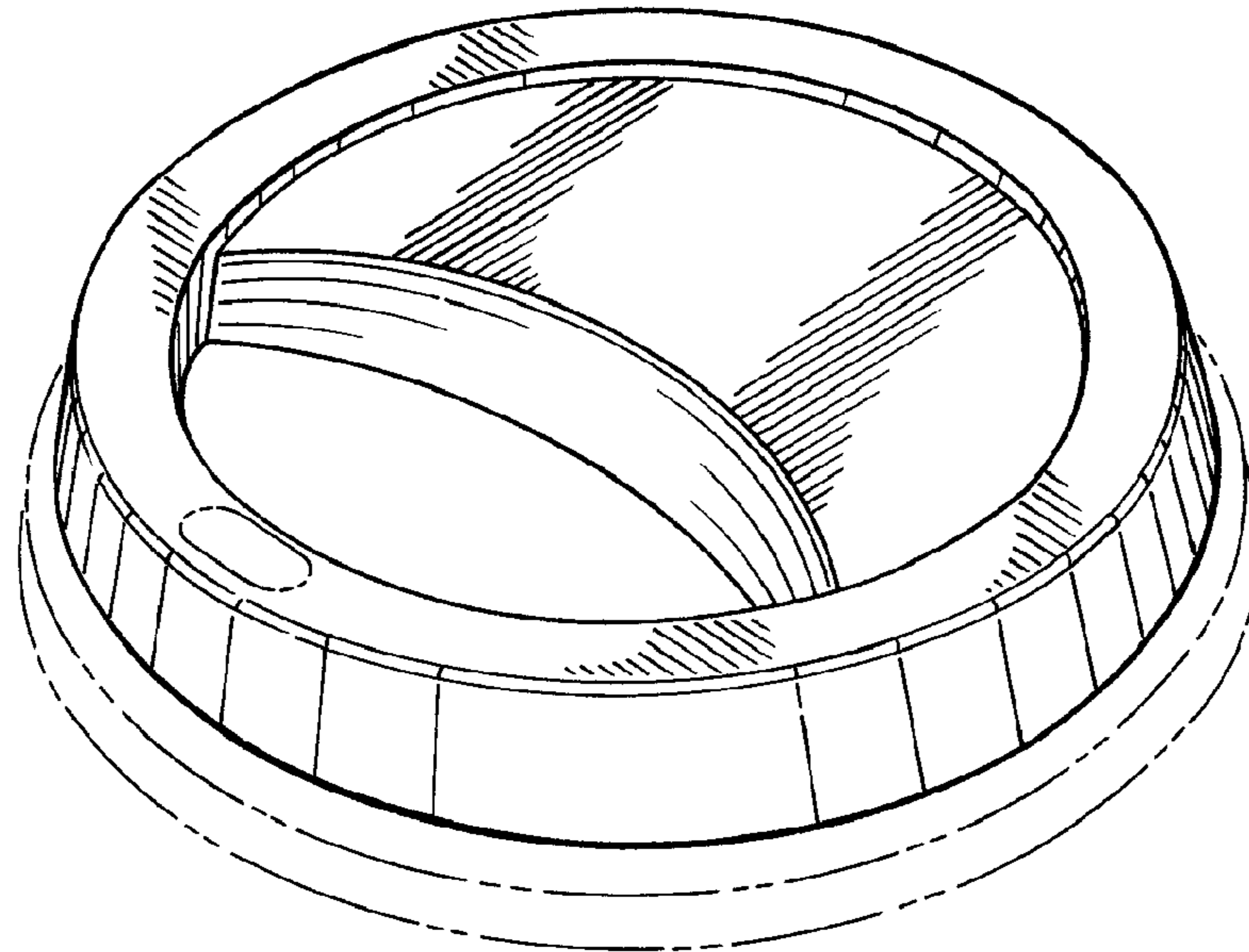


FIG. 4

