



US00D635854S

(12) **United States Design Patent**
Bass et al.

(10) **Patent No.:** **US D635,854 S**
(45) **Date of Patent:** **** Apr. 12, 2011**

- (54) **OVERCAP**
- (75) Inventors: **Benjamin A. Bass**, Oak Creek, WI (US);
Allen D. Miller, Racine, WI (US)
- (73) Assignee: **S.C. Johnson & Son, Inc.**, Racine, WI (US)
- (**) Term: **14 Years**
- (21) Appl. No.: **29/375,853**
- (22) Filed: **Sep. 28, 2010**

D218,145 S	7/1970	Doblin	
3,580,432 A	5/1971	Brooks	
3,611,820 A	10/1971	Hempel	
3,648,905 A	3/1972	Kauder	
3,698,604 A	10/1972	Nigro	
3,729,119 A	4/1973	Sette et al.	
3,848,778 A	11/1974	Meshberg	
3,860,149 A	1/1975	Hagianis	
D240,711 S *	7/1976	Angleman D9/726
4,053,090 A	10/1977	Kelly et al.	

(Continued)

FOREIGN PATENT DOCUMENTS

WO WO02064449 8/2002

(Continued)

Related U.S. Application Data

- (62) Division of application No. 29/345,067, filed on Oct. 8, 2009, now Pat. No. Des. 627,224.
- (51) **LOC (9) Cl.** **09-07**
- (52) **U.S. Cl.** **D9/445**; D9/435; D9/454; D9/444
- (58) **Field of Classification Search** D9/456,
D9/455, 448, 447, 445, 438, 434, 763, 772,
D9/435, 503, 504; D23/226; 239/333, 331;
222/635, 631, 566, 321.9, 321.8, 321.7, 320,
222/251; 220/915, 269, 268, 258.5
See application file for complete search history.

Primary Examiner — Susan Bennett Hattan

(57) **CLAIM**

The ornamental design for an overcap, as shown and described.

DESCRIPTION

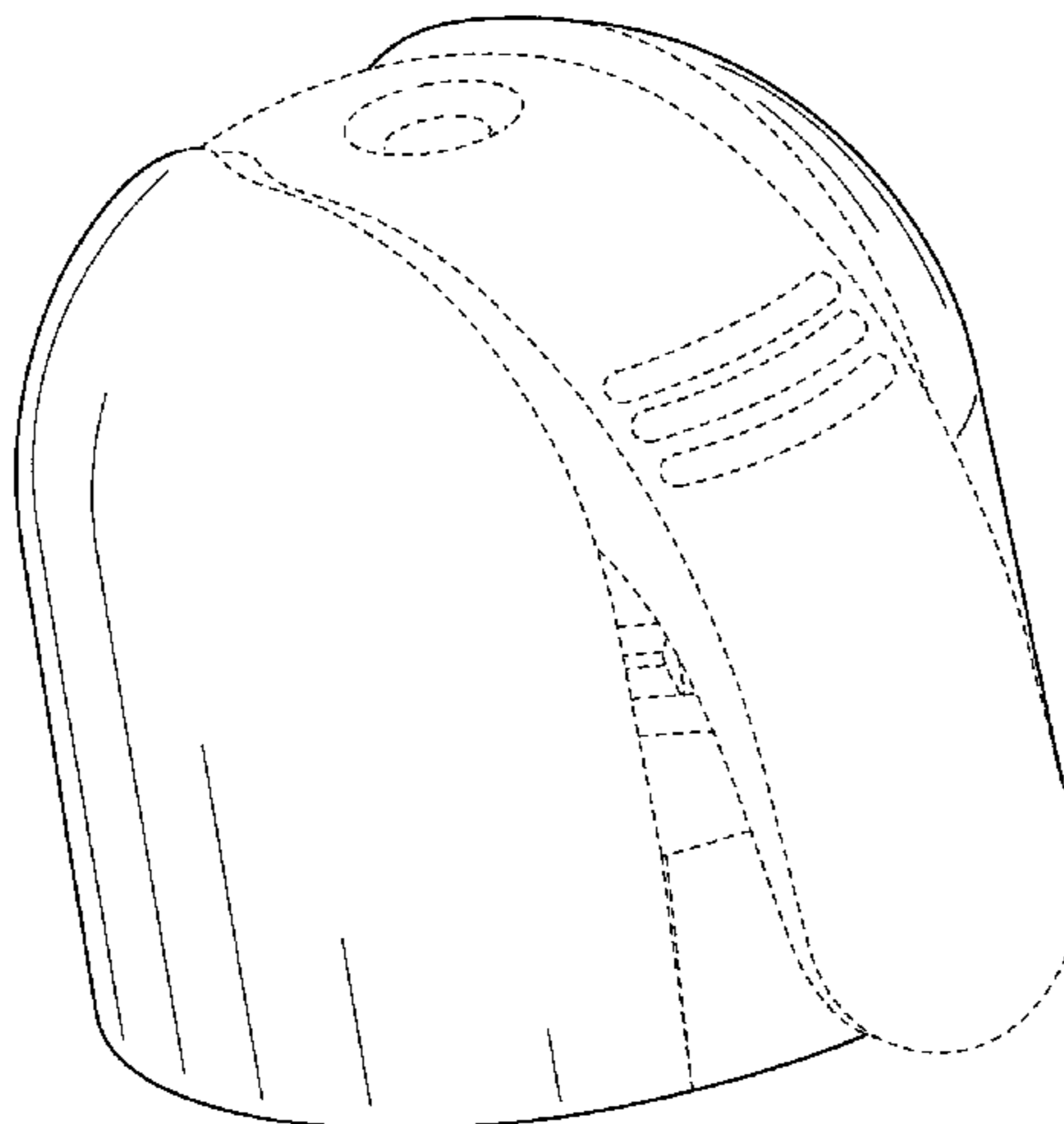
FIG. 1 is a top isometric view of an overcap according to the present invention;
 FIG. 2 is a side elevational view of a first side of the overcap of FIG. 1;
 FIG. 3 is a side elevational view of a second side of the overcap of FIG. 1, the second side being opposite the first side;
 FIG. 4 is a side elevational view of a third side of the overcap of FIG. 1;
 FIG. 5 is a side elevational view of a fourth side of the overcap of FIG. 1, the fourth side being opposite the third side;
 FIG. 6 is a top plan view of the overcap of FIG. 1; and,
 FIG. 7 is a bottom elevational view of the overcap of FIG. 1. FIG. 7 is provided for context only and form no part of the claimed design. Further, structure shown in phantom forms no part of the claimed design.

(56) **References Cited**

U.S. PATENT DOCUMENTS

D19,417 S *	11/1889	Estes	D9/503
D60,356 S *	2/1922	Marr	D9/445
D112,545 S *	12/1938	Younghusband	D9/504
D136,607 S *	11/1943	Krause	D9/503
D138,686 S *	8/1944	Smith	D9/503
2,887,273 A	3/1955	Anderson et al.		
3,143,254 A	8/1964	Vanderhyde		
3,158,292 A	11/1964	O'Donnell		
3,169,673 A	2/1965	Focht		
3,185,349 A	5/1965	Sagarin		
3,312,723 A	4/1967	Anderson et al.		
3,317,092 A	5/1967	Jurasek		
3,373,908 A	3/1968	Crowell		

1 Claim, 4 Drawing Sheets



US D635,854 S

U.S. PATENT DOCUMENTS

D251,181 S * 2/1979 Angleman et al. D9/504
 D251,182 S * 2/1979 Angleman et al. D9/504
 4,264,037 A 4/1981 Nozawa
 4,277,004 A 7/1981 Barlics
 4,325,497 A 4/1982 Ewald
 D264,307 S * 5/1982 Capelouto D9/503
 4,328,911 A 5/1982 Knickerbocker
 4,428,509 A 1/1984 Emerson et al.
 4,442,955 A 4/1984 Bush
 D274,848 S * 7/1984 Chevassus D28/76
 4,506,808 A 3/1985 Goncalves
 D281,673 S * 12/1985 Lampe D9/529
 4,679,713 A 7/1987 Crapser et al.
 4,805,839 A 2/1989 Malek
 4,898,307 A 2/1990 Tiramani
 5,018,647 A 5/1991 Abplanalp
 5,114,052 A 5/1992 Tiramani et al.
 D329,983 S * 10/1992 Griffin et al. D9/504
 5,154,323 A 10/1992 Query et al.
 D338,615 S 8/1993 Magidson et al.
 5,249,713 A 10/1993 Reich
 5,263,616 A 11/1993 Abplanalp
 D345,918 S * 4/1994 Chevassus D9/529
 D349,642 S 8/1994 Abfier
 5,388,730 A 2/1995 Abbott et al.
 5,445,299 A 8/1995 Harriman
 D363,859 S * 11/1995 Matsick D7/629
 5,482,186 A 1/1996 Rodden, Jr.
 5,503,303 A 4/1996 LaWare et al.
 5,507,437 A 4/1996 Foster et al.
 5,509,608 A 4/1996 Foster et al.
 5,513,800 A 5/1996 Foster et al.
 5,586,693 A 12/1996 DeLaforcade et al.
 5,597,095 A 1/1997 Ferrara, Jr.
 5,624,055 A 4/1997 Clanet
 5,649,645 A 7/1997 Demarest et al.
 D386,949 S * 12/1997 McArdle D7/590
 5,702,036 A 12/1997 Ferrara
 D396,639 S * 8/1998 Pedersen-Rask D9/454
 5,791,524 A 8/1998 Demarest
 D399,658 S * 10/1998 Nosella D4/116
 5,823,396 A 10/1998 Vollmerhaus
 D406,764 S * 3/1999 Bright et al. D9/503
 D407,644 S * 4/1999 de Maillard et al. D9/448
 5,890,632 A 4/1999 Chalupsky et al.
 5,915,597 A 6/1999 DeLaforcade
 5,975,376 A 11/1999 Chalupsky et al.
 5,984,149 A 11/1999 Thanisch et al.
 5,984,151 A 11/1999 Lohrman et al.
 6,004,056 A 12/1999 De Laforcade
 D425,423 S * 5/2000 Mengeu et al. D9/503
 6,056,160 A 5/2000 Carlucci
 D436,535 S * 1/2001 Kerr et al. D9/445
 6,216,912 B1 4/2001 Keung et al.
 6,302,302 B1 10/2001 Albisetti
 6,364,171 B1 4/2002 Chalupsky et al.
 6,390,341 B1 5/2002 Ohmi et al.
 D460,360 S 7/2002 Diете

6,454,139 B1 9/2002 Bayer
 RE38,022 E 3/2003 De Laforcade
 6,564,977 B2 5/2003 Uemura et al.
 6,588,631 B2 7/2003 Sanchez
 6,595,393 B1 7/2003 Loghman-Adham et al.
 6,722,532 B2 4/2004 Lasserre
 6,763,979 B2 7/2004 Yamanaka et al.
 6,899,253 B2 5/2005 Uemura et al.
 6,908,017 B2 6/2005 Mineau et al.
 6,939,072 B2 9/2005 Thiebaut
 D511,097 S * 11/2005 Sherratt D9/503
 D512,639 S * 12/2005 Weber D9/529
 6,981,616 B2 1/2006 Loghman-Adham et al.
 D515,920 S 2/2006 Groh et al.
 7,004,359 B2 2/2006 Marroncles
 7,017,785 B2 3/2006 Lasserre et al.
 7,036,691 B2 5/2006 Nicolas
 7,104,427 B2 9/2006 Pericard et al.
 D530,609 S * 10/2006 Beaver et al. D9/445
 7,124,916 B2 10/2006 Groh
 D532,296 S * 11/2006 Beaver et al. D9/445
 D534,076 S * 12/2006 Green et al. D9/435
 D536,970 S 2/2007 Shannan et al.
 7,204,393 B2 4/2007 Strand
 7,216,820 B2 5/2007 Nelson
 7,249,692 B2 7/2007 Walters
 D552,471 S * 10/2007 Kuus D9/436
 D562,699 S * 2/2008 Green et al. D9/726
 D564,900 S * 3/2008 Green et al. D9/715
 D565,947 S 4/2008 Downey et al.
 D569,723 S 5/2008 Sellick
 D581,270 S 11/2008 Gonzalez et al.
 7,487,891 B2 2/2009 Yerby et al.
 7,497,214 B2 3/2009 Hodson
 7,527,173 B2 5/2009 Lasserre
 D627,650 S * 11/2010 Yeung D9/504
 2004/0222246 A1 11/2004 Bates et al.
 2005/0017026 A1 1/2005 Yerby et al.
 2006/0151547 A1 7/2006 Kolanus
 2007/0034649 A1 2/2007 Smith et al.
 2007/0039979 A1 2/2007 Strand et al.
 2007/0051754 A1 3/2007 Strand et al.
 2007/0062980 A1 3/2007 Bates et al.
 2007/0138214 A1 6/2007 De'Padova et al.
 2007/0278253 A1 12/2007 Ruiz De Gopegui et al.
 2007/0290007 A1 12/2007 Eberhardt
 2008/0164285 A1 7/2008 Hygema

FOREIGN PATENT DOCUMENTS

WO WO2004024221 3/2004
 WO WO2004099029 11/2004
 WO WO2006058627 6/2006
 WO WO2007021918 2/2007
 WO WO2007022422 2/2007
 WO WO2007140407 12/2007
 WO WO2007149459 12/2007
 WO WO2007149549 12/2007
 WO WO2008066012 6/2008

* cited by examiner

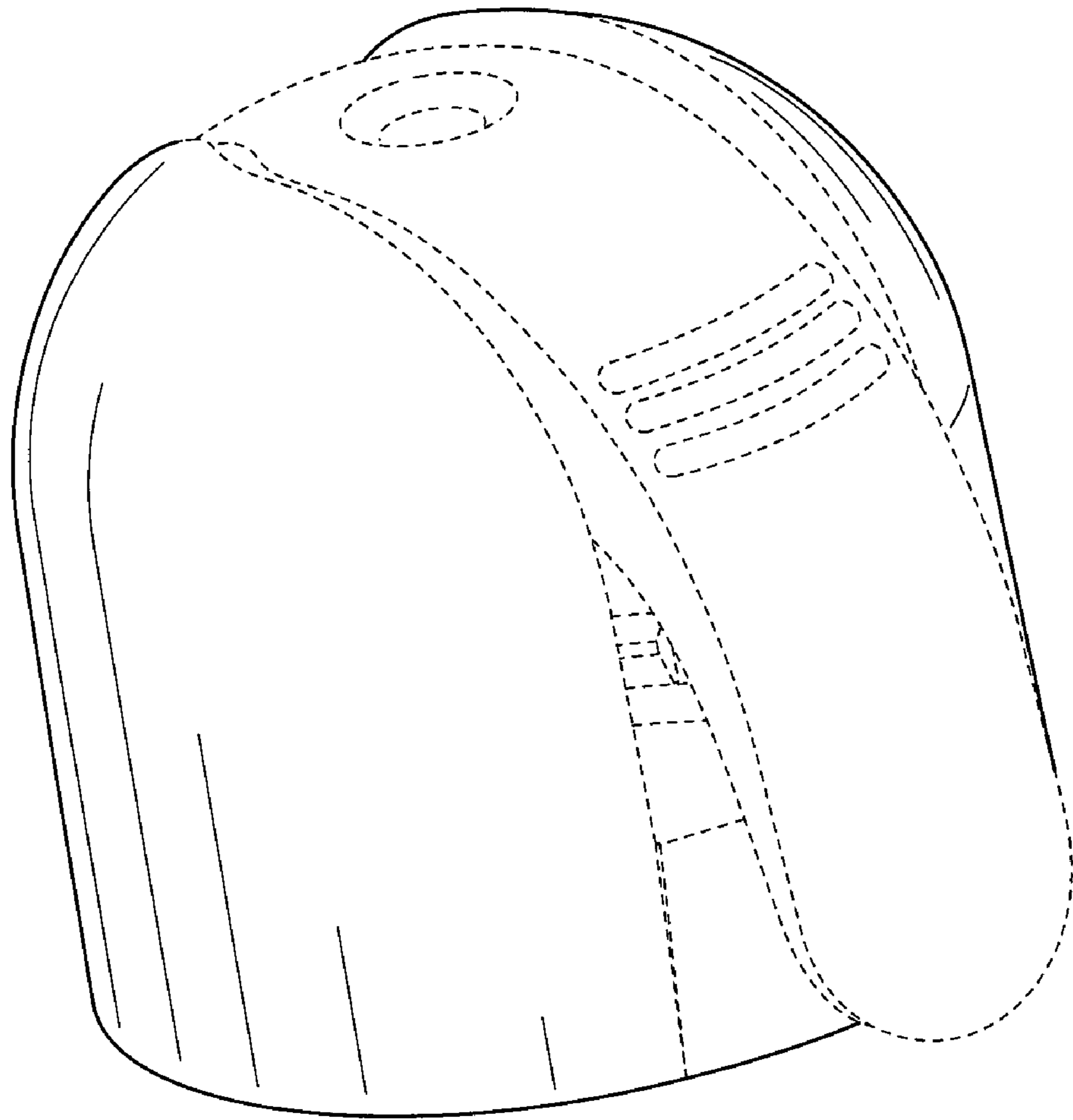


Fig. 1

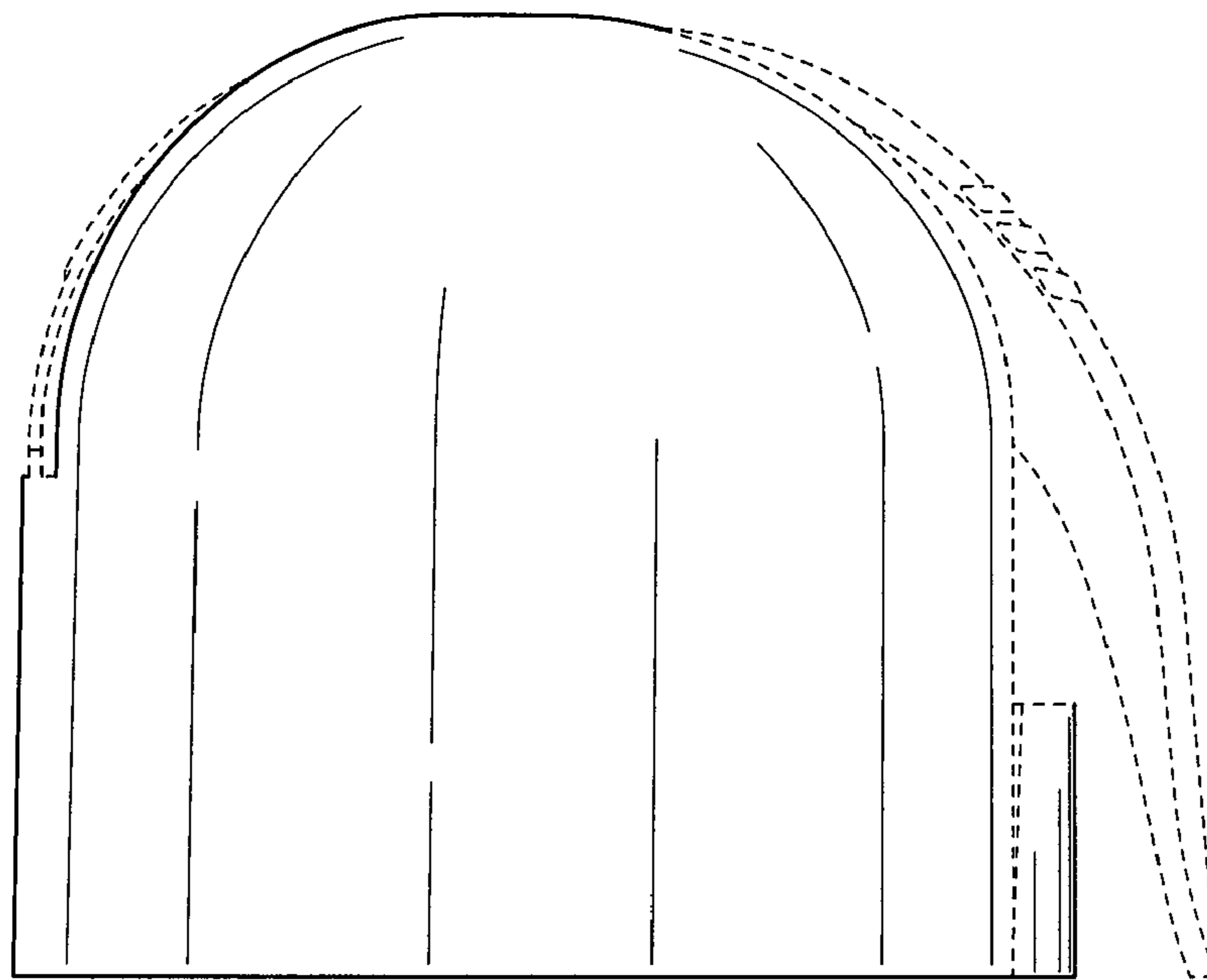


Fig. 2

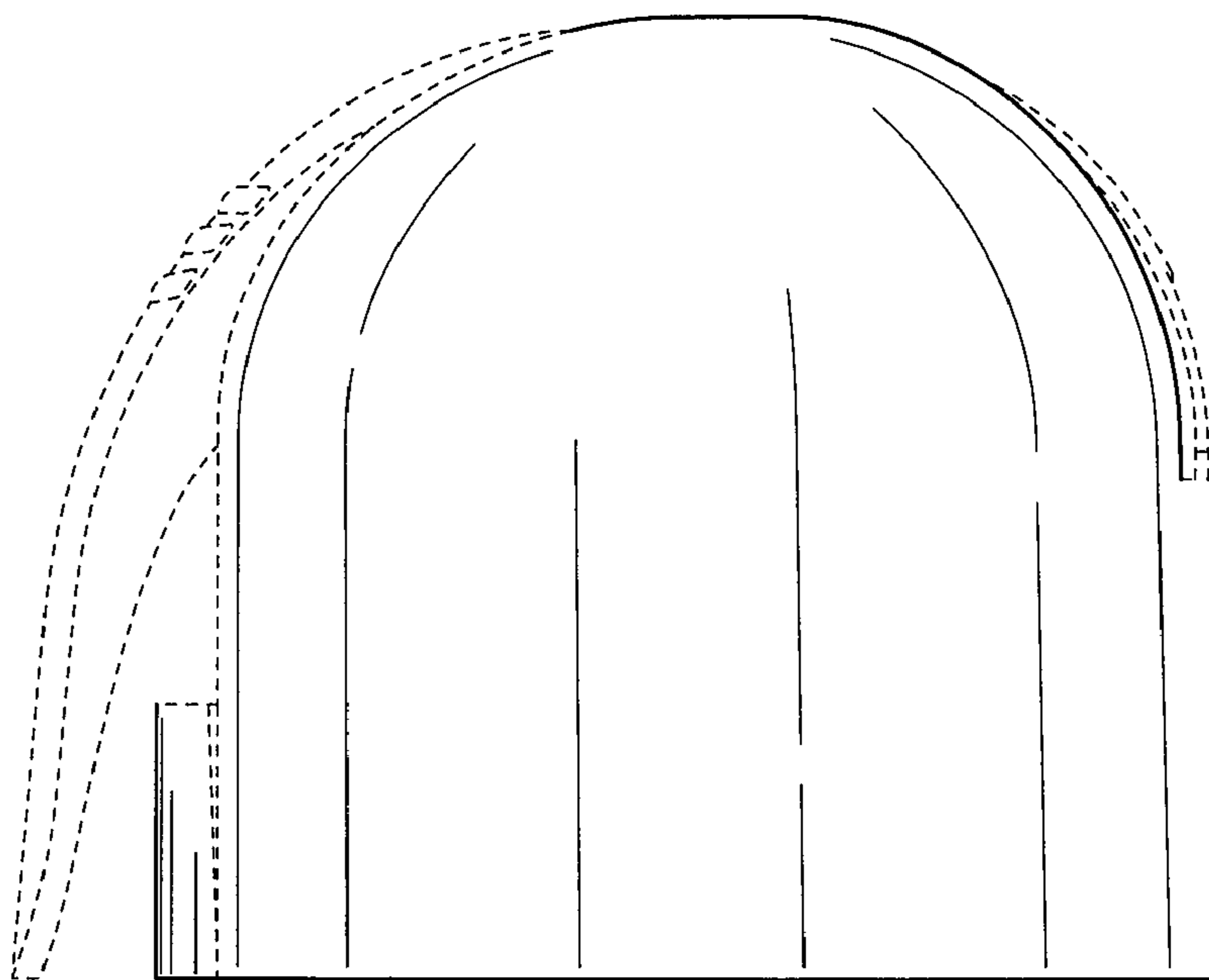


Fig. 3

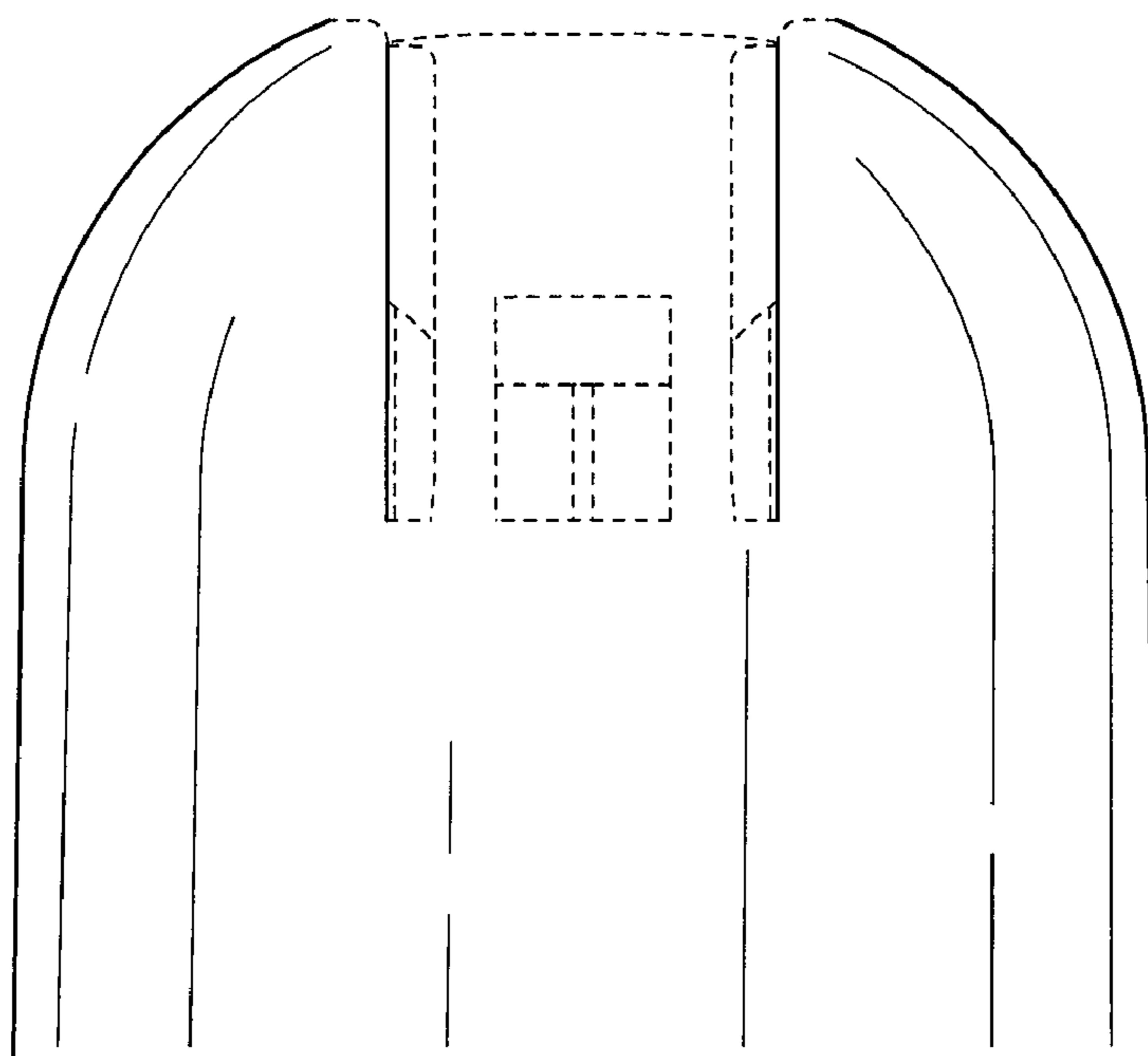


Fig. 4

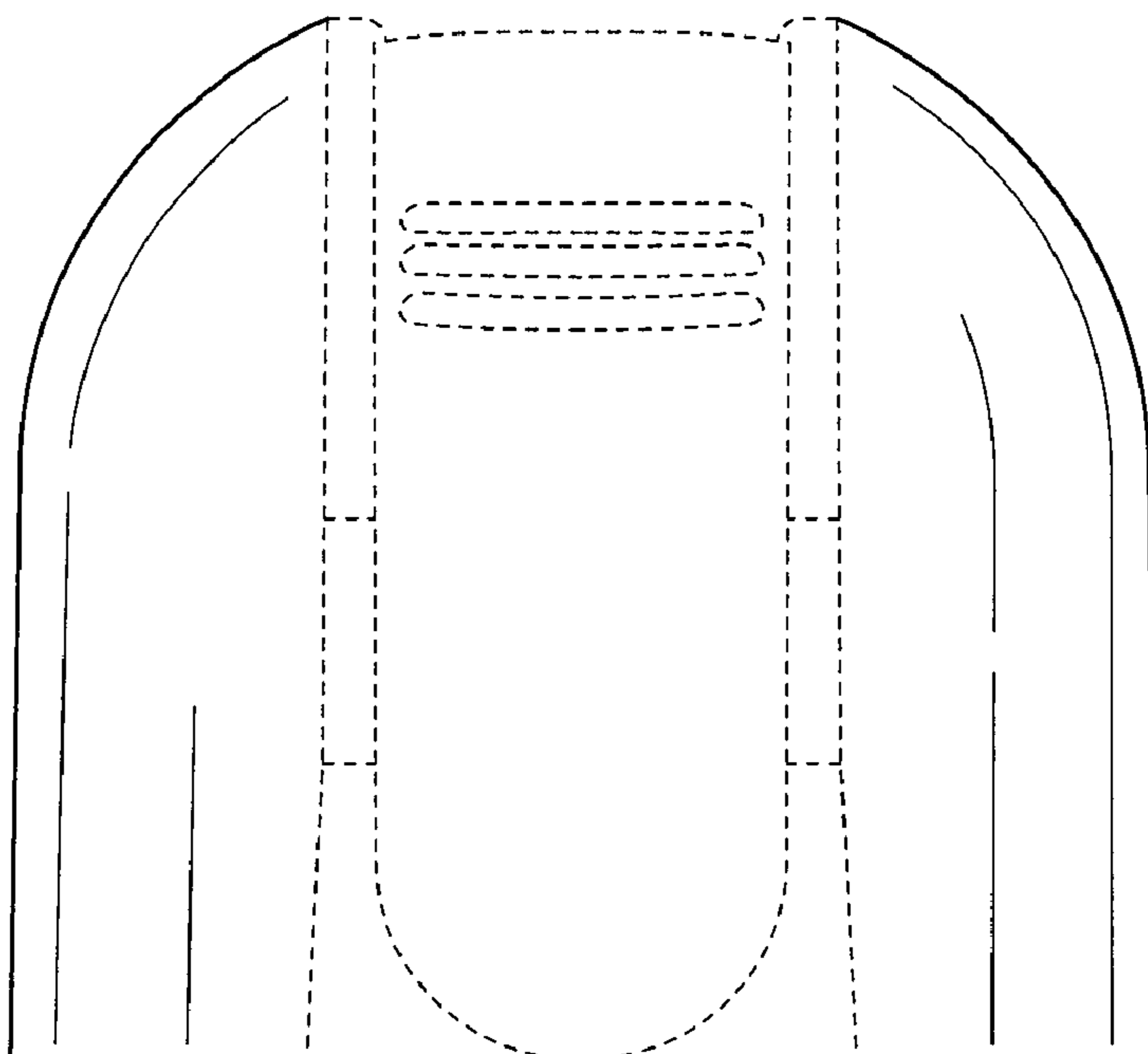


Fig. 5

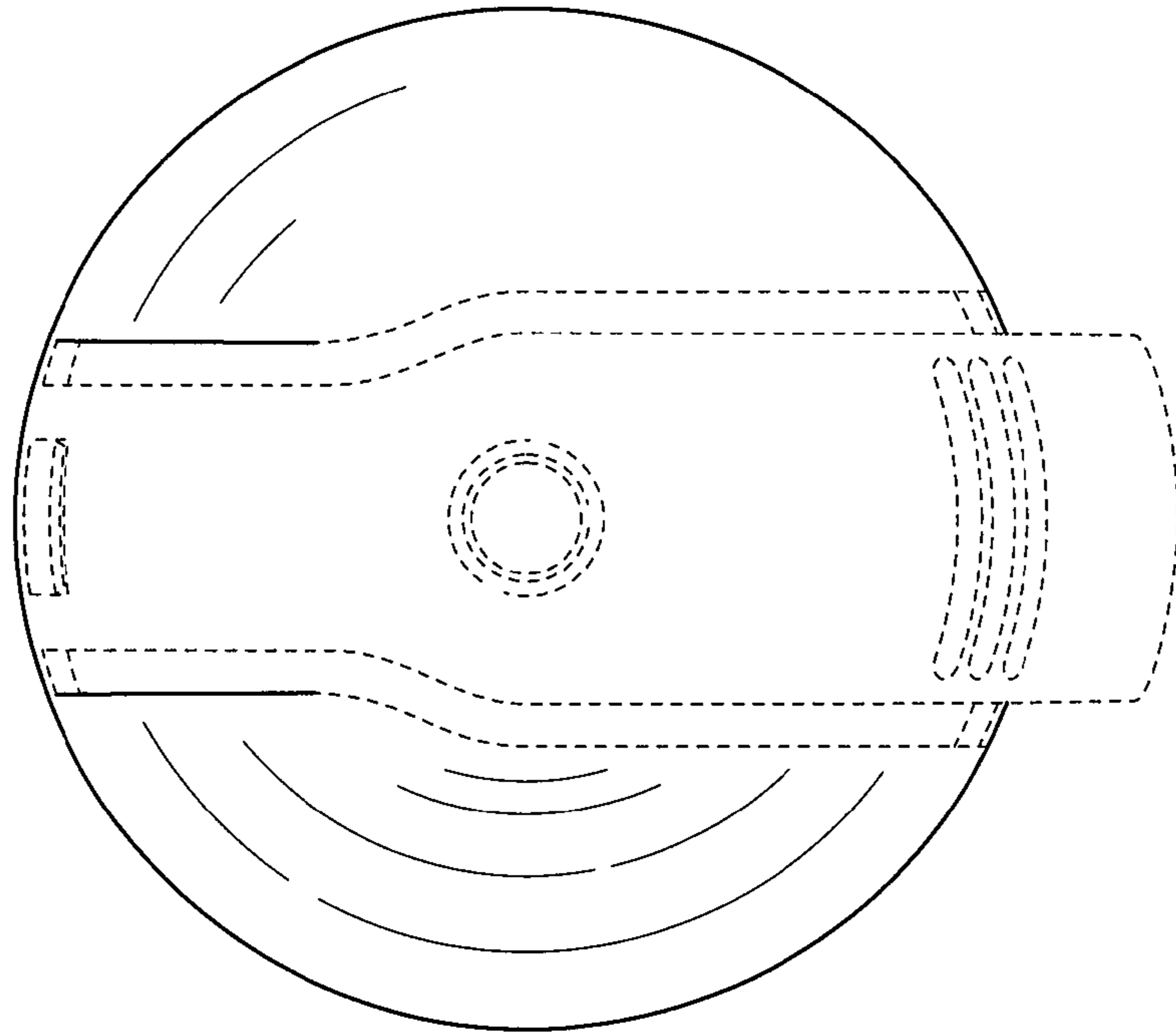


Fig. 6

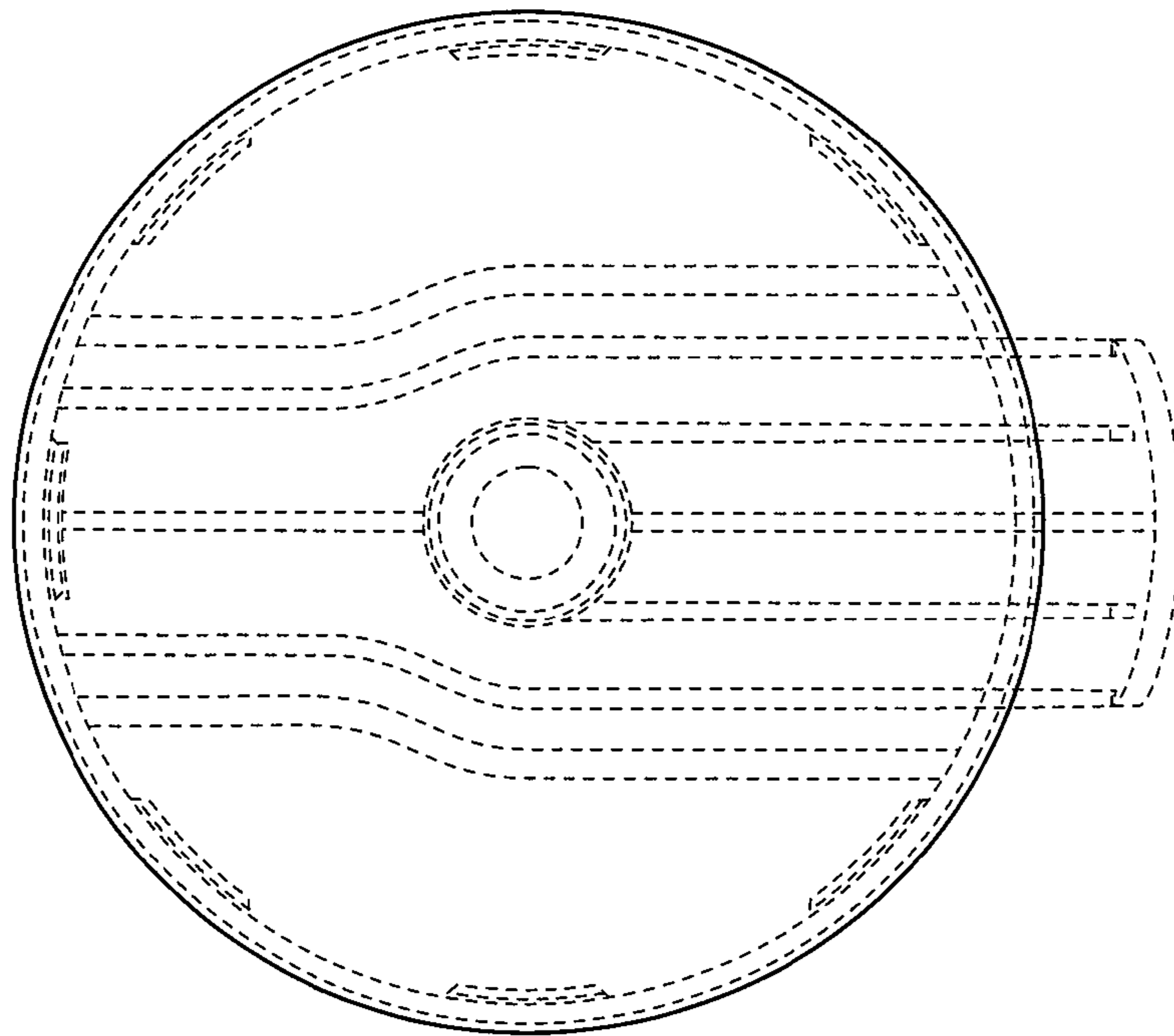


Fig. 7