



US00D635849S

(12) **United States Design Patent**
Noer et al.

(10) **Patent No.:** **US D635,849 S**

(45) **Date of Patent:** **** Apr. 12, 2011**

(54) **CONTAINER AND LID**

(75) Inventors: **Torben Noer**, Beder (DK); **Mikael Koch**, Virum (DK); **Dorte C. Søndergaard**, Taastrup (DK)

(73) Assignee: **Superfos A/S**, Taastrup (DK)

(**) Term: **14 Years**

(21) Appl. No.: **29/347,336**

(22) Filed: **Dec. 9, 2009**

(30) **Foreign Application Priority Data**

Jun. 11, 2009 (EM) 001544552-1-4

(51) **LOC (9) Cl.** **09-03**

(52) **U.S. Cl.** **D9/428; D9/417**

(58) **Field of Classification Search** D9/428,
D9/429, 420-426, 414; D7/629, 612-615;
220/578.1, 790, 791, 380, 345.1, 345.2, 376,
220/377, 675, 288, 290, 294, 780-784, 834;
206/508, 541; 229/4.5, 93, 406, 407, 902,
229/116.1; 426/106, 428-430

See application file for complete search history.

(56) **References Cited**

U.S. PATENT DOCUMENTS

D296,422 S * 6/1988 Rayner D9/780
4,966,294 A * 10/1990 Mack et al. 220/266
5,363,979 A * 11/1994 Thorso 220/495.11

D470,768 S * 2/2003 Melhede D9/428
D493,929 S * 8/2004 Schwarz D32/53
D501,636 S * 2/2005 Melhede D9/428
2003/0178428 A1 * 9/2003 Chang 220/378
2004/0011791 A1 * 1/2004 Oh 220/285
2009/0026203 A1 * 1/2009 Selina et al. 220/276
2009/0032542 A1 * 2/2009 Temple 220/669
2009/0314780 A1 * 12/2009 Selina et al. 220/276
2010/0200605 A1 * 8/2010 Herring et al. 220/780

* cited by examiner

Primary Examiner — Thomas J Johannes

(74) *Attorney, Agent, or Firm* — Dykema Gossett PLLC

(57) **CLAIM**

The ornamental design for a container and lid, as shown and described.

DESCRIPTION

FIG. 1 is a perspective top view of a container and lid showing our new design;

FIG. 2 is a perspective bottom view thereof;

FIG. 3 is a side elevation view thereof, the opposite side view being a mirror image thereto;

FIG. 4 is a front elevation view thereof;

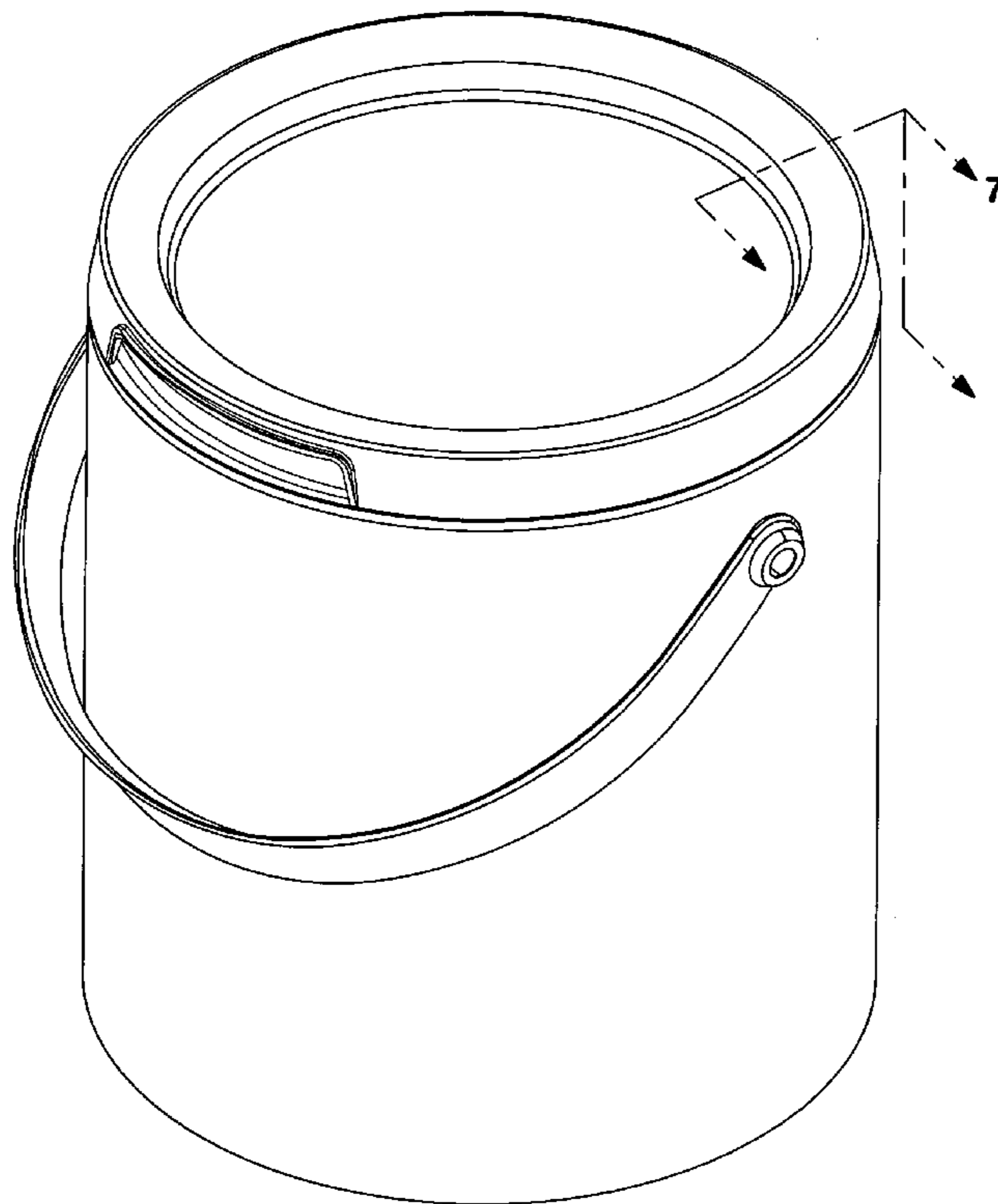
FIG. 5 is a top plan view thereof;

FIG. 6 is a bottom plan view thereof; and,

FIG. 7 is a cross-section of corner detail taken in the direction of right-angle reference line-7 in FIG. 1.

The broken line portion of the FIG. 7 is included to show unclaimed subject matter only and forms no part of the claimed design.

1 Claim, 7 Drawing Sheets



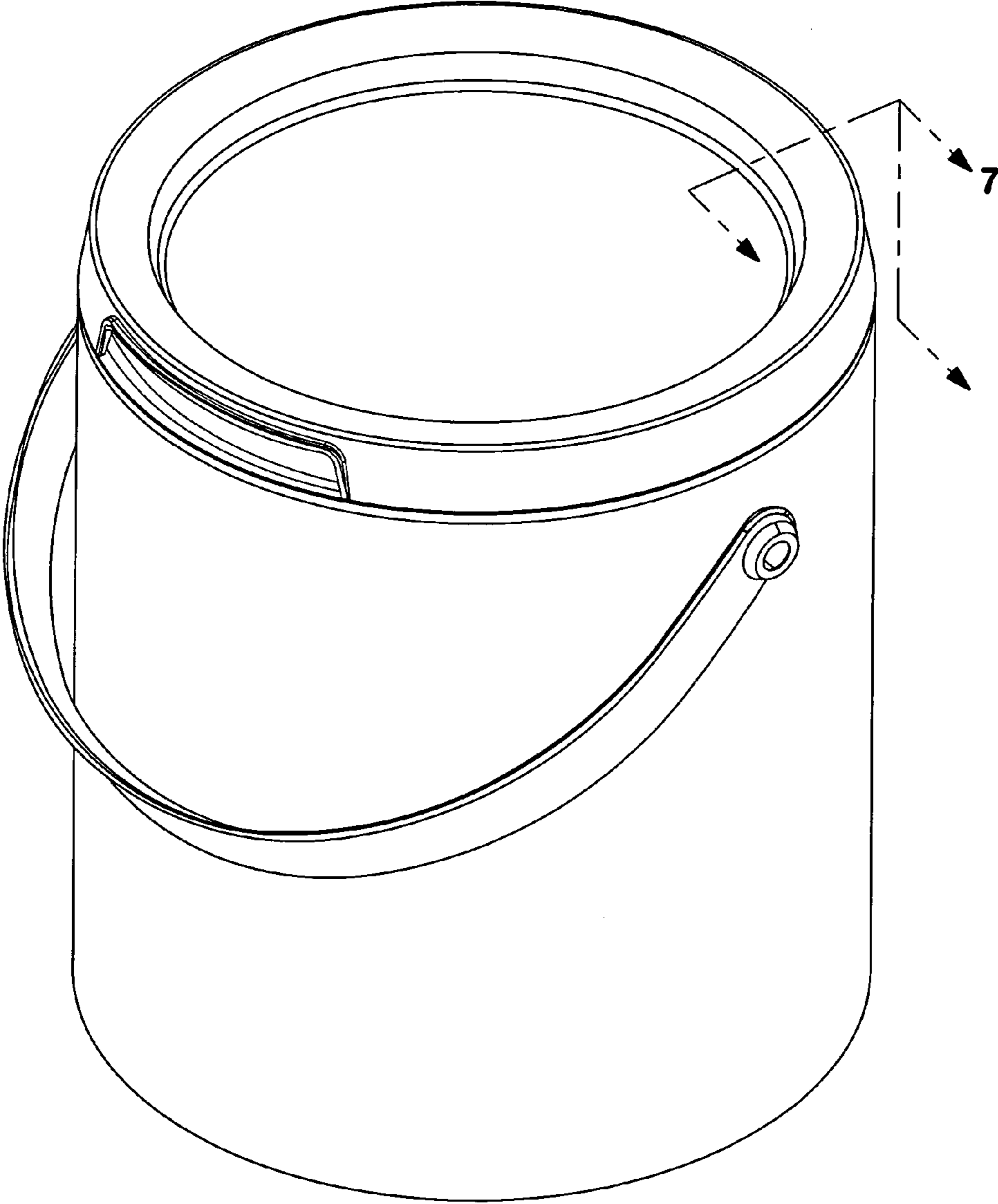


FIG. 1

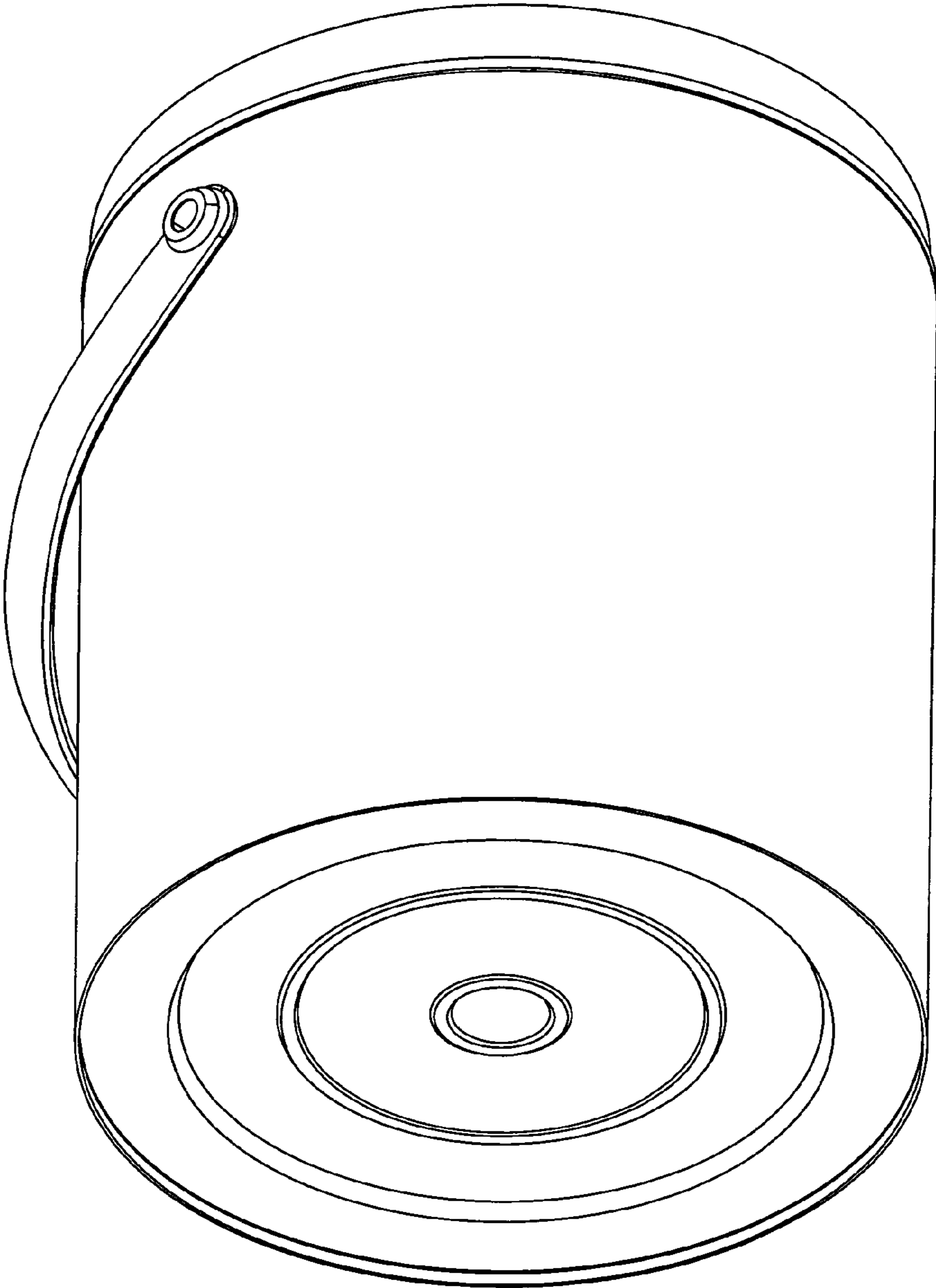


FIG. 2

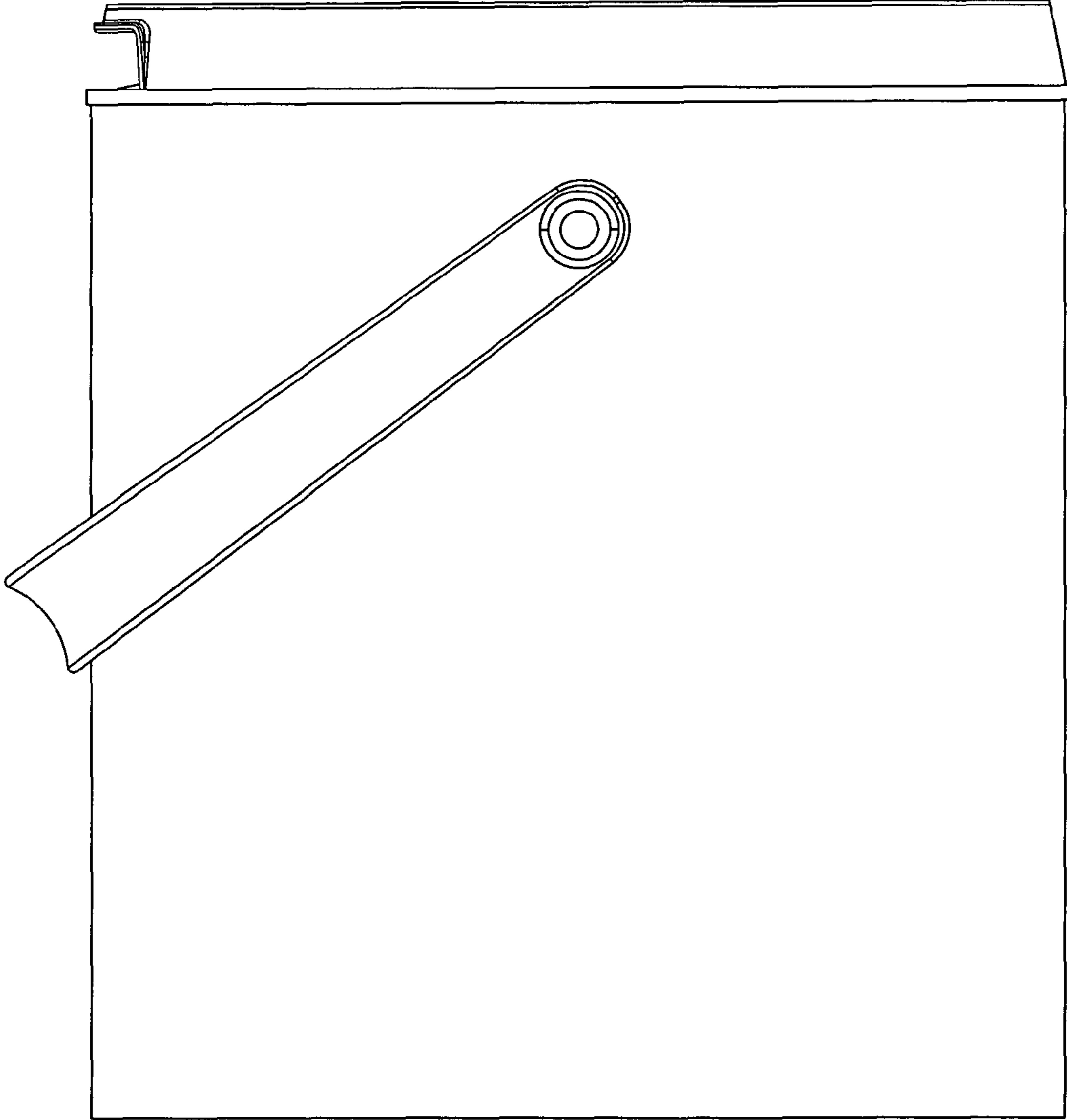


FIG. 3

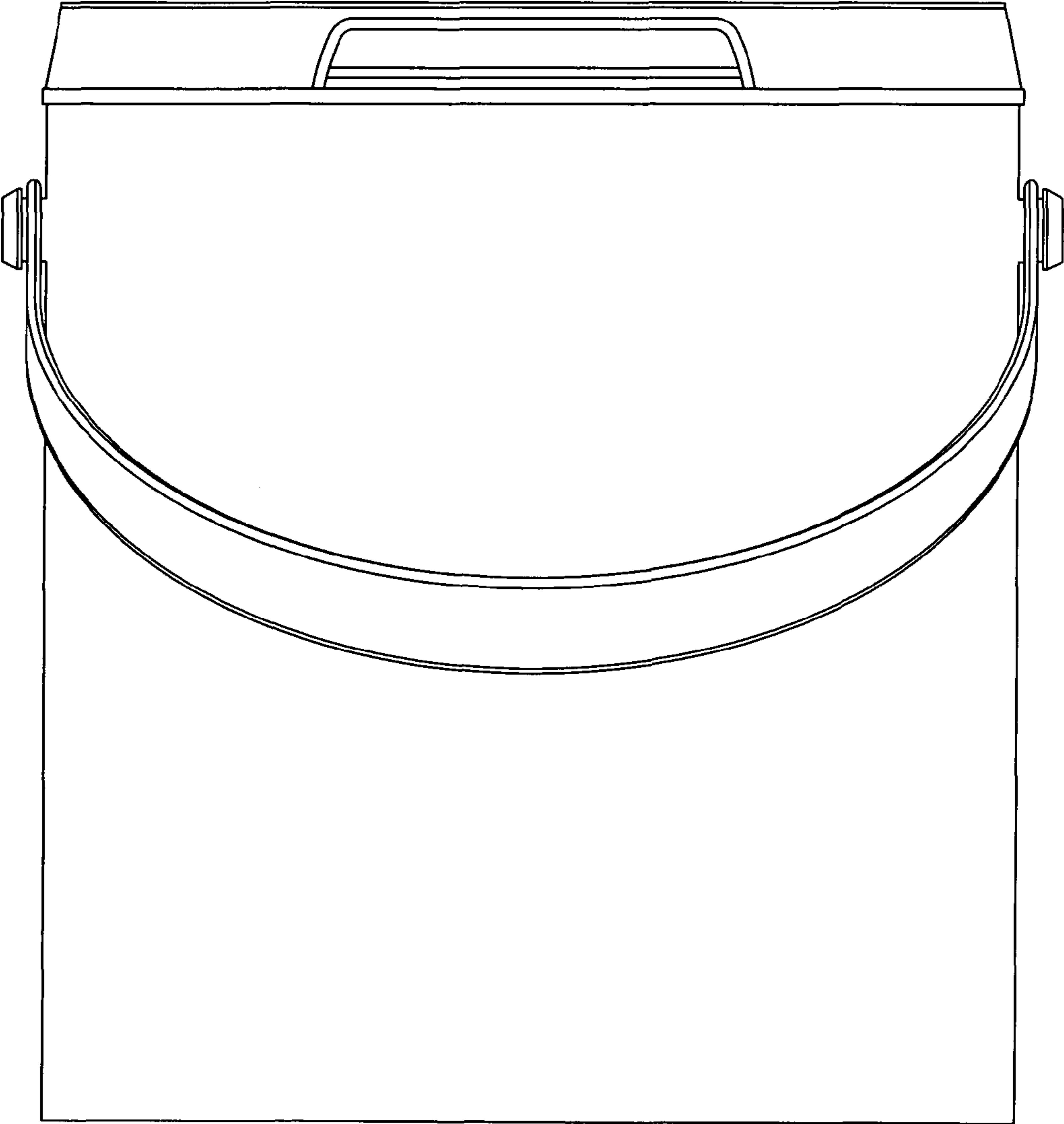


FIG. 4

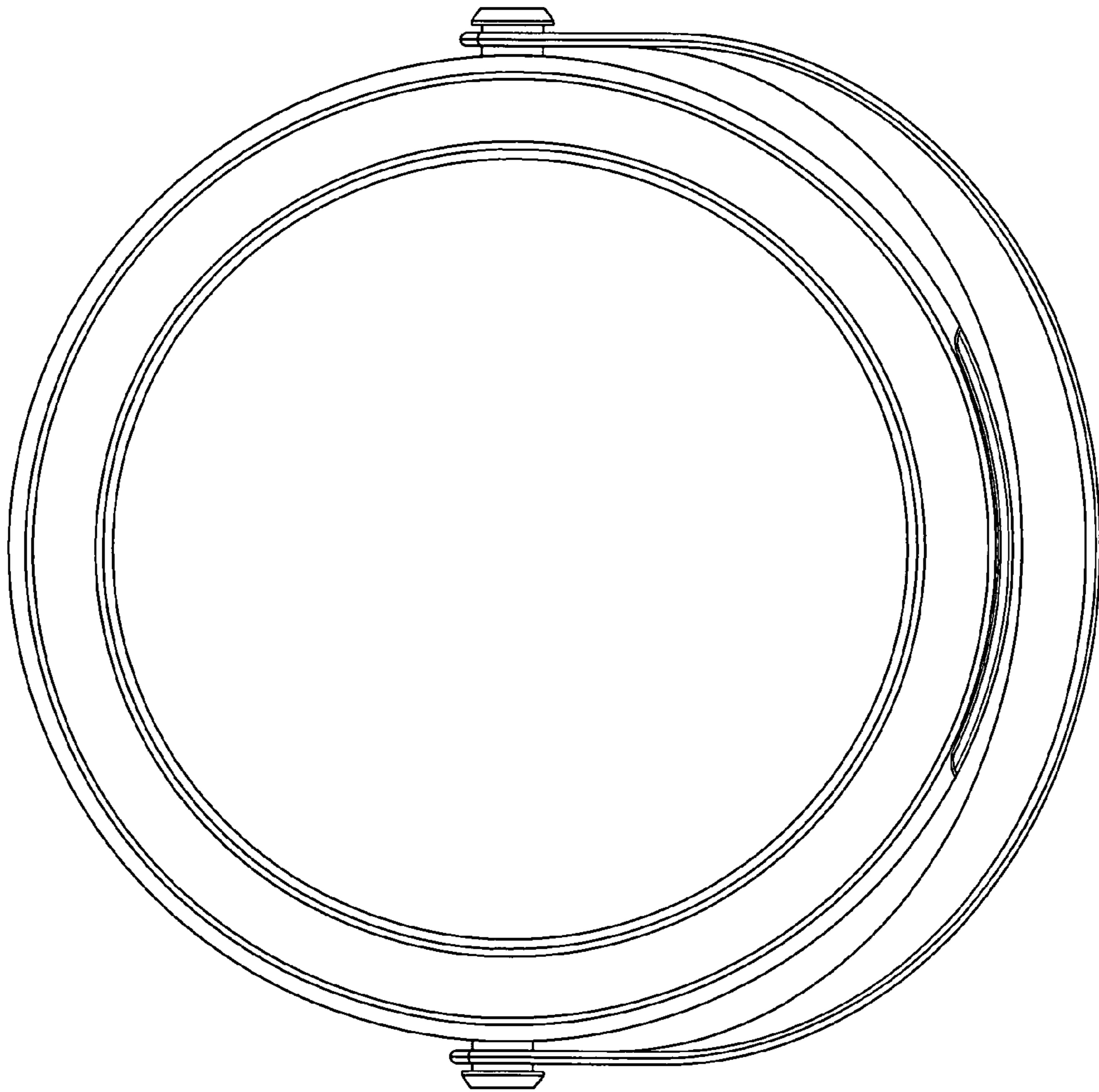


FIG. 5

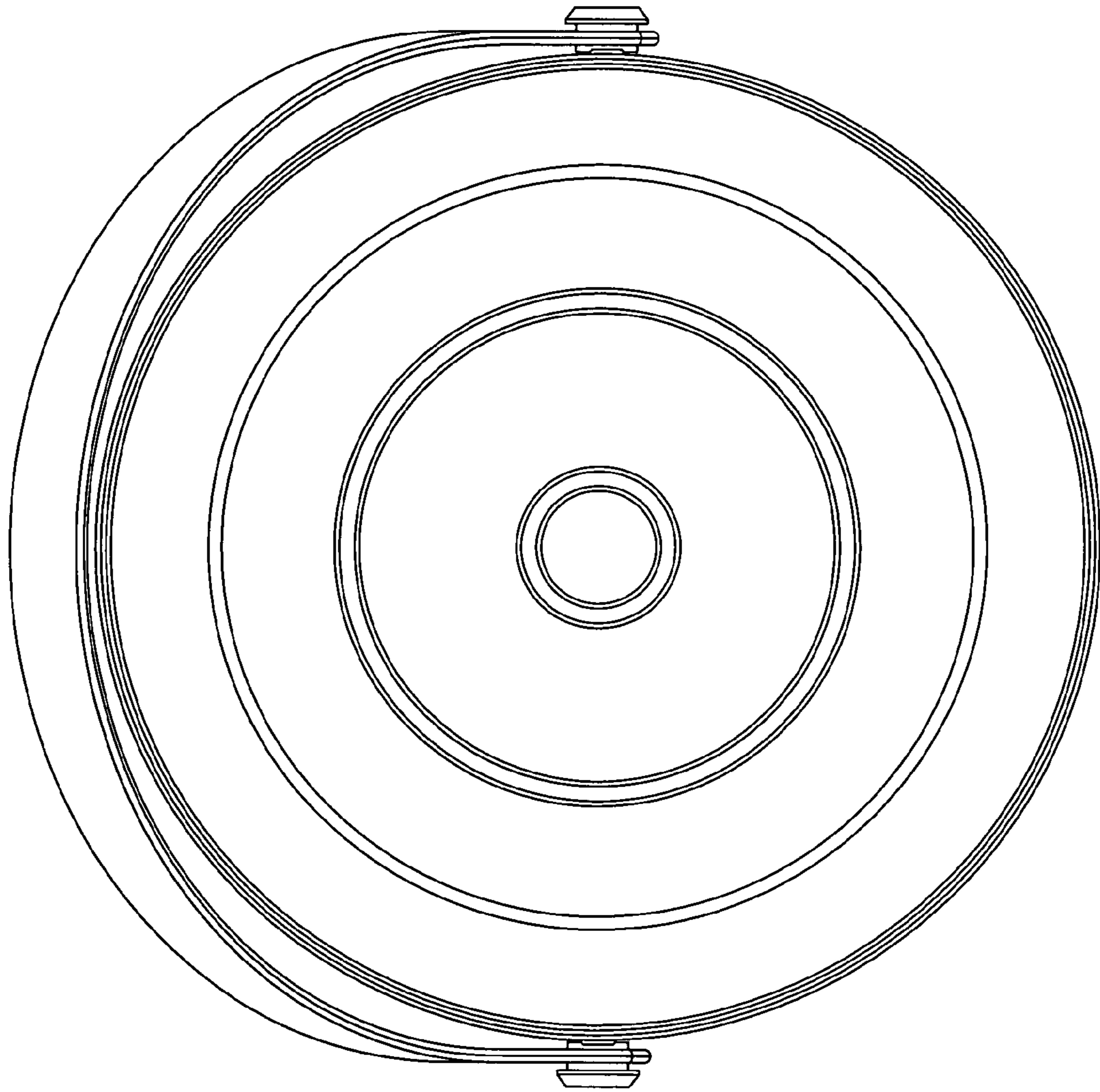


FIG. 6

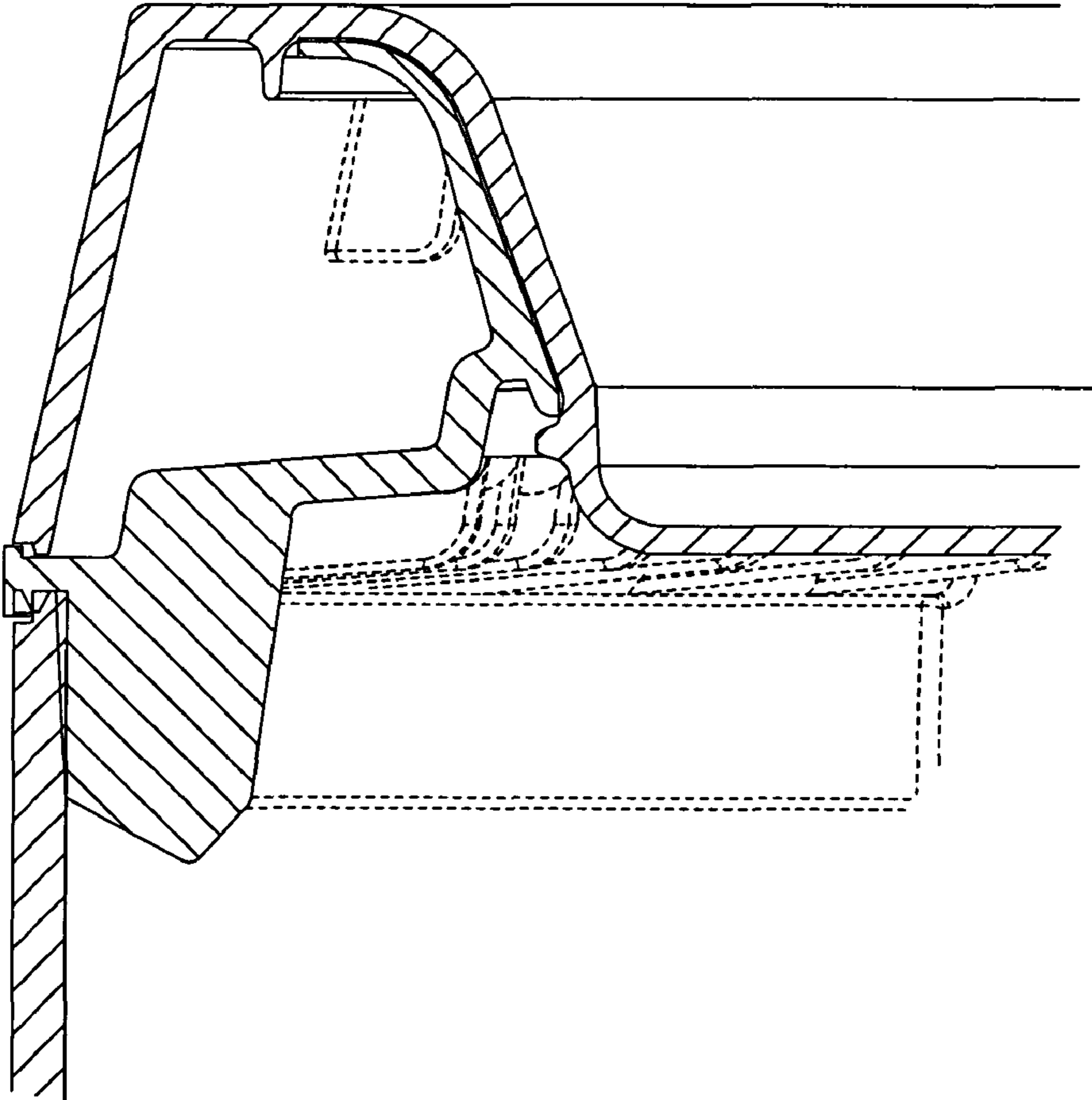


FIG. 7