



US00D635848S

(12) **United States Design Patent**
Lawrence et al.

(10) **Patent No.:** **US D635,848 S**
(45) **Date of Patent:** **** *Apr. 12, 2011**

(54) **CONTAINER**

(75) Inventors: **Gary W. Lawrence**, Villa Park, IL (US);
Roman Forowycz, Lake Forest, IL (US)

(73) Assignee: **Clear Lam Packaging, Inc.**, Elk Grove
Village, IL (US)

(*) Notice: This patent is subject to a terminal dis-
claimer.

(**) Term: **14 Years**

(21) Appl. No.: **29/357,643**

(22) Filed: **Mar. 15, 2010**

(51) **LOC (9) Cl.** **09-03**

(52) **U.S. Cl.** **D9/425; D9/430; D9/431**

(58) **Field of Classification Search** D9/414,
D9/419, 424, 425, 430, 431, 432, 761; D7/538,
D7/549, 550.1, 601-603, 605, 629; 229/105,
229/117.09, 117.26, 189, 406, 407, 902,
229/905, 915.1; 220/23.4, 23.6, 266, 281,
220/315, 318, 500, 659, 669, 674, 675, 696,
220/752, 760, 790, 793, DIG. 12, FOR. 117;
206/499, 508, 557; D3/276

See application file for complete search history.

(56) **References Cited**

U.S. PATENT DOCUMENTS

D212,594	S	*	11/1968	Collie	D9/425
3,424,342	A	*	1/1969	Scopp et al.	220/793
D213,310	S	*	2/1969	Collie	D9/425
3,447,714	A	*	6/1969	Elliot	206/1.5
D319,978	S	*	9/1991	Wolff	D9/431
D374,155	S	*	10/1996	Feer et al.	D7/602
D429,464	S	*	8/2000	Helms	D9/431
D512,278	S	*	12/2005	Schultz et al.	D7/629
D588,451	S	*	3/2009	Snedden et al.	D9/425
D593,369	S	*	6/2009	Green et al.	D7/602
2004/0118737	A1	*	6/2004	Welsh et al.	206/508

* cited by examiner

Primary Examiner — Thomas J Johannes

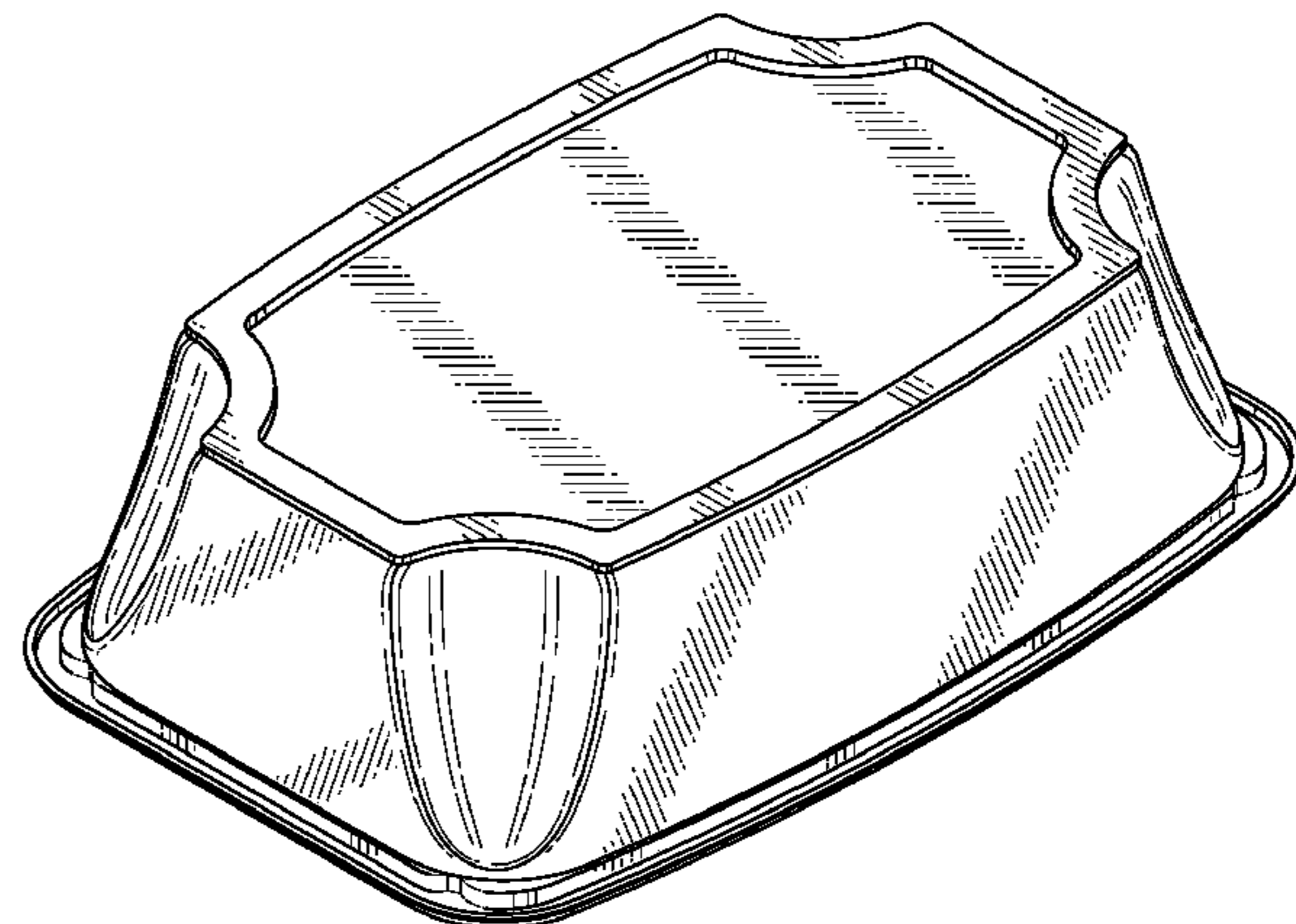
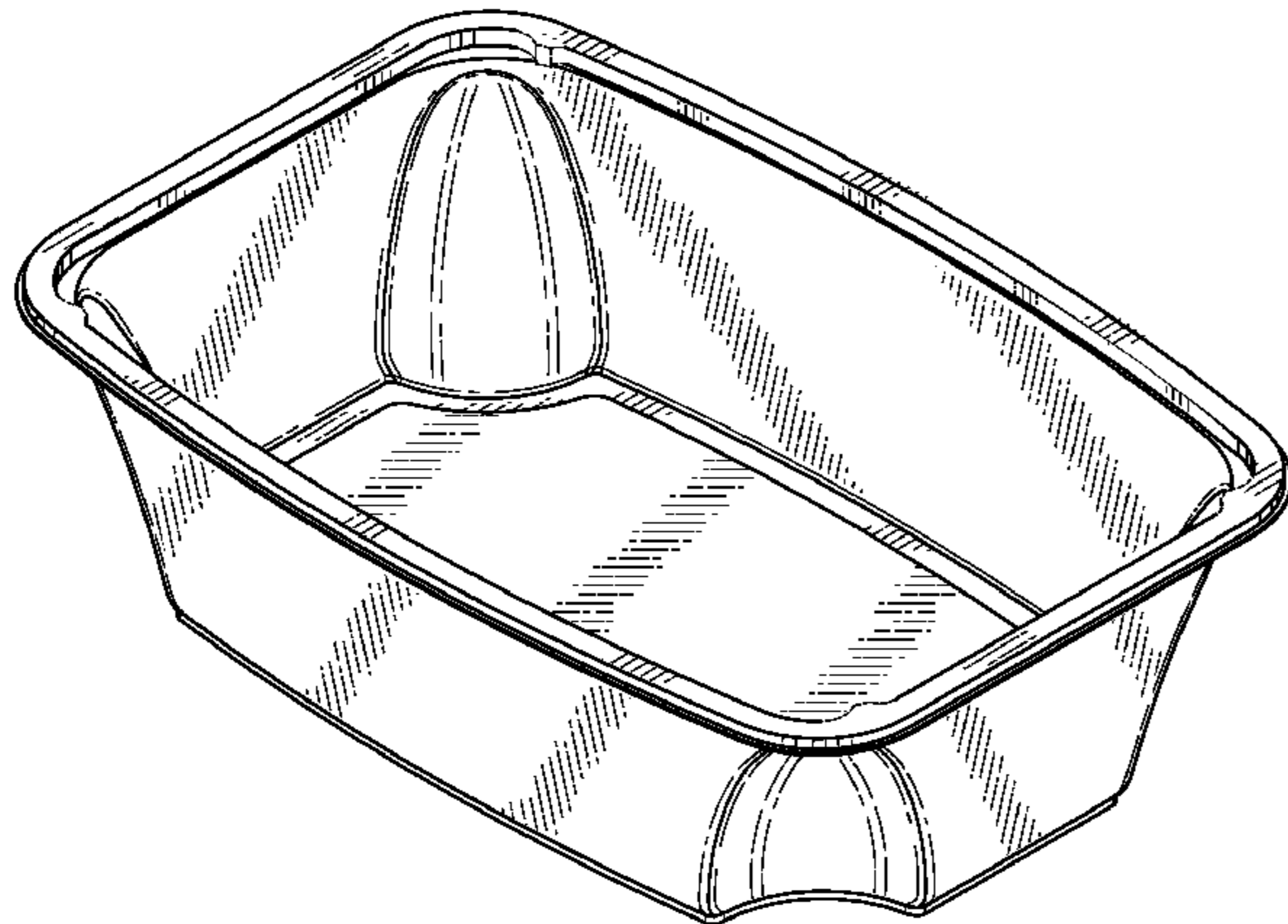
(57) **CLAIM**

An ornamental design for a container, as shown and
described.

DESCRIPTION

FIG. 1 is a top perspective view of the container showing our
new design;
FIG. 2 is a bottom perspective view thereof;
FIG. 3 is a top view thereof;
FIG. 4 is a bottom view thereof;
FIG. 5 is an inverted left side elevation view thereof;
FIG. 6 is a right side view thereof;
FIG. 7 is an inverted front side elevation view thereof; and,
FIG. 8 is a back side elevation view thereof.

1 Claim, 5 Drawing Sheets



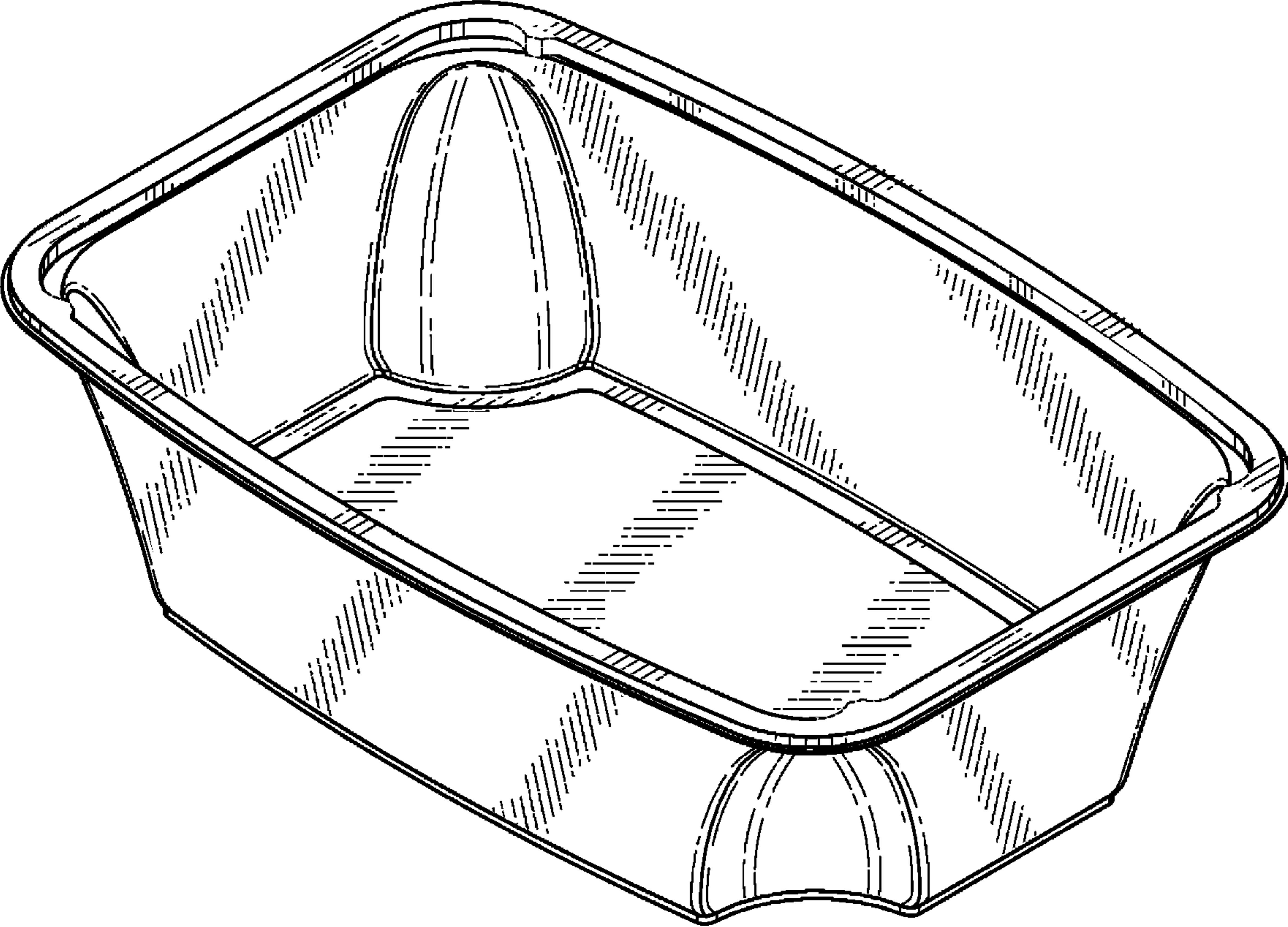


FIG. 1

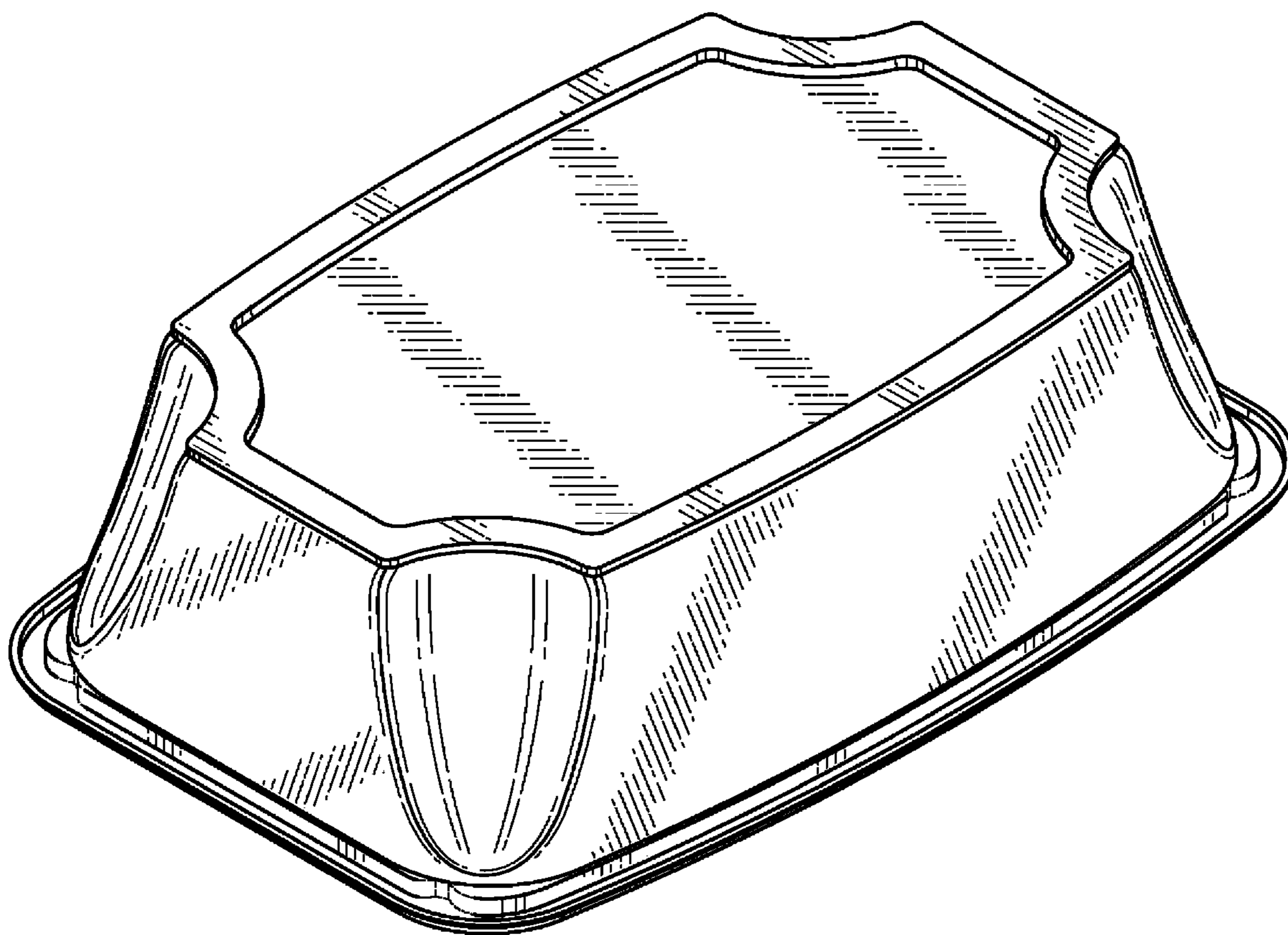


FIG. 2

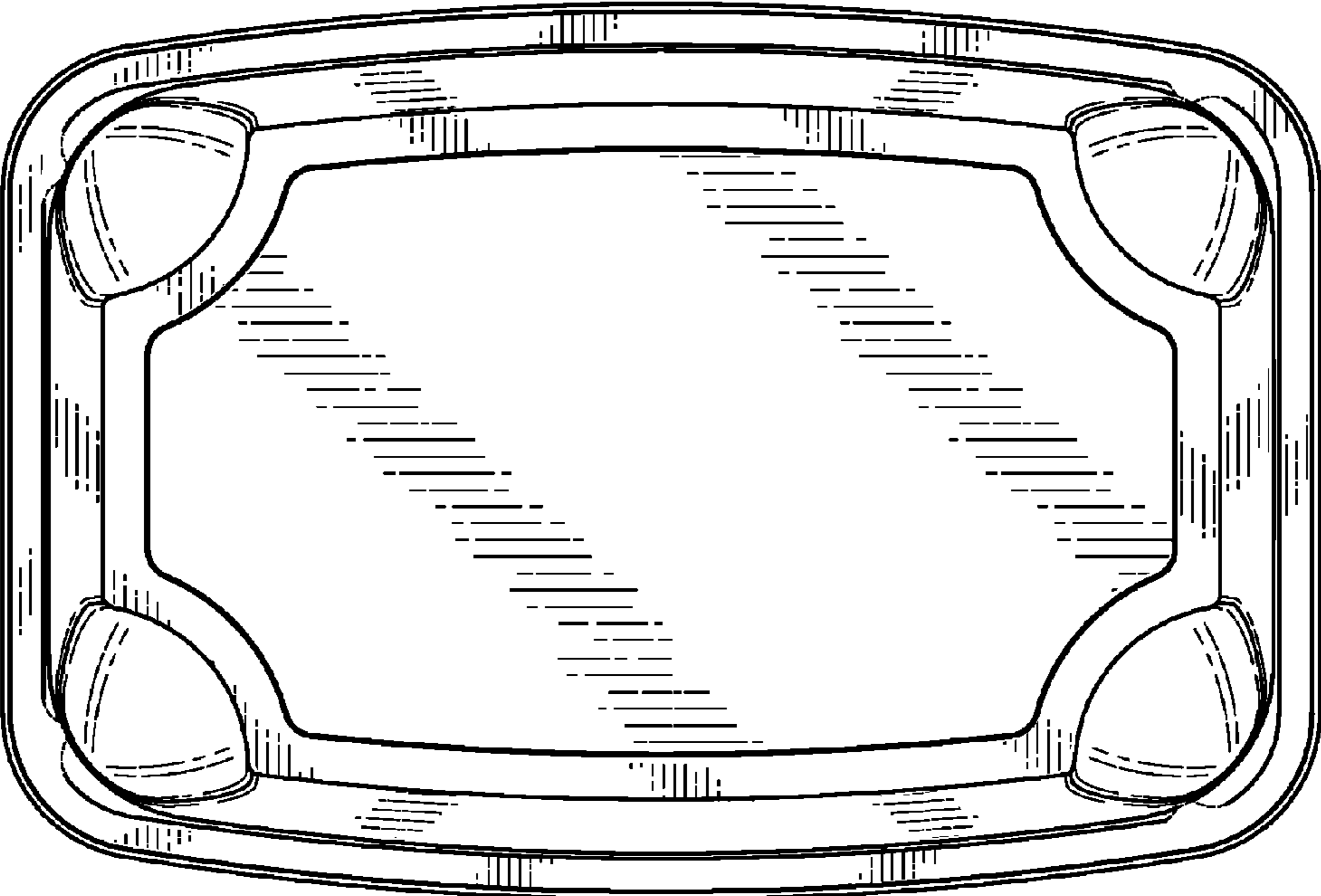


FIG. 3

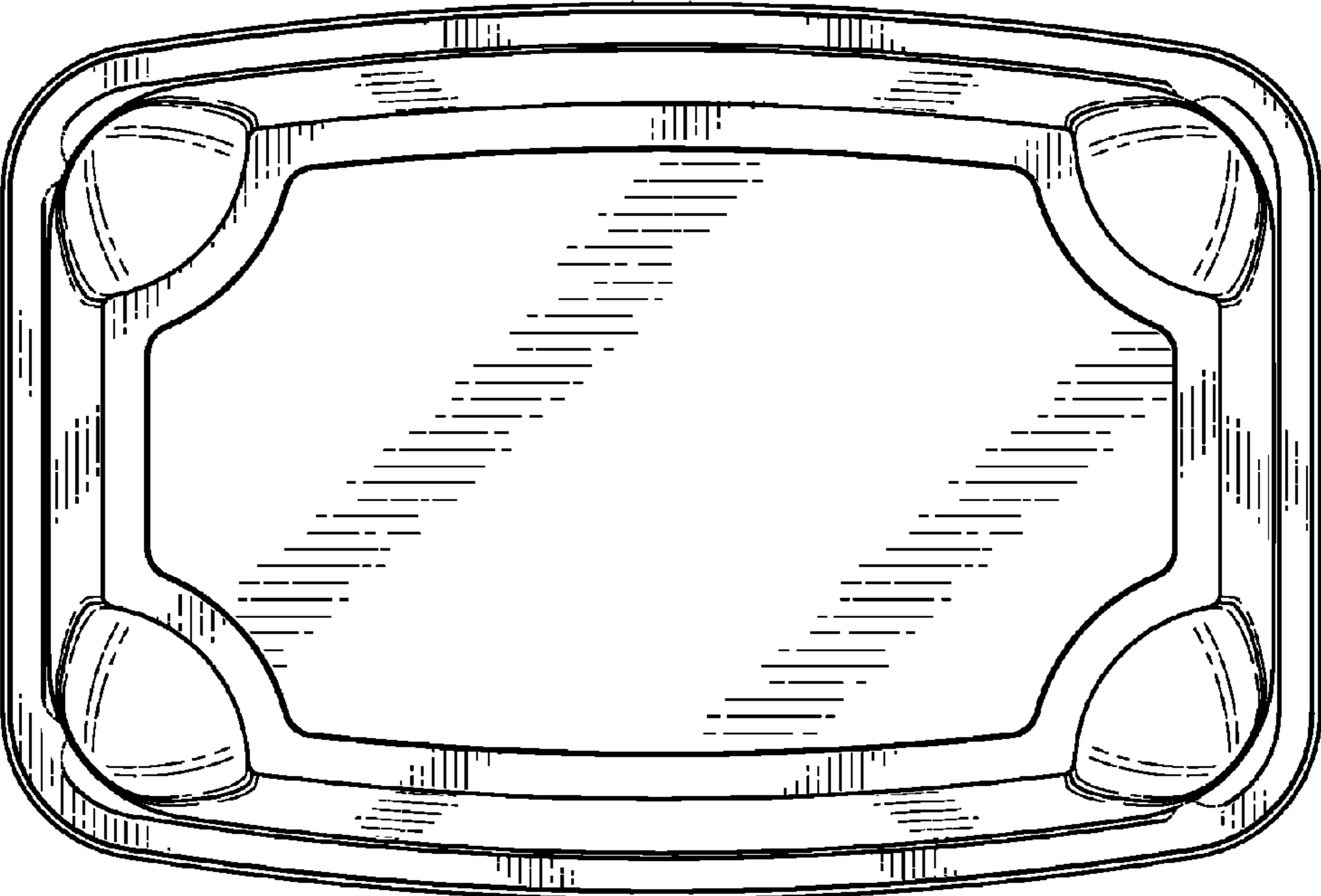


FIG. 4

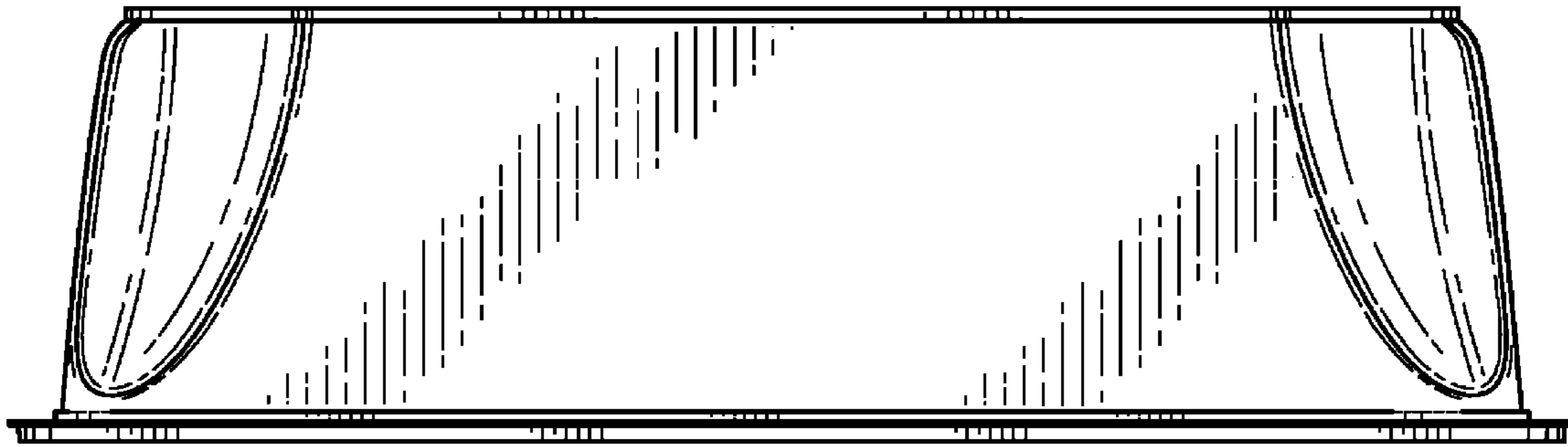


FIG. 5

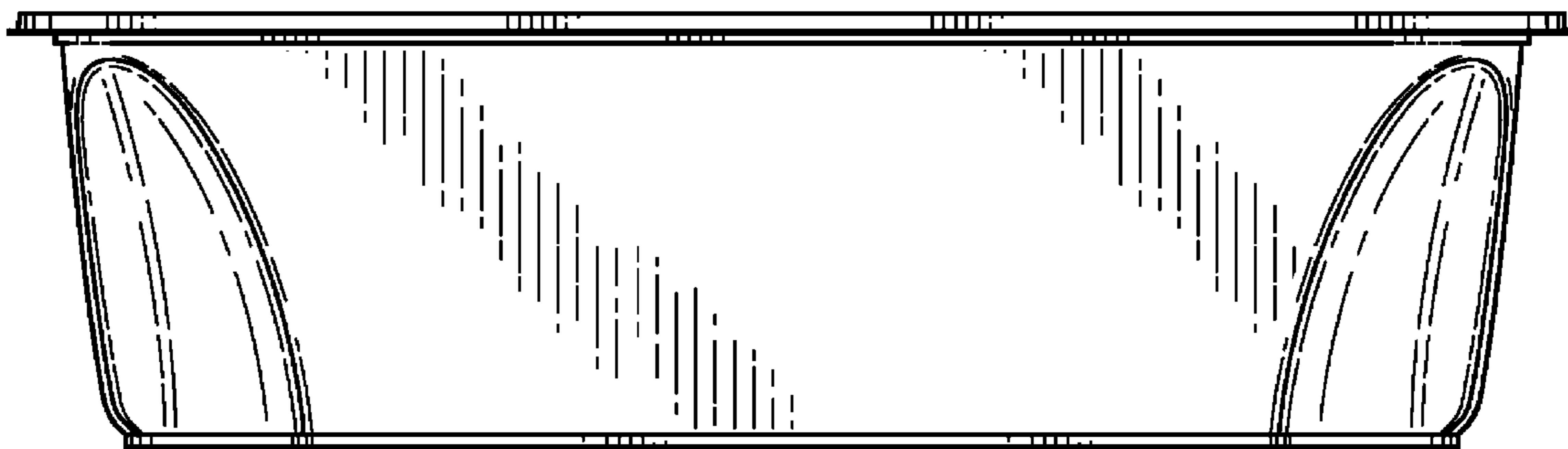


FIG. 6

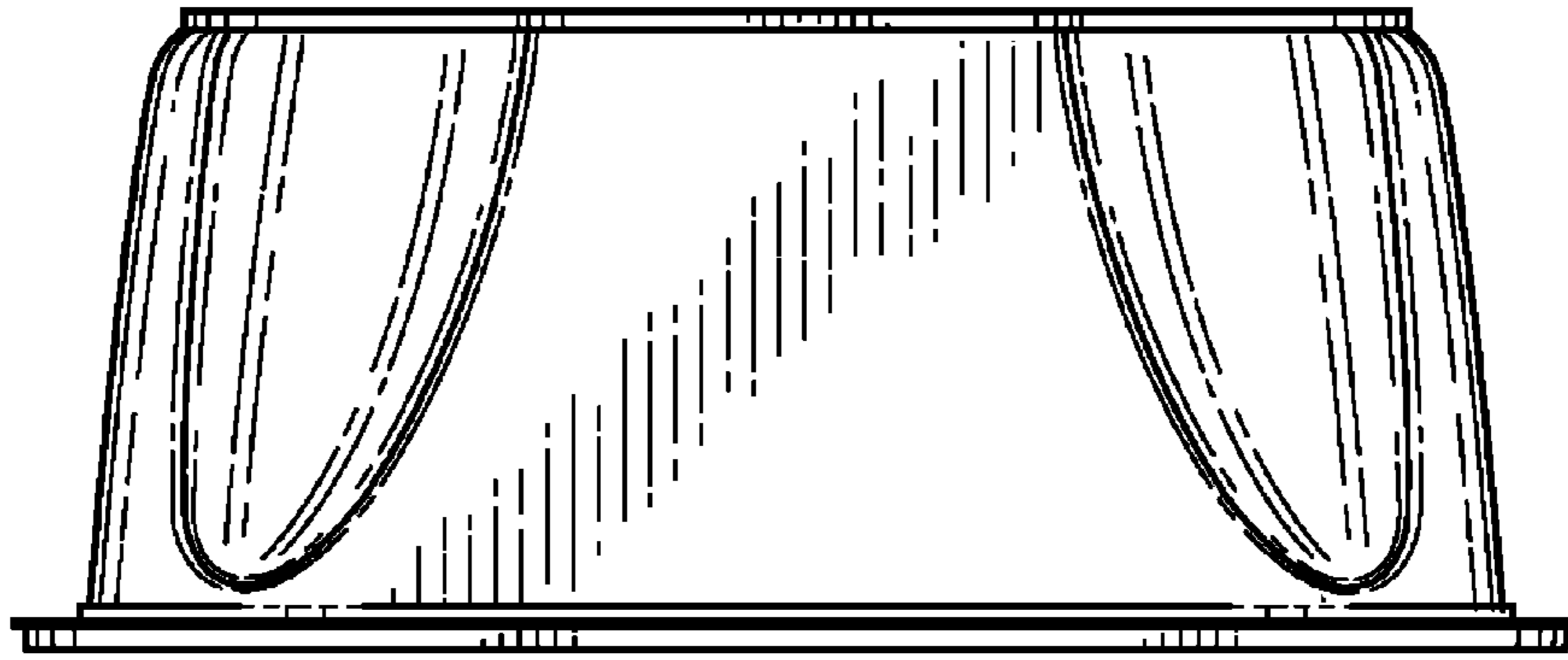


FIG. 7

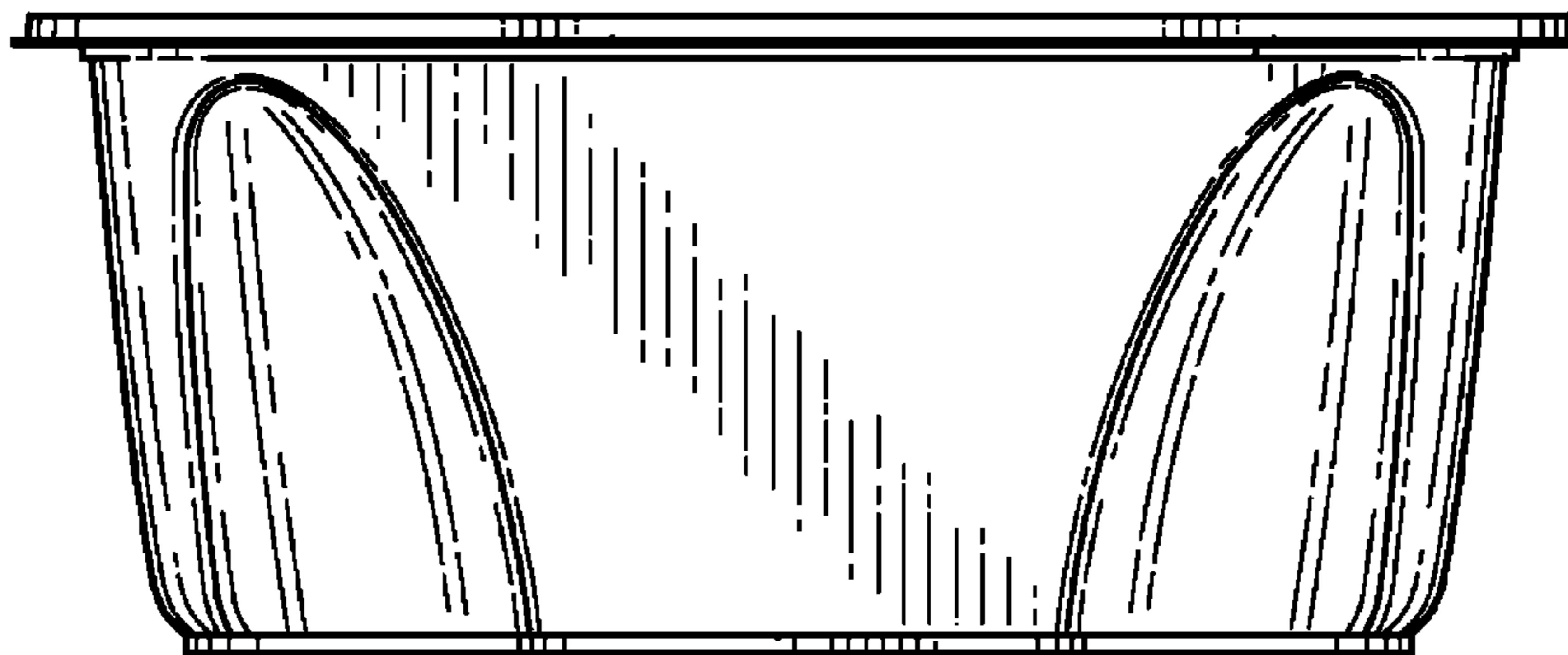


FIG. 8