

US00D635847S

(12) **United States Design Patent**  
**Olsson et al.**

(10) **Patent No.:** **US D635,847 S**

(45) **Date of Patent:** **\*\* Apr. 12, 2011**

(54) **EDGE PROTECTOR**

(75) Inventors: **Kristoffer Olsson**, Oxelosund (SE);  
**Fred Ahlund**, Nykoping (SE); **Fredrik Rosenlind**, Nykoping (SE)

(73) Assignee: **Lamiflex AB**, Nykoping (SE)

(\*\*) Term: **14 Years**

(21) Appl. No.: **29/362,221**

(22) Filed: **May 21, 2010**

(51) **LOC (9) Cl.** ..... **08-09**

(52) **U.S. Cl.** ..... **D8/403**

(58) **Field of Classification Search** ..... D8/354,  
D8/400, 402-403, 499; D9/434; D25/119,  
D25/164; D34/35; D15/28; 312/137; 248/345.1  
See application file for complete search history.

(56) **References Cited**

**U.S. PATENT DOCUMENTS**

D110,435 S *	7/1938	Lowry	.....	D25/119
D117,893 S *	12/1939	Bonnell	.....	D25/121
3,922,408 A *	11/1975	Smith	.....	428/40.1
4,712,695 A *	12/1987	Cheng	.....	211/191
D314,938 S *	2/1991	Anderson	.....	D12/217
D331,010 S *	11/1992	Garner	.....	D8/403
D383,058 S *	9/1997	Riley et al.	.....	D8/499
D411,739 S *	6/1999	Havens	.....	D8/403
D427,512 S *	7/2000	Bensen	.....	D8/400

D479,799 S *	9/2003	Zamberg et al.	.....	D8/403
D507,131 S *	7/2005	Pingel	.....	D6/491
D527,622 S *	9/2006	DePaul	.....	D8/403
D529,290 S *	10/2006	Schloss	.....	D3/318
D529,291 S *	10/2006	Schloss	.....	D3/318
D533,449 S *	12/2006	DePaul	.....	D8/403
D542,645 S *	5/2007	Kovace	.....	D8/403

\* cited by examiner

*Primary Examiner* — Elizabeth A Albert

*Assistant Examiner* — Kelley A Donnelly

(74) *Attorney, Agent, or Firm* — Holland & Hart LLP

(57) **CLAIM**

The ornamental design for an edge protector, as shown and described.

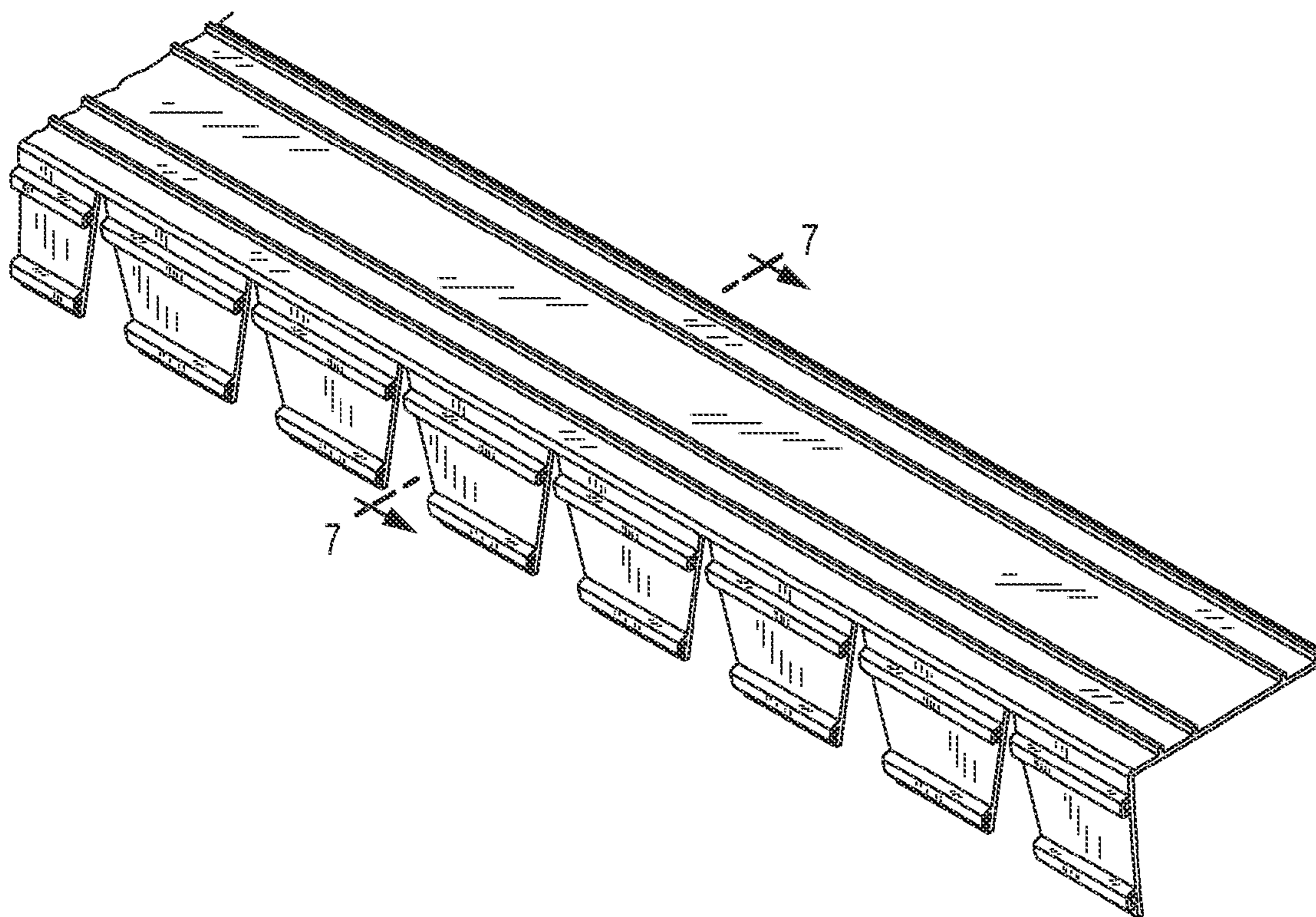
**DESCRIPTION**

FIG. 1 is a perspective view of the edge protector;  
FIG. 2 is a rear view thereof;  
FIG. 3 is a front view thereof;  
FIG. 4 is a top view thereof;  
FIG. 5 is a bottom plan view thereof;  
FIG. 6 is an end view thereof; and,  
FIG. 7 is a cross-sectional view of FIG. 1 thereof.

The break lines shown in FIGS. 1 through 5 are not part of the claimed design and represent that no particular length is claimed.

On the upper surface, ribbons are arranged for enabling a strapping to encircle the edge protector when applied.

**1 Claim, 6 Drawing Sheets**



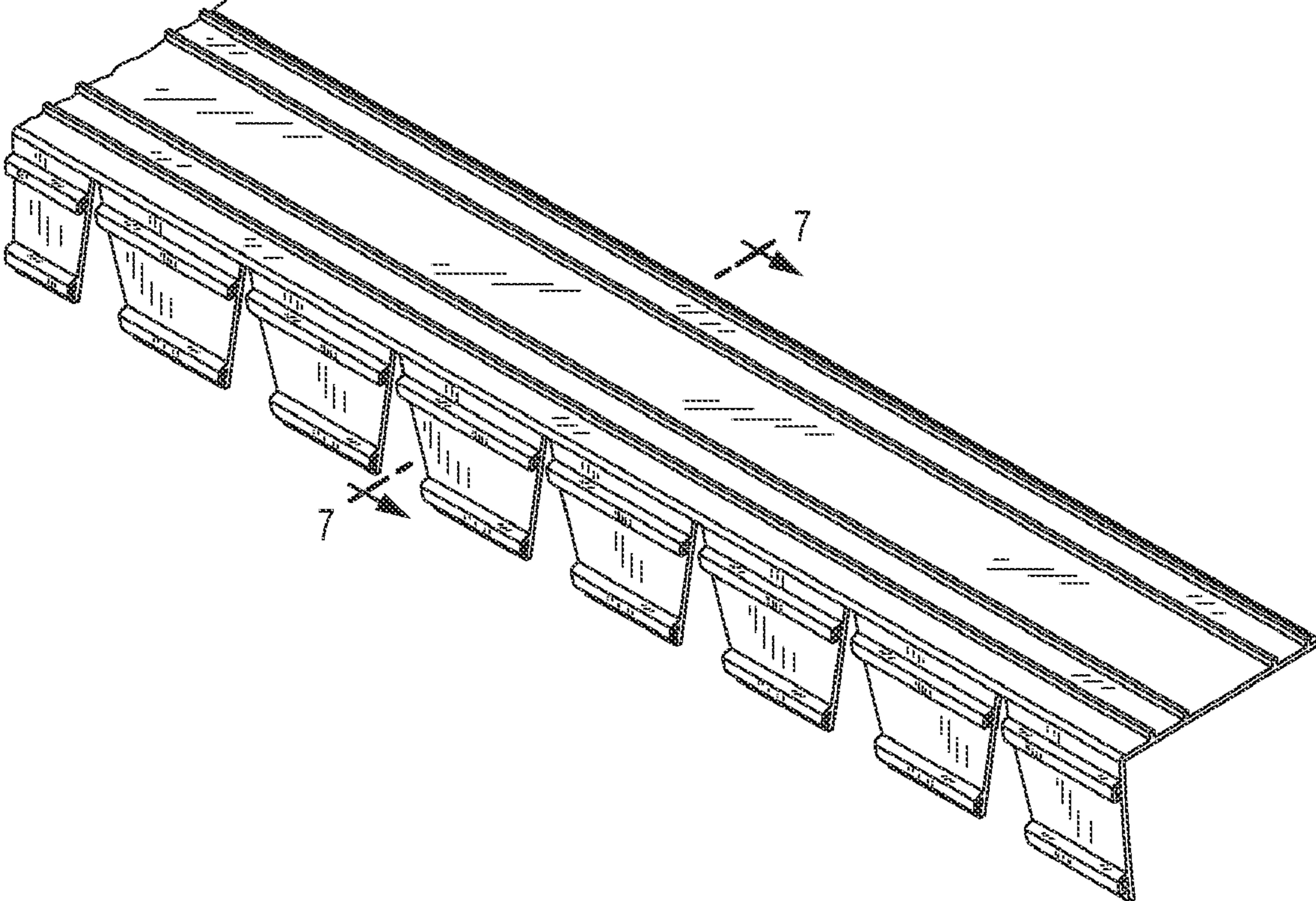


FIG. 1

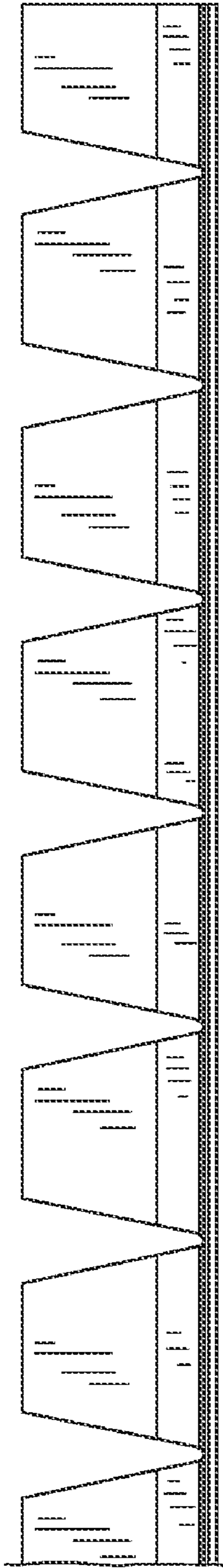


FIG.2

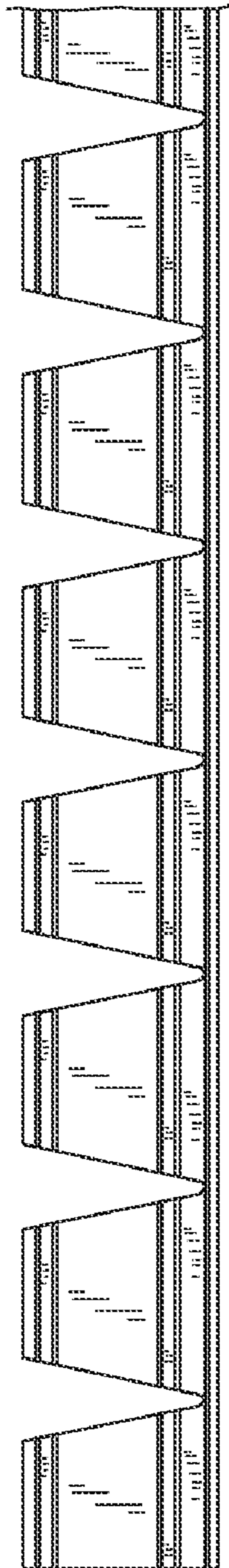


FIG. 3

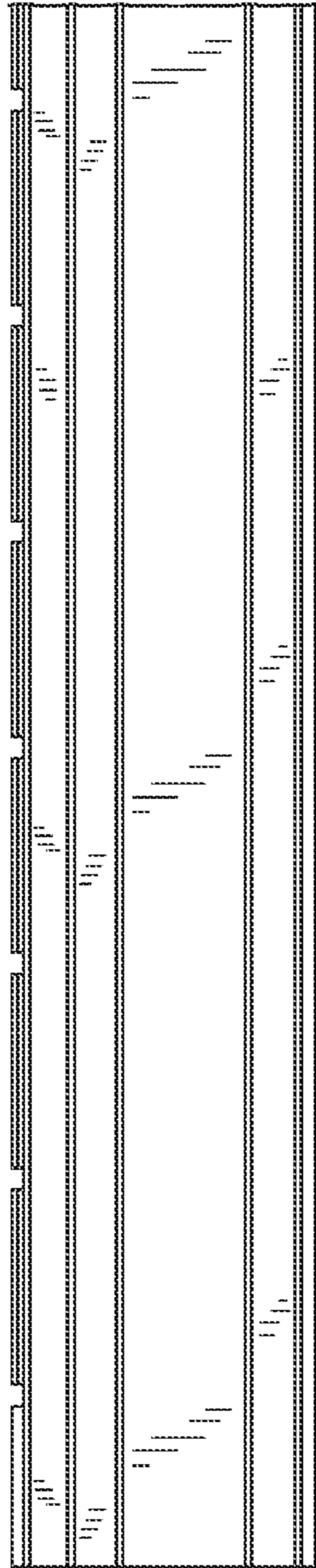


FIG.4

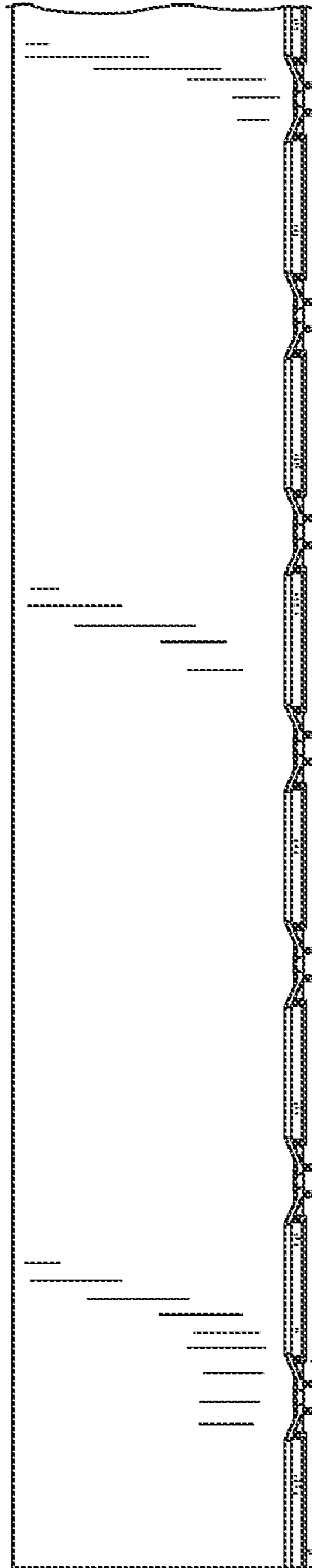


FIG. 5

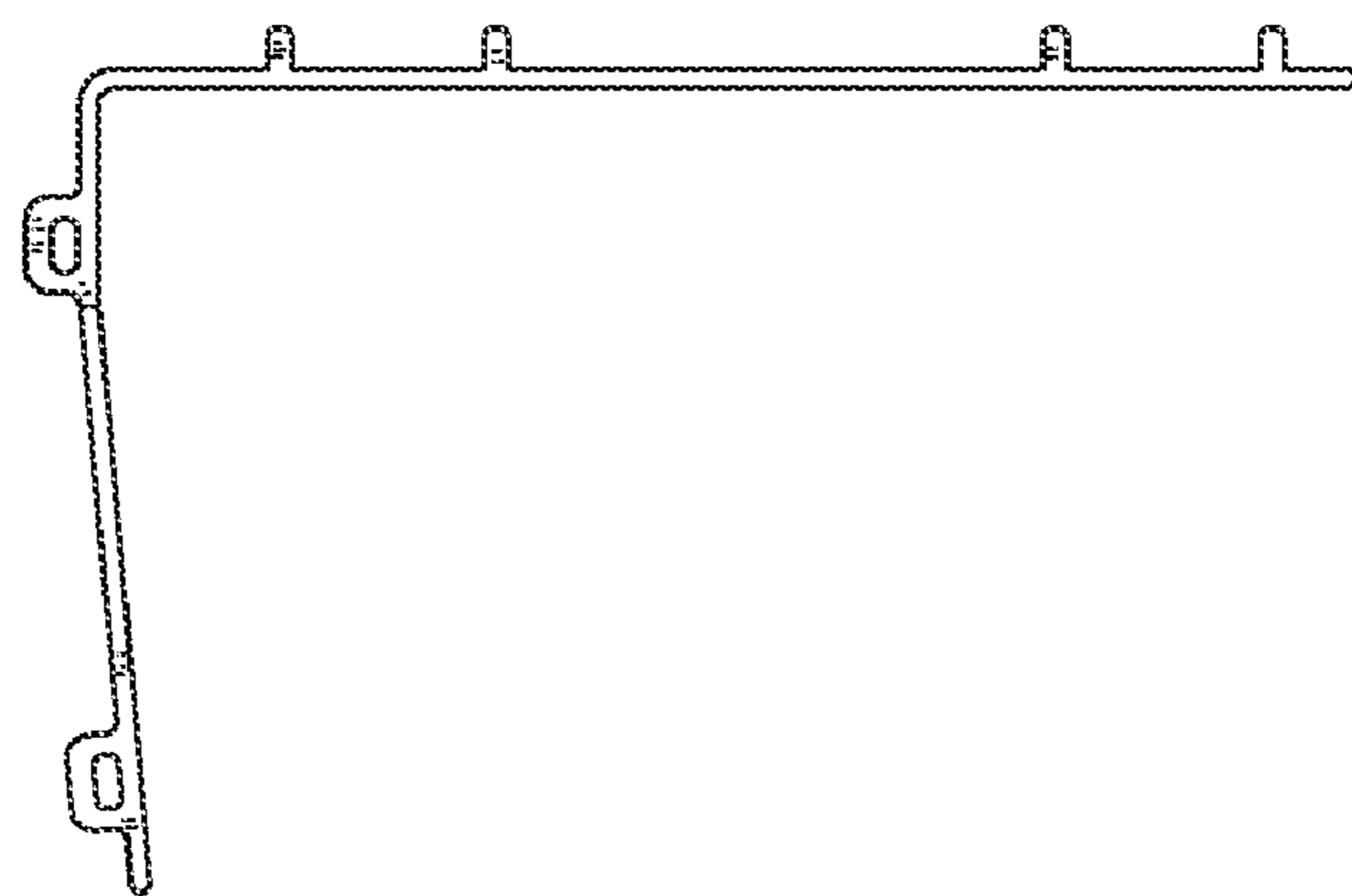


FIG. 6

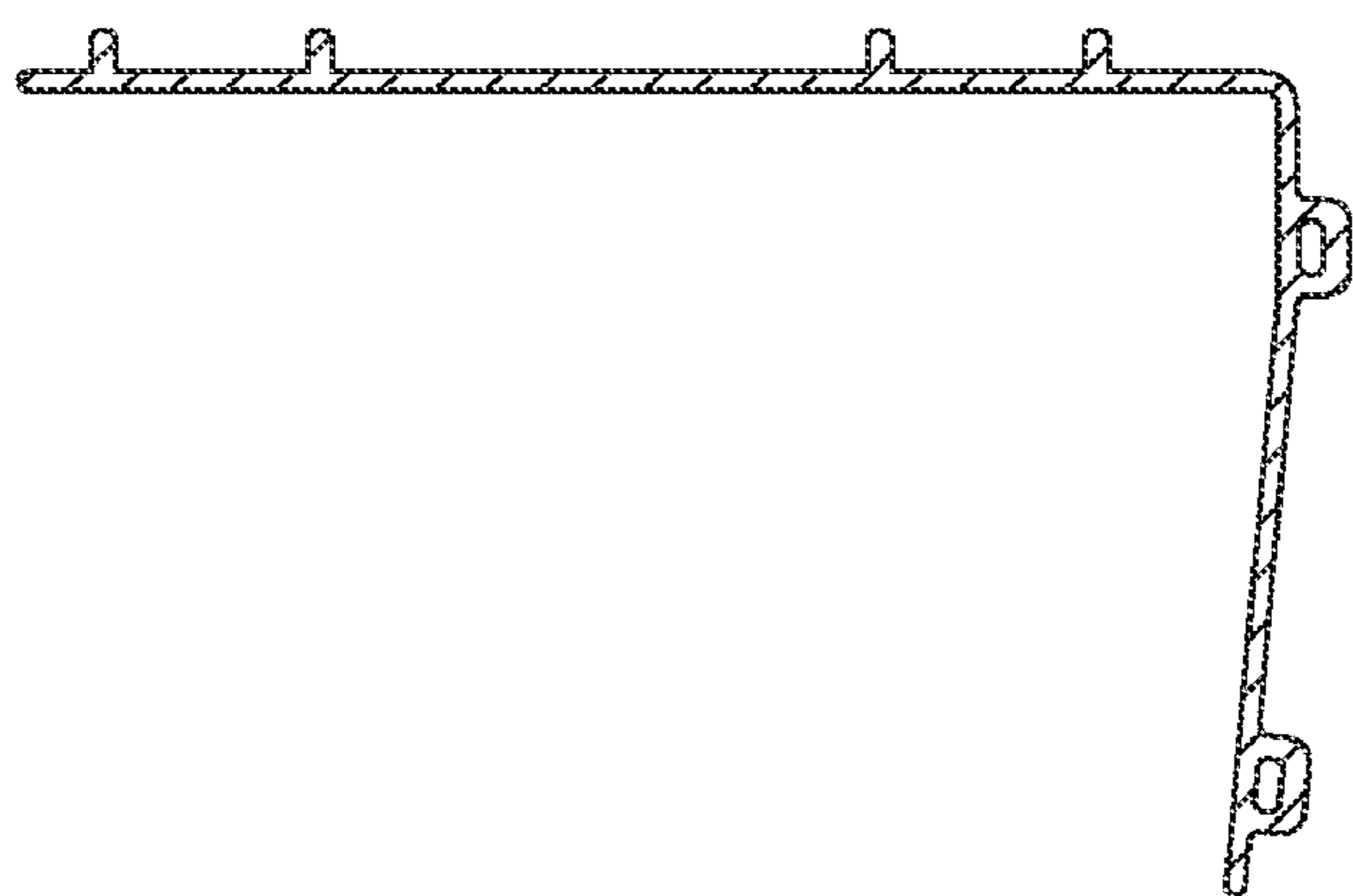


FIG. 7