

US00D635846S

(12) **United States Design Patent**  
**Klein et al.**

(10) **Patent No.:** **US D635,846 S**  
(45) **Date of Patent:** **\*\* Apr. 12, 2011**

(54) **HOOK**

(75) Inventors: **Richard B. Klein**, Overland Park, KS (US); **Mark A. Etter**, Independence, MO (US); **Brian Everett**, Shawnee, KS (US)

(73) Assignee: **Lynk, Inc.**, Shawnee Mission, KS (US)

(\*\*) Term: **14 Years**

(21) Appl. No.: **29/356,955**

(22) Filed: **Mar. 4, 2010**

(51) **LOC (9) Cl.** ..... **08-05**

(52) **U.S. Cl.** ..... **D8/372**

(58) **Field of Classification Search** ..... D8/367,  
D8/373, 370, 372; 248/301–304, 214–215  
See application file for complete search history.

(56) **References Cited**

U.S. PATENT DOCUMENTS

D479,794 S	9/2003	Snell	
D577,575 S *	9/2008	Ernst et al.	D8/373
D577,576 S *	9/2008	Ernst et al.	D8/373
D584,939 S	1/2009	Snell	
D609,556 S	2/2010	Adams	
D613,151 S *	4/2010	Goodman et al.	D8/367
D613,588 S *	4/2010	Goodman et al.	D8/367

OTHER PUBLICATIONS

“Bronze Double Hook—Over the Drawer/Cabinet by Spectrum”. Posted Date: Unknown; Printed Date: Nov. 12, 2010; <amazon.com>. Selected photo(s) on the cited website are submitted as enlarged photo(s) on attached, separate sheet(s). “Admitted Prior Art”.

“Oxo Over-the-Door Hooks”. Posted Date: Unknown; Printed Date: Nov. 12, 2010; <bedbathandbeyond.com>. Selected photo(s) on the cited website are submitted as enlarged photo(s) on attached, separate sheet(s). “Admitted Prior Art”.

“Over-the-Cube Hook”. Posted Date: Unknown; Printed Date: Nov. 12, 2010; <bedbathandbeyond.com>. Selected photo(s) on the cited website are submitted as enlarged photo(s) on attached, separate sheet(s). “Admitted Prior Art”.

“Stratford Series Satin Nickel Over-the-Door & Wall Mount Hooks”. Posted Date: Unknown; Printed Date: Nov. 12, 2010; <bedbathandbeyond.com>. Selected photo(s) on the cited website are submitted as enlarged photo(s) on attached, separate sheet(s). “Admitted Prior Art”.

“Marcel Bronze Over-the-Cabinet Towel Holders”. Posted Date: Unknown; Printed Date: Nov. 12, 2010; <bedbathandbeyond.com>. Selected photo(s) on the cited website are submitted as enlarged photo(s) on attached, separate sheet(s). “Admitted Prior Art”.

“Formbu Square Hook Racks”. Posted Date: Unknown; Printed Date: Nov. 12, 2010; <bedbathandbeyond.com>. Selected photo(s) on the cited website are submitted as enlarged photo(s) on attached, separate sheet(s). “Admitted Prior Art”.

(Continued)

*Primary Examiner* — Holly H Baynham

(74) *Attorney, Agent, or Firm* — Hovey Williams LLP

(57) **CLAIM**

The ornamental design for a hook, as shown and described.

**DESCRIPTION**

FIG. 1 is a first perspective view of a hook embodying the design;

FIG. 2 is a second perspective view of the hook of FIG. 1;

FIG. 3 is a front elevation view of the hook of FIG. 1;

FIG. 4 is a side elevation view of the hook of FIG. 1, with the opposite side elevation view being essentially a mirror image thereof;

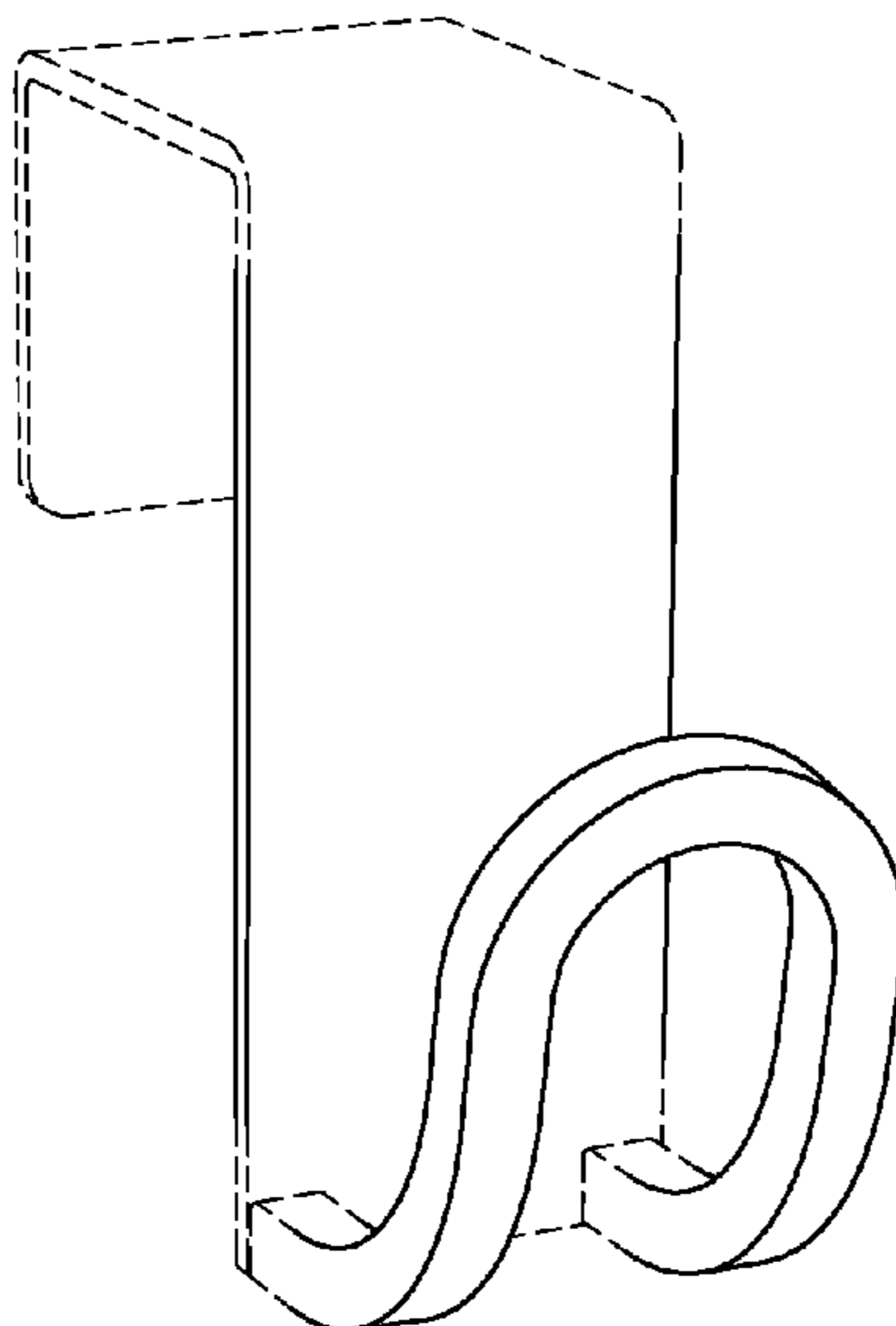
FIG. 5 is a rear elevation view of the hook of FIG. 1;

FIG. 6 is a top-down plan view of the hook of FIG. 1; and,

FIG. 7 is a bottom-up plan view of the hook of FIG. 1.

The broken line showing of a portion of the hook structure is included for the purpose of illustrating environment and forms no part of the claimed design.

**1 Claim, 2 Drawing Sheets**



## OTHER PUBLICATIONS

“Axis Over-the-Door Quad Hooks”. Posted Date: Unknown; Printed Date: Nov. 12, 2010; <bedbathandbeyond.com>. Selected photo(s) on the cited website are submitted as enlarged photo(s) on attached, separate sheet(s). “Admitted Prior Art”.

“Formbu Over-The-Cabinet Towel Organizers”. Posted Date: Unknown; Printed Date: Nov. 12, 2010; <bedbathandbeyond.com>. Selected photo(s) on the cited website are submitted as enlarged photo(s) on attached, separate sheet(s). “Admitted Prior Art”.

“Over the Cabinet Hooks”. Posted Date: Unknown; Printed Date: Nov. 12, 2010; <mileskimball.com>. Selected photo(s) on the cited website are submitted as enlarged photo(s) on attached, separate sheet(s). “Admitted Prior Art”.

“Adjustable Stainless Steel Double Hook”. Posted Date: Unknown; Printed Date: Nov. 12, 2010; <organize-itonline.com>. Selected photo(s) on the cited website are submitted as enlarged photo(s) on attached, separate sheet (s). “Admitted Prior Art”.

“Over the Door Double Storage Hook”. Posted Date: Unknown; Printed Date: Nov. 12, 2010; <organize-it-online.com>. Selected photo(s) on the cited website are submitted as enlarged photo(s) on attached, separate sheet(s). “Admitted Prior Art”.

“Stainless Over Cabinet Door Clip”. Posted Date: Unknown; Printed Date: Nov. 12, 2010; <organize-it-online.com>. Selected photo(s) on the cited website are submitted as enlarged photo(s) on attached, separate sheet(s). “Admitted Prior Art”.

“Over Cabinet Kitchen Hook”. Posted Date: Unknown; Printed Date: Nov. 12, 2010; <organize-it-online.com>. Selected photo(s) on the cited website are submitted as enlarged photo(s) on attached, separate sheet(s). “Admitted Prior Art”.

“Adhesive Hooks (Set of 4)”. Posted Date: Unknown; Printed Date: Nov. 12, 2010; <organize-it-online.com>. Selected photo(s) on the cited website are submitted as enlarged photo(s) on attached, separate sheet(s). “Admitted Prior Art”.

“Cabinet Hook”. Posted Date: Unknown; Printed Date: Nov. 12, 2010; <organize-it-online.com>. Selected photo (s) on the cited website are submitted as enlarged photo(s) on attached, separate sheet(s). “Admitted Prior Art”.

“Over the Door Coat and Hat Double Hook”. Posted Date: Unknown; Printed Date: Nov. 12, 2010; <organize-itonline.com>. Selected photo(s) on the cited website are submitted as enlarged photo(s) on attached, separate sheet (s). “Admitted Prior Art”.

“Over the Door Clothes Valet”. Posted Date: Unknown; Printed Date: Nov. 12, 2010; <organize-it-online.com>. Selected photo(s) on the cited website are submitted as enlarged photo(s) on attached, separate sheet(s). “Admitted Prior Art”.

“Bamboo and Stainless Steel Adhesive Hooks—Formbu (Set of 4)”. Posted Date: Unknown; Printed Date: Nov. 12, 2010; <organizeit.com>. Selected photo(s) on the cited website are submitted as enlarged photo(s) on attached, separate sheet(s). “Admitted Prior Art”.

“Classico S Hook Accessory Hanger”. Posted Date: Unknown; Printed Date: Nov. 12, 2010; <organizeit.com>. Selected photo(s) on the cited website are submitted as enlarged photo(s) on attached, separate sheet(s). “Admitted Prior Art”.

“Freedom Rail Profile Shelf Hooks—White (Set of 4)”. Posted Date: Unknown; Printed Date: Nov. 12, 2010; <organizeit.com>. Selected photo(s) on the cited website are submitted as enlarged photo(s) on attached, separate sheet(s). “Admitted Prior Art”.

“Over the Cabinet Hook”. Posted Date: Unknown; Printed Date: Nov. 12, 2010; <organizeit.com>. Selected photo(s) on the cited website are submitted as enlarged photo(s) on attached, separate sheet(s). “Admitted Prior Art”.

“Stainless Memo Magnets (Set of 2)”. Posted Date: Unknown; Printed Date: Nov. 12, 2010; <organizeit.com>. Selected photo(s) on the cited website are submitted as enlarged photo(s) on attached, separate sheet(s). “Admitted Prior Art”.

“Brushed Nickel Neo Magnetic Hooks—Small (Set of 5)”. Posted Date: Unknown; Printed Date: Nov. 12, 2010; <organizeit.com>. Selected photo(s) on the cited website are submitted as enlarged photo(s) on attached, separate sheet(s). “Admitted Prior Art”.

“Ventilated Wood Shelf L-Hook Hardware”. Posted Date: Unknown; Printed Date: Nov. 12, 2010; <amazon.com>. Selected photo(s) on the cited website are submitted as enlarged photo(s) on attached, separate sheet(s). “Admitted Prior Art”.

“Orbinni Chrome Over the Door Clothing Valet”. Posted Date: Unknown; Printed Date: Nov. 12, 2010; <organize-it-online.com>. Selected photo(s) on the cited website are submitted as enlarged photo(s) on attached, separate sheet (s). “Admitted Prior Art”.

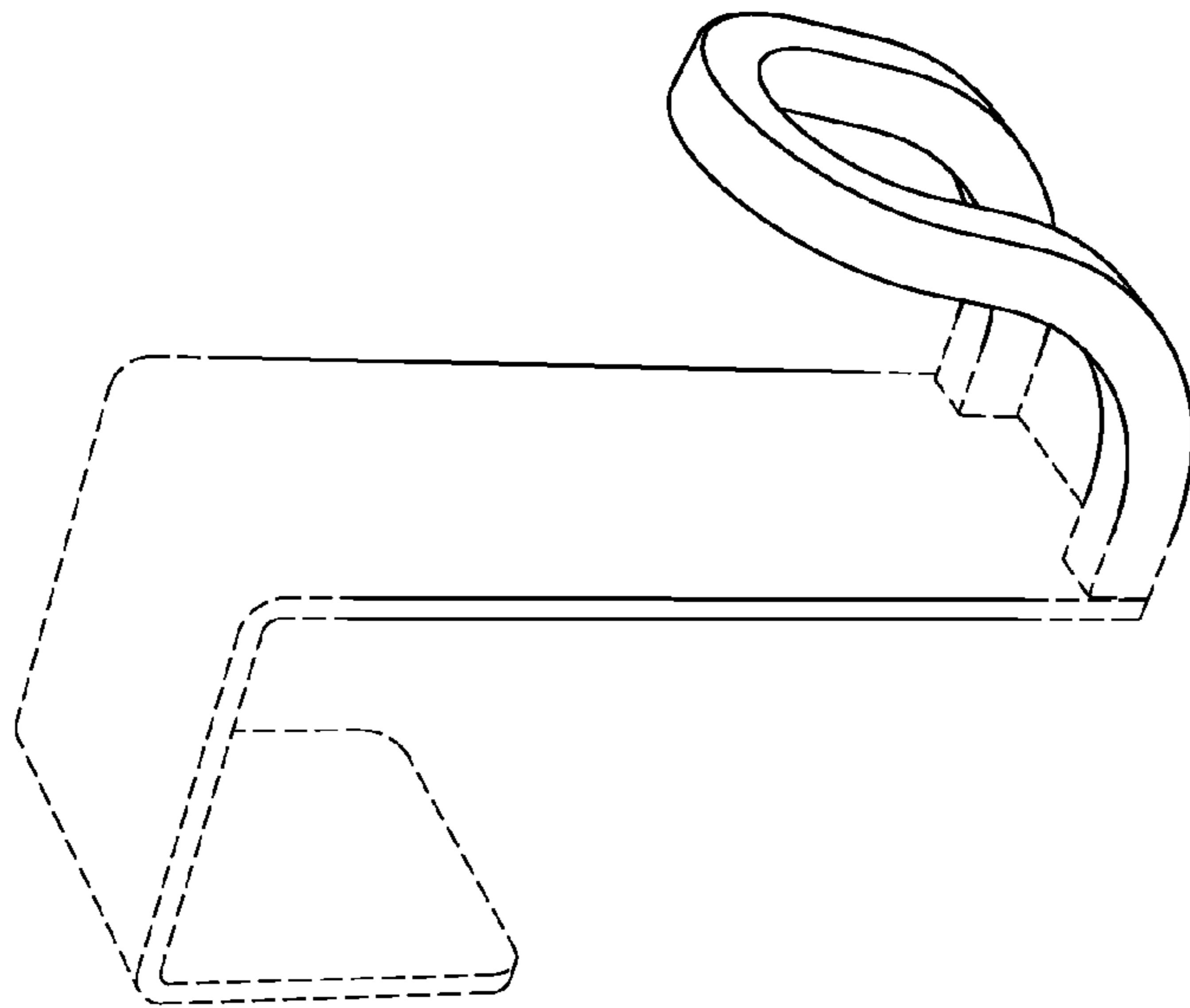
“York Over the Cabinet Hook by InterDesign”. Posted Date: Unknown; Printed Date: Nov. 12, 2010; <spacesavers.com>. Selected photo(s) on the cited website are submitted as enlarged photo(s) on attached, separate sheet(s). “Admitted Prior Art”.

“Forma Over-Cabinet Hook”. Posted Date: Unknown; Printed Date: Nov. 12, 2010; <storables.com>. Selected photo(s) on the cited website are submitted as enlarged photo(s) on attached, separate sheet(s). “Admitted Prior Art”.

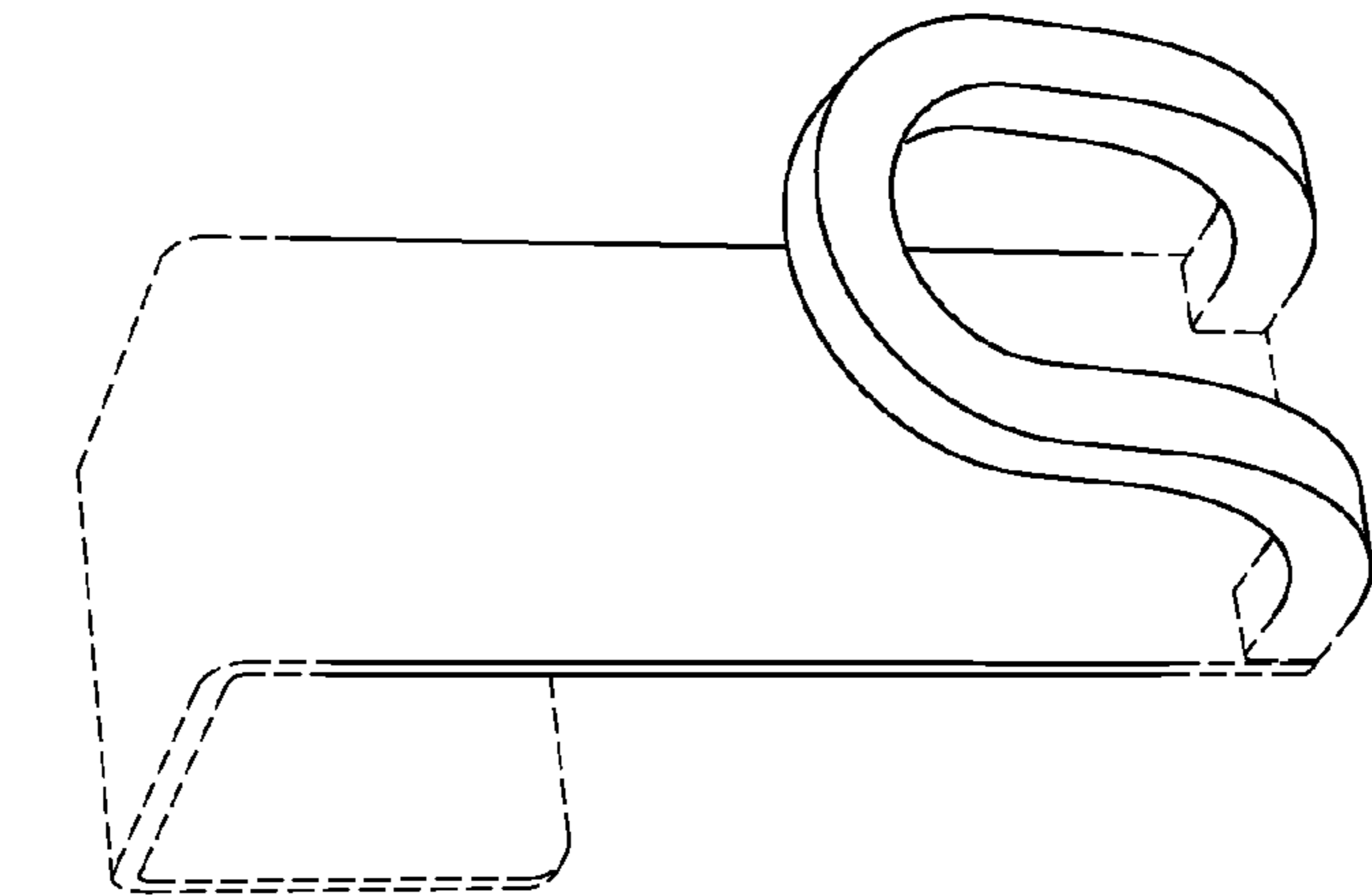
“Results for ‘hooks’”. Posted Date: Unknown; Printed Date: Nov. 12, 2010; <target.com>. “Admitted Prior Art”.

“Over-the-Cabinet Hook—Clear/Stainless Steel”. Posted Date: Unknown; Printed Date: Feb. 9, 2010; <target.com>. “Admitted Prior Art”.

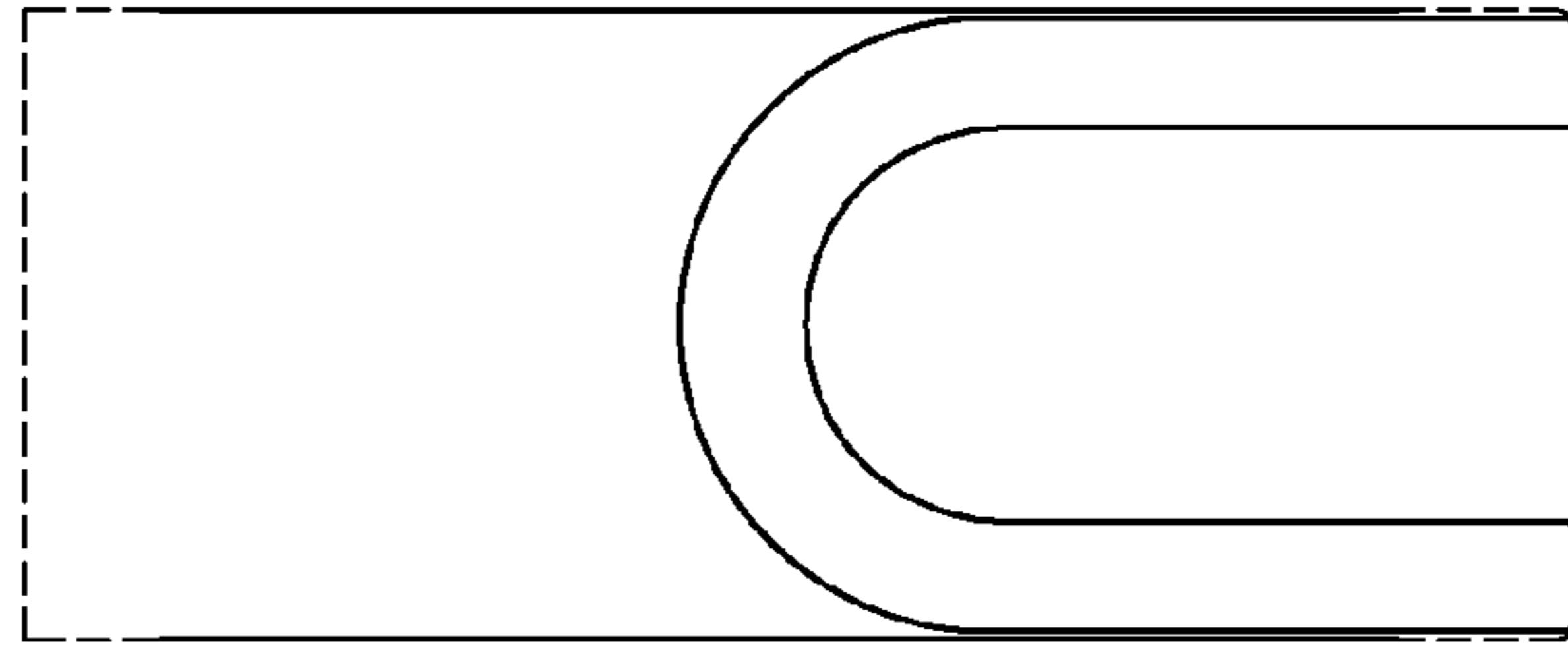
\* cited by examiner



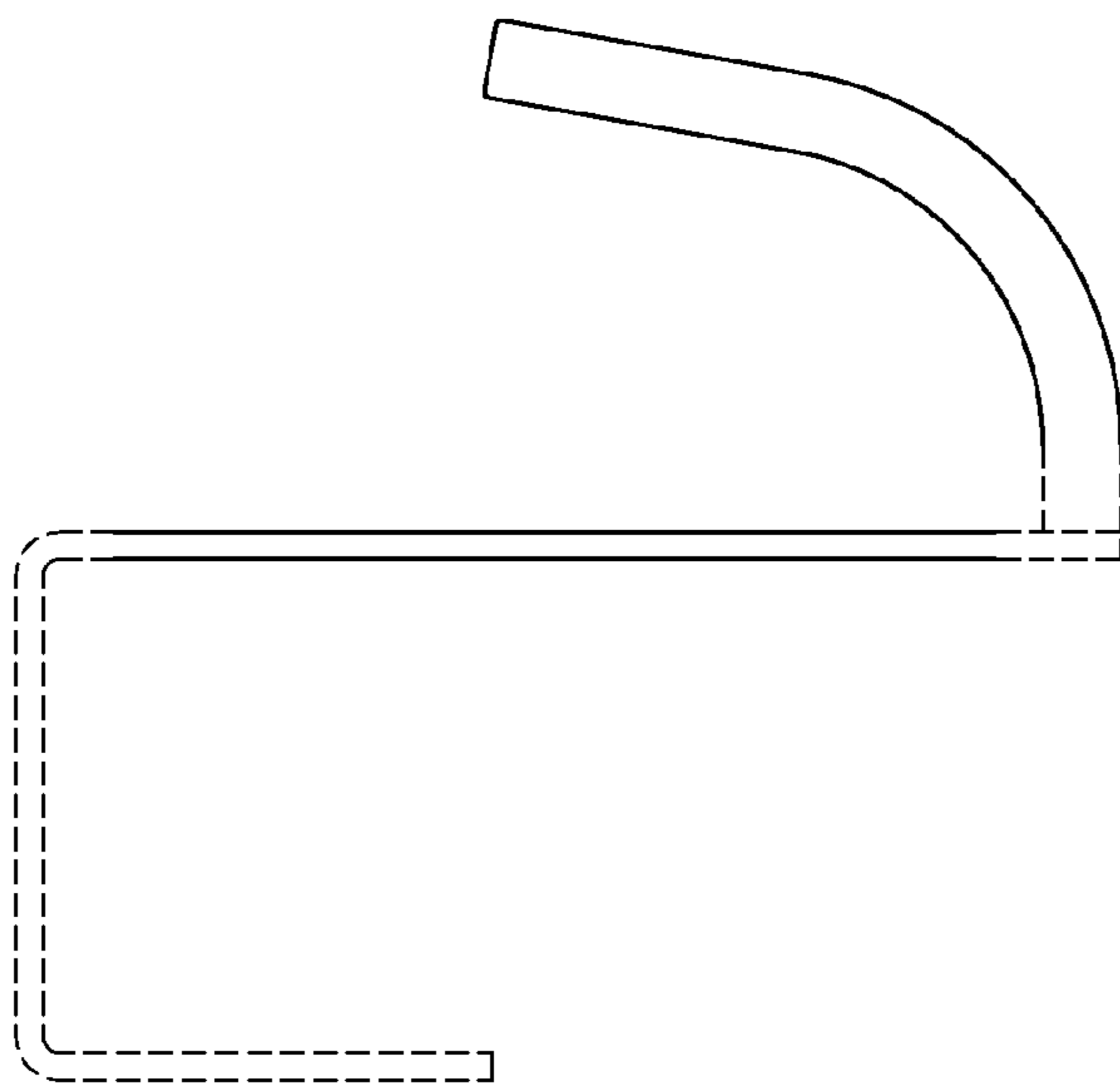
*Fig. 1.*



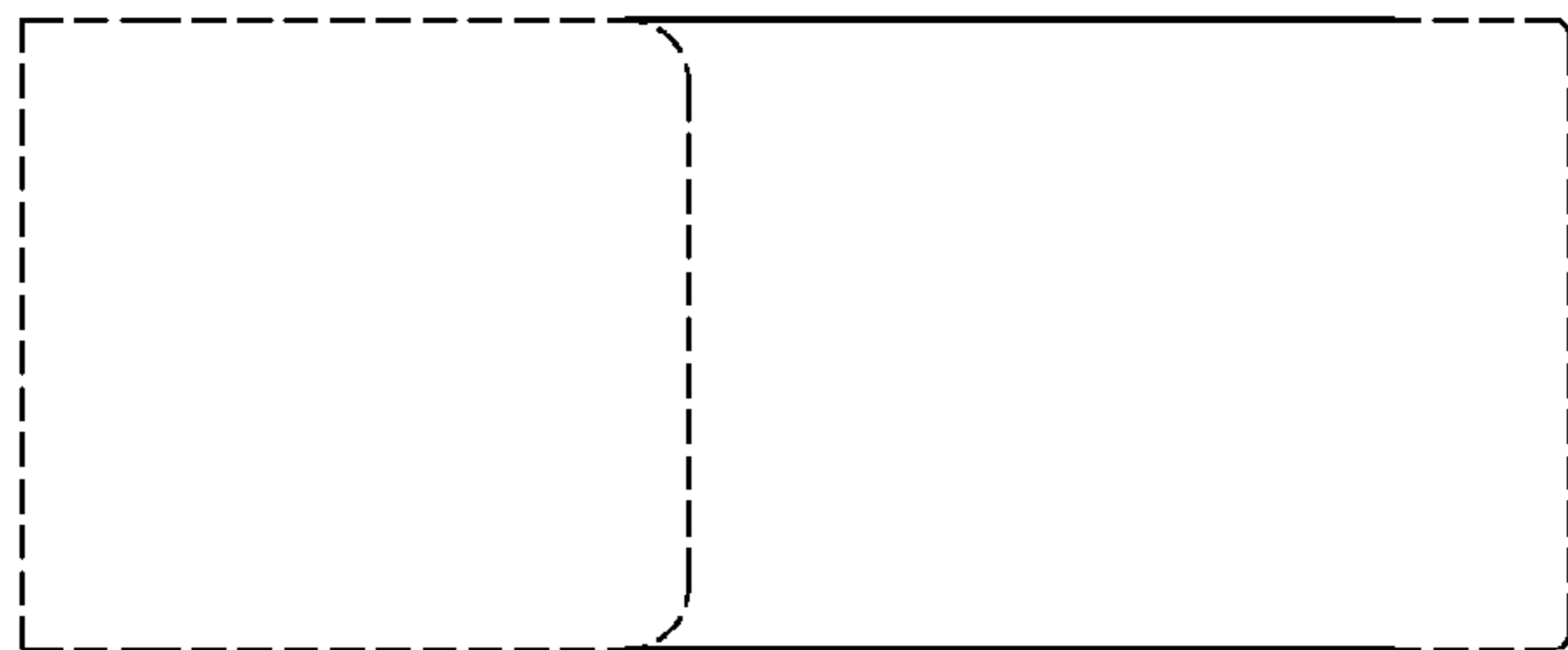
*Fig. 2.*



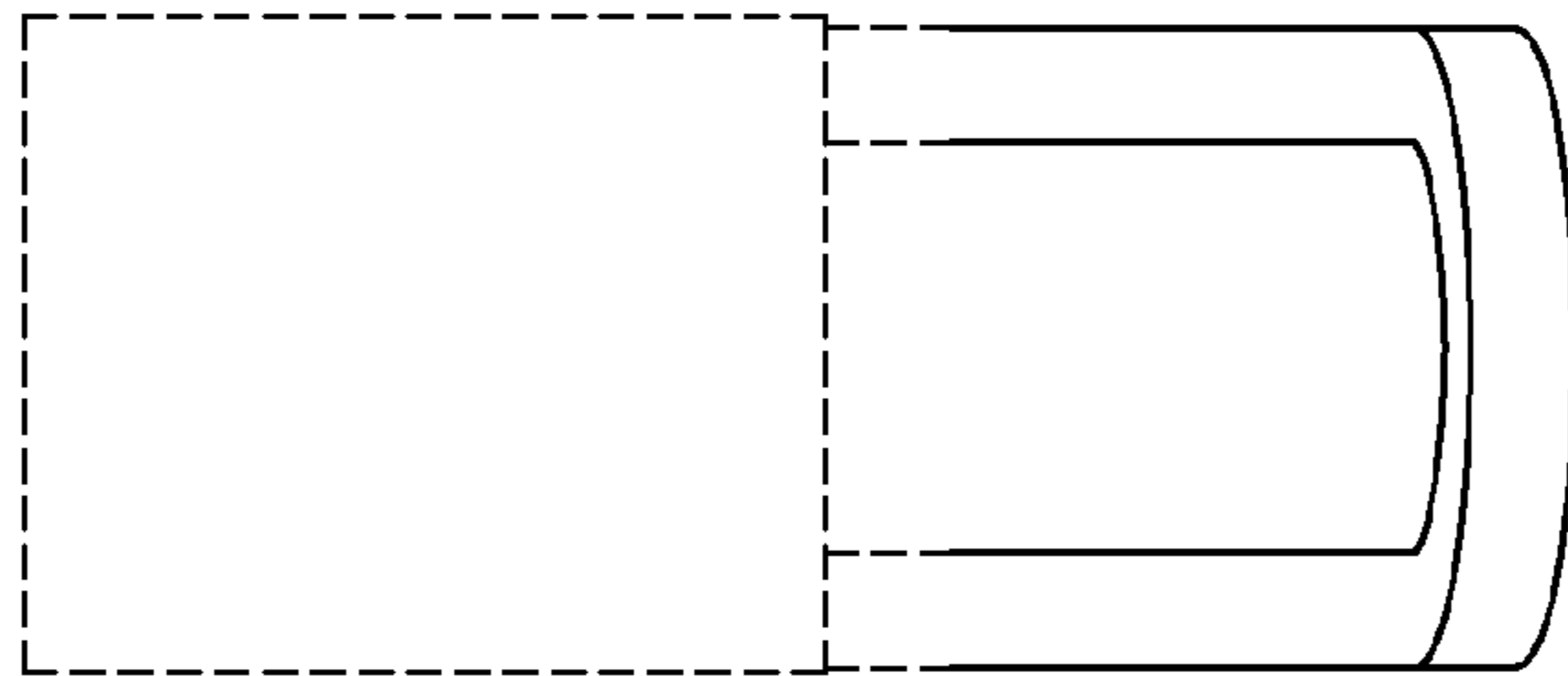
*Fig. 3.*



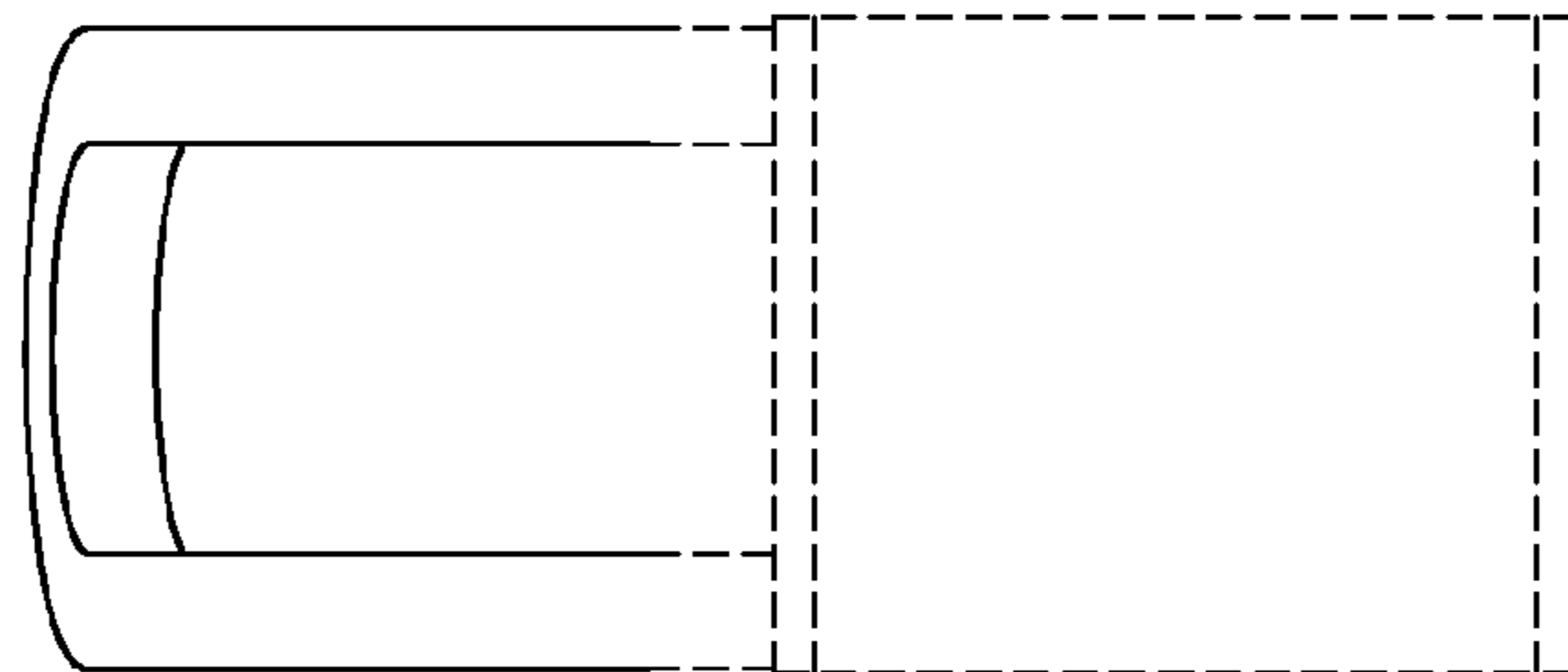
*Fig. 4.*



*Fig. 5.*



*Fig. 6.*



*Fig. 7.*