



US00D635844S

(12) **United States Design Patent**  
**Boothby**

(10) **Patent No.:** **US D635,844 S**  
(45) **Date of Patent:** **\*\* Apr. 12, 2011**

(54) **ESCAPE ANCHOR HOOK**  
(75) Inventor: **Stephen Boothby**, Montecito, CA (US)  
(73) Assignee: **CMC Rescue, Inc.**, Goleta, CA (US)  
(\*\*) Term: **14 Years**  
(21) Appl. No.: **29/366,609**  
(22) Filed: **Jul. 27, 2010**  
(51) **LOC (9) Cl.** ..... **08-05**  
(52) **U.S. Cl.** ..... **D8/367**  
(58) **Field of Classification Search** ..... D8/356,  
D8/354, 349, 370, 367, 359, 358, 372, 373;  
174/135; 248/89, 215, 339, 489, 75; 385/135,  
385/134, 60, 62; 52/220.1, 74.1; D13/156;  
D19/34; 16/87.2, 87.8; D6/313, 500  
See application file for complete search history.

D360,305 S \* 7/1995 Moore ..... D6/328  
D409,899 S \* 5/1999 Schrader ..... D8/367  
D423,914 S \* 5/2000 Klein et al. .... D8/367  
D427,506 S \* 7/2000 Smith ..... D8/367  
D458,831 S \* 6/2002 Selby ..... D8/367  
D492,891 S \* 7/2004 Nilsson ..... D8/371  
D525,661 S \* 7/2006 Hussaini et al. .... D20/43  
D607,298 S \* 1/2010 Lucas ..... D8/98

\* cited by examiner

*Primary Examiner* — Cynthia Underwood  
(74) *Attorney, Agent, or Firm* — Christie, Parker & Hale, LLP

(57) **CLAIM**  
The ornamental design for escape anchor hook, as shown and described.

**DESCRIPTION**

FIG. 1 is a perspective view of the present design according to the present invention;  
FIG. 2 is a front elevational view thereof;  
FIG. 3 is a right side elevational view thereof;  
FIG. 4 is a left side elevational view thereof;  
FIG. 5 is a top plan view thereof; and,  
FIG. 6 is a bottom plan view thereof.

**1 Claim, 4 Drawing Sheets**

(56) **References Cited**

**U.S. PATENT DOCUMENTS**

3,630,475 A \* 12/1971 Barry ..... 248/215  
D247,693 S \* 4/1978 Lee ..... D3/18  
D328,240 S \* 7/1992 Polski ..... D8/367  
D334,316 S \* 3/1993 Daniel ..... D6/552  
D354,431 S \* 1/1995 Andrews ..... D8/373

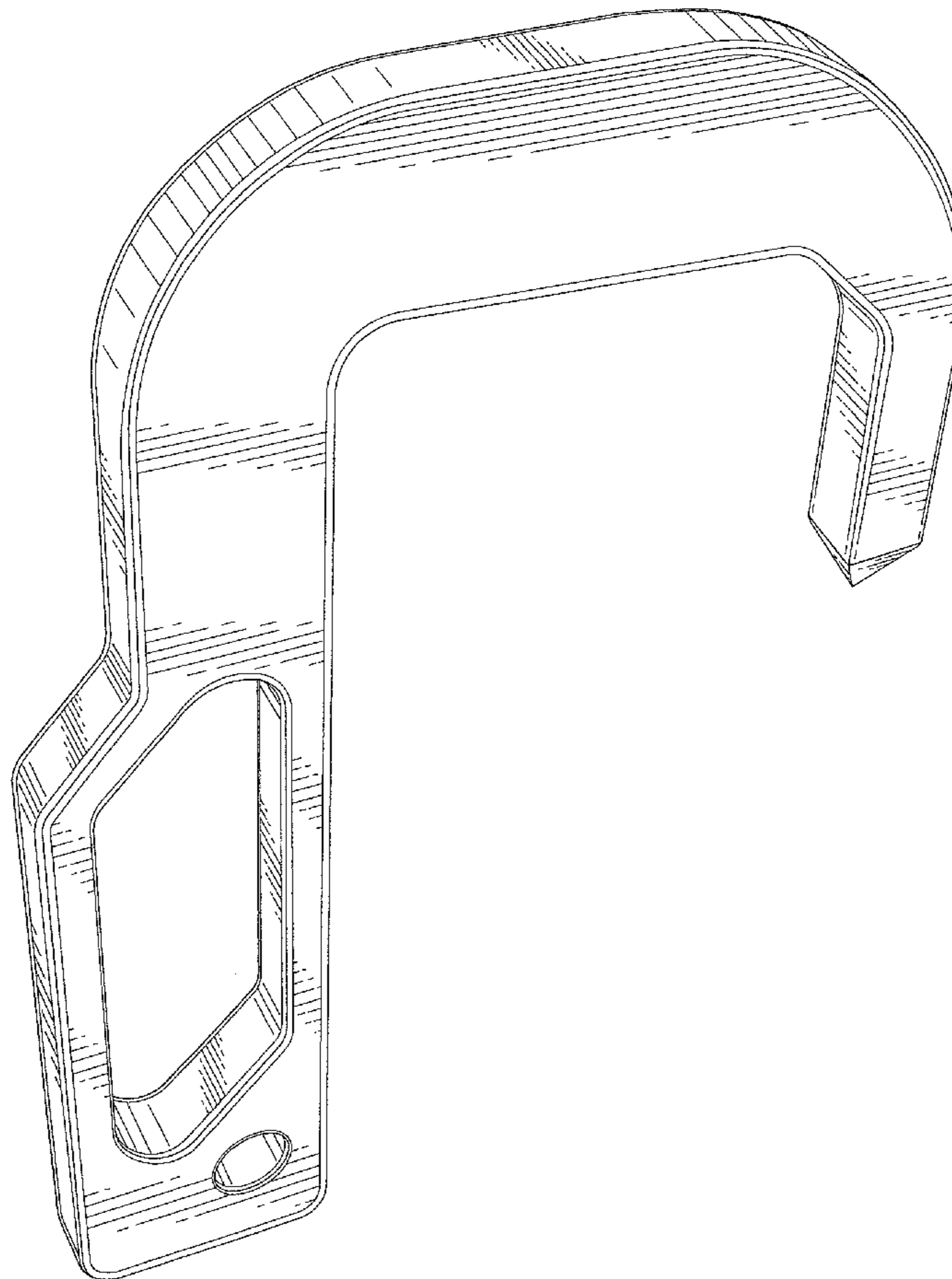


FIG. 1

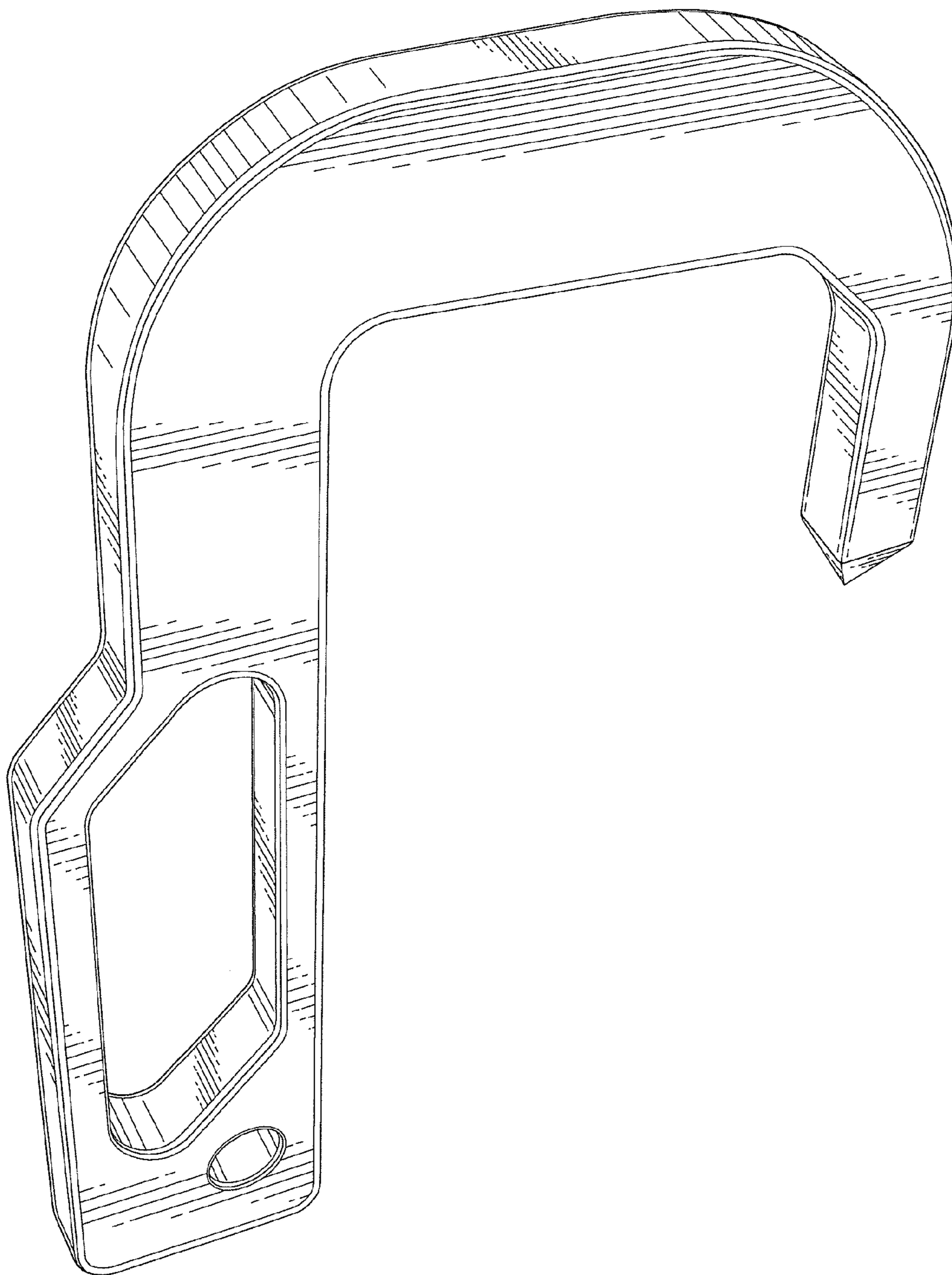


FIG. 2

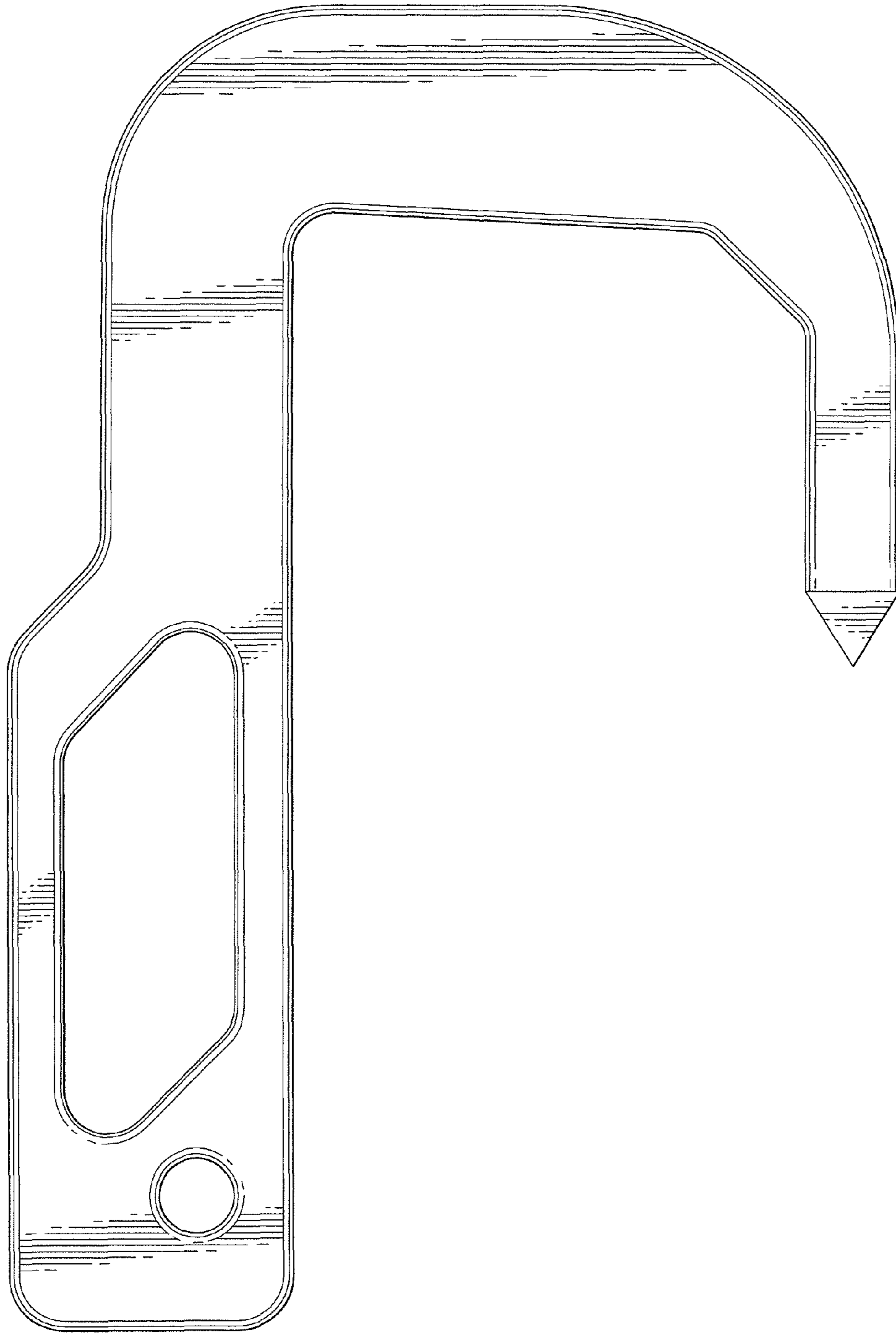


FIG. 3

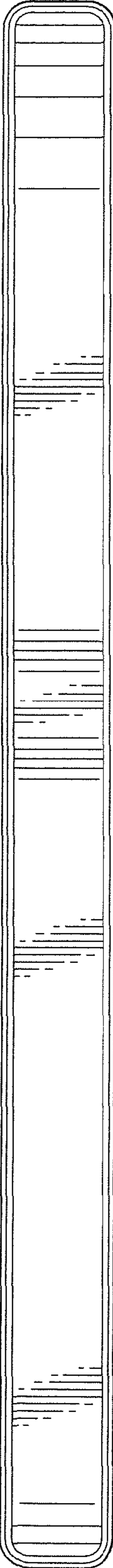


FIG. 4

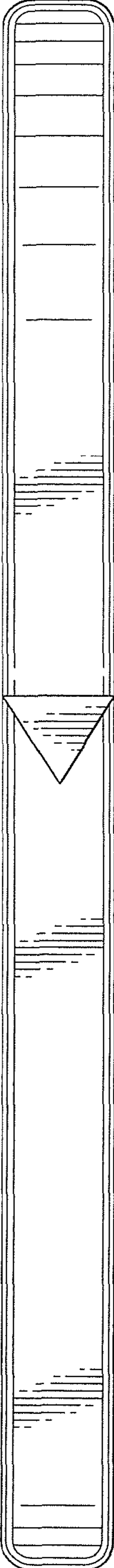




FIG. 6



FIG. 5