



US00D635843S

(12) **United States Design Patent**
McDuff et al.

(10) **Patent No.:** **US D635,843 S**
(45) **Date of Patent:** **** Apr. 12, 2011**

(54) **WALL-MOUNTED HOOK**
(75) Inventors: **Pierre McDuff**, Outremont (CA);
Alexandre Pollak, Laval (CA); **Lang**
Nguyen, Dollard-des-Ormeaux (CA)
(73) Assignee: **Cobra Fixations Cie. Ltee.-Cobra**
Anchors Co., Ltd., Montreal (CA)
(**) Term: **14 Years**
(21) Appl. No.: **29/346,412**

3,861,631 A 1/1975 Shorin
3,891,176 A 6/1975 Downing et al.
3,912,211 A 10/1975 Topf
3,926,394 A 12/1975 Mauceri et al.
3,966,157 A 6/1976 Corral et al.
4,300,745 A 11/1981 Peterson
4,613,108 A 9/1986 Sundstrom et al.
4,821,992 A 4/1989 Johnson
D301,975 S 7/1989 Mullen
4,871,140 A 10/1989 Hoskinson et al.
5,028,030 A 7/1991 Lewis
5,149,037 A 9/1992 Smith
D339,980 S 10/1993 Sheehan
5,267,718 A 12/1993 Sheehan

(Continued)

(22) Filed: **Oct. 30, 2009**

(51) **LOC (9) Cl.** **08-05**

(52) **U.S. Cl.** **D8/367**

(58) **Field of Classification Search** D8/367,
D8/368, 372; 248/301, 304, 215

See application file for complete search history.

FOREIGN PATENT DOCUMENTS

CA 2420718 A1 9/2004

(Continued)

(56) **References Cited**

U.S. PATENT DOCUMENTS

165,206 A 7/1875 Brown
365,725 A 6/1887 Buckland
1,132,414 A 3/1915 White
1,161,268 A 11/1915 Tuck
1,185,587 A 5/1916 Bragg
1,210,610 A 1/1917 Dehn
1,333,692 A 3/1920 Wester
1,409,291 A 3/1922 Giroux
1,637,981 A 8/1927 Baldwin
1,802,934 A 4/1931 Balch
1,999,575 A 4/1935 Reuter et al.
2,193,306 A 3/1940 Tinnerman
2,282,631 A 5/1942 Winship
2,751,807 A 6/1956 Harre
2,883,946 A 4/1959 Kleef
2,916,235 A 12/1959 Wilhelm Nagel
3,143,915 A 8/1964 Tendler
3,268,195 A 8/1966 Hoffman
3,282,547 A 11/1966 Ables
3,298,651 A 1/1967 Passer

Primary Examiner — Holly H Baynham

Assistant Examiner — Sheryl Lane

(74) Attorney, Agent, or Firm — Ungaretti & Harris LLP

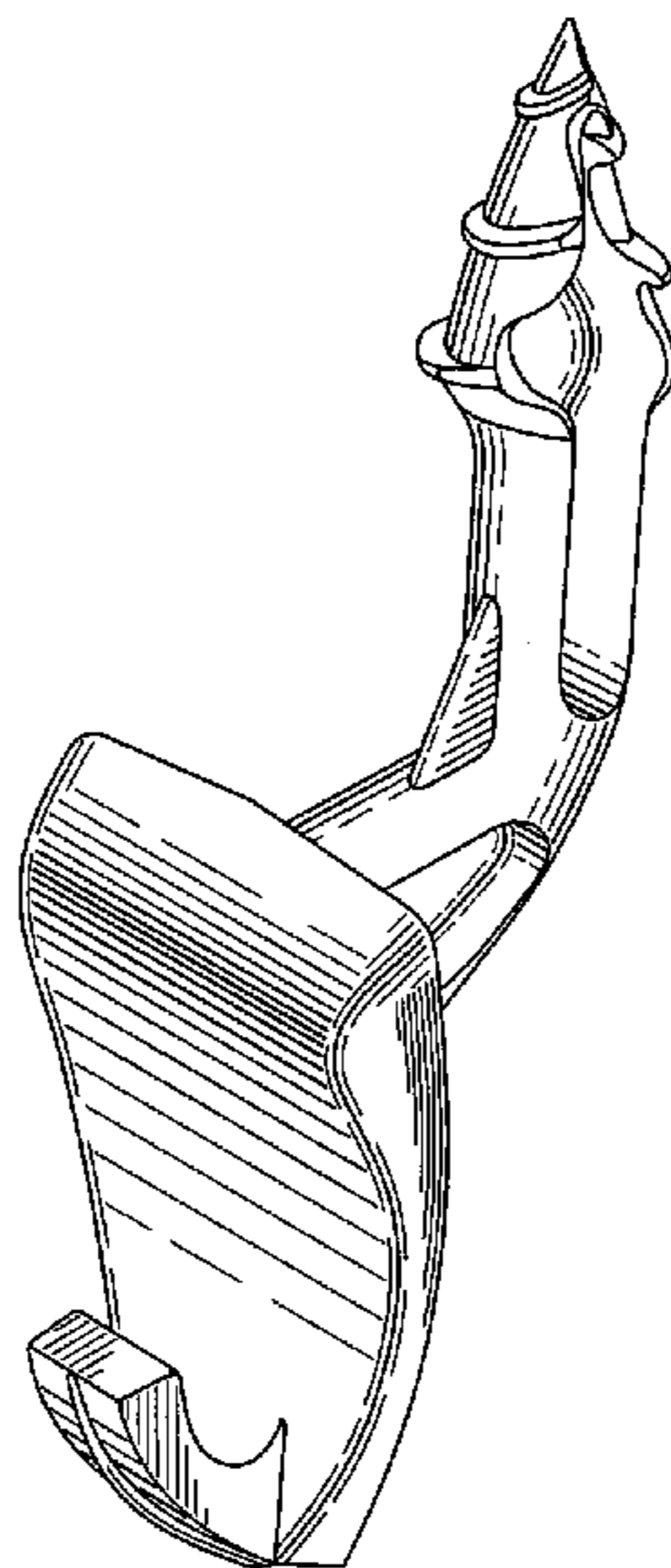
(57) **CLAIM**

We claim the ornamental design for a wall-mounted hook, as shown and described.

DESCRIPTION

FIG. 1 is a perspective view of our ornamental design of a wall-mounted hook;
FIG. 2 is a front view of the wall-mounted hook of FIG. 1;
FIG. 3 is a right side view of the wall-mounted hook of FIG. 1;
FIG. 4 is a left side view of the wall-mounted hook of FIG. 1;
FIG. 5 is a top plan view of the wall-mounted hook of FIG. 1;
FIG. 6 is a rear view of the wall-mounted hook of FIG. 1; and,
FIG. 7 is a bottom plan view of the wall-mounted hook of FIG. 1.

1 Claim, 3 Drawing Sheets



US D635,843 S

Page 2

U.S. PATENT DOCUMENTS

| | | | |
|-----------|----|---------|------------------|
| 5,267,719 | A | 12/1993 | Keller |
| 5,437,429 | A | 8/1995 | Atlas |
| 5,584,462 | A | 12/1996 | Reese |
| 5,596,792 | A | 1/1997 | Shelton |
| 5,725,302 | A | 3/1998 | Sirkin |
| D404,287 | S | 1/1999 | Hepworth |
| 5,878,988 | A | 3/1999 | Rakower |
| D417,385 | S | 12/1999 | Bries et al. |
| 6,126,126 | A | 10/2000 | McKiernan, Jr. |
| 6,279,862 | B1 | 8/2001 | Gershowitz |
| D480,292 | S | 10/2003 | Johansson et al. |
| D486,057 | S | 2/2004 | Chen |
| D494,452 | S | 8/2004 | Sheldon et al. |
| 6,830,228 | B2 | 12/2004 | Ernst |

| | | | | |
|--------------|----|-----------|-----------------|--------------|
| D515,911 | S | 2/2006 | McDuff | |
| D516,412 | S | 3/2006 | McDuff | |
| D554,481 | S | * 11/2007 | Newbould et al. | D8/367 |
| D554,483 | S | * 11/2007 | Hager et al. | D8/367 |
| D557,595 | S | * 12/2007 | Ernst et al. | D8/373 |
| 7,395,998 | B2 | 7/2008 | Peterson | |
| D596,930 | S | * 7/2009 | Gaudron | D8/367 |
| 2007/0124910 | A1 | 6/2007 | Peterson et al. | |
| 2007/0235622 | A1 | 10/2007 | Baran et al. | |
| 2008/0115343 | A1 | 5/2008 | Peterson | |

FOREIGN PATENT DOCUMENTS

| | | | |
|----|----------|----|--------|
| CH | 491296 | A | 5/1970 |
| WO | 96/02170 | A1 | 2/1996 |

* cited by examiner

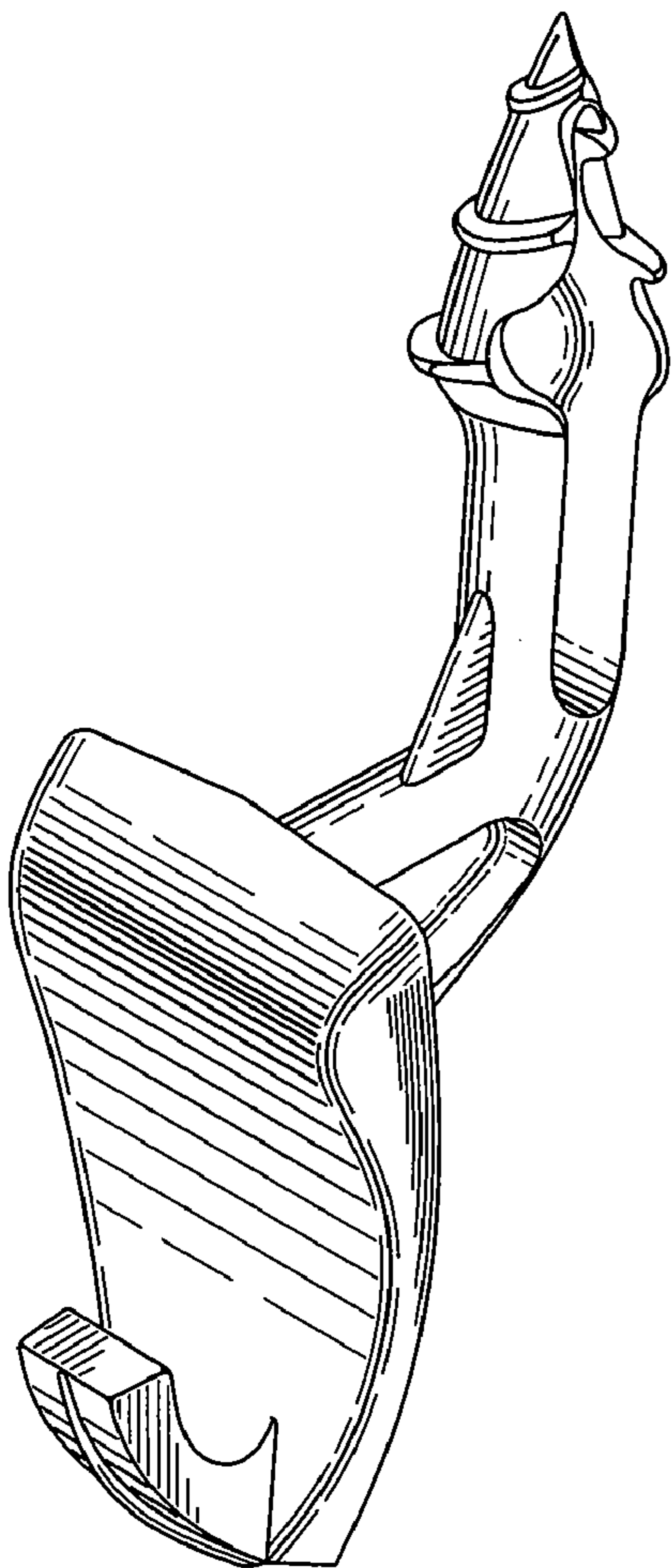


FIG. 1

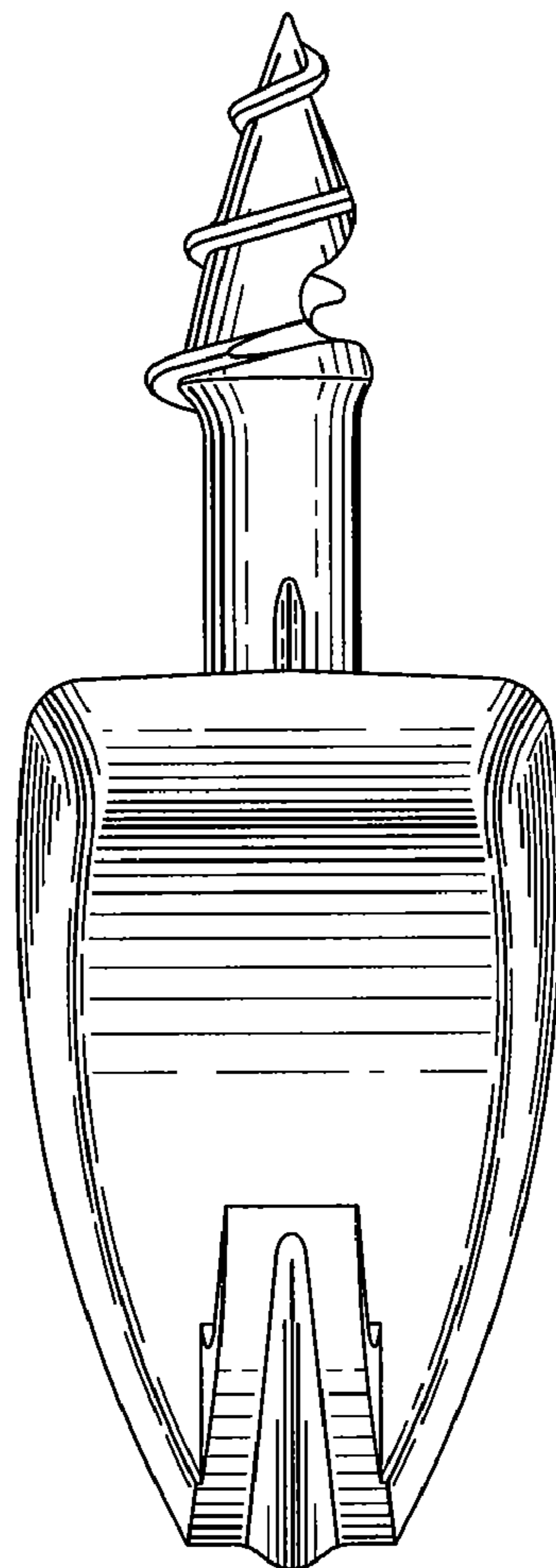


FIG. 2

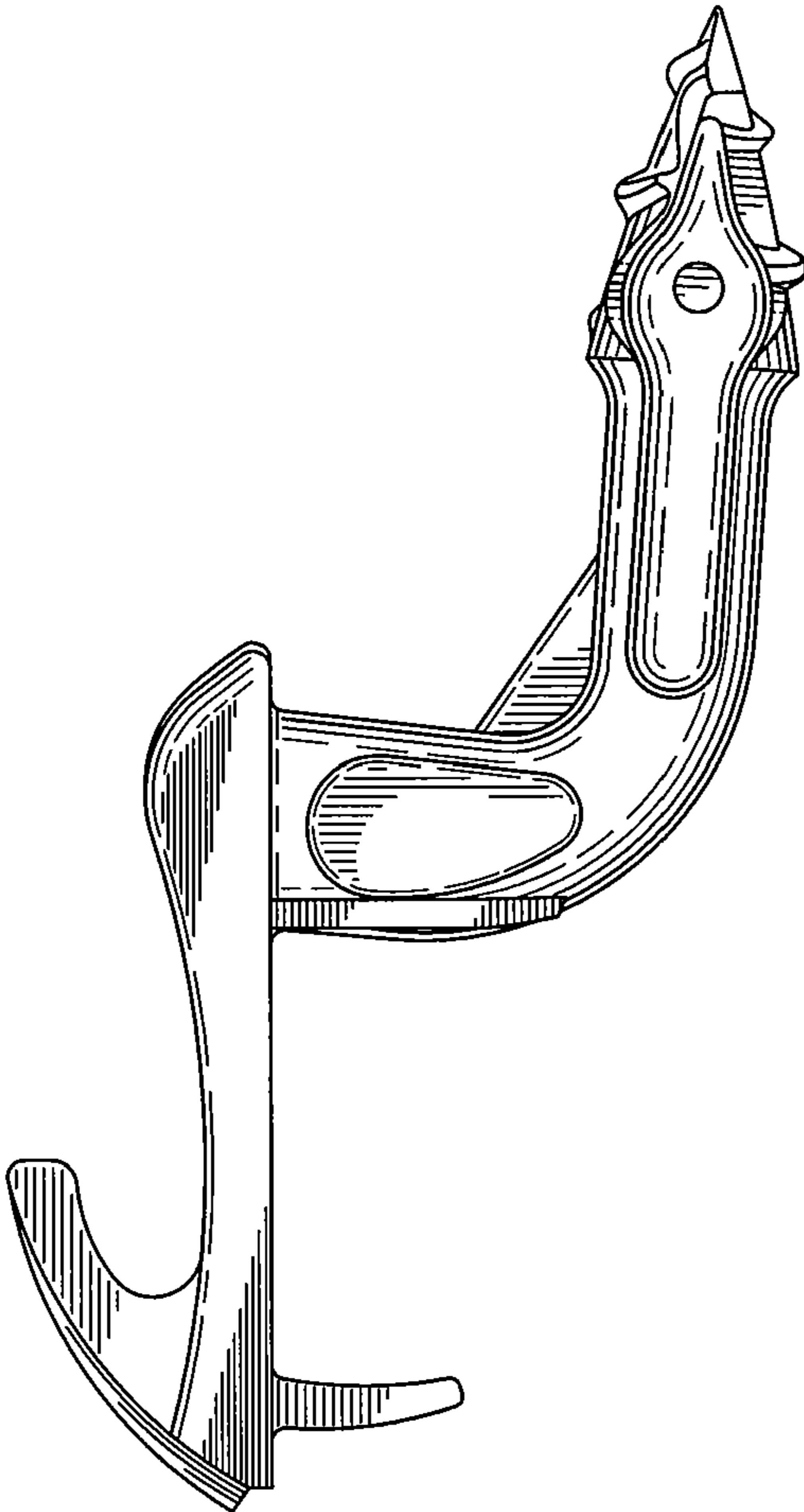


FIG. 3

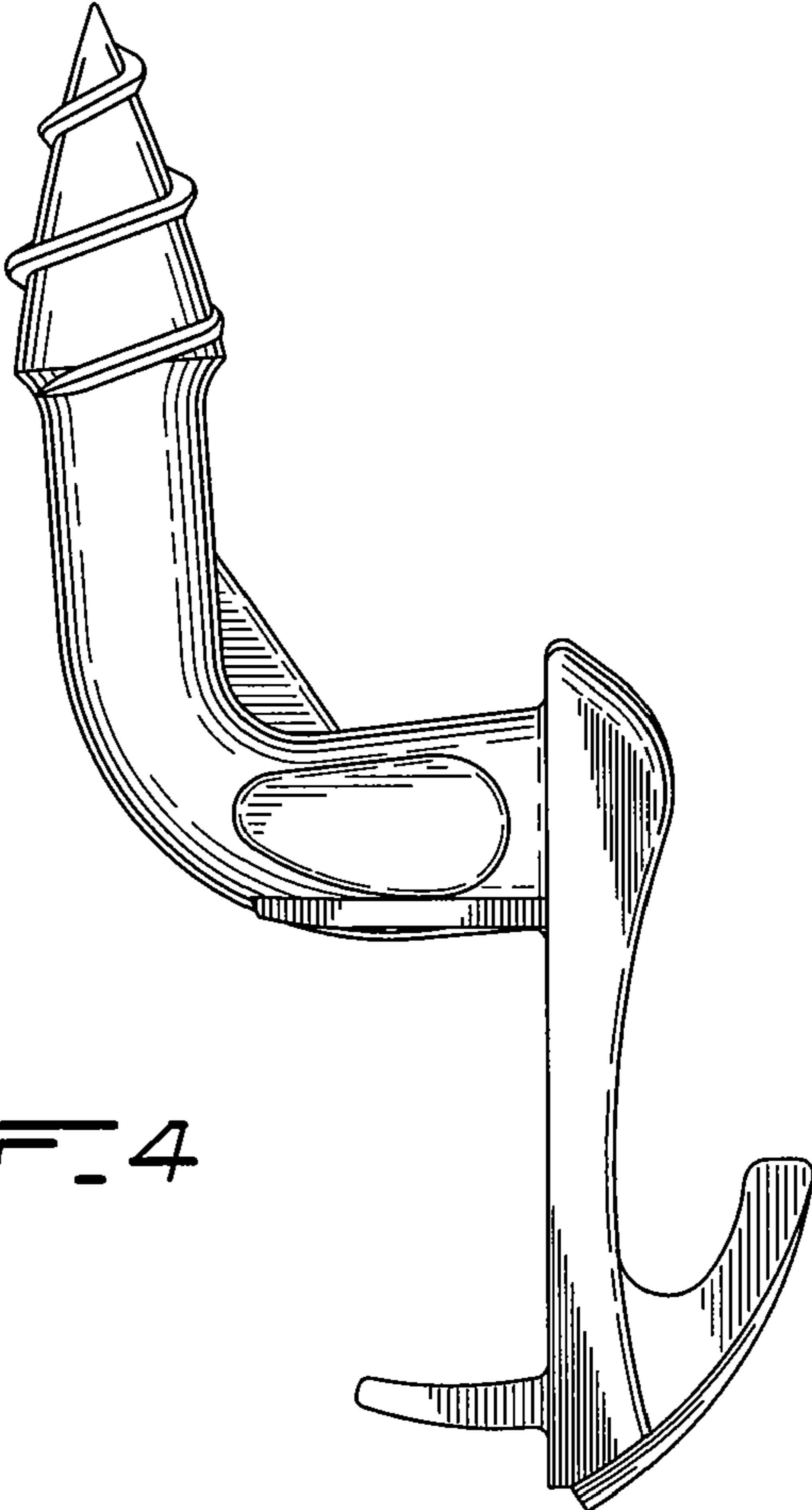


FIG. 4

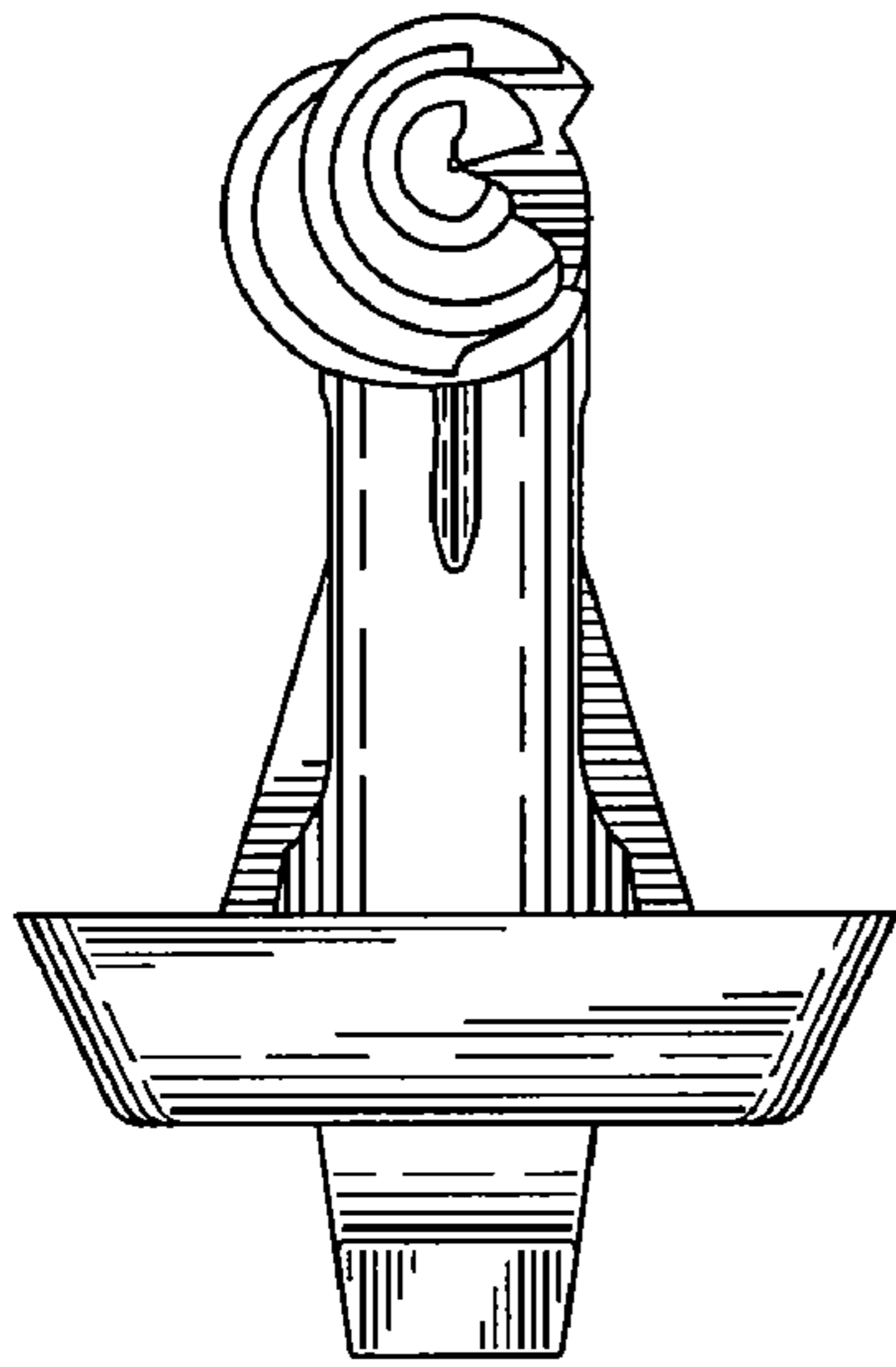


FIG. 5

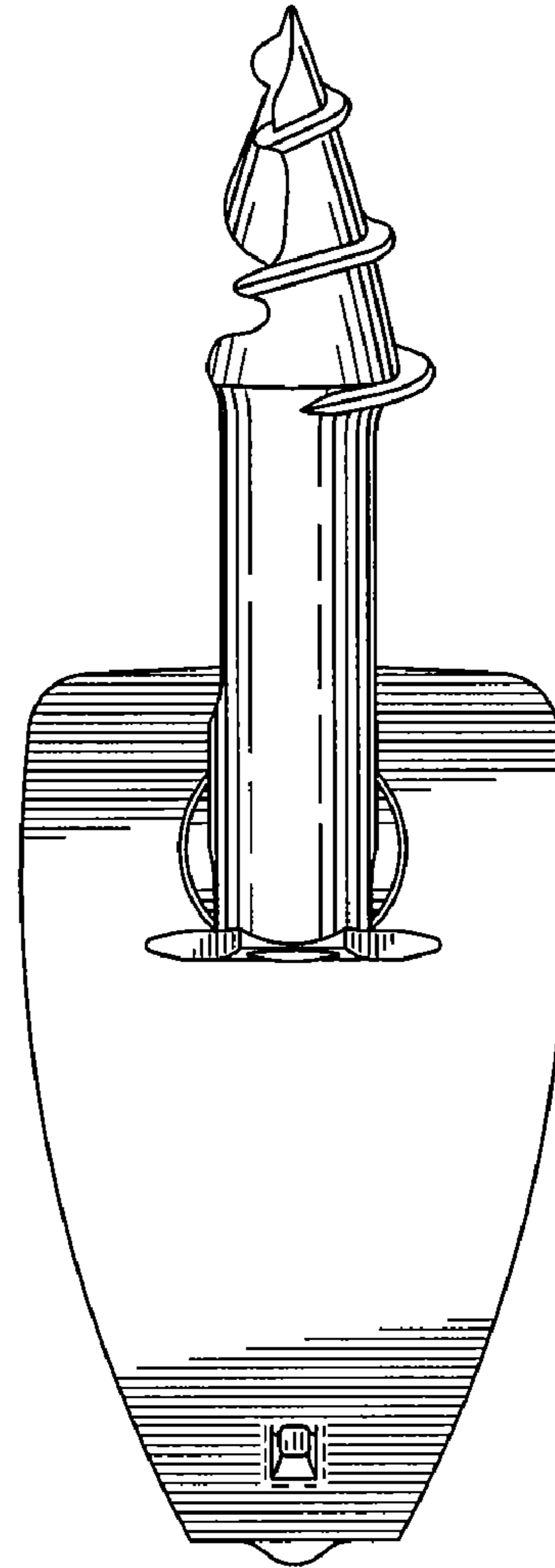


FIG. 6

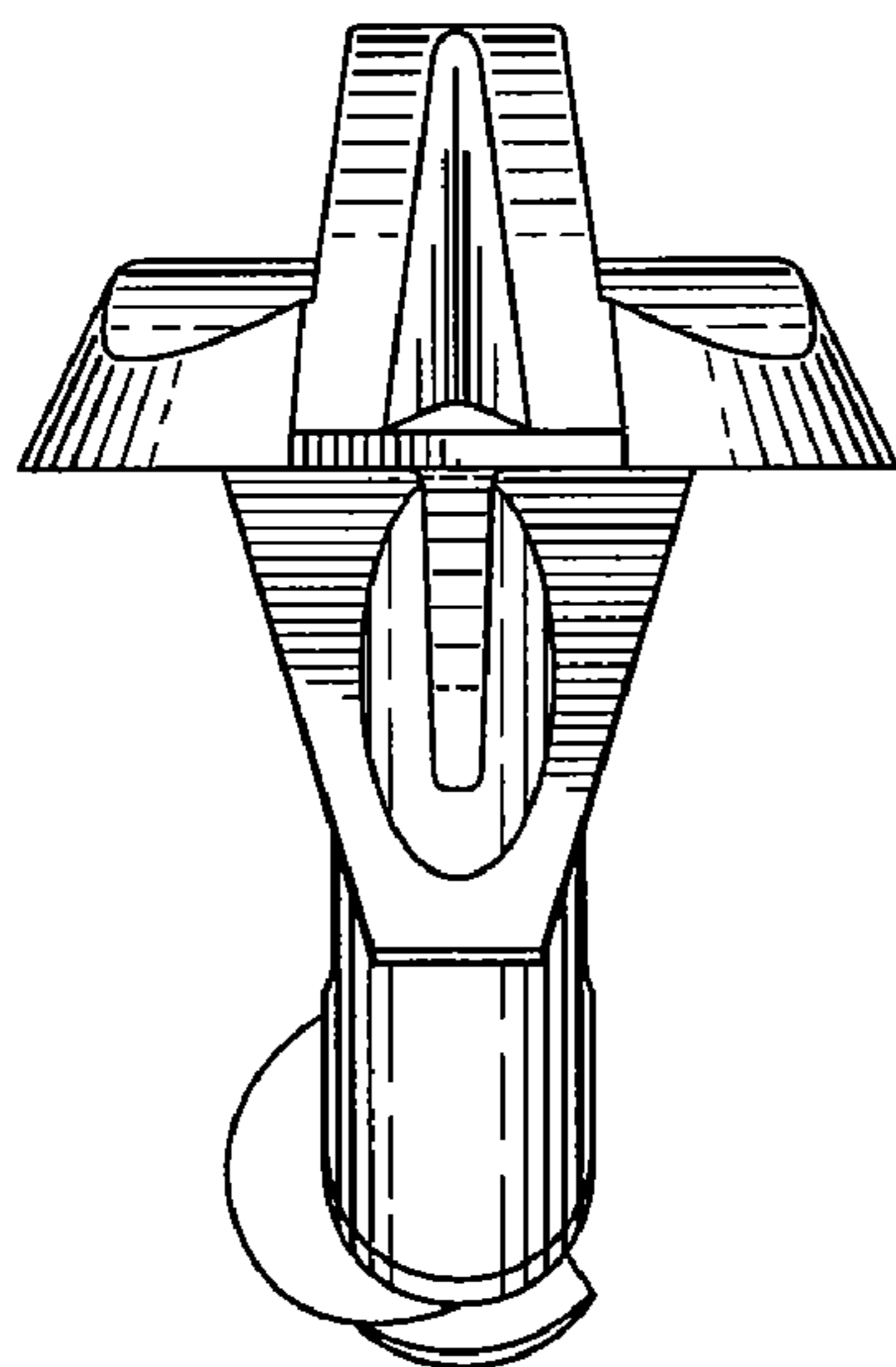


FIG. 7