



US00D635839S

(12) **United States Design Patent**  
**Bradley**

(10) **Patent No.:** **US D635,839 S**

(45) **Date of Patent:** **\*\* Apr. 12, 2011**

(54) **HINGE PORTION OF AN ACCESS DOOR**

(75) **Inventor:** **Earl Terence Bradley**, Eastland, TX (US)

(73) **Assignee:** **EBAA Iron, Inc.**, Eastland, TX (US)

(\*\*) **Term:** **14 Years**

(21) **Appl. No.:** **29/368,605**

(22) **Filed:** **Aug. 26, 2010**

(51) **LOC (9) Cl.** ..... **08-06**

(52) **U.S. Cl.** ..... **D8/325**

(58) **Field of Classification Search** ..... D8/328,  
D8/323, 324, 330, 325, 327, 331, 336, 353,  
D8/338, 329; D16/334; 4/236, 240; 16/309,  
16/235, 275, 244, 379, 390, 430, 241, 238,  
16/245, 236, 243, 242, 385, 225, 250; 49/381,  
49/399; D23/302, 303; 248/682; D10/69;  
33/347, 365–390; D3/905

See application file for complete search history.

(56) **References Cited**

**U.S. PATENT DOCUMENTS**

3,447,169	A *	6/1969	Watson	.....	4/240
D233,880	S *	12/1974	Swenson et al.	.....	D8/325
D258,415	S *	3/1981	DeStepheno	.....	D8/323
D275,172	S *	8/1984	Kwan et al.	.....	D8/323
D419,417	S *	1/2000	Kane	.....	D8/98
6,209,172	B1	4/2001	Bradley		
D443,198	S *	6/2001	Snyder	.....	D8/354
D500,441	S *	1/2005	Senn	.....	D8/323
D510,253	S *	10/2005	Twomey	.....	D8/326
D524,141	S *	7/2006	Kwan	.....	D8/325
D525,856	S *	8/2006	Kwan	.....	D8/325
D573,821	S *	7/2008	Rubin et al.	.....	D6/523
D575,312	S *	8/2008	McDaniel et al.	.....	D15/140
D578,872	S *	10/2008	Healy	.....	D8/402
D615,384	S *	5/2010	Ross	.....	D8/323
D622,575	S *	8/2010	Li	.....	D8/326
D627,690	S *	11/2010	Madden	.....	D12/126
2003/0145429	A1 *	8/2003	Twomey	.....	16/387

**OTHER PUBLICATIONS**

U.S. Appl. No. 12/868,931, filed Aug. 26, 2010, Bradley, Earl Terence.

Web page: [www.diyanswerguy.com/tools/plumbing/water-meter-bos.jpg](http://www.diyanswerguy.com/tools/plumbing/water-meter-bos.jpg); Feb. 4, 2010 (1 page).

\* cited by examiner

*Primary Examiner* — Cynthia Underwood

(74) *Attorney, Agent, or Firm* — Haynes and Boone, LLP

(57) **CLAIM**

The ornamental design for a hinge portion of an access door, as shown and described.

**DESCRIPTION**

This application is related to U.S. utility patent application Ser. No. 12,868,931, filed of even date herewith, the entire disclosure of which is incorporated herein by reference.

FIG. 1 is a perspective view of the hinge portion of an access door showing my new design according to a first embodiment;

FIG. 2 is another perspective view of the first embodiment; FIG. 3 is still yet another perspective view of the first embodiment;

FIG. 4 is a front elevational view of the first embodiment;

FIG. 5 is a right side elevational view of the first embodiment;

FIG. 6 is a left side elevational view of the first embodiment;

FIG. 7 is a rear elevational view of the first embodiment;

FIG. 8 is a top plan view of the first embodiment;

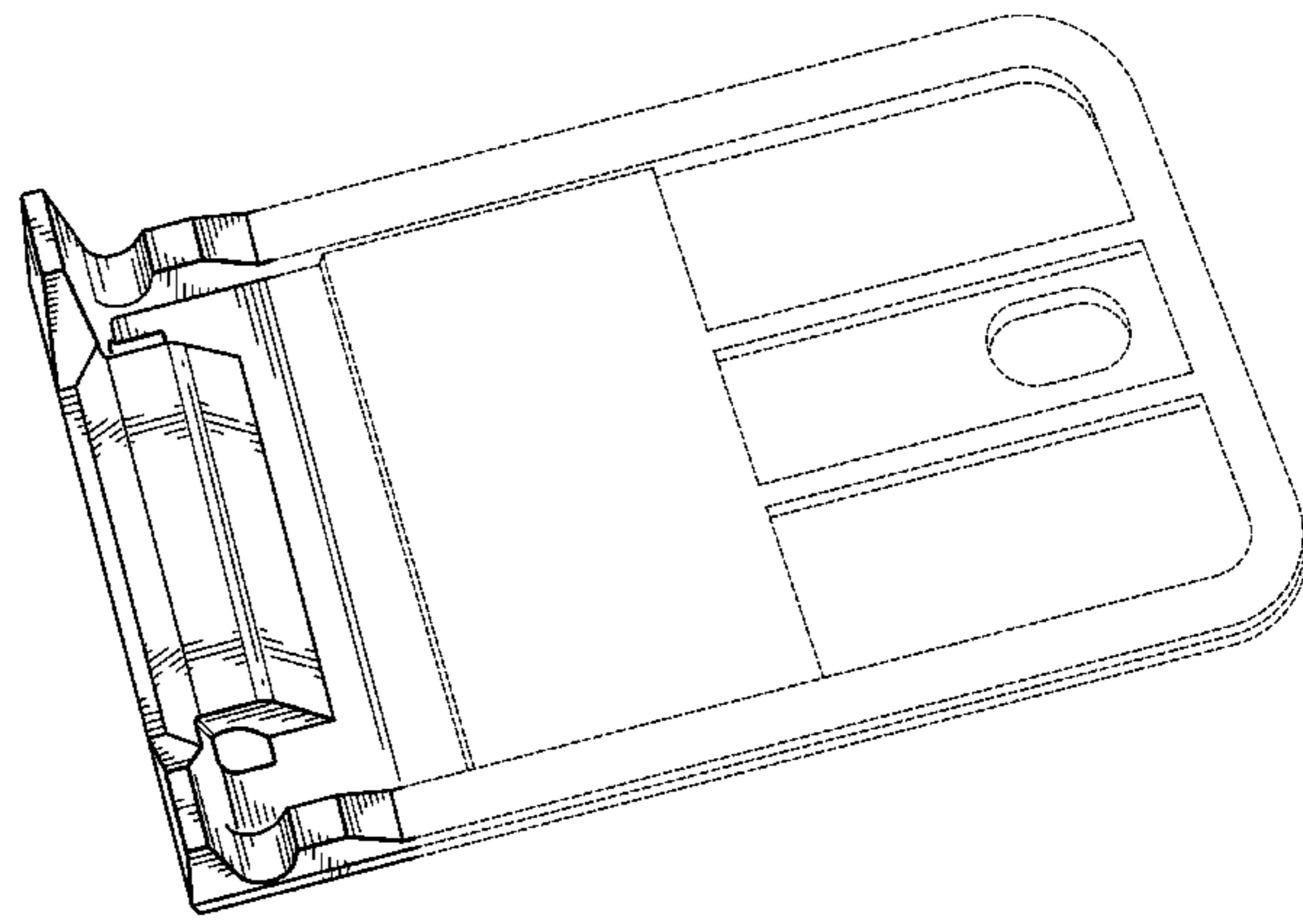
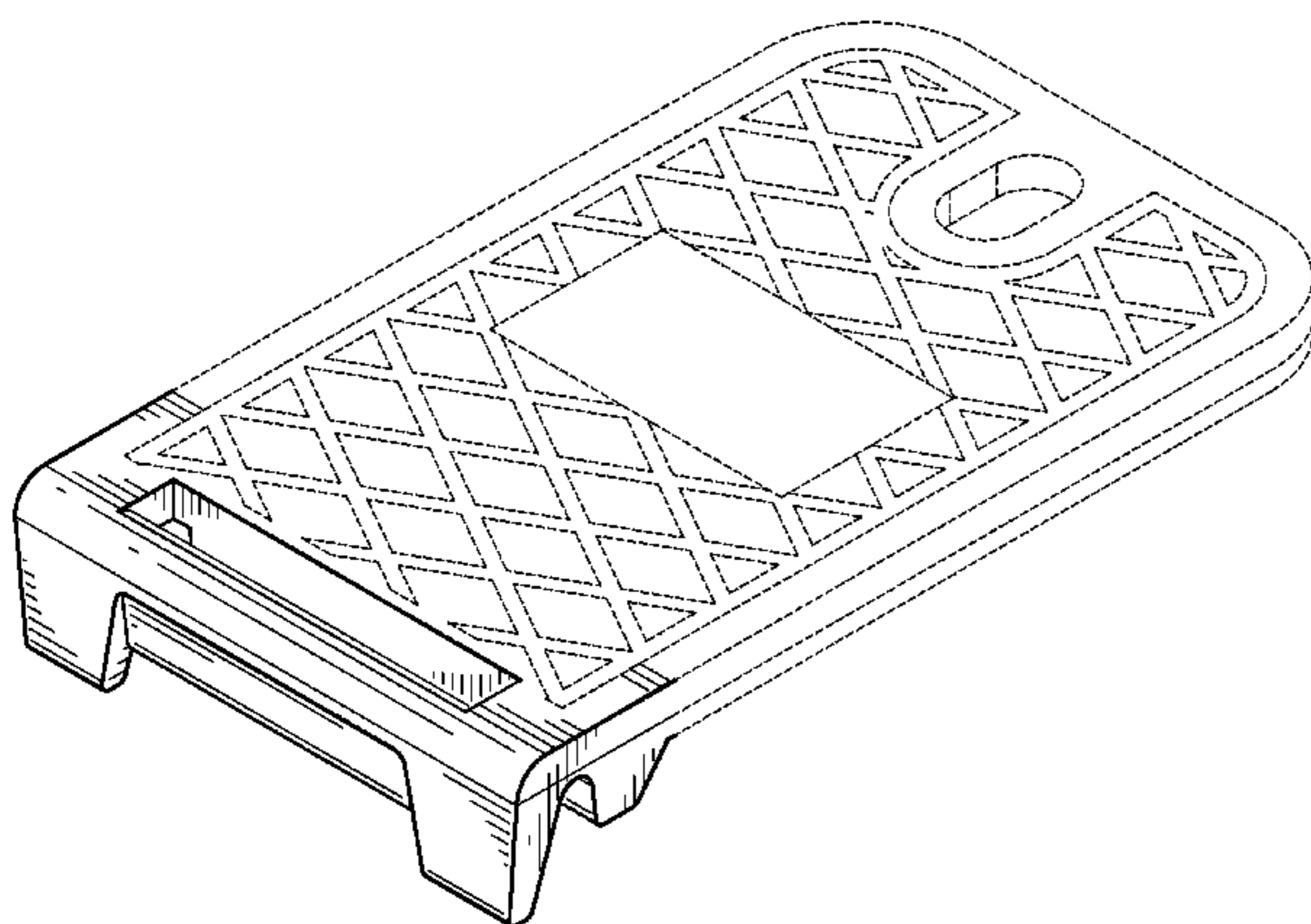
FIG. 9 is a bottom plan view of the first embodiment;

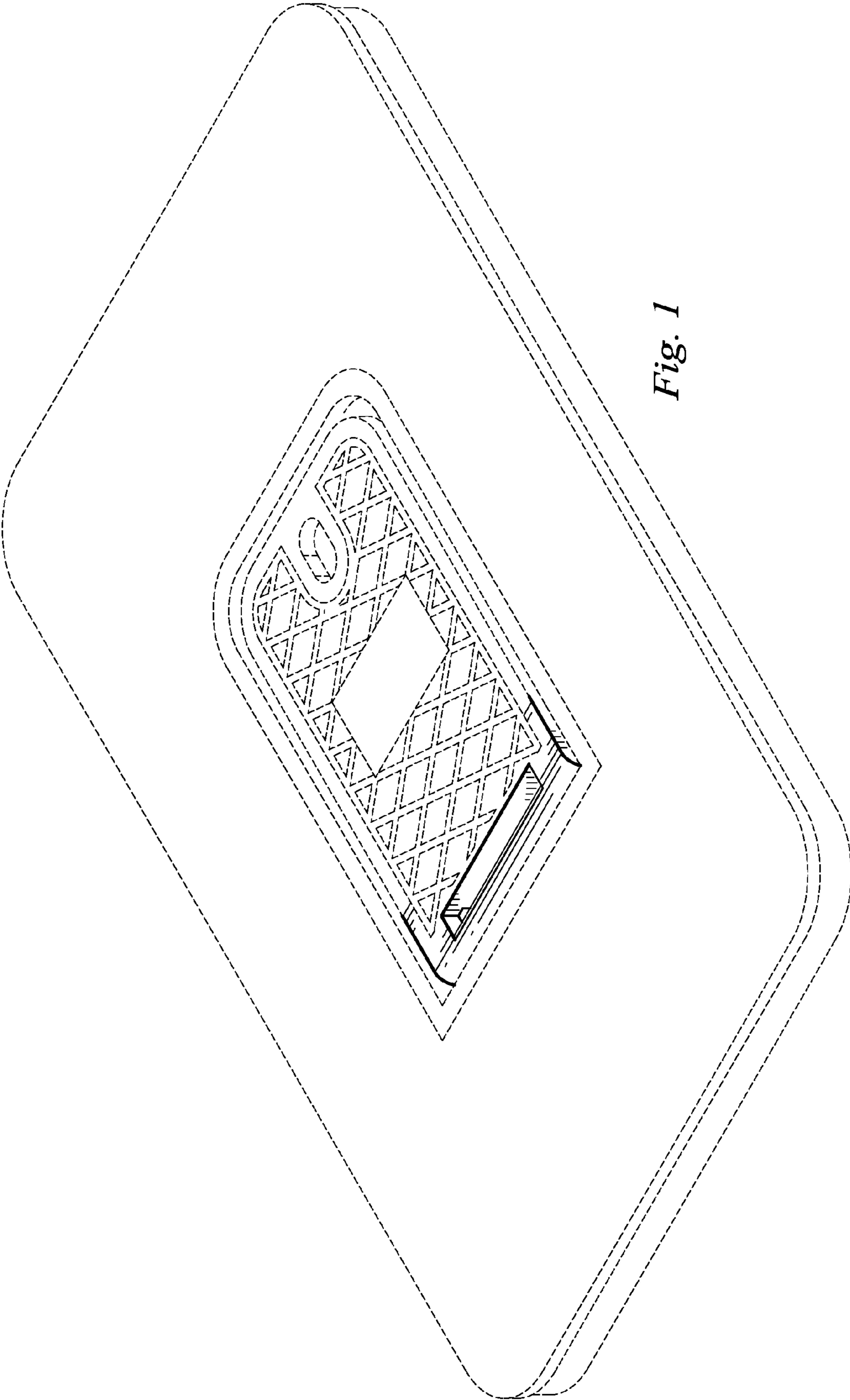
FIG. 10 is a sectional view of the first embodiment taken along line 10—10 of FIG. 8; and,

FIG. 11 is a perspective view of the hinge portion of an access door showing my new design according to a second embodiment, the second embodiment being identical to the first embodiment except that the second embodiment has an indeterminate length as indicated in FIG. 11.

The broken lines in FIGS. 1-6 and 8-11 form no part of the claimed design.

**1 Claim, 7 Drawing Sheets**





*Fig. 1*

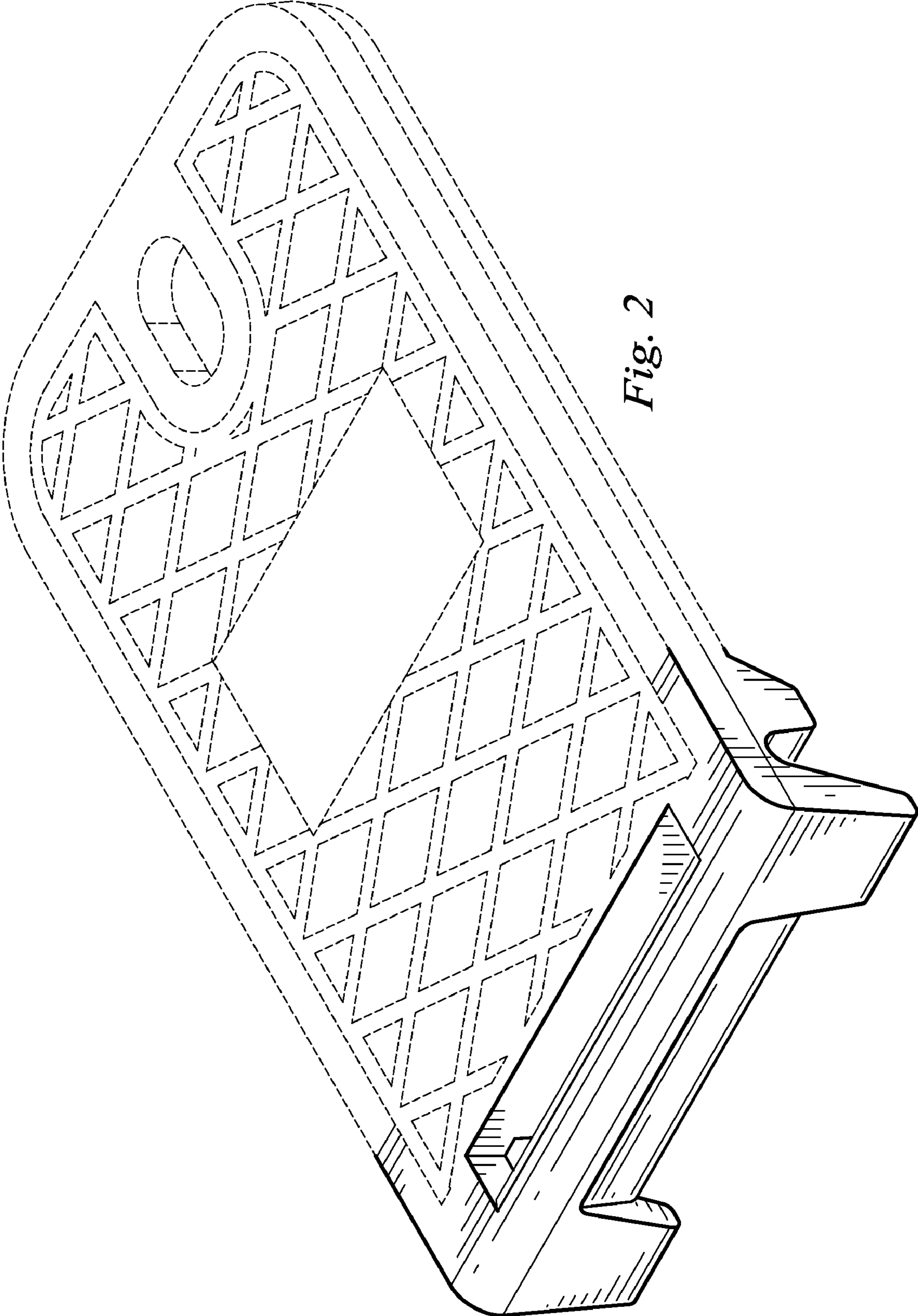
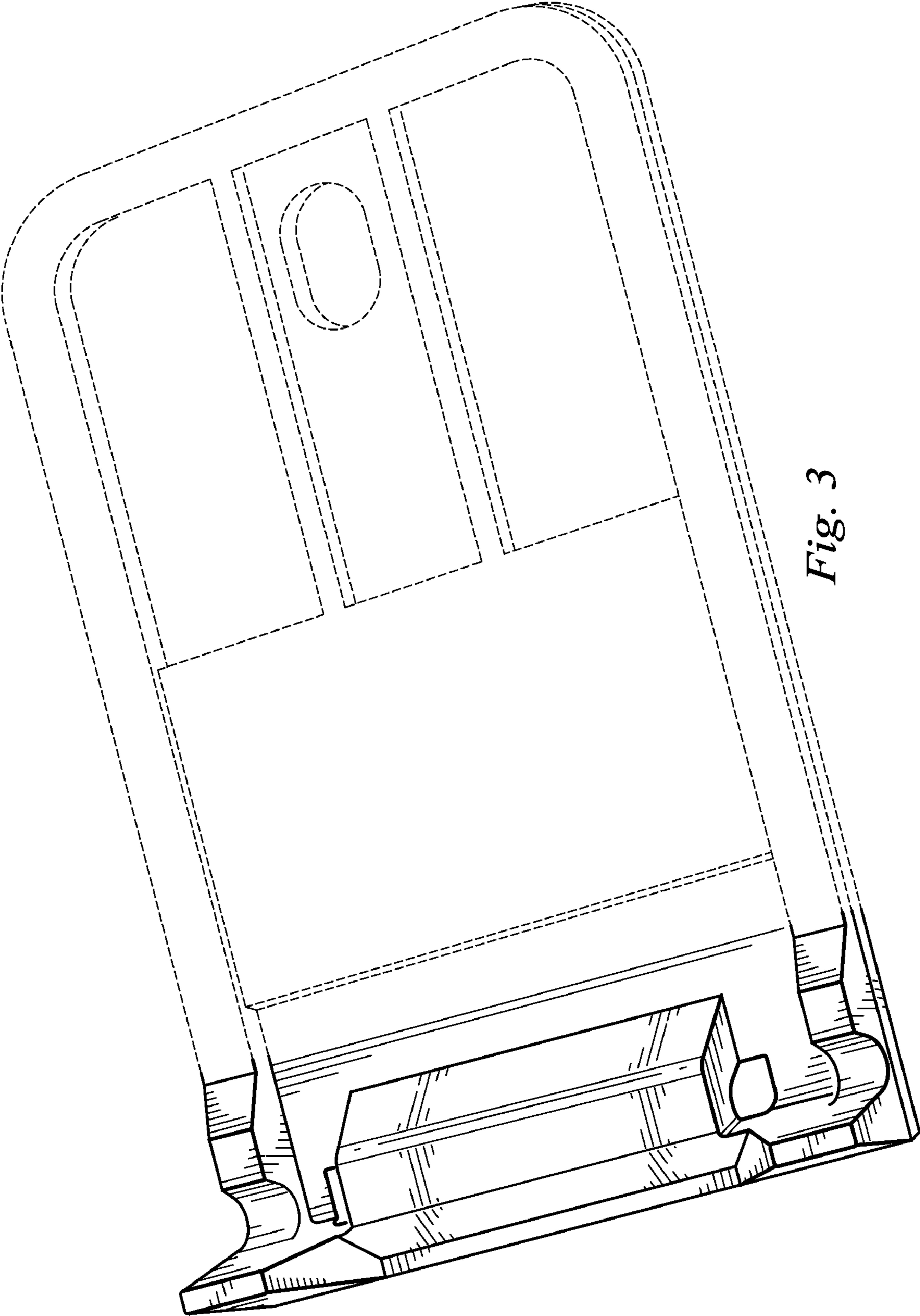
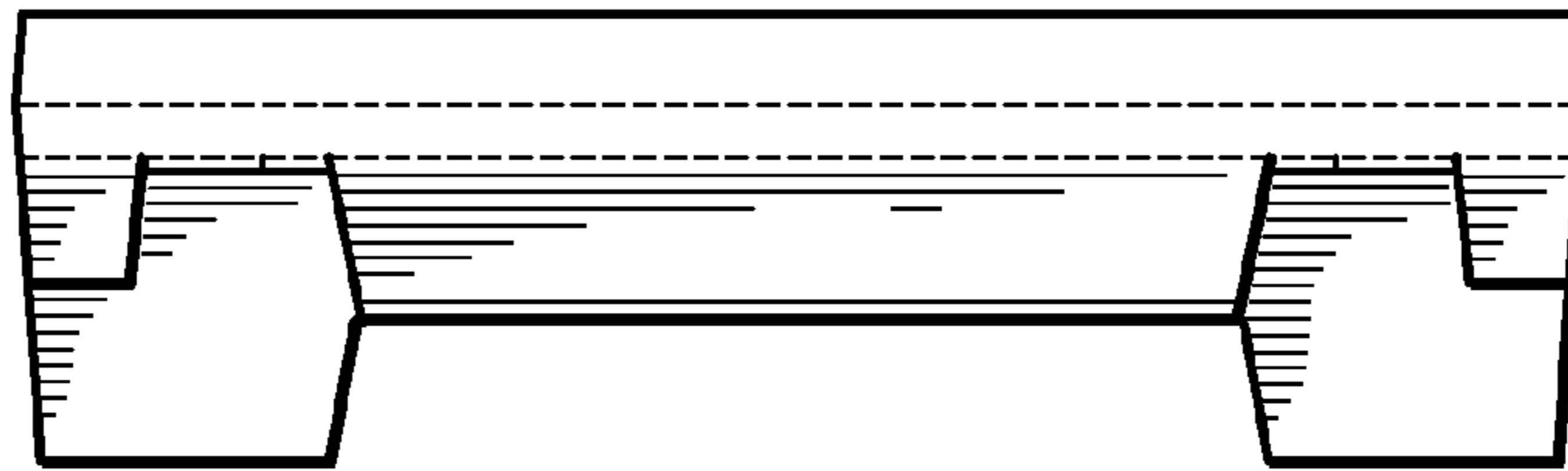


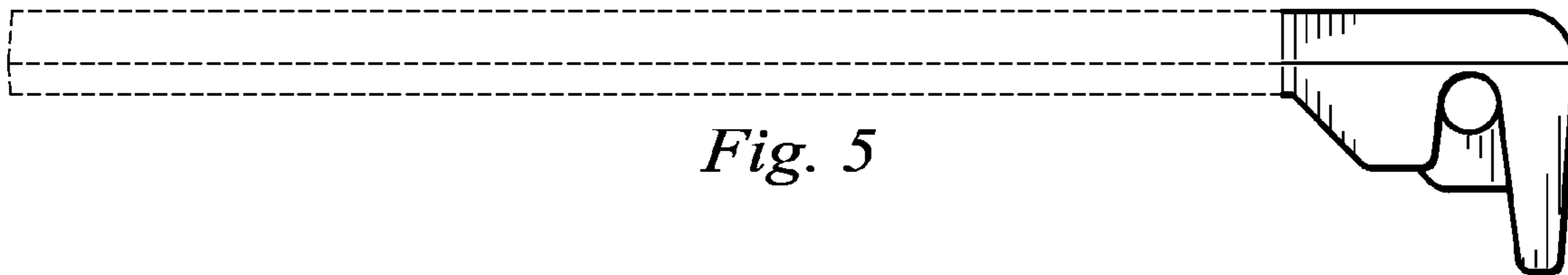
Fig. 2



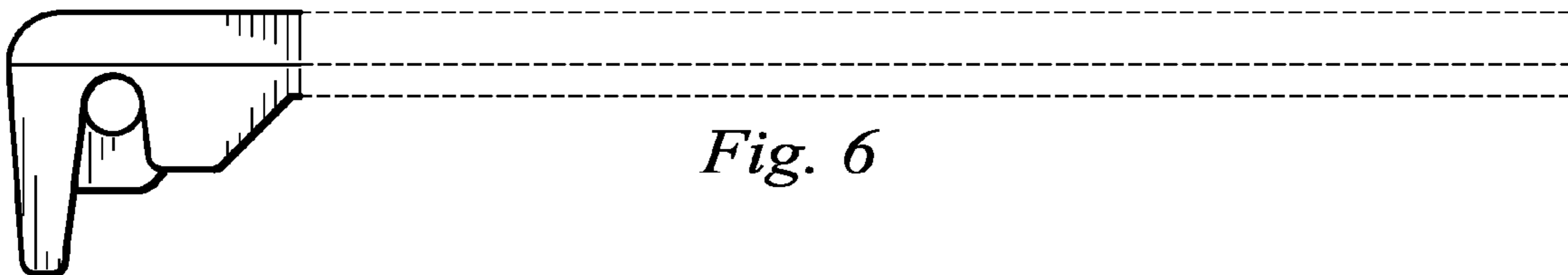
*Fig. 3*



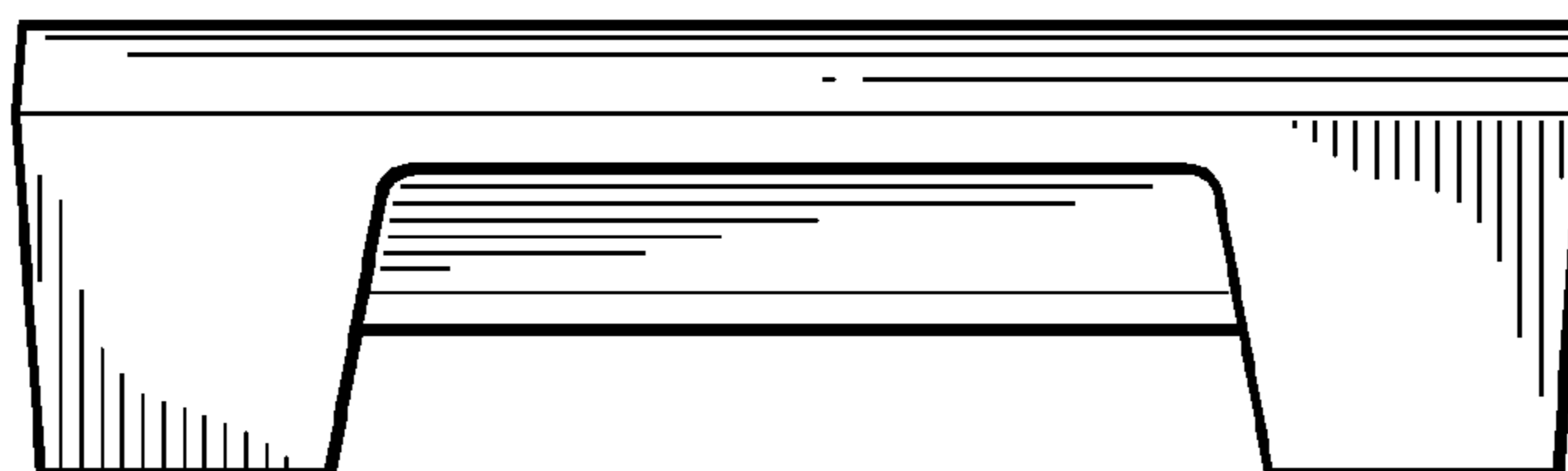
*Fig. 4*



*Fig. 5*



*Fig. 6*



*Fig. 7*

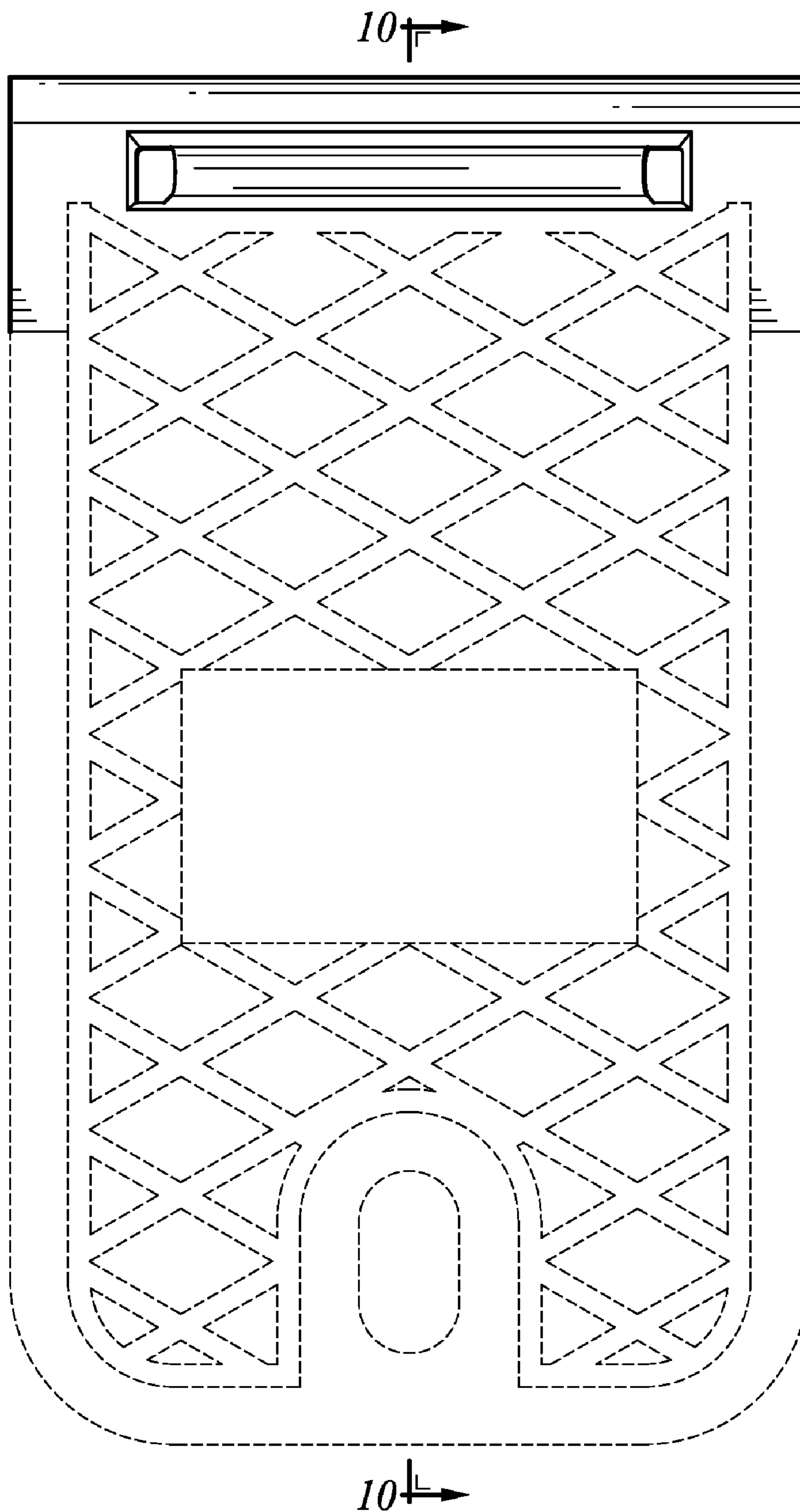
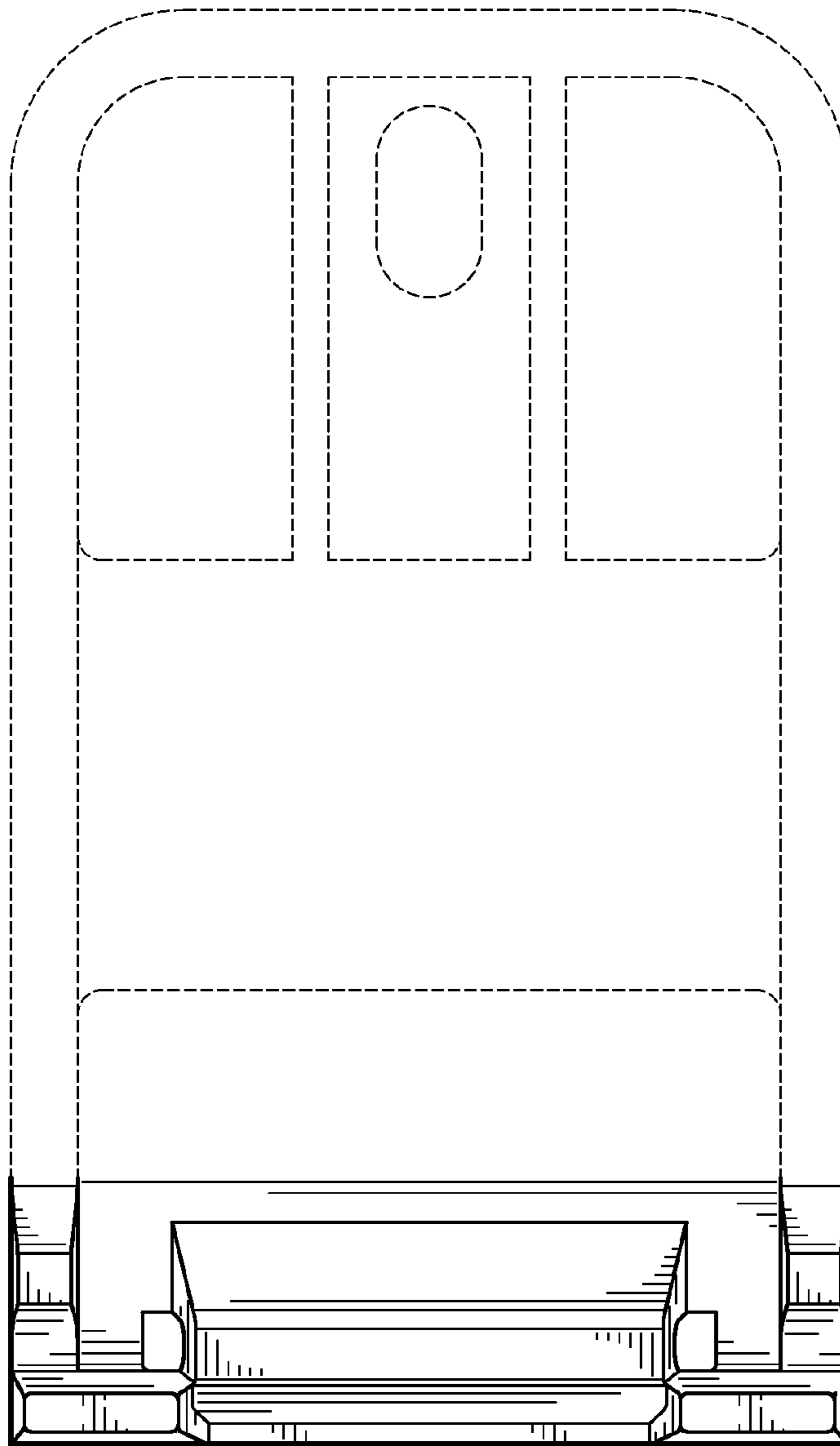
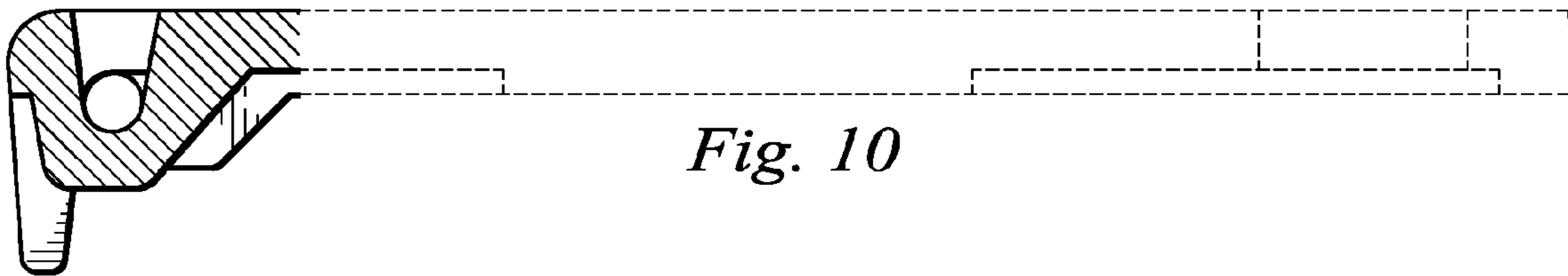


Fig. 8



*Fig. 9*



*Fig. 10*

