



US00D635838S

(12) **United States Design Patent**
Shyu et al.

(10) **Patent No.:** **US D635,838 S**

(45) **Date of Patent:** **** Apr. 12, 2011**

(54) **DOOR HANDLE SPANNER**

(75) Inventors: **Song-Gen Shyu**, Chiayi Hsien (TW);
Ching-Chuan Kuo, Chiayi Hsien (TW)

(73) Assignee: **Tong Lung Metal Industry Co., Ltd.**,
Chia-Yi (TW)

(**) Term: **14 Years**

(21) Appl. No.: **29/331,145**

(22) Filed: **Jan. 21, 2009**

(30) **Foreign Application Priority Data**

Jul. 23, 2008 (TW) 97304307

(51) **LOC (9) Cl.** **08-06**

(52) **U.S. Cl.** **D8/308**

(58) **Field of Classification Search** D8/300-320,
D8/DIG. 10; 292/336.3, 173, 347, 356; 74/519,
74/523; 16/110.1, 412, 414, 422, 436; D23/250,
D23/252; D15/142

See application file for complete search history.

(56) **References Cited**

U.S. PATENT DOCUMENTS

D83,186 S * 2/1931 Graff D5/37
D378,984 S * 4/1997 Carsello D8/308
D380,133 S * 6/1997 Rochette et al. D8/301

D431,443 S * 10/2000 Rodriguez et al. D8/308
6,619,710 B1 * 9/2003 Hwang 292/336.3
D519,020 S * 4/2006 Gorkovenko D8/307
D537,702 S * 3/2007 Roberts, III D8/308
D566,517 S * 4/2008 Lin D8/308
D587,091 S * 2/2009 Chen D8/308
D621,681 S * 8/2010 Roberts, III D8/308
D621,682 S * 8/2010 Roberts, III D8/308

* cited by examiner

Primary Examiner — Raphael Barkai

Assistant Examiner — Randall Gholson

(74) *Attorney, Agent, or Firm* — Cheng-Ju Chiang

(57) **CLAIM**

The ornamental design for door handle spanner, as shown and described.

DESCRIPTION

FIG. 1 is a perspective view of door handle spanner showing my new design;

FIG. 2 is a front elevational view thereof;

FIG. 3 is a rear elevational view thereof;

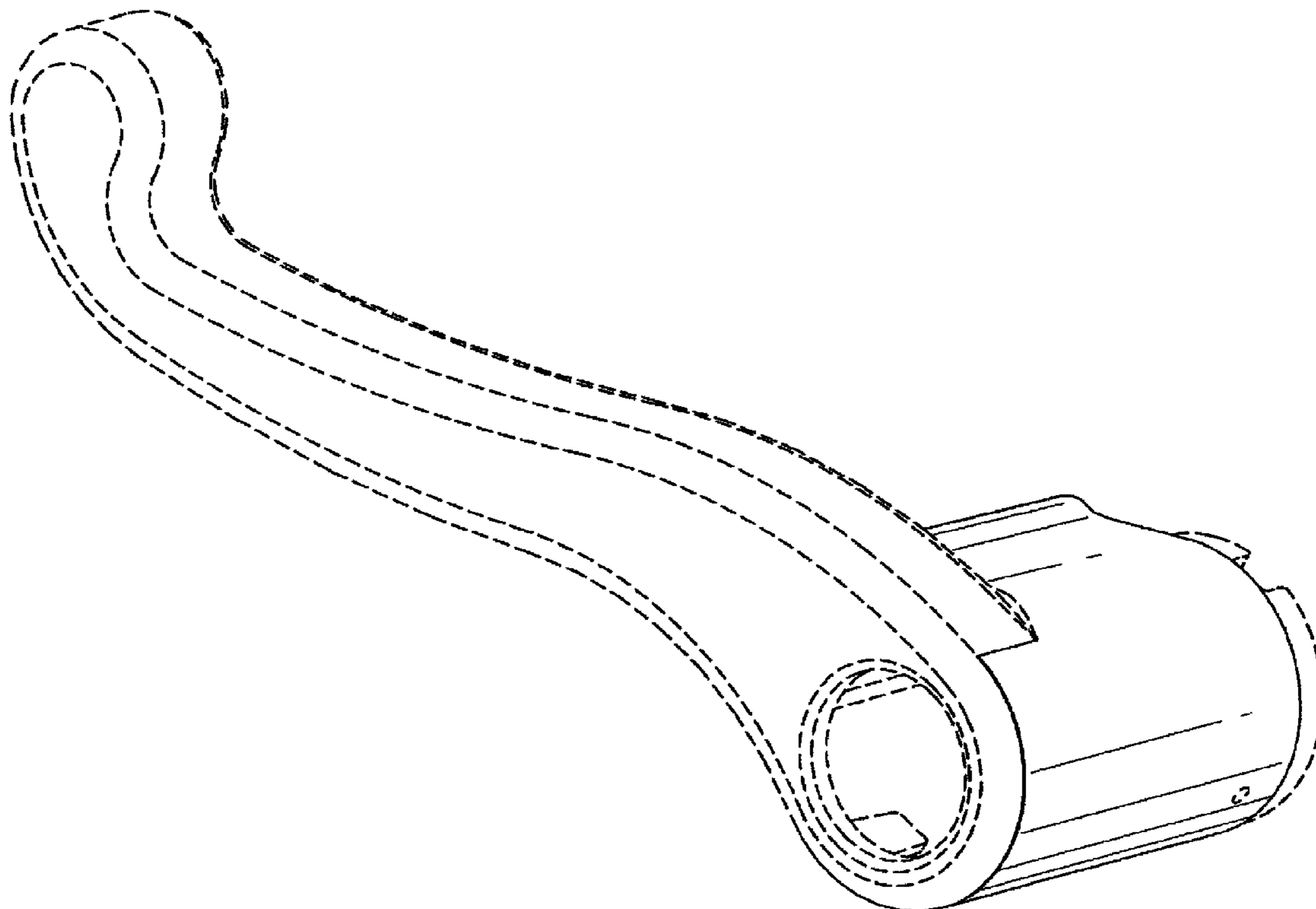
FIG. 4 is a left side elevational view thereof;

FIG. 5 is a right side elevational view thereof;

FIG. 6 is a top plan view thereof; and,

FIG. 7 is a bottom plan view thereof; the portions shown in dashed lines do not form part of the design.

1 Claim, 4 Drawing Sheets



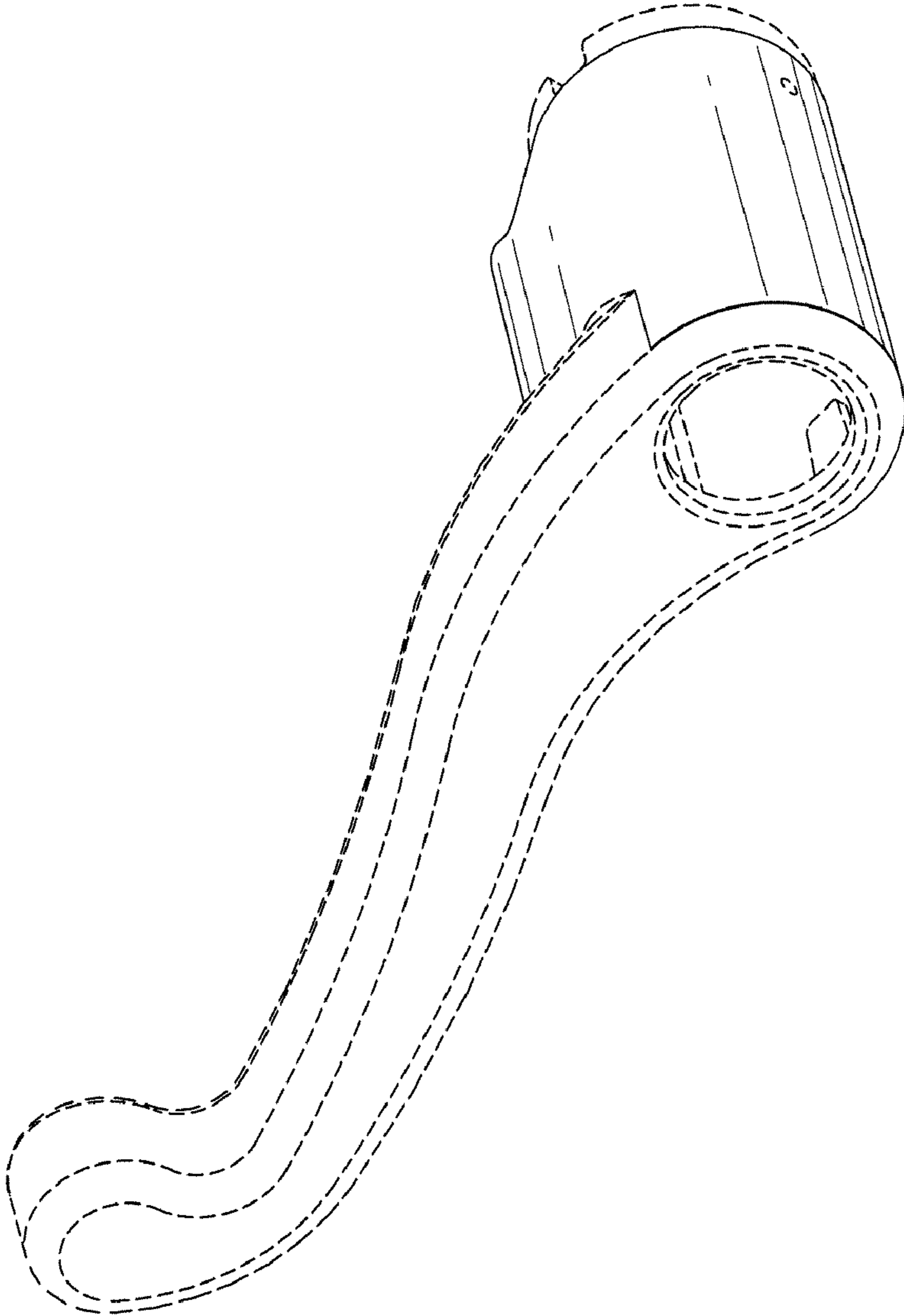


FIG. 1

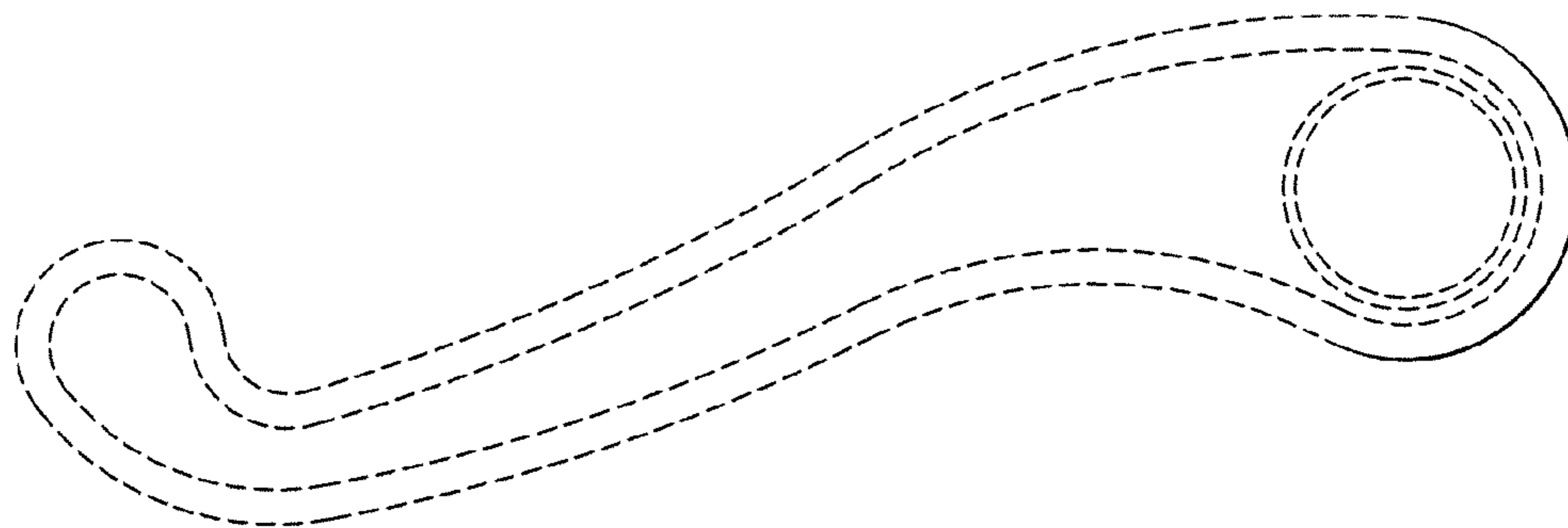


FIG. 2

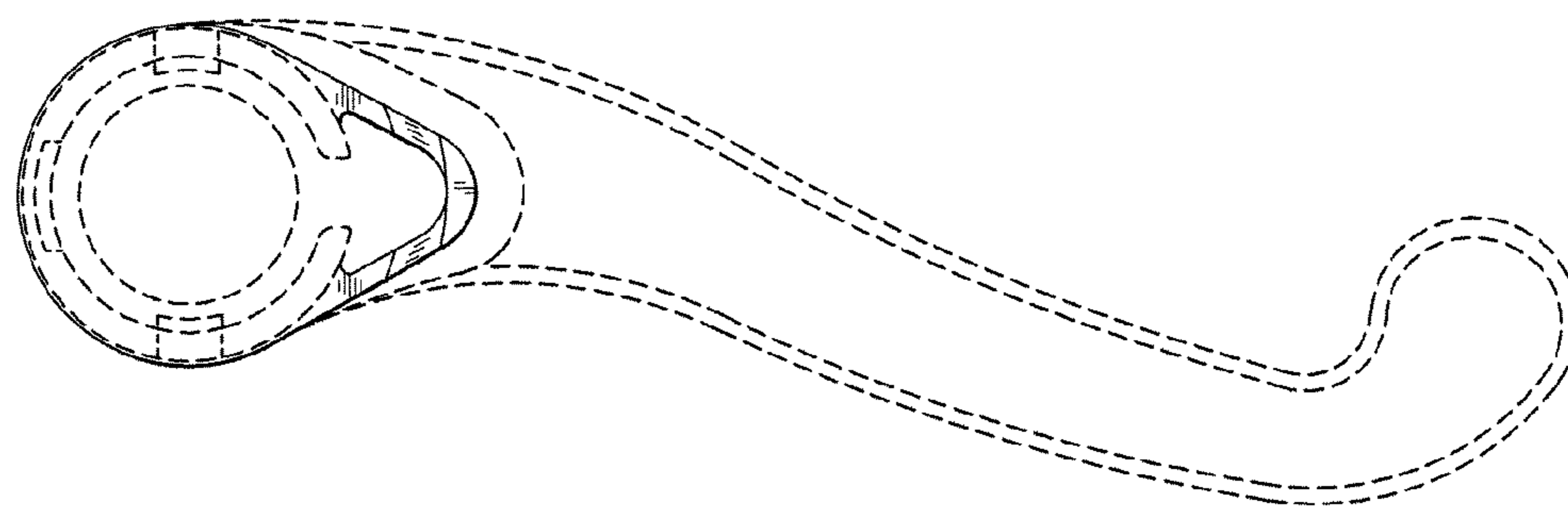


FIG. 3

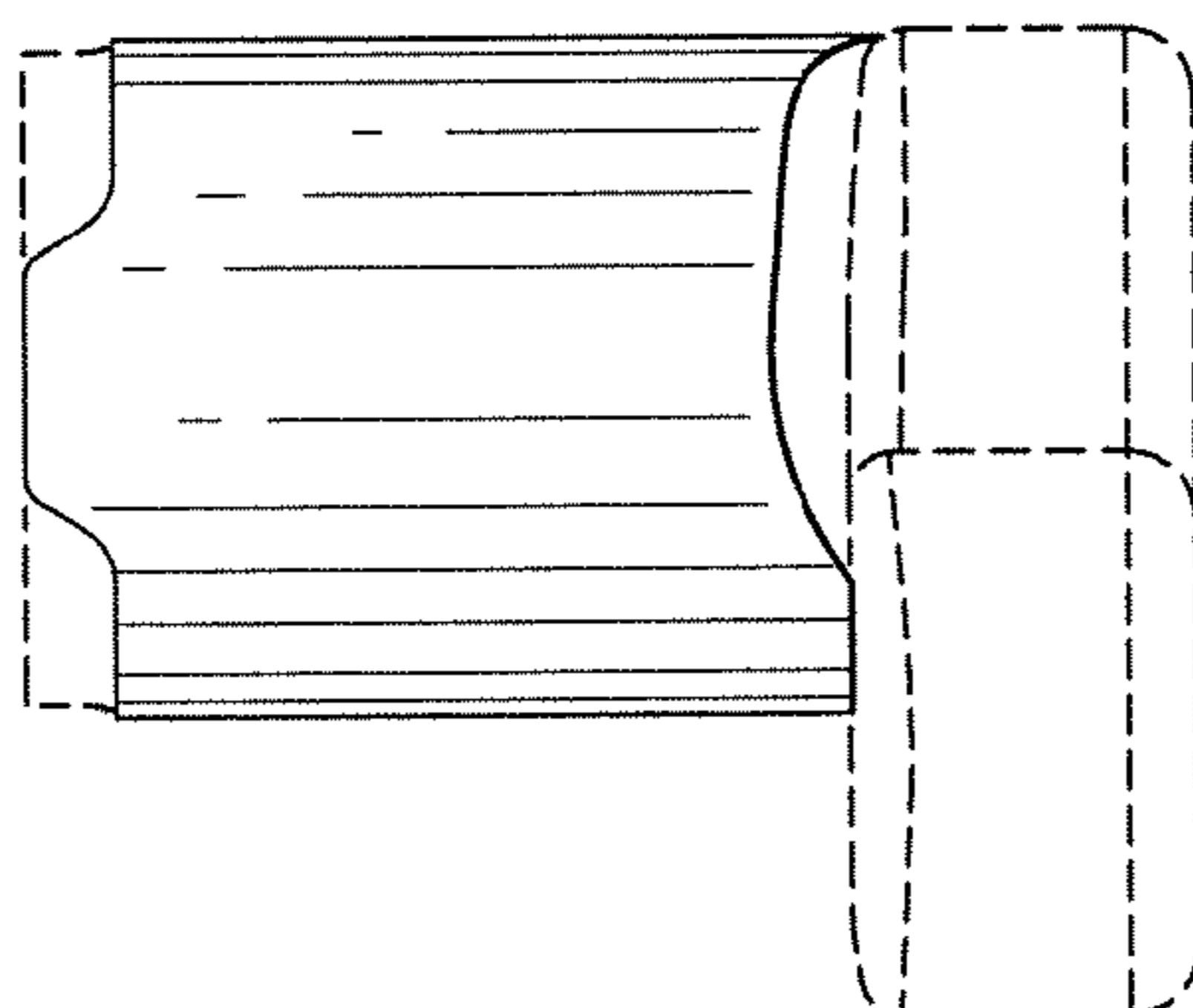


FIG. 4

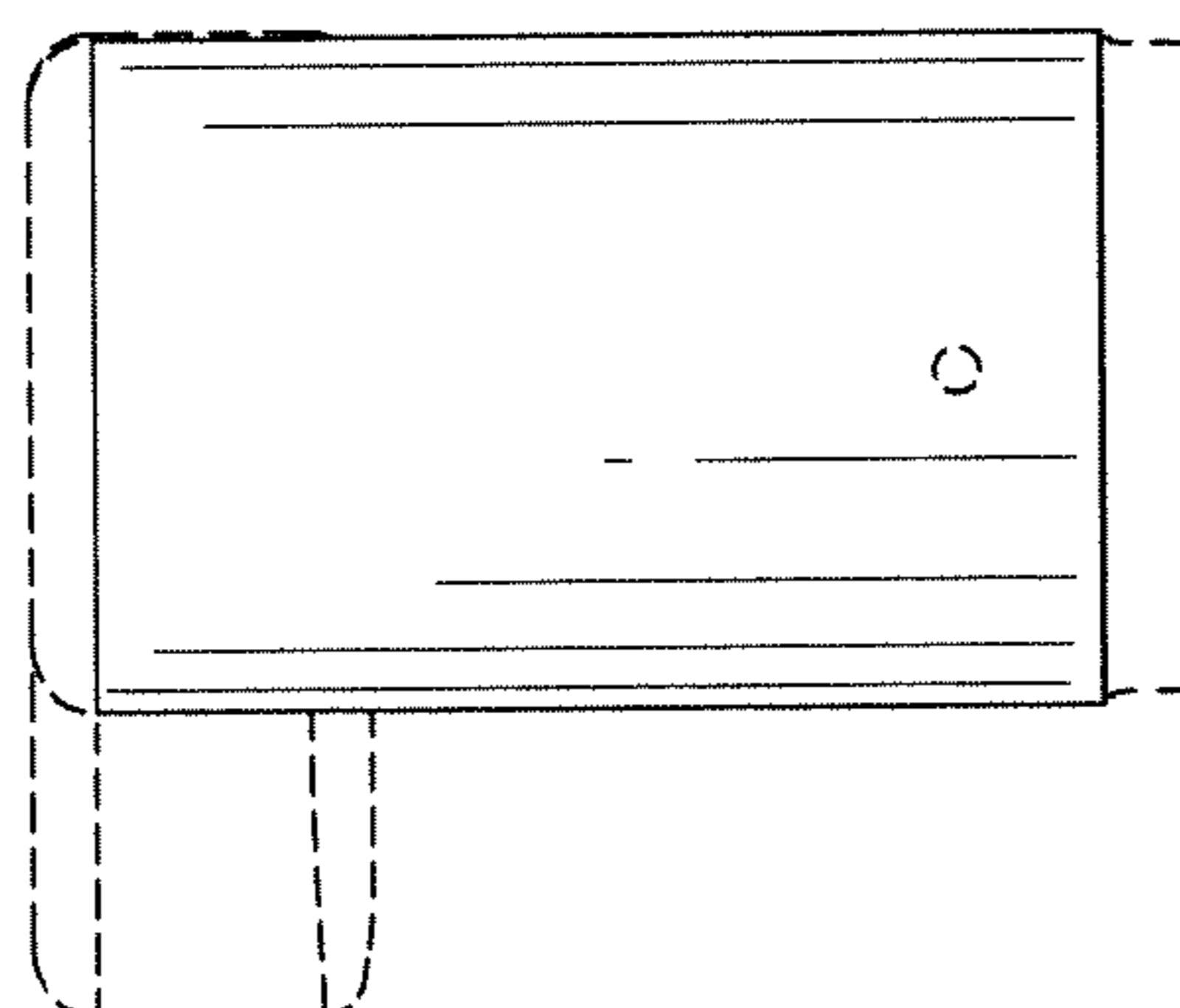


FIG. 5

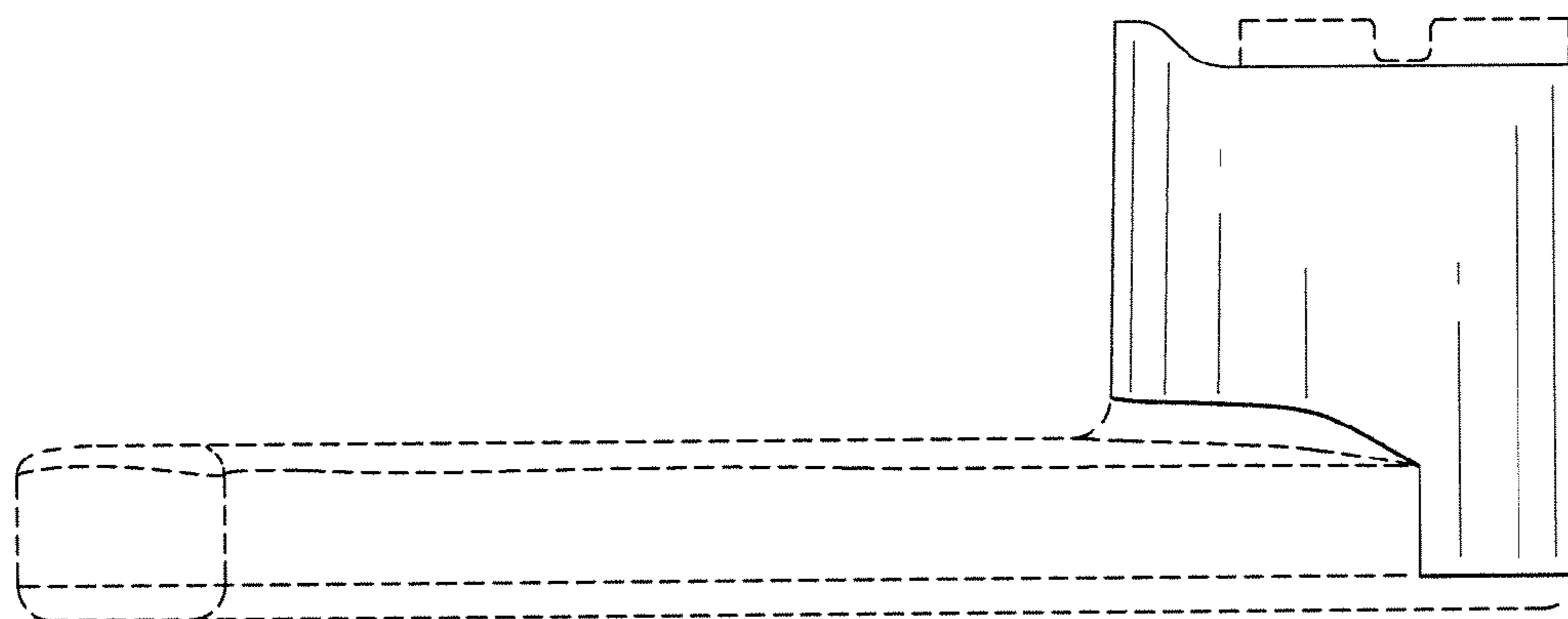


FIG. 6

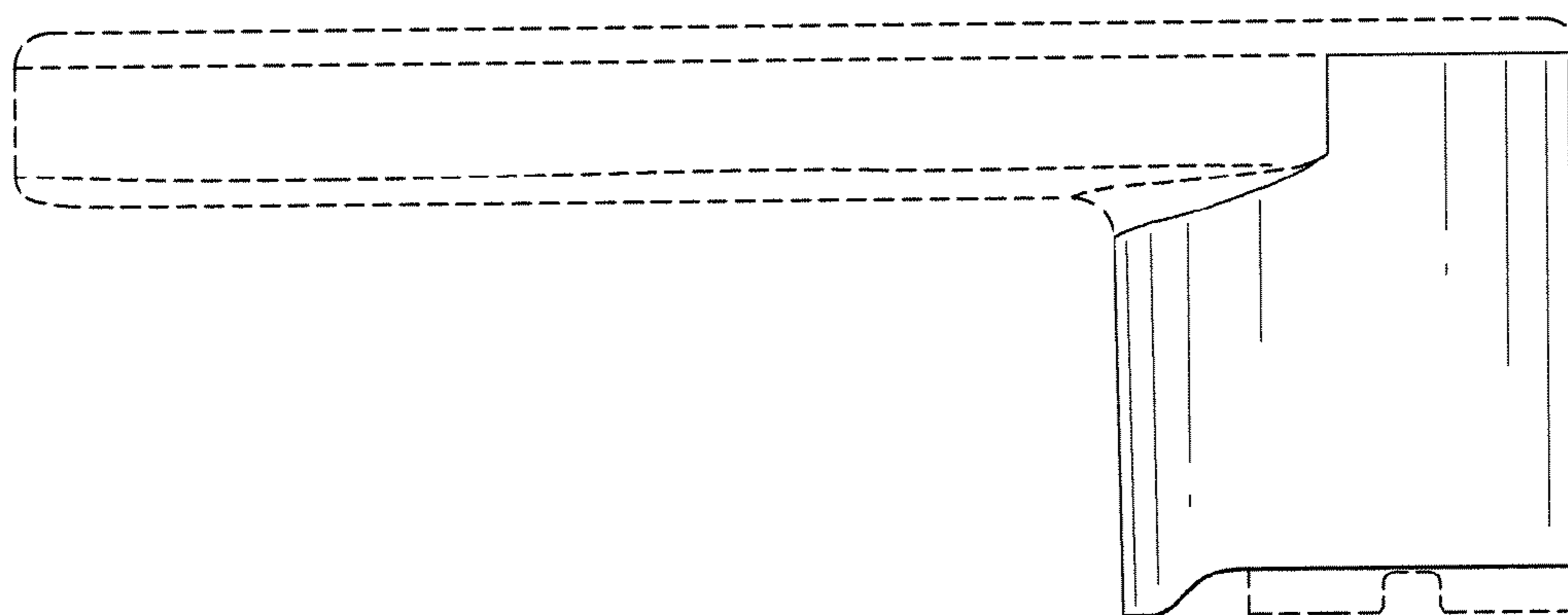


FIG. 7