



US00D635836S

(12) **United States Design Patent**  
**Elmelund**

(10) **Patent No.:** **US D635,836 S**

(45) **Date of Patent:** **\*\* Apr. 12, 2011**

(54) **HANDLE FOR CAULKING GUN**

(75) Inventor: **Jorgen Elmelund**, Greve (DK)

(73) Assignee: **Kroger A/S**, Greve (DK)

(\*\*) Term: **14 Years**

(21) Appl. No.: **29/367,865**

(22) Filed: **Aug. 13, 2010**

(30) **Foreign Application Priority Data**

Feb. 15, 2010 (EM) ..... 001195697-0001

Feb. 15, 2010 (EM) ..... 001195697-0002

(51) **LOC (9) Cl.** ..... **08-05**

(52) **U.S. Cl.** ..... **D8/14.1**

(58) **Field of Classification Search** ..... D8/14.1;  
222/92, 105, 145.1, 160, 325-327, 386, 391,  
222/567; 74/141.5

See application file for complete search history.

(56) **References Cited**

U.S. PATENT DOCUMENTS

D520,820 S \* 5/2006 Chang et al. .... D8/14.1

\* cited by examiner

*Primary Examiner* — Antoine D Davis

(74) *Attorney, Agent, or Firm* — Ladas & Parry LLP

(57) **CLAIM**

The ornamental design for a handle for a caulking gun, as shown and described.

**DESCRIPTION**

FIG. 1 is a perspective view from the right side and above of the handle for a caulking gun which is the subject of my new design;

FIG. 2 is a front elevational view thereof;

FIG. 3 is a rear elevational view thereof;

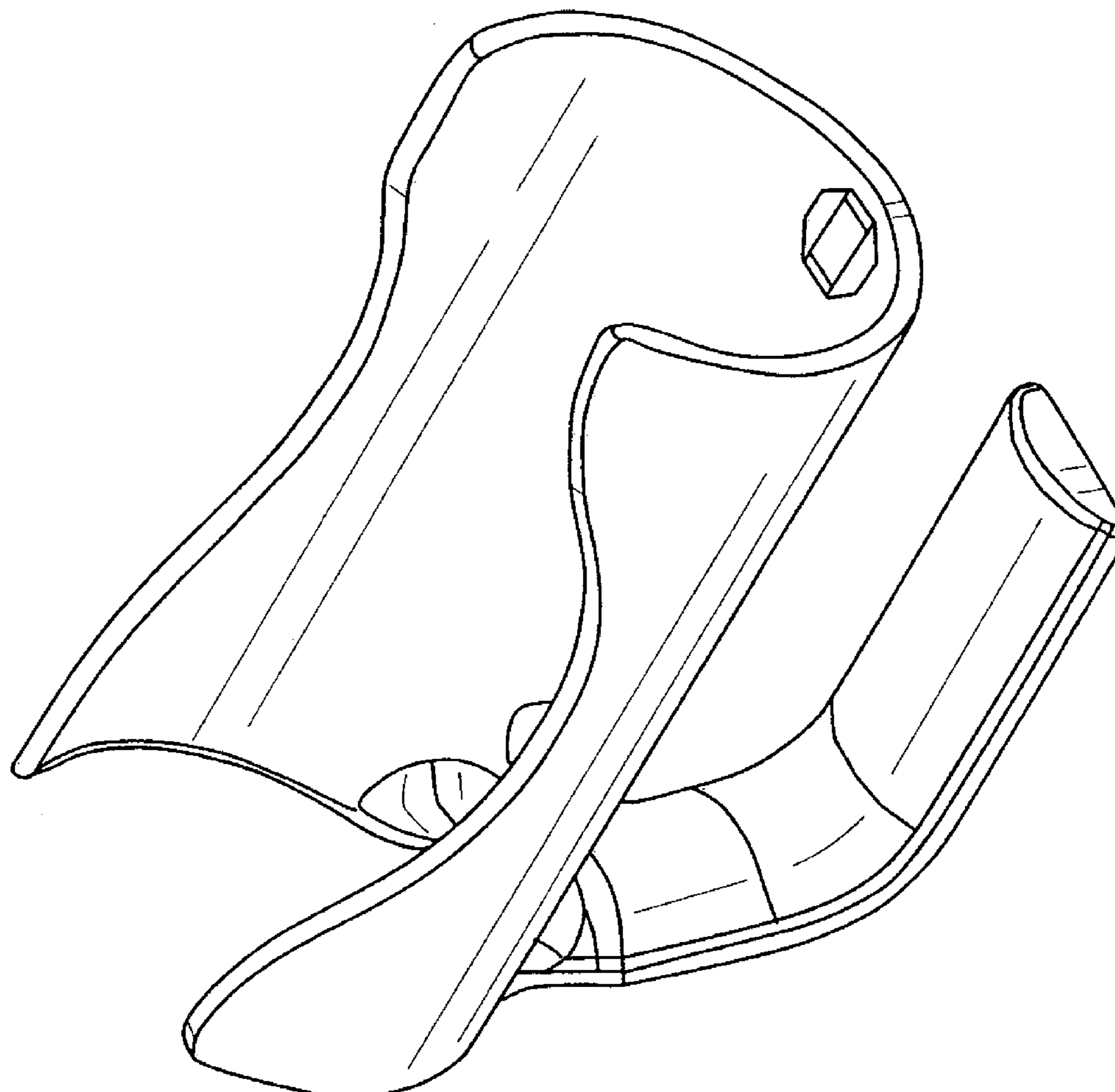
FIG. 4 is a right side elevational view thereof;

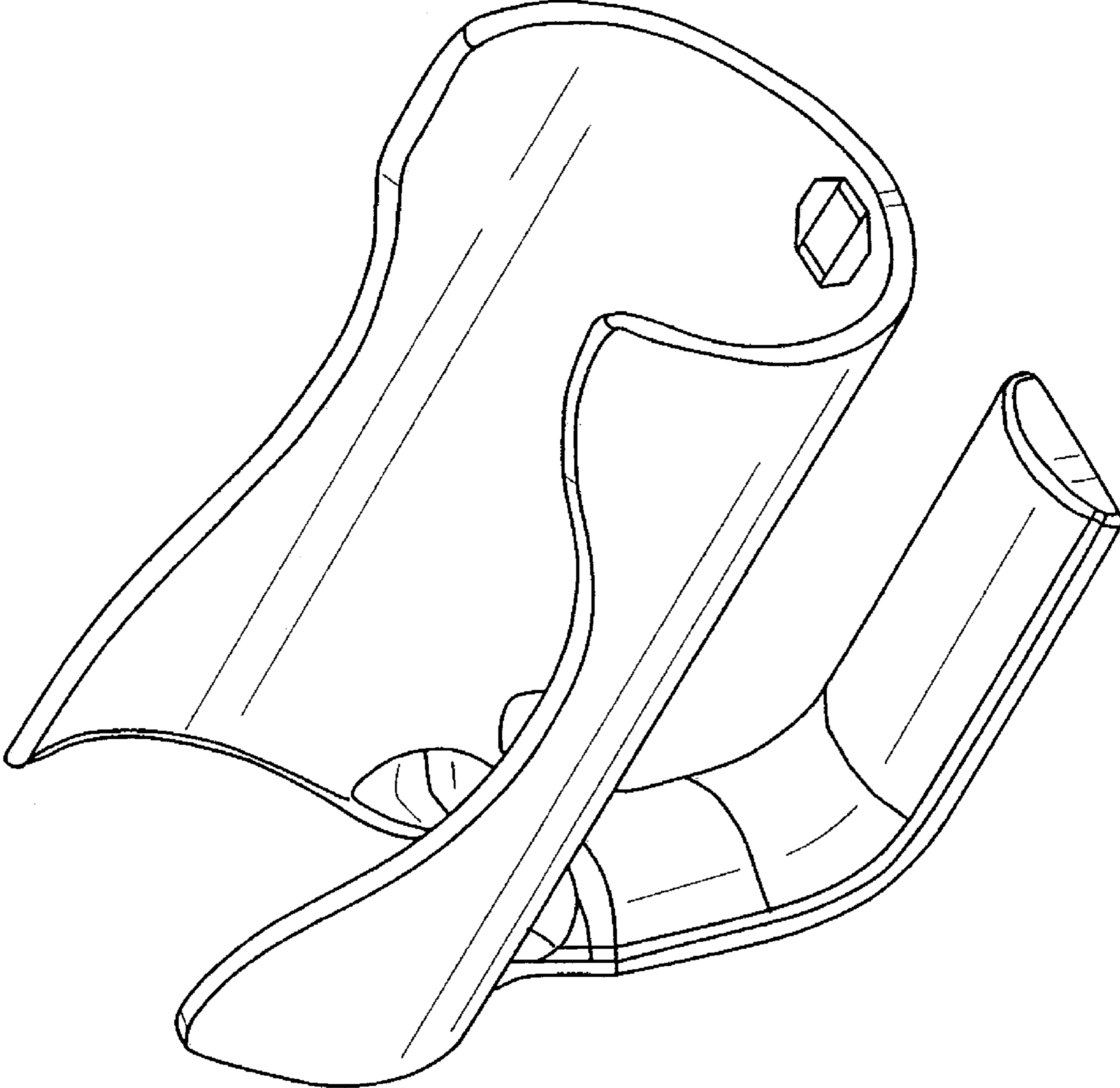
FIG. 5 is a left side elevational view thereof;

FIG. 6 is a top plan view thereof; and,

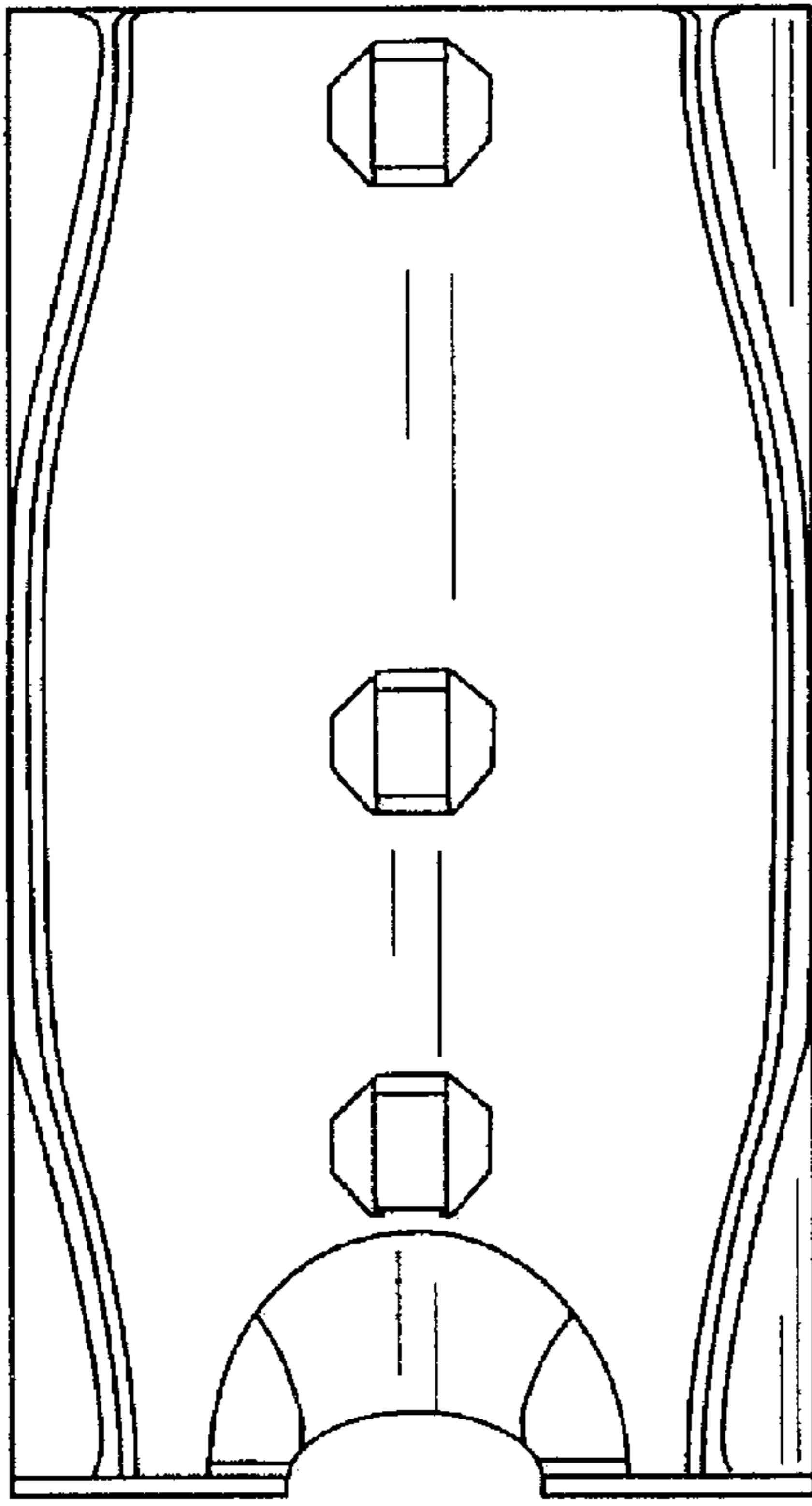
FIG. 7 is a bottom plan view thereof.

**1 Claim, 4 Drawing Sheets**

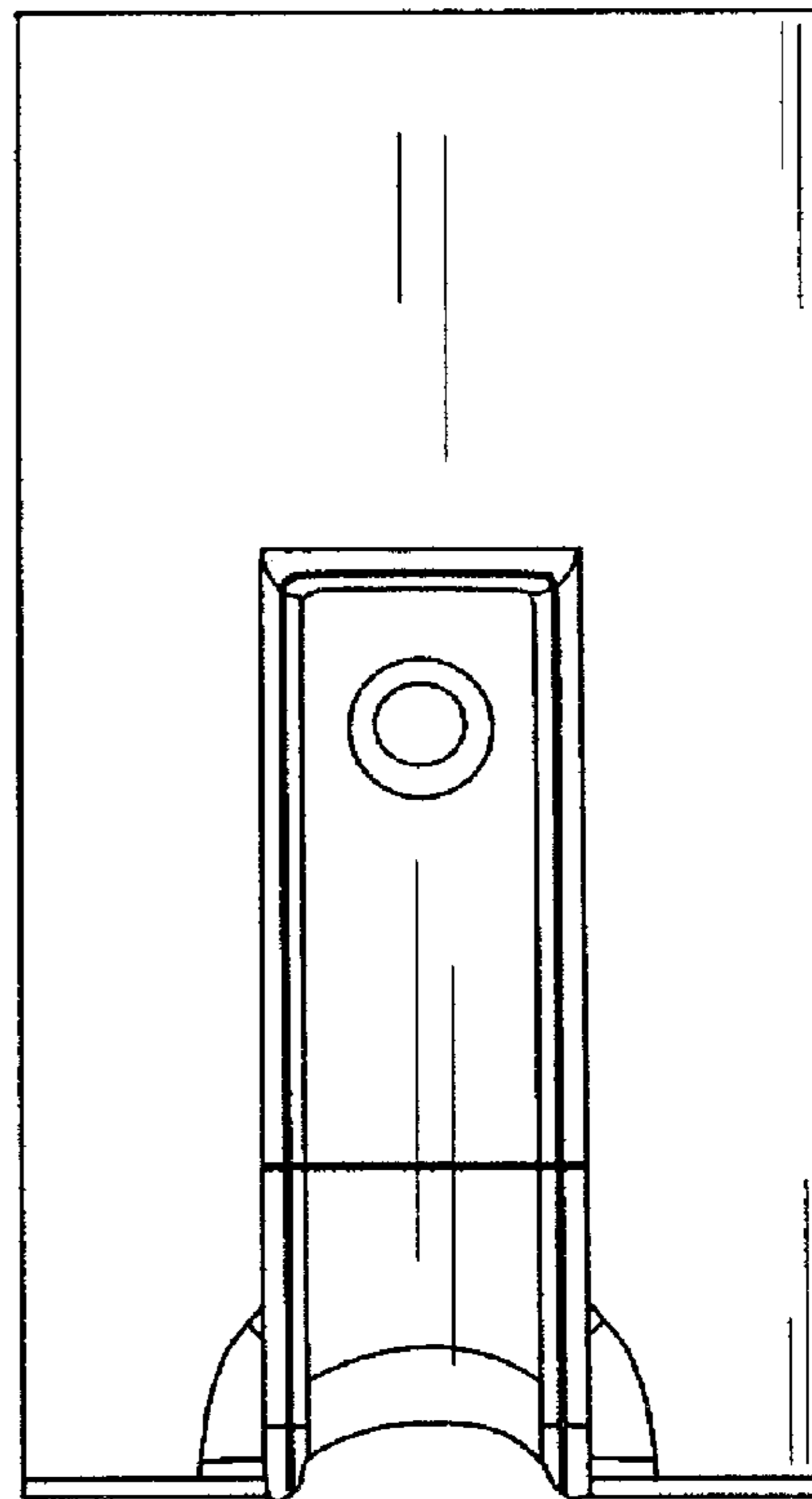




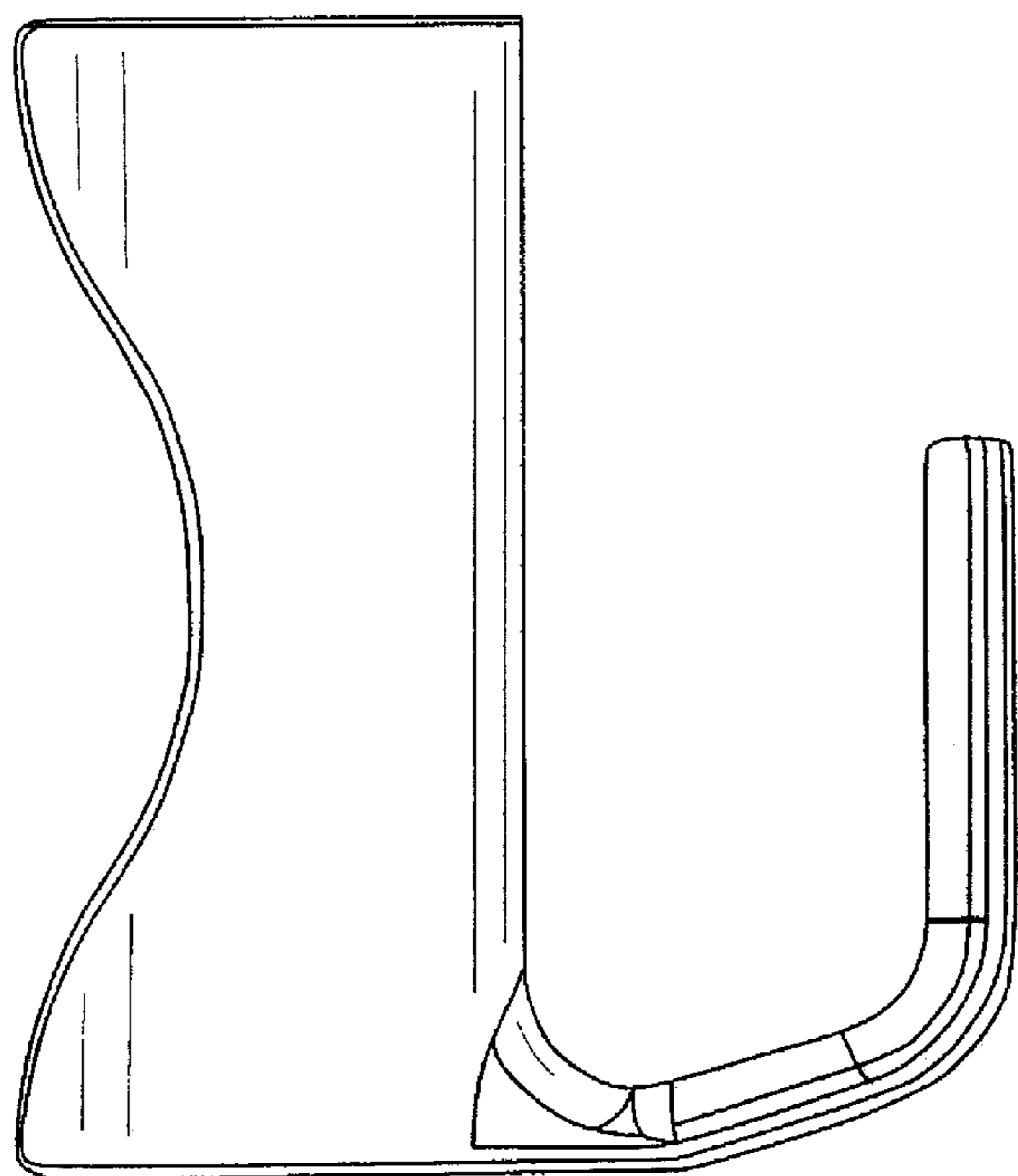
**FIG. 1**



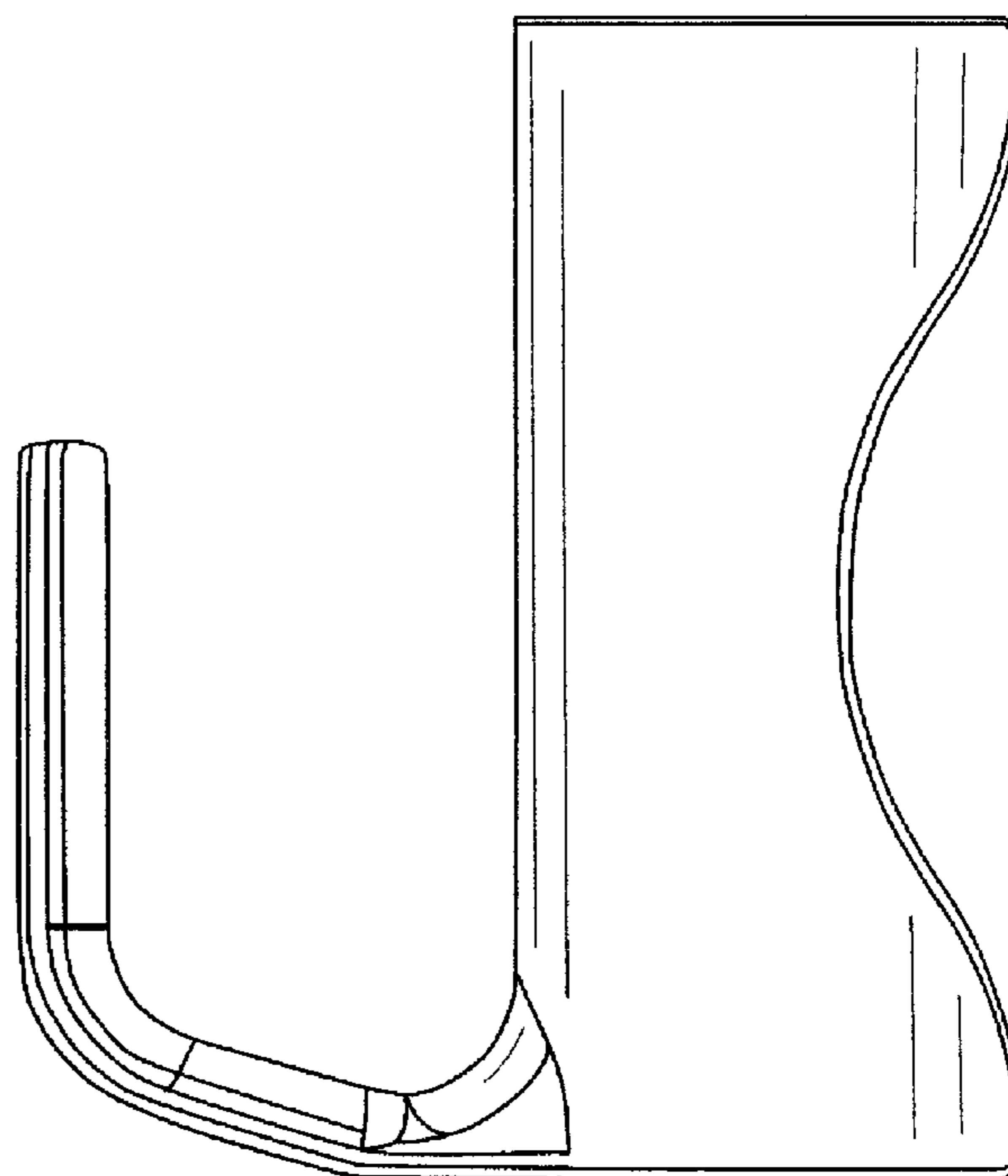
**FIG. 2**



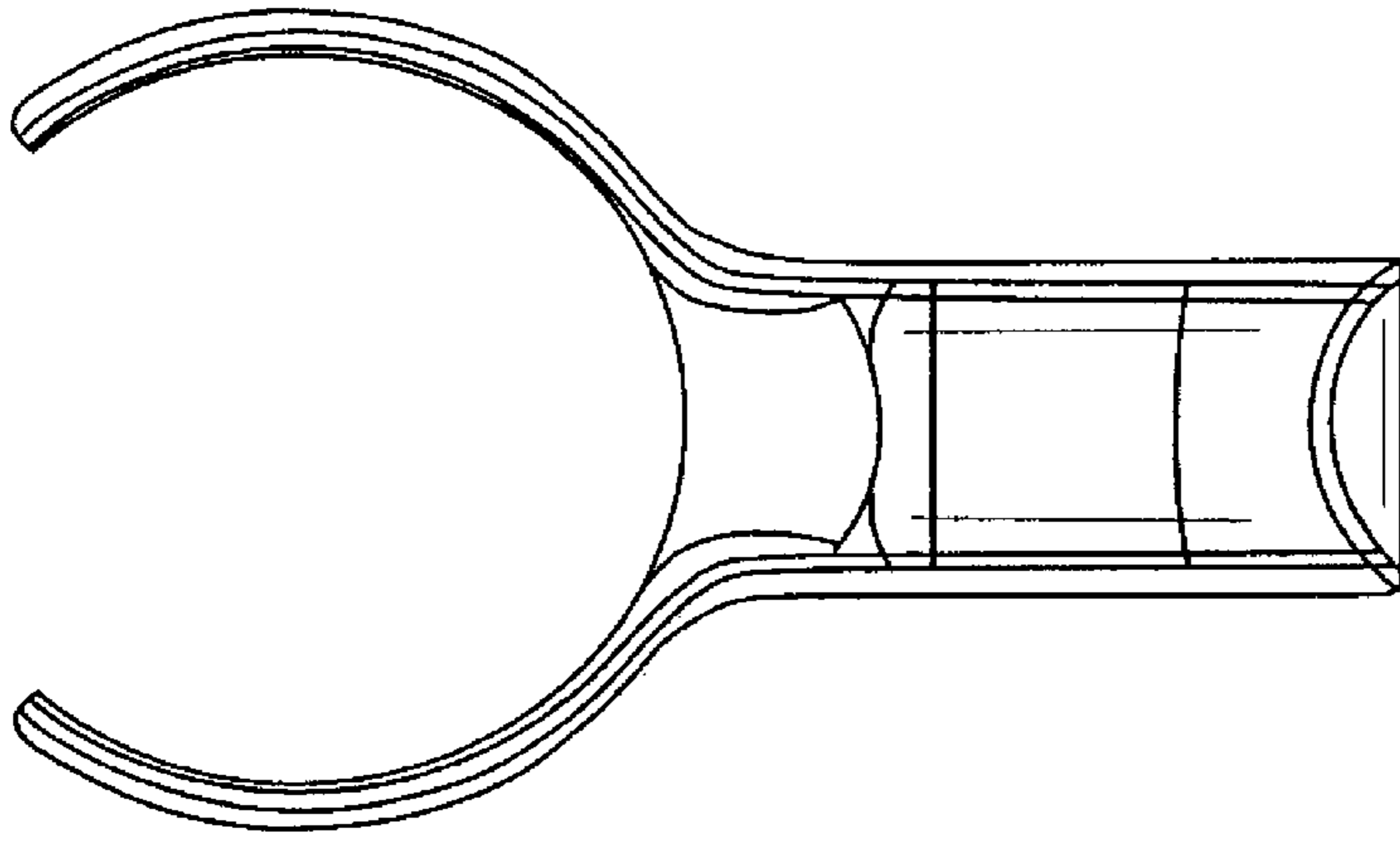
**FIG. 3**



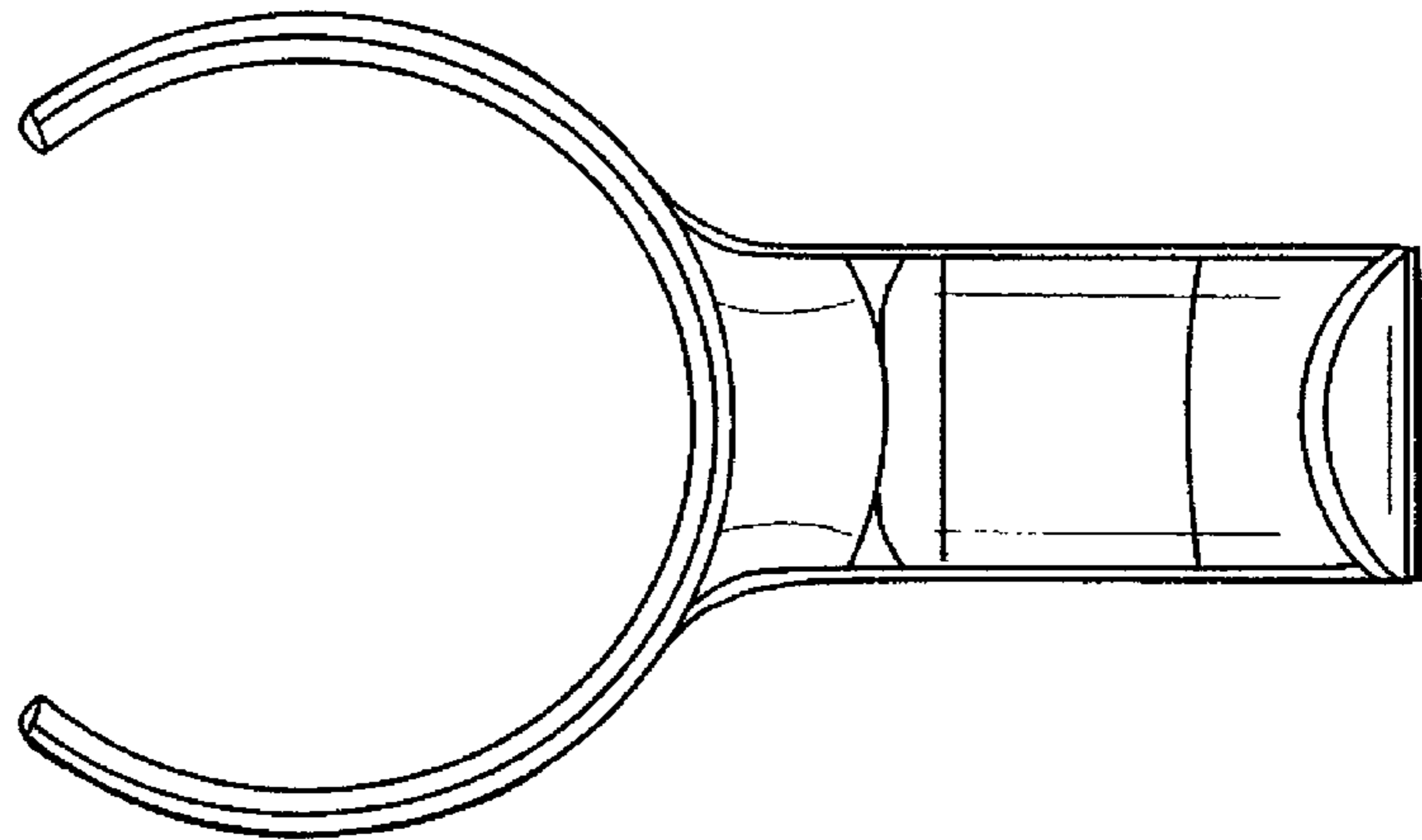
**FIG. 4**



**FIG. 5**



**FIG. 6**



**FIG. 7**