



US00D635835S

(12) **United States Design Patent**  
**Post**

(10) **Patent No.:** **US D635,835 S**  
(45) **Date of Patent:** **\*\* Apr. 12, 2011**

(54) **CAULKING GUN**

(75) Inventor: **Egon Post**, Brondby Strand (DK)

(73) Assignee: **Kroger A/S**, Greve (DK)

(\*\*) Term: **14 Years**

(21) Appl. No.: **29/367,862**

(22) Filed: **Aug. 13, 2010**

(30) **Foreign Application Priority Data**

Feb. 15, 2010 (EM) ..... 001195697-0001

Feb. 15, 2010 (EM) ..... 001195697-0002

(51) **LOC (9) Cl.** ..... **08-05**

(52) **U.S. Cl.** ..... **D8/14.1**

(58) **Field of Classification Search** ..... D8/14.1;  
222/92, 105, 145.1, 160, 325-327, 386, 391,  
222/567; 74/141.5

See application file for complete search history.

(56) **References Cited**

U.S. PATENT DOCUMENTS

D413,235 S \* 8/1999 Hwang ..... D8/14.1

D505,306 S \* 5/2005 Gaddy ..... D8/14.1

\* cited by examiner

*Primary Examiner* — Antoine D Davis

(74) *Attorney, Agent, or Firm* — Ladas & Parry LLP

(57) **CLAIM**

The ornamental design for a caulking gun, as shown and described.

**DESCRIPTION**

FIG. 1 is a perspective view from above and to the left of the caulking gun which is the subject of my new design;

FIG. 2 is a perspective view from above and to the right of the caulking gun;

FIG. 3 is a front elevational view thereof;

FIG. 4 is a rear elevational view thereof;

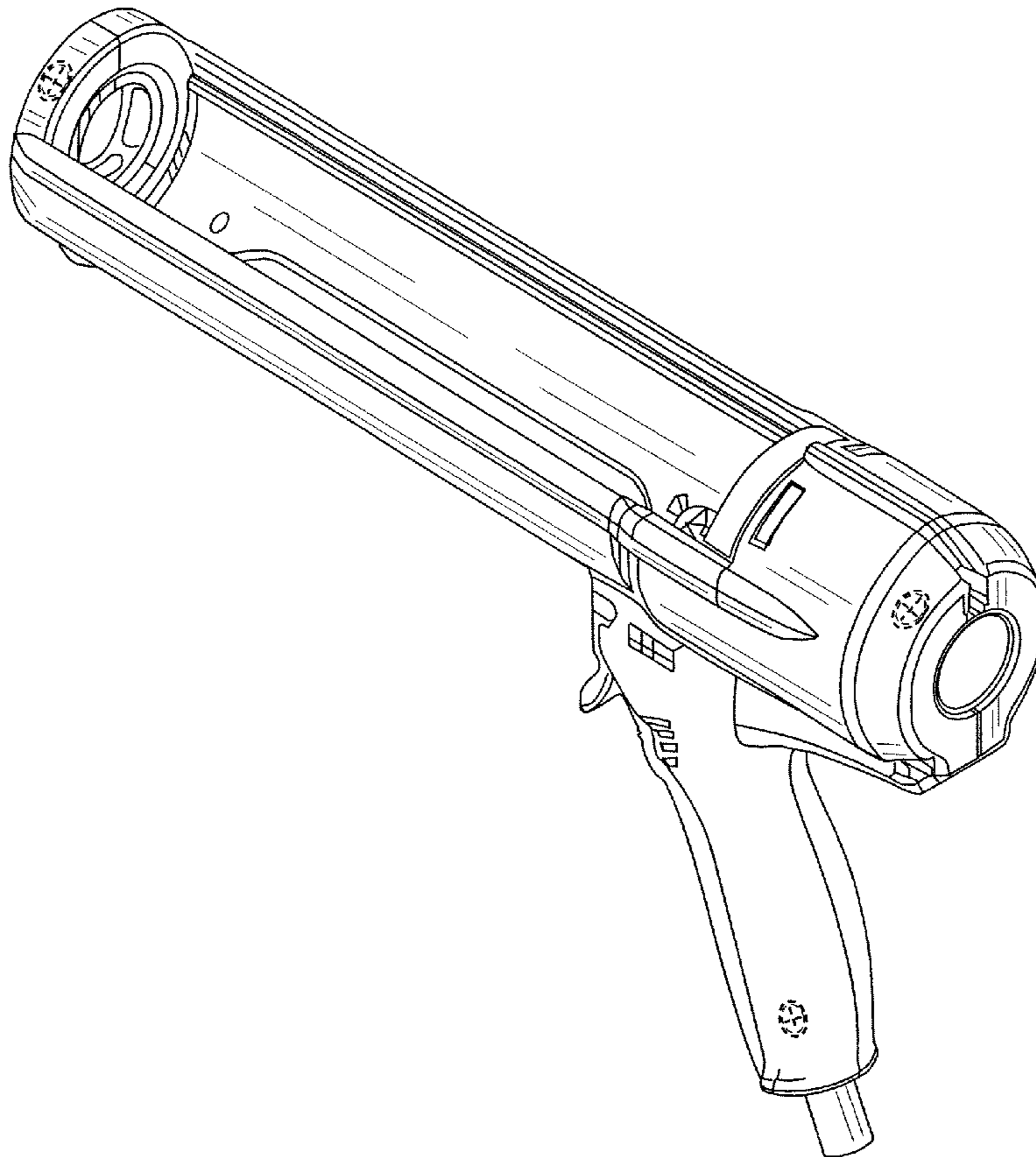
FIG. 5 is a right side elevational view thereof, the left side elevational view being a mirror image thereof;

FIG. 6 is a bottom plan view thereof; and,

FIG. 7 is a top plan view thereof.

The broken lines in the drawings depict environmental subject matter only and form no part of the claimed design.

**1 Claim, 5 Drawing Sheets**



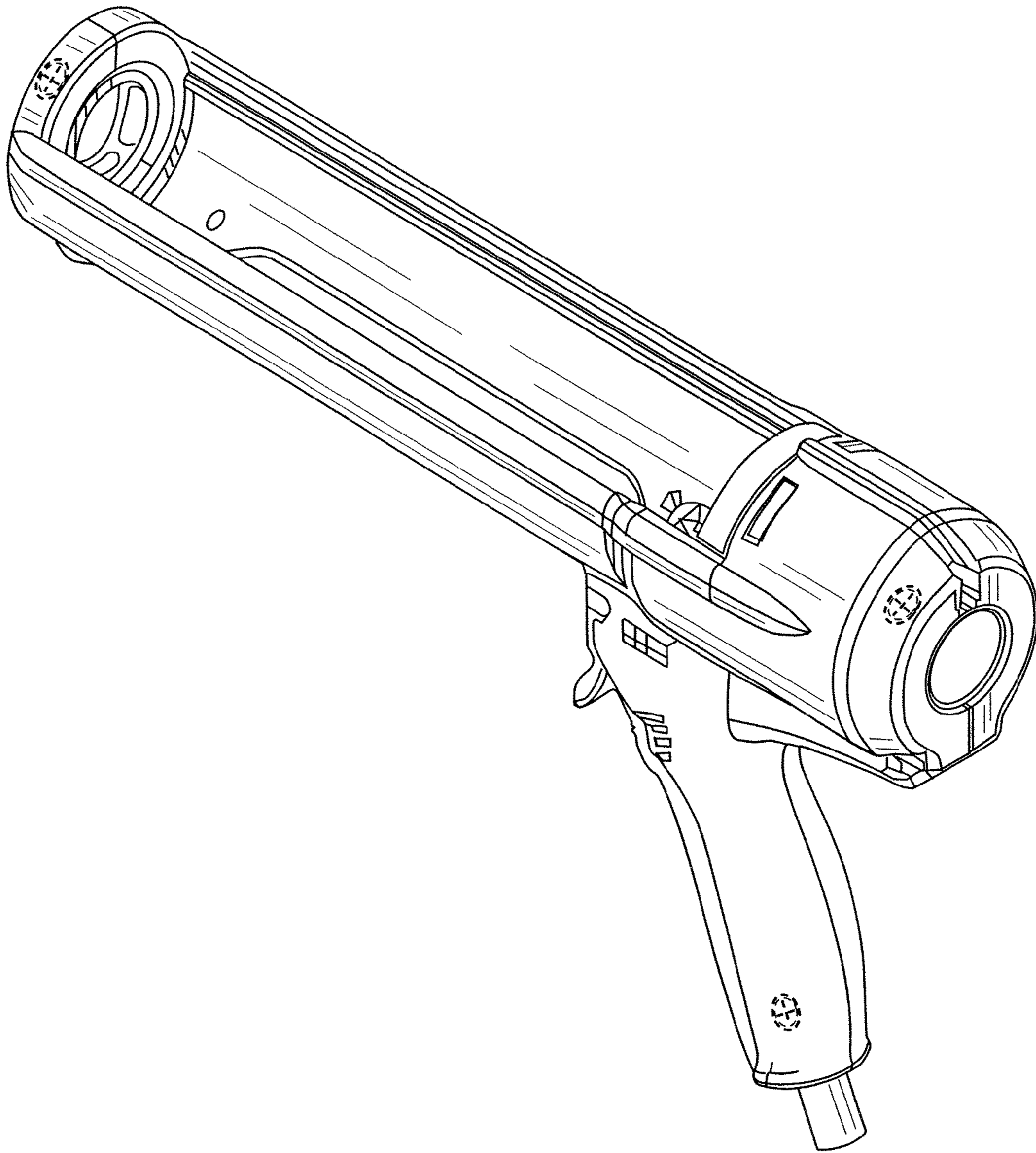


FIG. 1

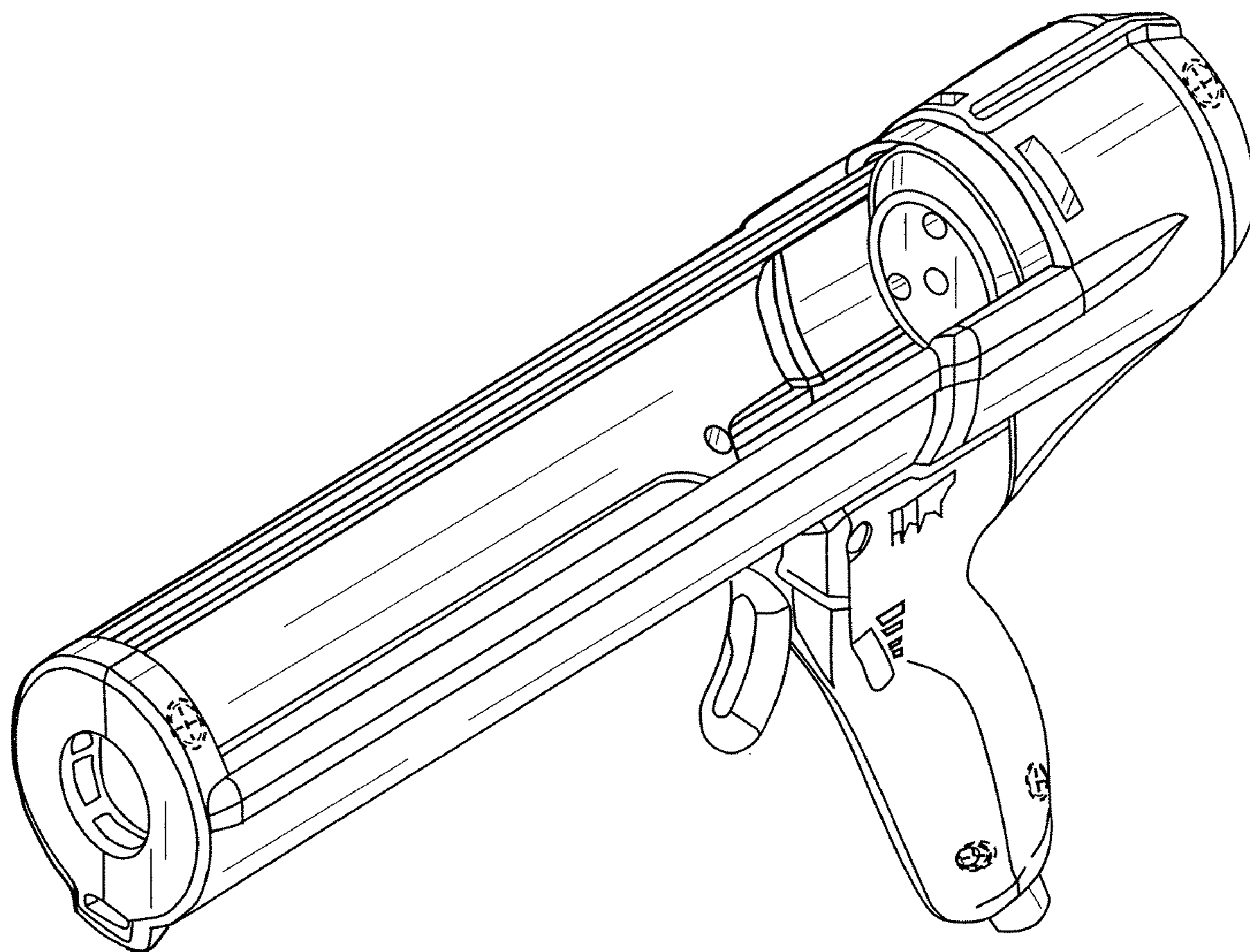
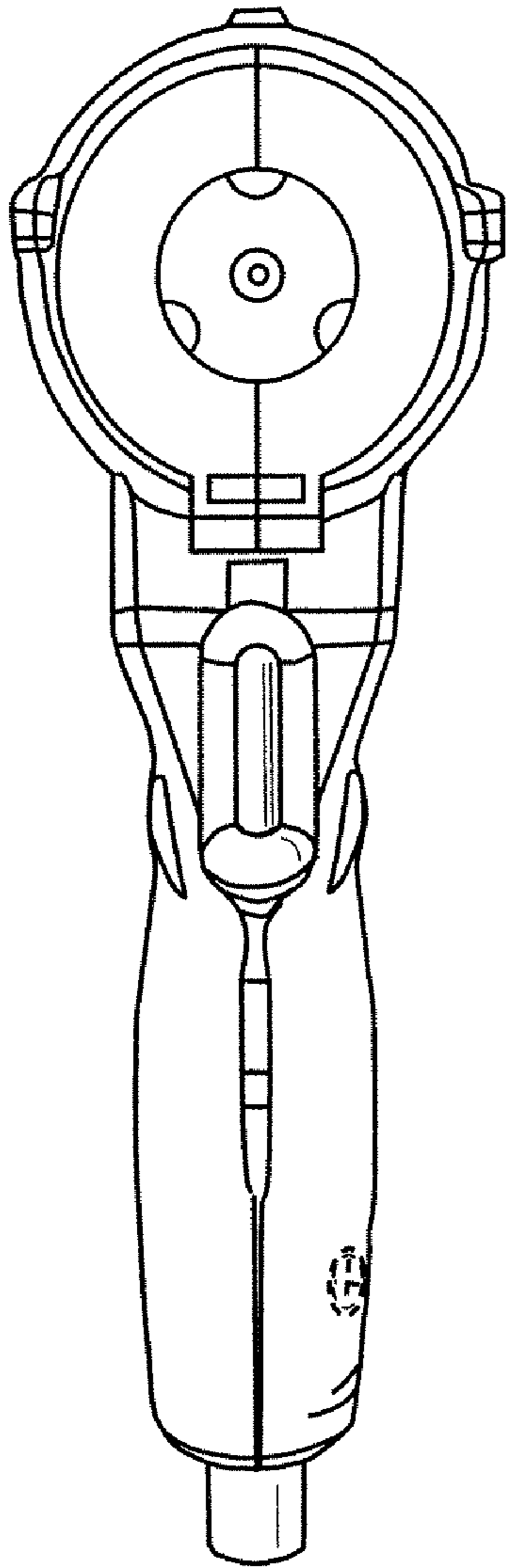
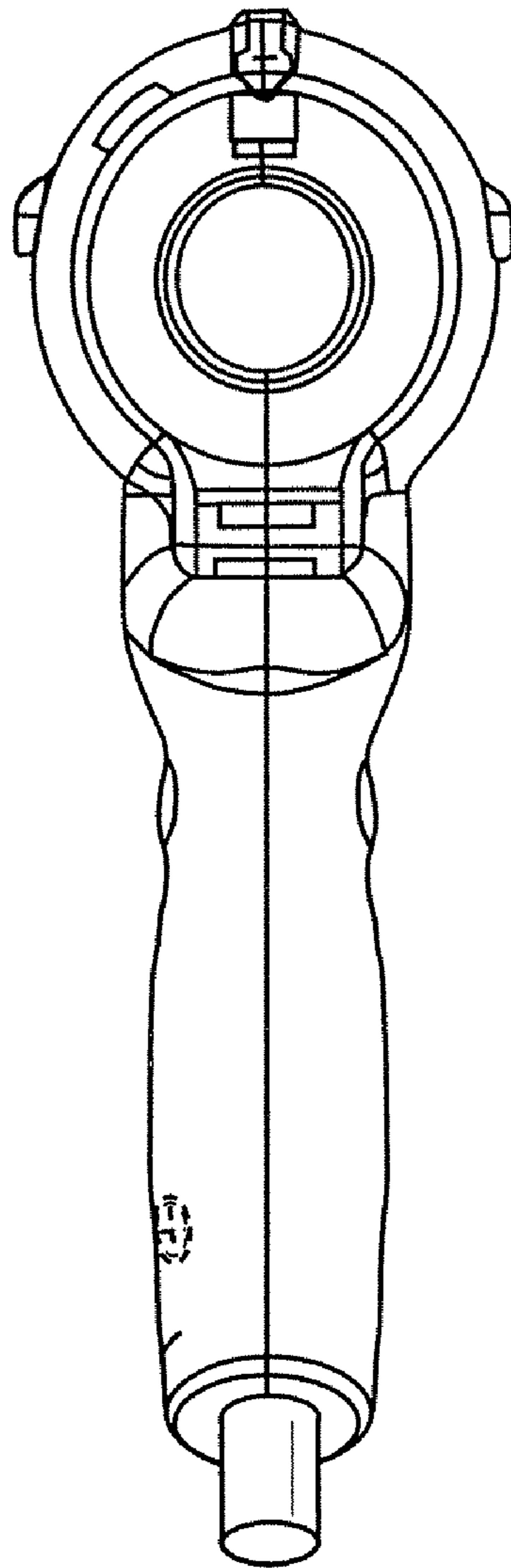


FIG. 2



**FIG. 3**



**FIG. 4**

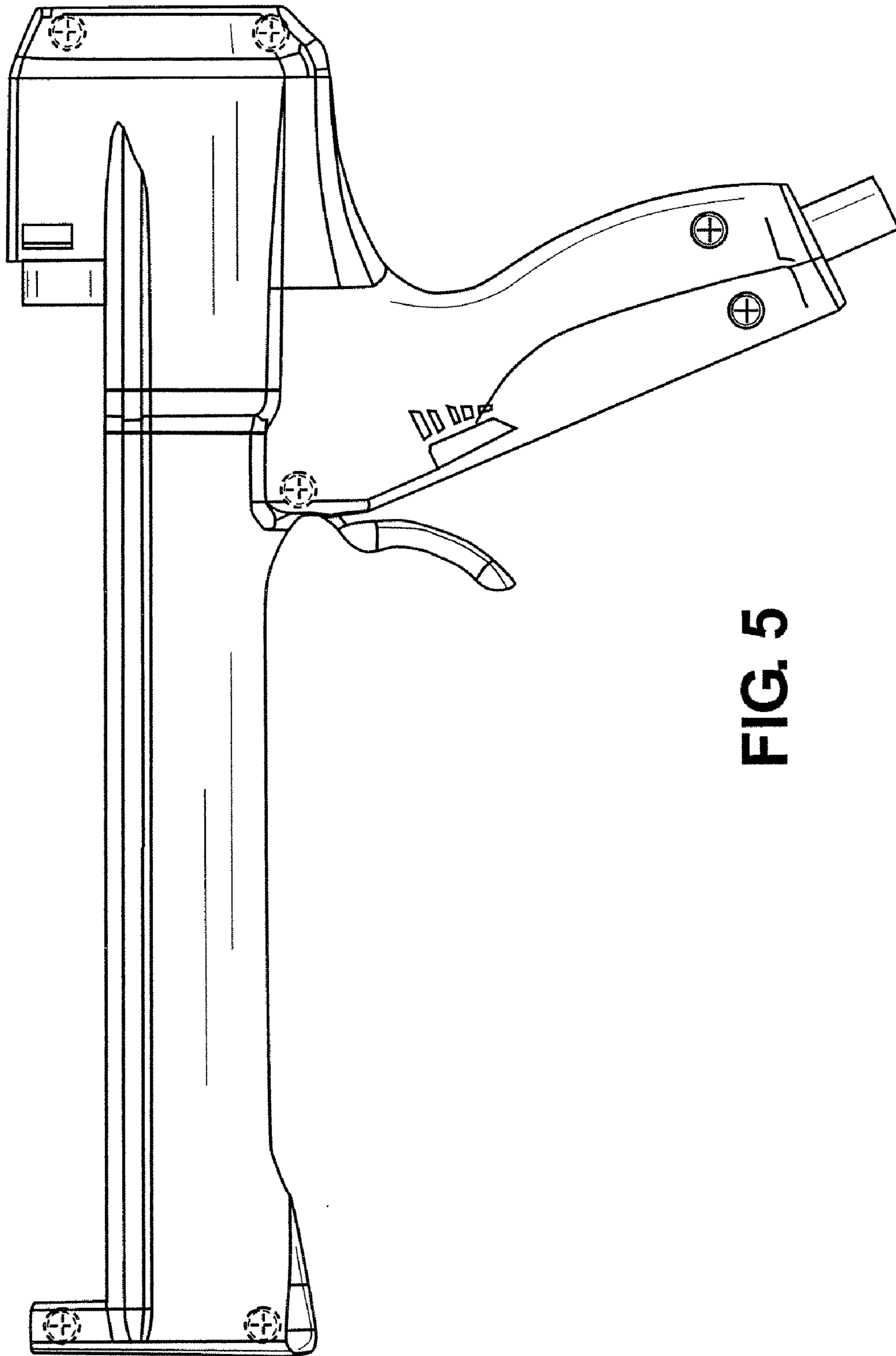


FIG. 5

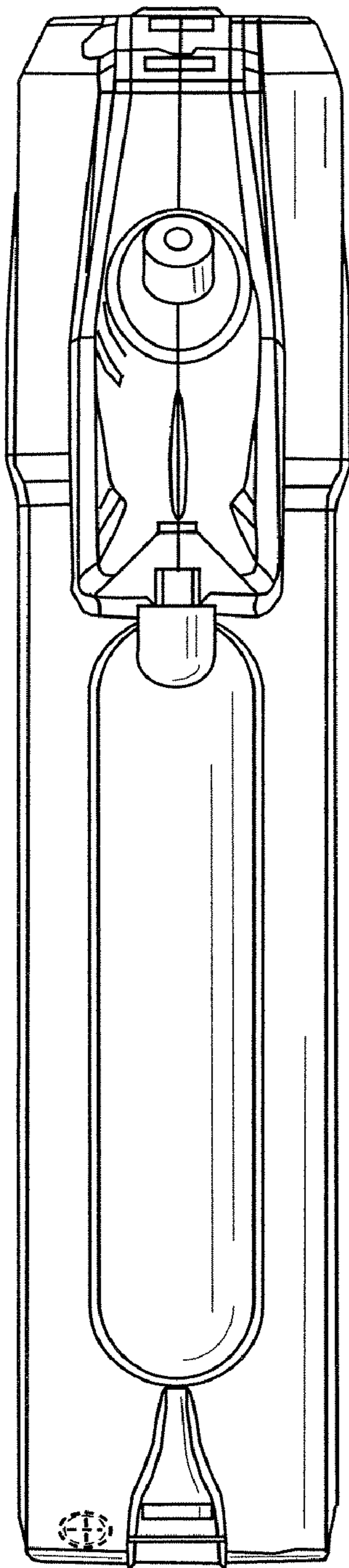


FIG. 6

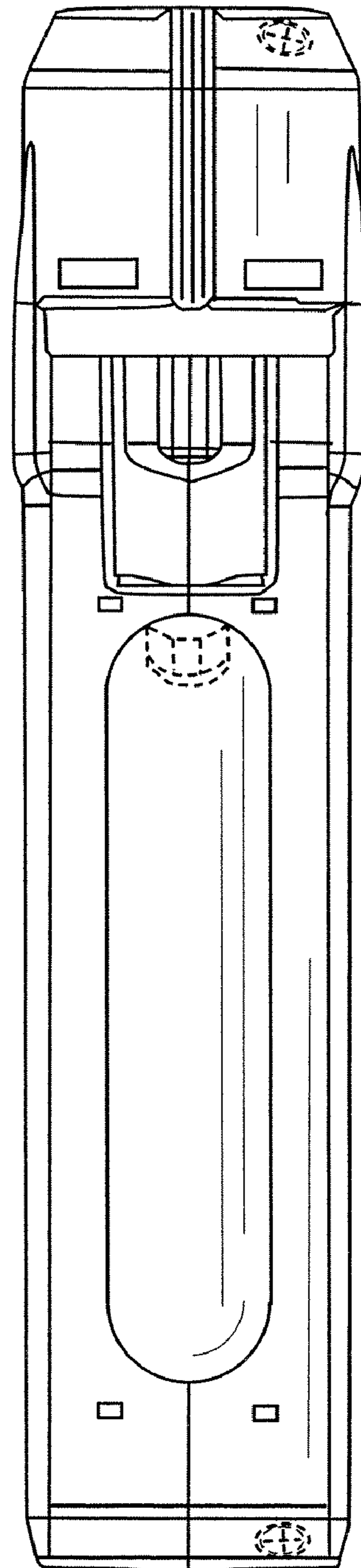


FIG. 7