



US00D635834S

(12) **United States Design Patent**
Clink

(10) **Patent No.:** **US D635,834 S**

(45) **Date of Patent:** **** Apr. 12, 2011**

(54) **WHEELED SHOVEL**

(76) Inventor: **Duane S. Clink**, Rio Rancho, NM (US)

(**) Term: **14 Years**

(21) Appl. No.: **29/357,036**

(22) Filed: **Mar. 5, 2010**

(51) **LOC (9) Cl.** **08-01**

(52) **U.S. Cl.** **D8/10**

(58) **Field of Classification Search** D8/1, 10,
D8/107; 15/236.07; 34/265; 294/49, 54.5,
294/51, 53.5, 55; 172/371-373

See application file for complete search history.

D405,665 S * 2/1999 Whitehead et al. D8/10

6,050,576 A 4/2000 Tanner et al.

D484,012 S * 12/2003 Pierce D8/10

6,945,545 B2 9/2005 Celli

7,681,336 B2 * 3/2010 Noonan et al. 37/265

* cited by examiner

Primary Examiner — Holly H Baynham

Assistant Examiner — Sheryl Lane

(74) *Attorney, Agent, or Firm* — Montgomery Patent and
Design; Robert C. Montgomery; Joseph T. Yaksich

(57) **CLAIM**

I claim the ornamental design for a wheeled shovel, as shown
and described.

DESCRIPTION

FIG. 1 is a perspective view of a wheeled shovel, showing my
new design;

FIG. 2 is a front view thereof;

FIG. 3 is a rear view thereof;

FIG. 4 is a left side view thereof with a right side view being
the mirror image;

FIG. 5 is a top view thereof; and,

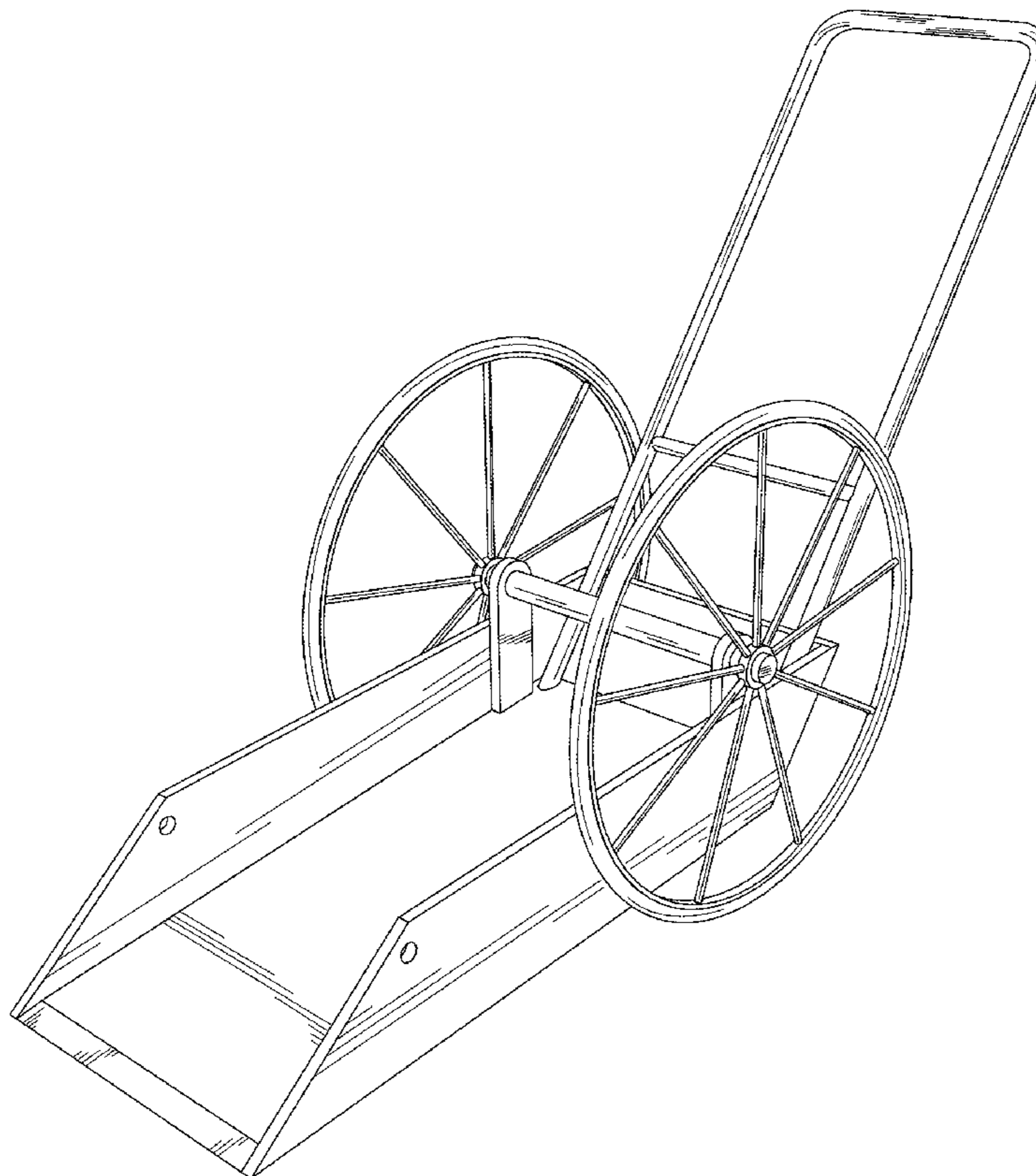
FIG. 6 is a bottom view thereof.

1 Claim, 6 Drawing Sheets

(56) **References Cited**

U.S. PATENT DOCUMENTS

996,596 A	6/1911	Lindner	
1,308,666 A	7/1919	Duckworth	
3,888,501 A	6/1975	McChesney	
4,341,393 A	7/1982	Gordon et al.	
4,740,008 A	4/1988	Johnson	
4,991,716 A	2/1991	Havlovitz	
5,123,187 A *	6/1992	Zamaria	37/265
D375,235 S *	11/1996	Spear et al.	D8/10
D376,965 S *	12/1996	Spear et al.	D8/10
D383,582 S *	9/1997	Sinclair, Jr.	D34/18



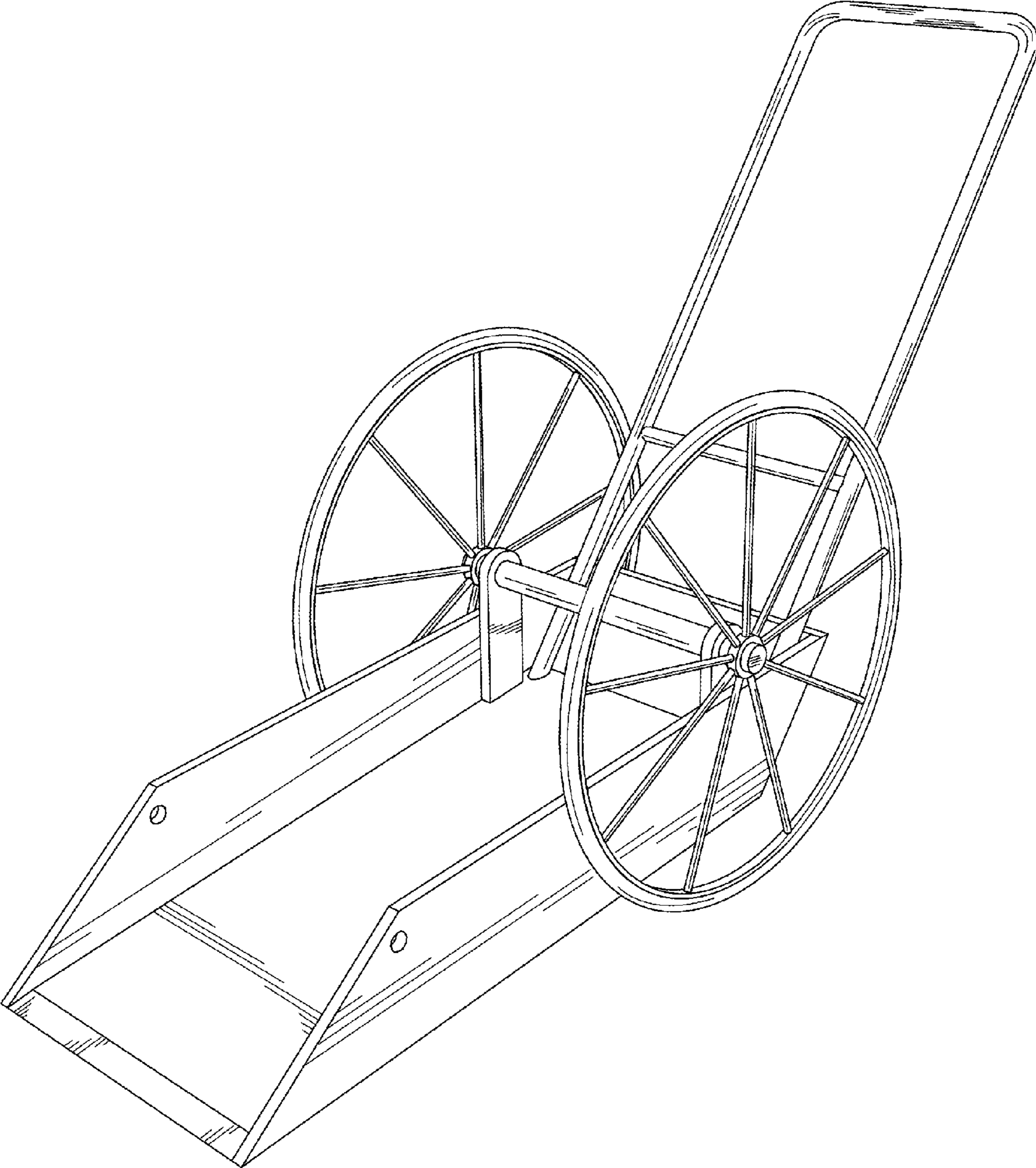


Fig. 1

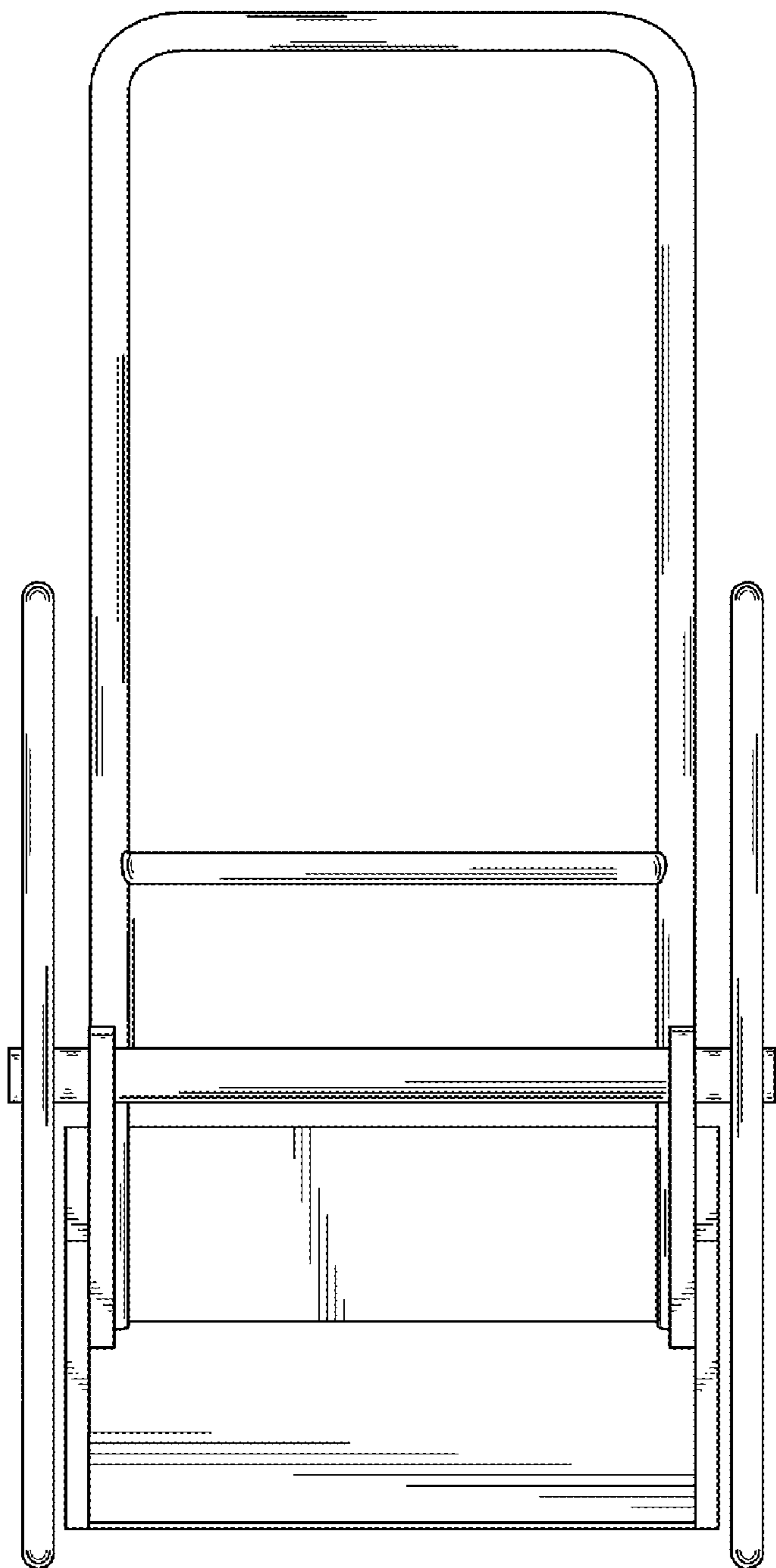


Fig. 2

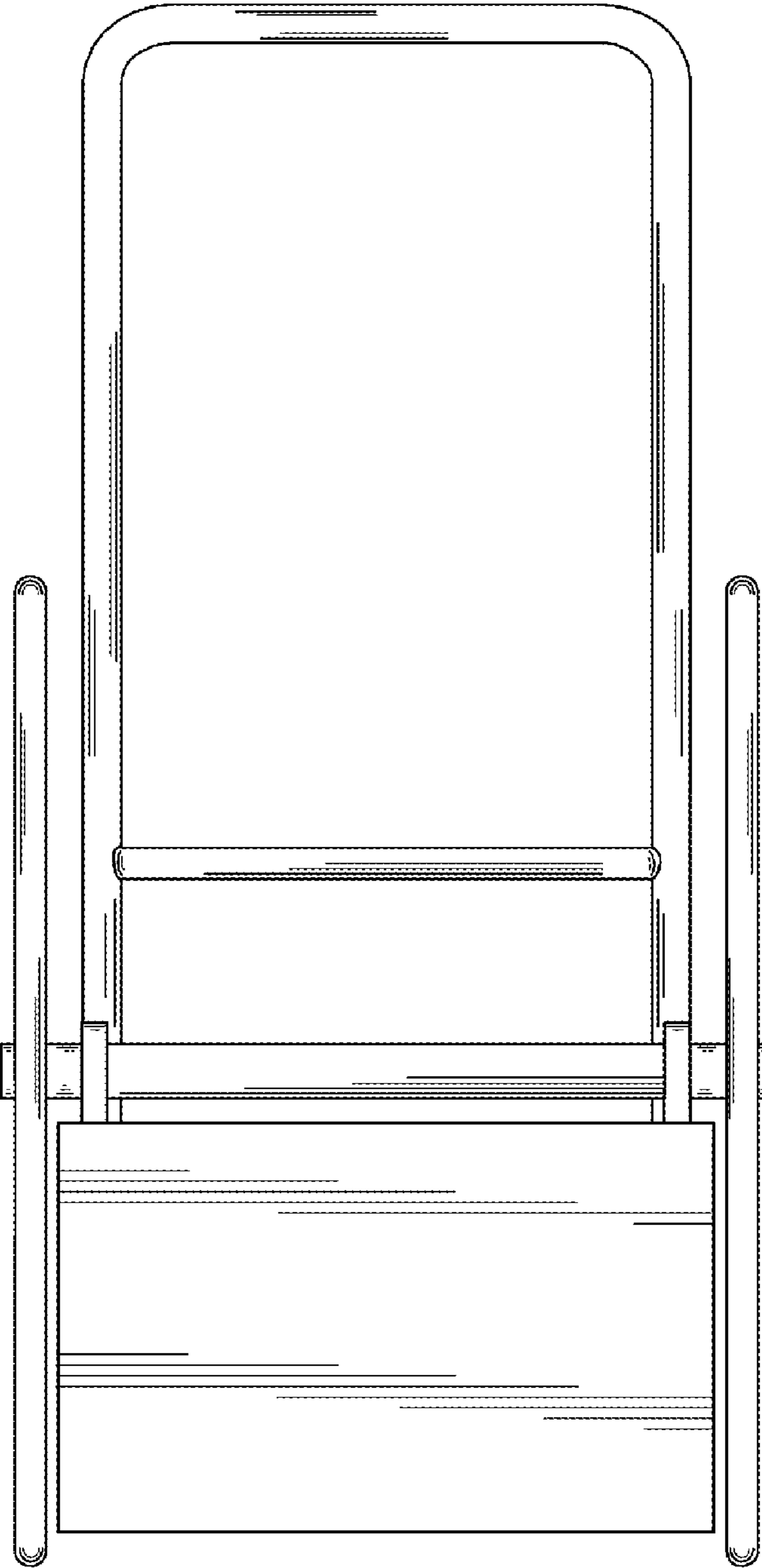


Fig. 3

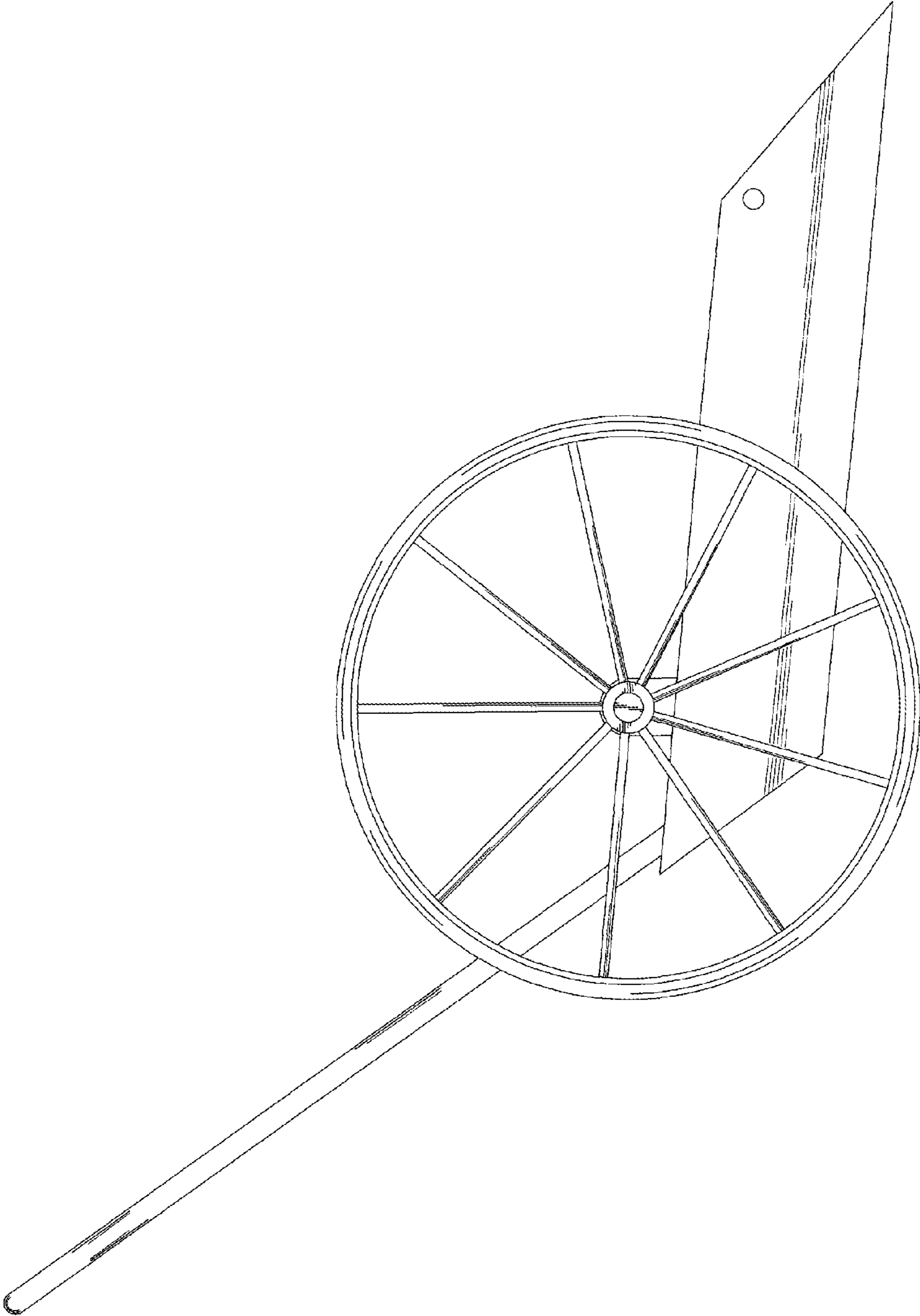


Fig. 4

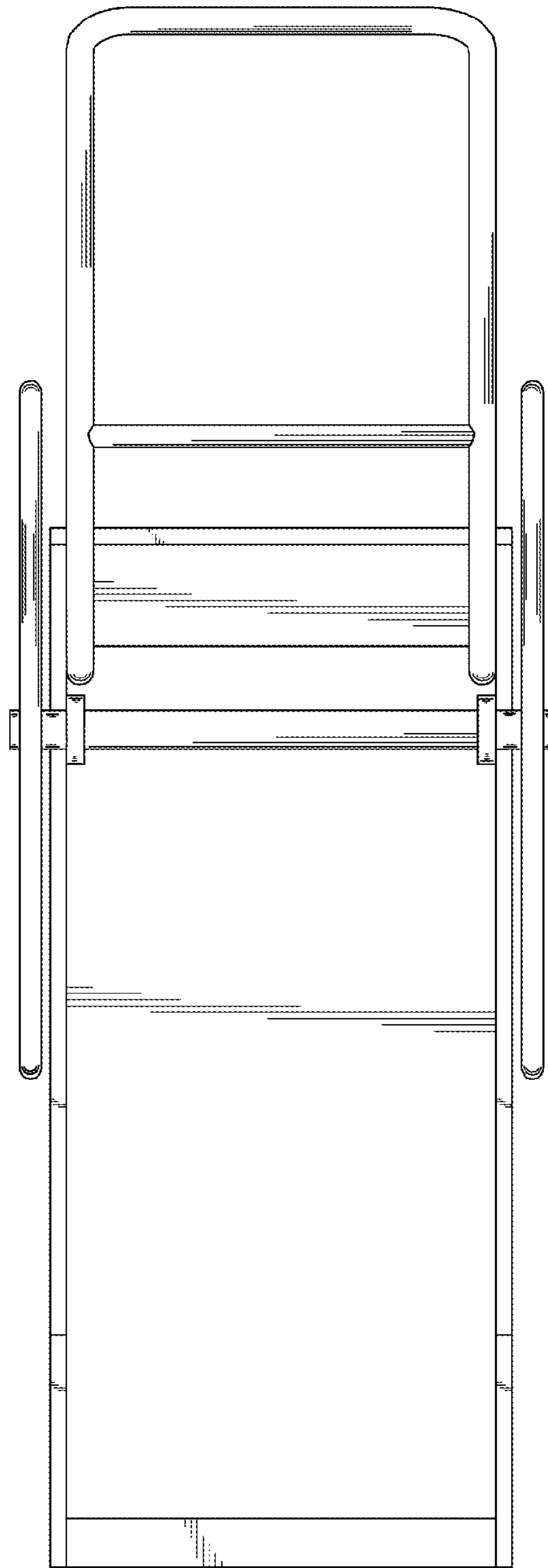


Fig. 5

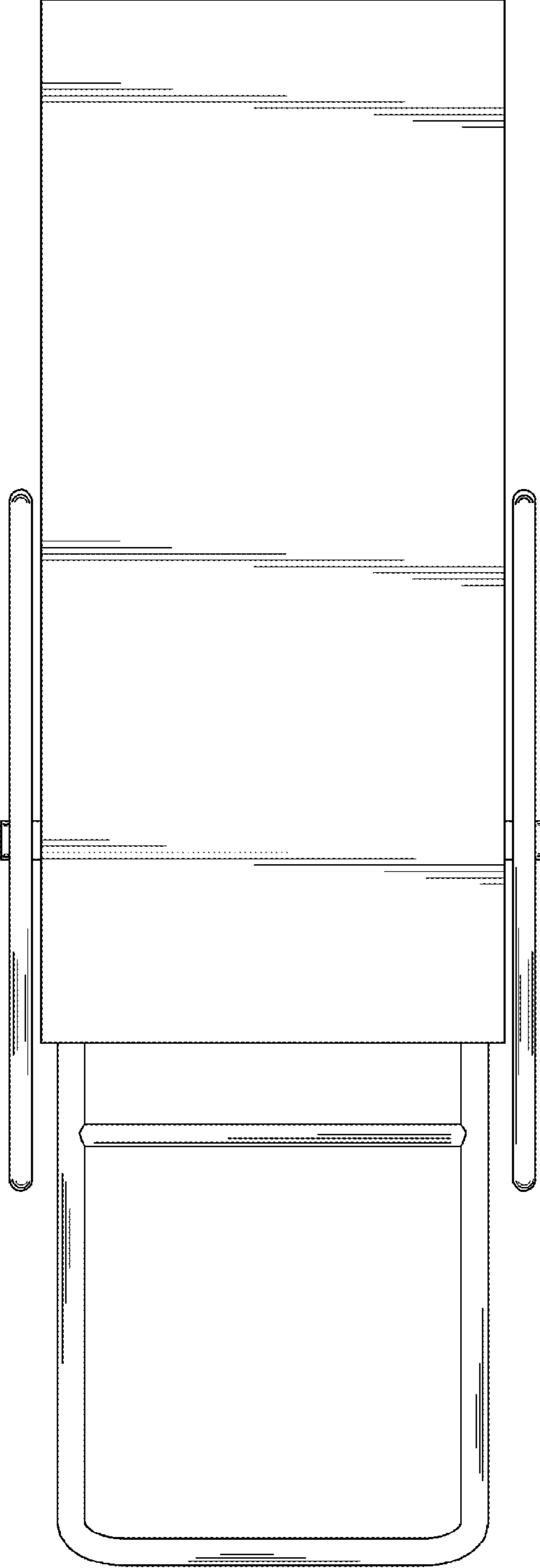


Fig. 6