



US00D635826S

(12) **United States Design Patent**  
**Krasznai**

(10) **Patent No.:** **US D635,826 S**

(45) **Date of Patent:** **\*\* Apr. 12, 2011**

(54) **FOOD PROCESSOR ATTACHMENT**

(75) **Inventor:** **Charles Z Krasznai**, Bridgeport, CT  
(US)

(73) **Assignee:** **Conair Corporation**, Stamford, CT  
(US)

(\*\*) **Term:** **14 Years**

(21) **Appl. No.:** **29/355,652**

(22) **Filed:** **Feb. 11, 2010**

(51) **LOC (9) Cl.** ..... **07-02**

(52) **U.S. Cl.** ..... **D7/412; D7/391; D7/384**

(58) **Field of Classification Search** ..... D7/305-311,  
D7/317-318, 376-386, 391, 412-415, 665;  
99/348, 509-511; 241/30-37.5, 101.01-101.2,  
241/166-169.1, 285.1-285.3, 291, 292.1;  
366/64-67, 98, 142, 197-211, 241-254,  
366/279-292, 306, 341-347

See application file for complete search history.

(56) **References Cited**

**U.S. PATENT DOCUMENTS**

4,111,372 A \* 9/1978 Hicks et al. .... 241/37.5  
4,199,268 A \* 4/1980 Parzych ..... 366/306  
D256,087 S \* 7/1980 Minami ..... D7/384

D258,109 S \* 2/1981 Fukumoto et al. .... D7/384  
4,371,118 A \* 2/1983 Sontheimer et al. .... 241/30  
D287,327 S \* 12/1986 Cavalli ..... D7/384  
D298,204 S \* 10/1988 Mikami ..... D7/384  
D310,153 S \* 8/1990 Kaiser ..... D7/412  
D431,959 S \* 10/2000 Lallemand ..... D7/384  
D488,344 S \* 4/2004 Seum et al. .... D7/384  
D547,601 S \* 7/2007 Ting et al. .... D7/384  
D619,850 S \* 7/2010 Krasznai ..... D7/412

\* cited by examiner

*Primary Examiner* — Ricky Pham

(74) *Attorney, Agent, or Firm* — Lawrence Cruz

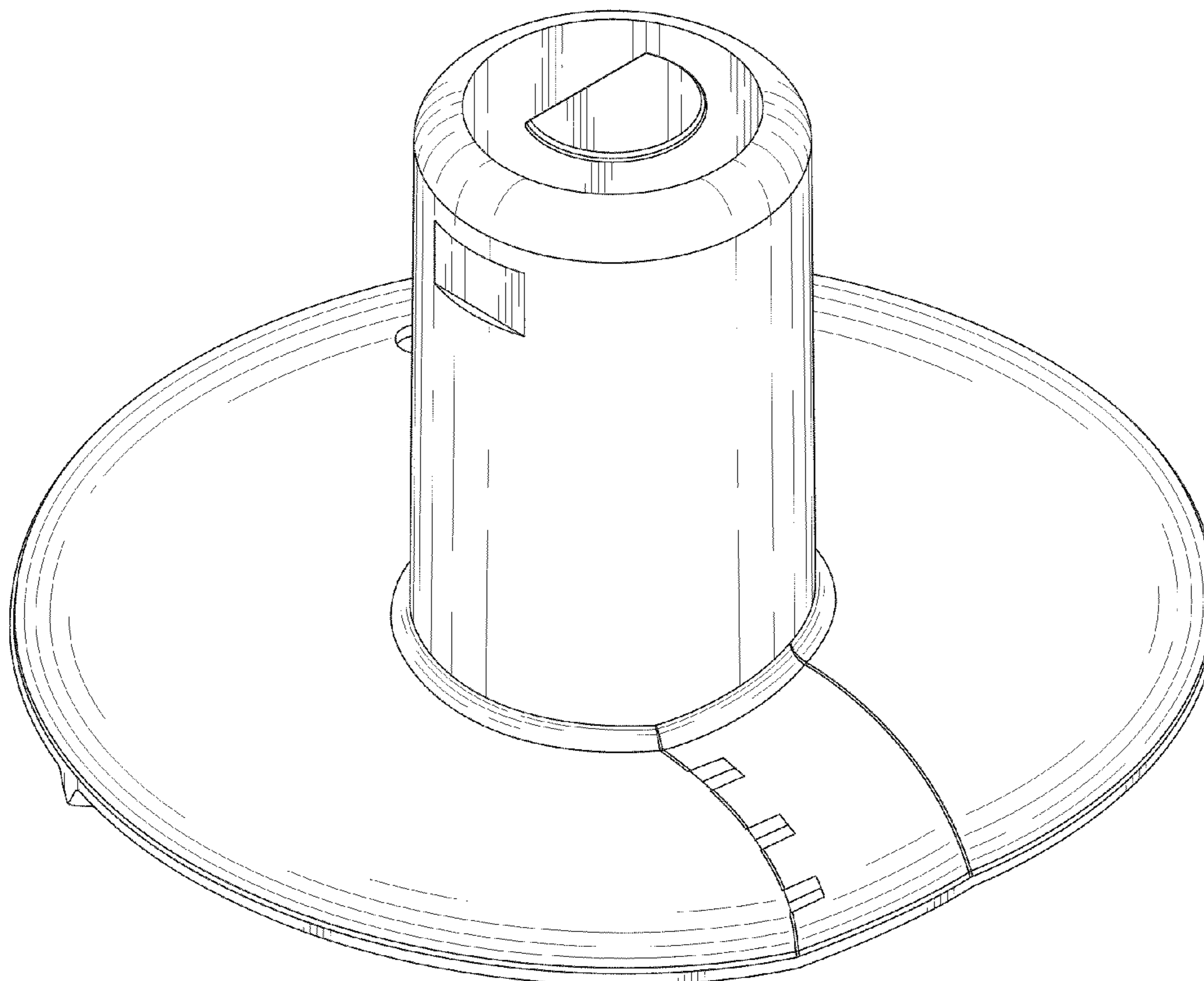
(57) **CLAIM**

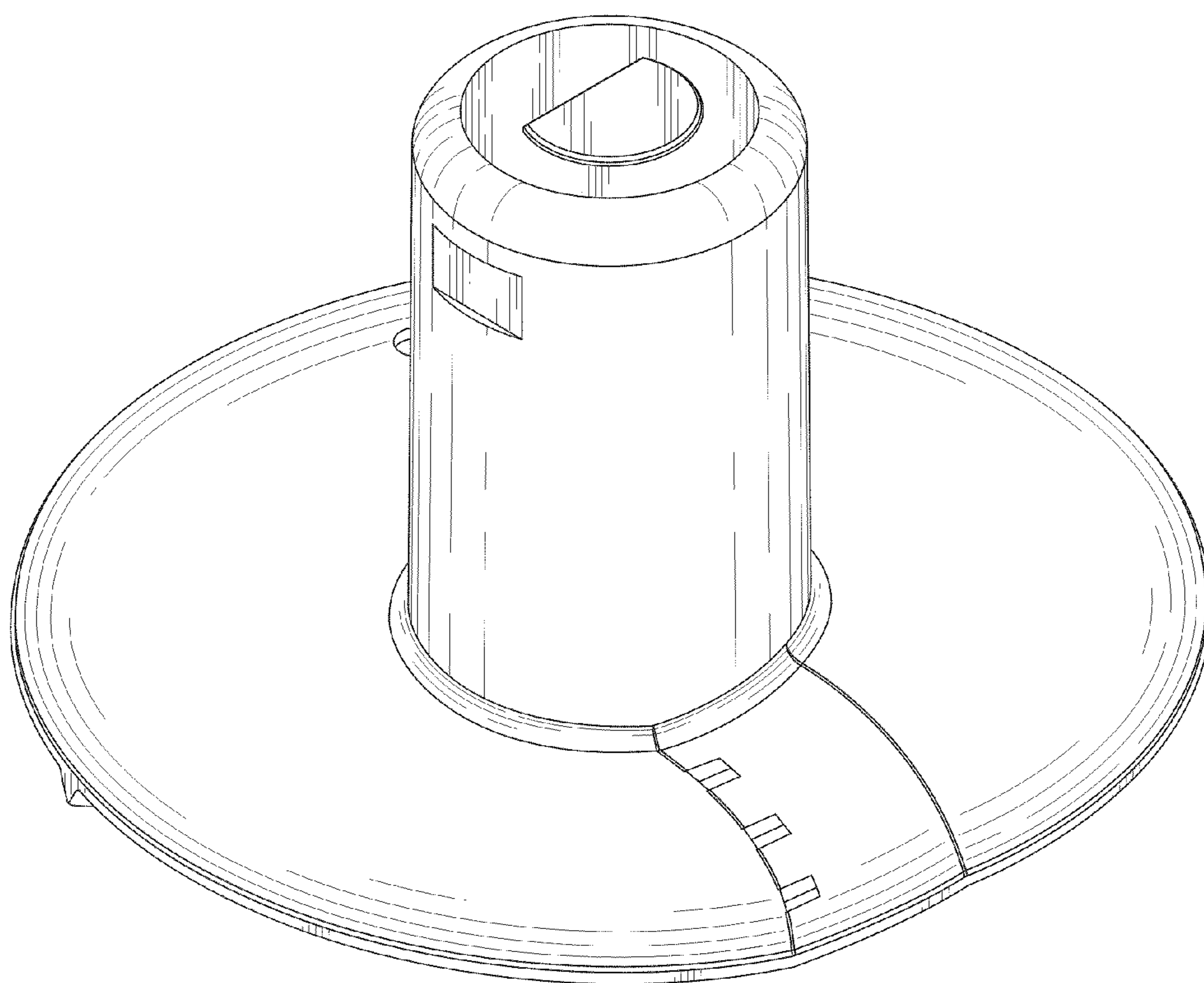
The ornamental design for a food processor attachment, as shown and described.

**DESCRIPTION**

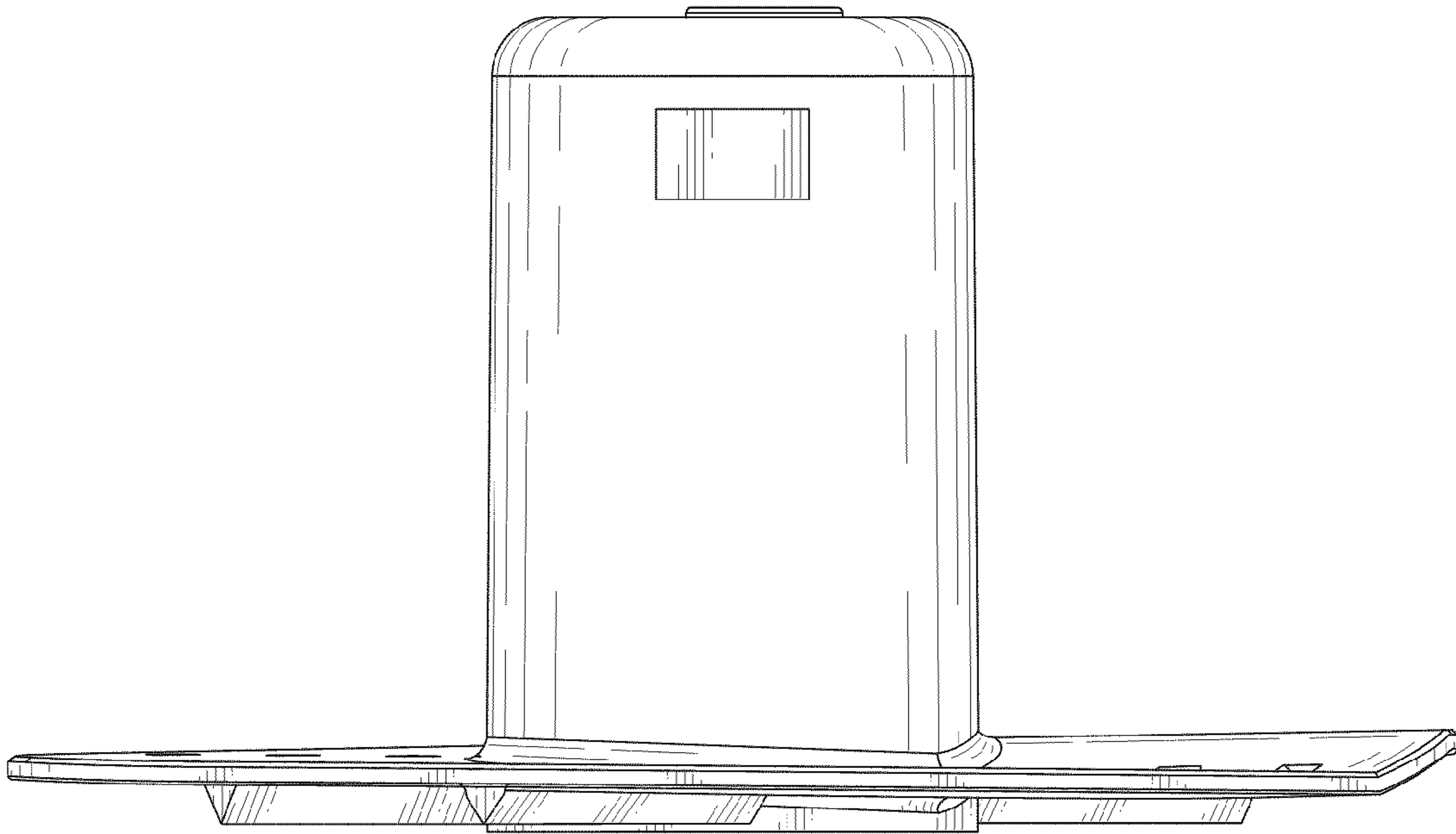
FIG. 1 is a perspective view of a food processor attachment showing a new design;  
FIG. 2 is front elevational view thereof;  
FIG. 3 is a rear elevational view thereof;  
FIG. 4 is a right side elevational view thereof;  
FIG. 5 is a left side elevational view thereof;  
FIG. 6 is a top plan view thereof; and,  
FIG. 7 is a bottom plan view thereof.

**1 Claim, 5 Drawing Sheets**

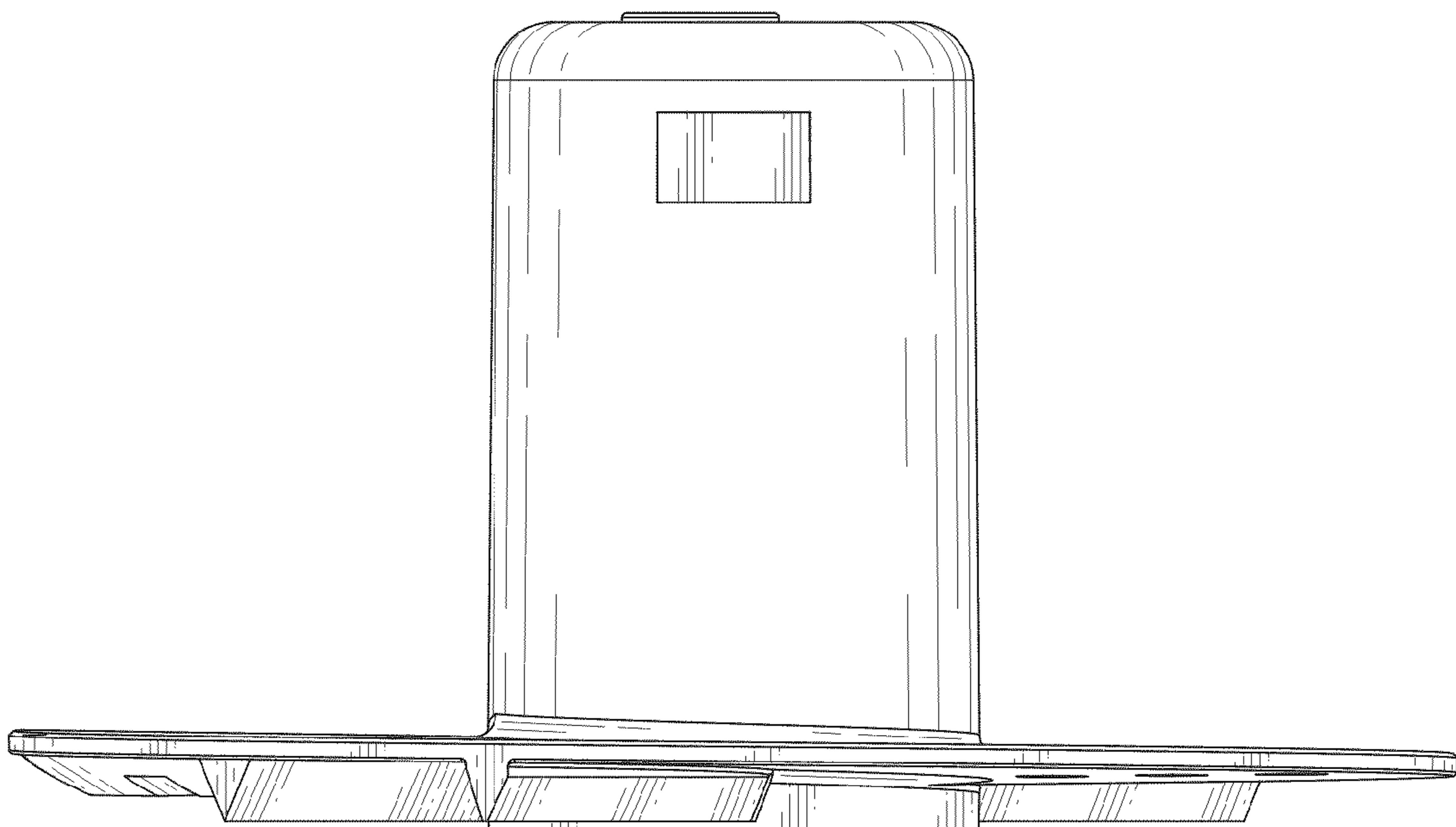




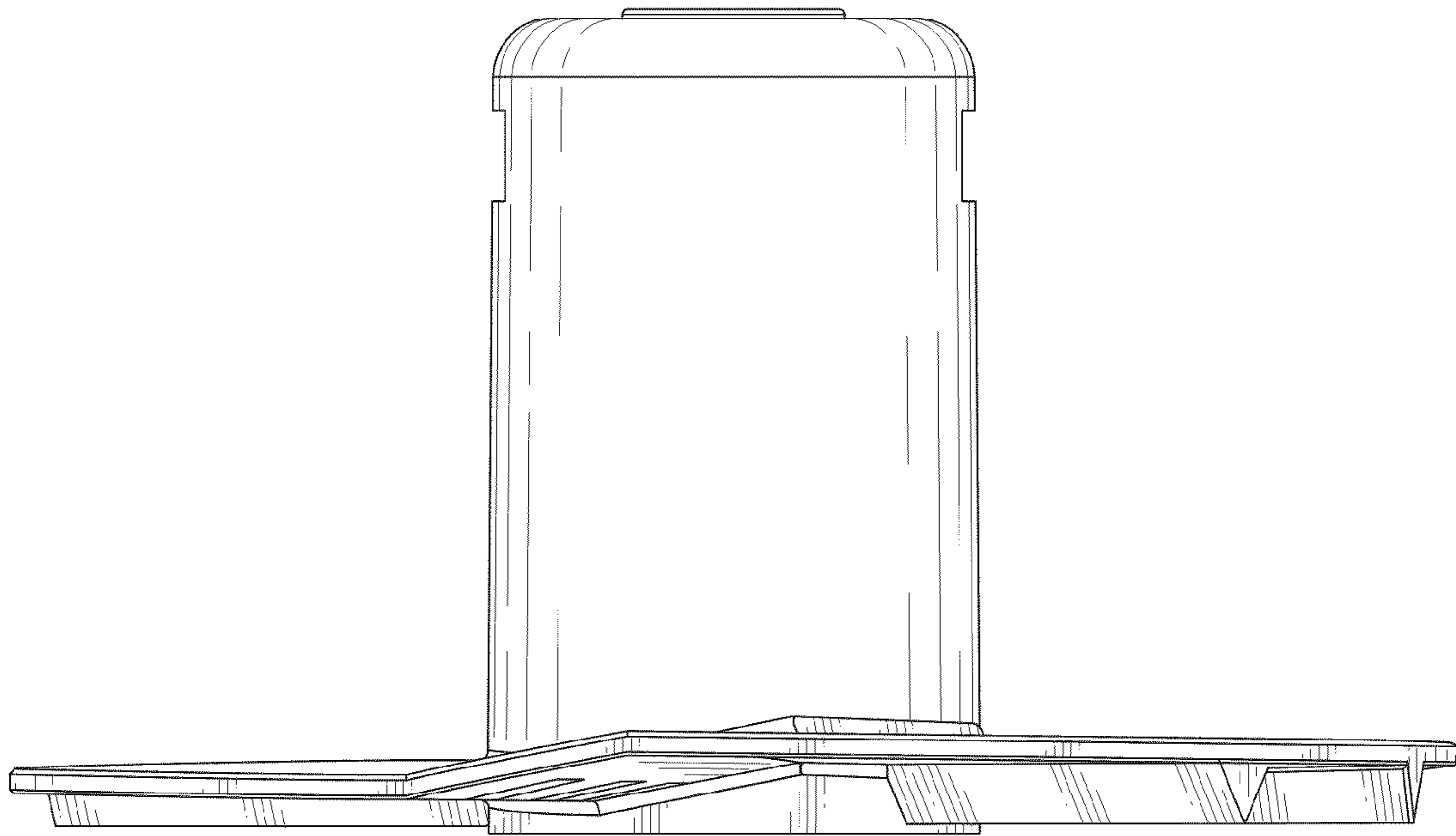
**FIG. 1**



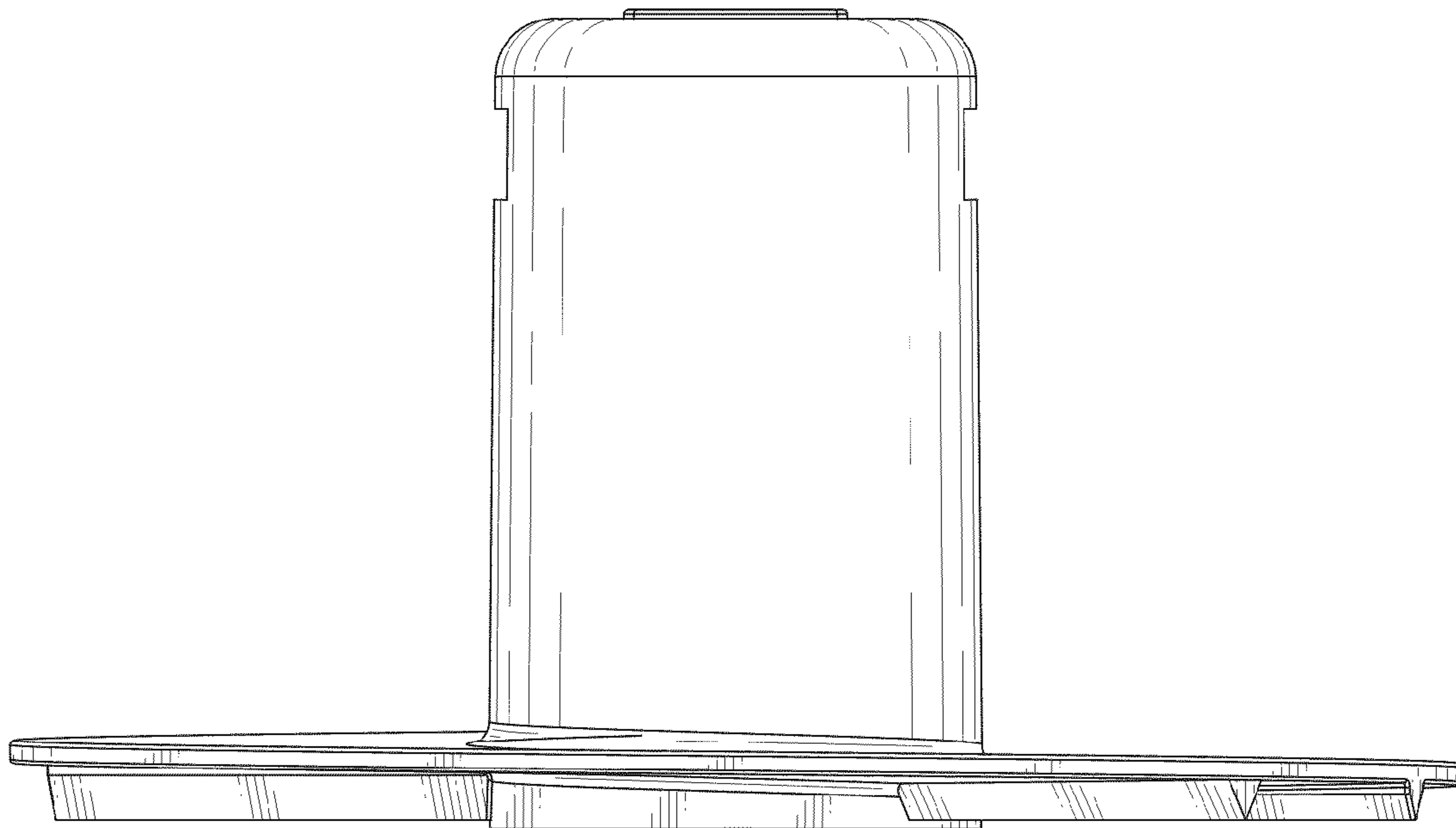
**FIG. 2**



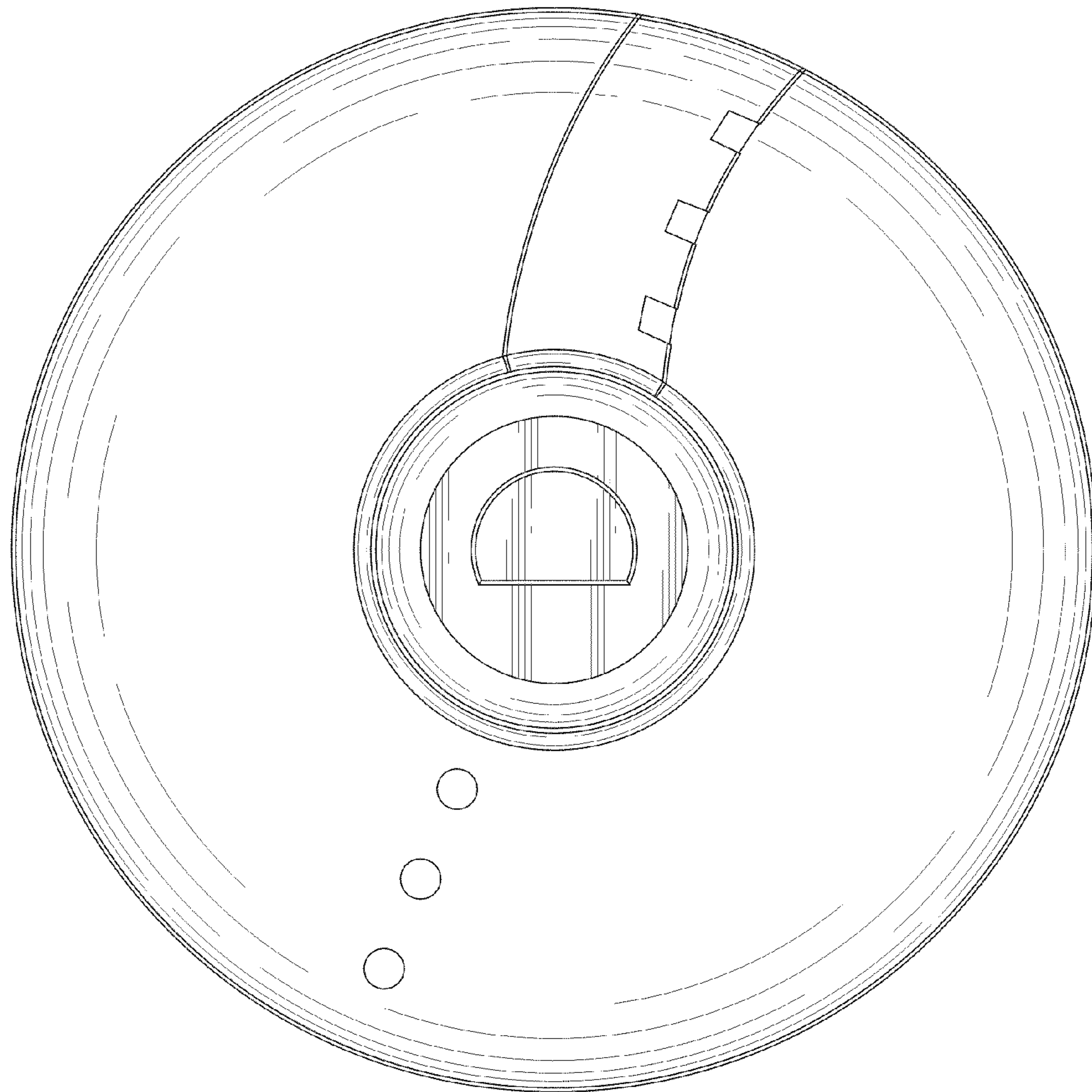
**FIG. 3**



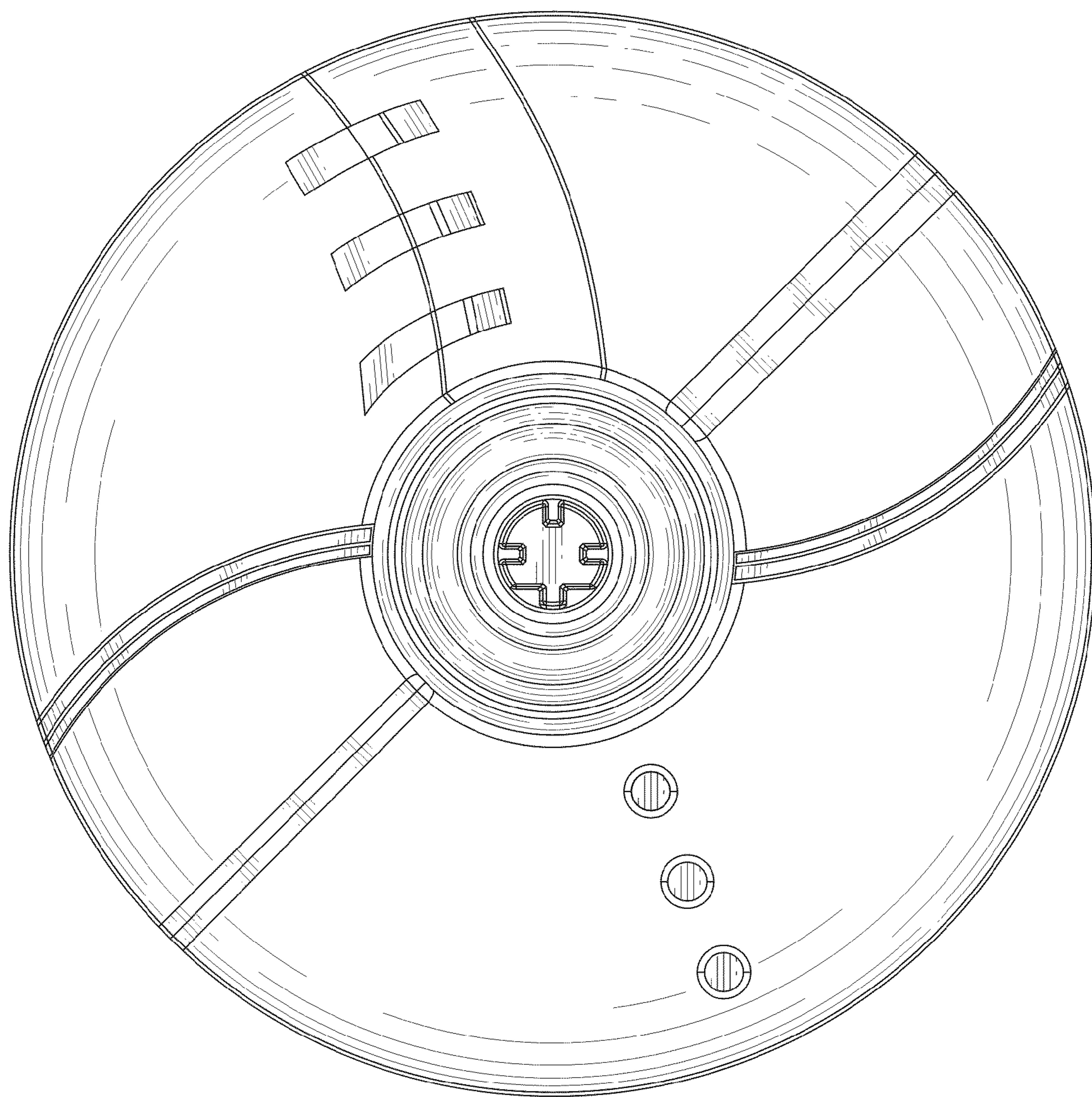
**FIG. 4**



**FIG. 5**



**FIG. 6**



**FIG. 7**