



US00D635824S

(12) **United States Design Patent**
Shin

(10) **Patent No.:** **US D635,824 S**

(45) **Date of Patent:** **** Apr. 12, 2011**

(54) **METAL RIBBON BRACKET ASSY FOR TAP HANDLE**

(76) Inventor: **Sang H Shin**, Seattle, WA (US)

(**) Term: **14 Years**

(21) Appl. No.: **29/370,493**

(22) Filed: **Jul. 26, 2010**

(51) **LOC (9) Cl.** **07-99**

(52) **U.S. Cl.** **D7/398; D7/397**

(58) **Field of Classification Search** **D7/398,**
D7/397, 387; D8/376, 354, 396, 321, 315;
361/679.5; 248/313; 280/749

See application file for complete search history.

7,650,948	B2 *	1/2010	Rousseau et al.	169/51
7,703,797	B2 *	4/2010	Wright	280/728.2
7,740,220	B2 *	6/2010	Jeanveau	248/534
D622,585	S *	8/2010	Walker, Jr.	D8/396
D626,374	S *	11/2010	Valiyee et al.	D7/398
D626,375	S *	11/2010	Valiyee et al.	D7/398
7,866,611	B2 *	1/2011	Hollender et al.	248/67.7

* cited by examiner

Primary Examiner — Marianne Pandozzi

(57) **CLAIM**

The ornamental design for a metal ribbon bracket assy for tap handle, as shown and described.

DESCRIPTION

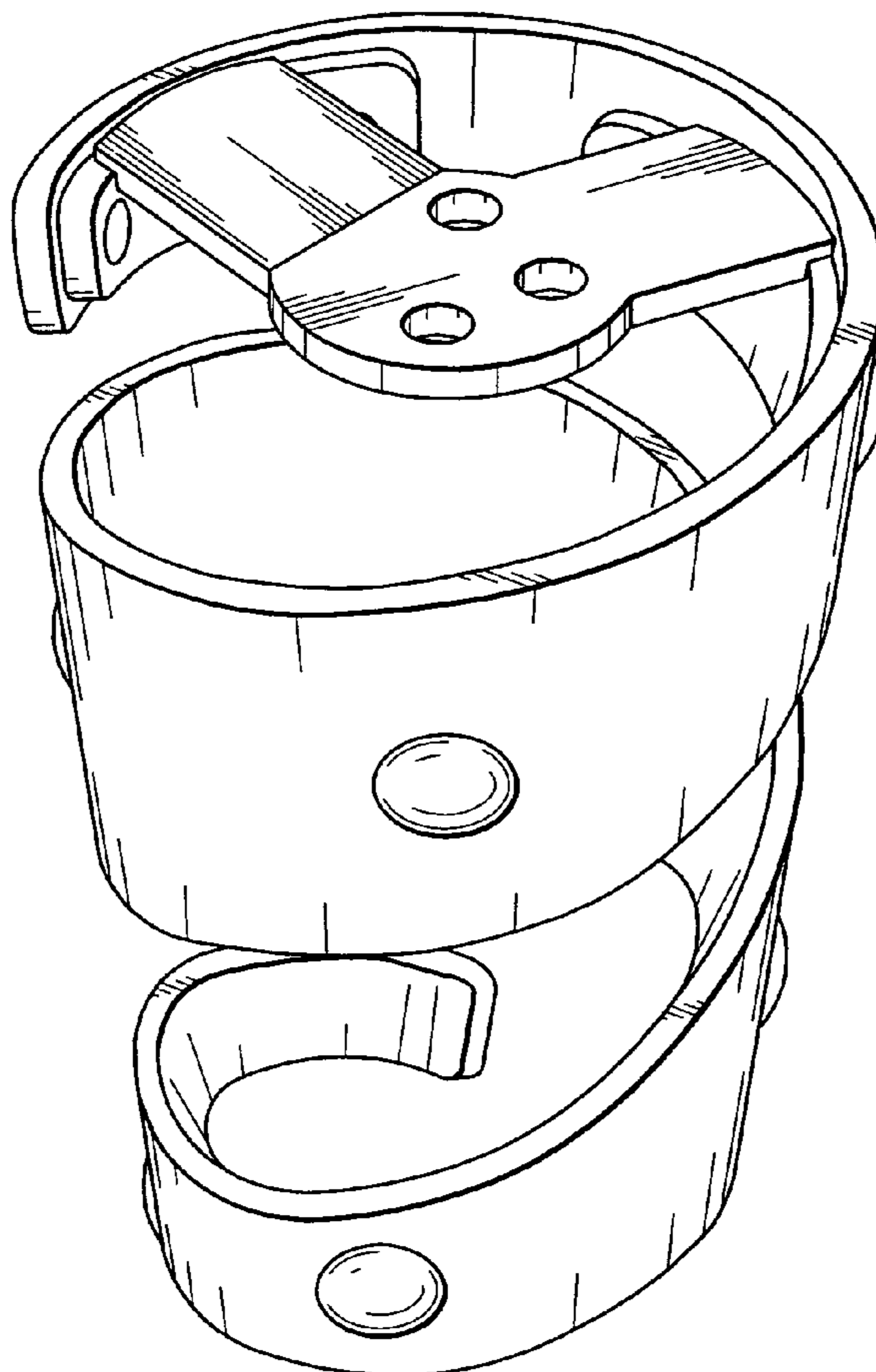
FIG. 1 is a rear perspective view of the metal ribbon bracket assy for tap handle showing my new design; FIG. 2 is a rear view thereof that shows how the bracket is attached to the metal ribbon; FIG. 3 is a front view thereof; FIG. 4 is a right side view thereof; FIG. 5 is a left side view thereof; FIG. 6 is a top view thereof; and, FIG. 7 is a bottom view thereof.

1 Claim, 4 Drawing Sheets

(56) **References Cited**

U.S. PATENT DOCUMENTS

5,524,327	A *	6/1996	Mickel et al.	24/115 A
D477,770	S *	7/2003	Baker et al.	D8/373
D503,870	S *	4/2005	Marks et al.	D7/396.1
7,232,099	B1 *	6/2007	Wilcox	248/228.1
D562,068	S *	2/2008	Albini et al.	D7/398
7,503,535	B2 *	3/2009	Ziaylek	248/313
D591,324	S *	4/2009	Sukhov	D16/242
D594,318	S *	6/2009	Fell et al.	D8/396
7,597,472	B2 *	10/2009	Hang et al.	374/208



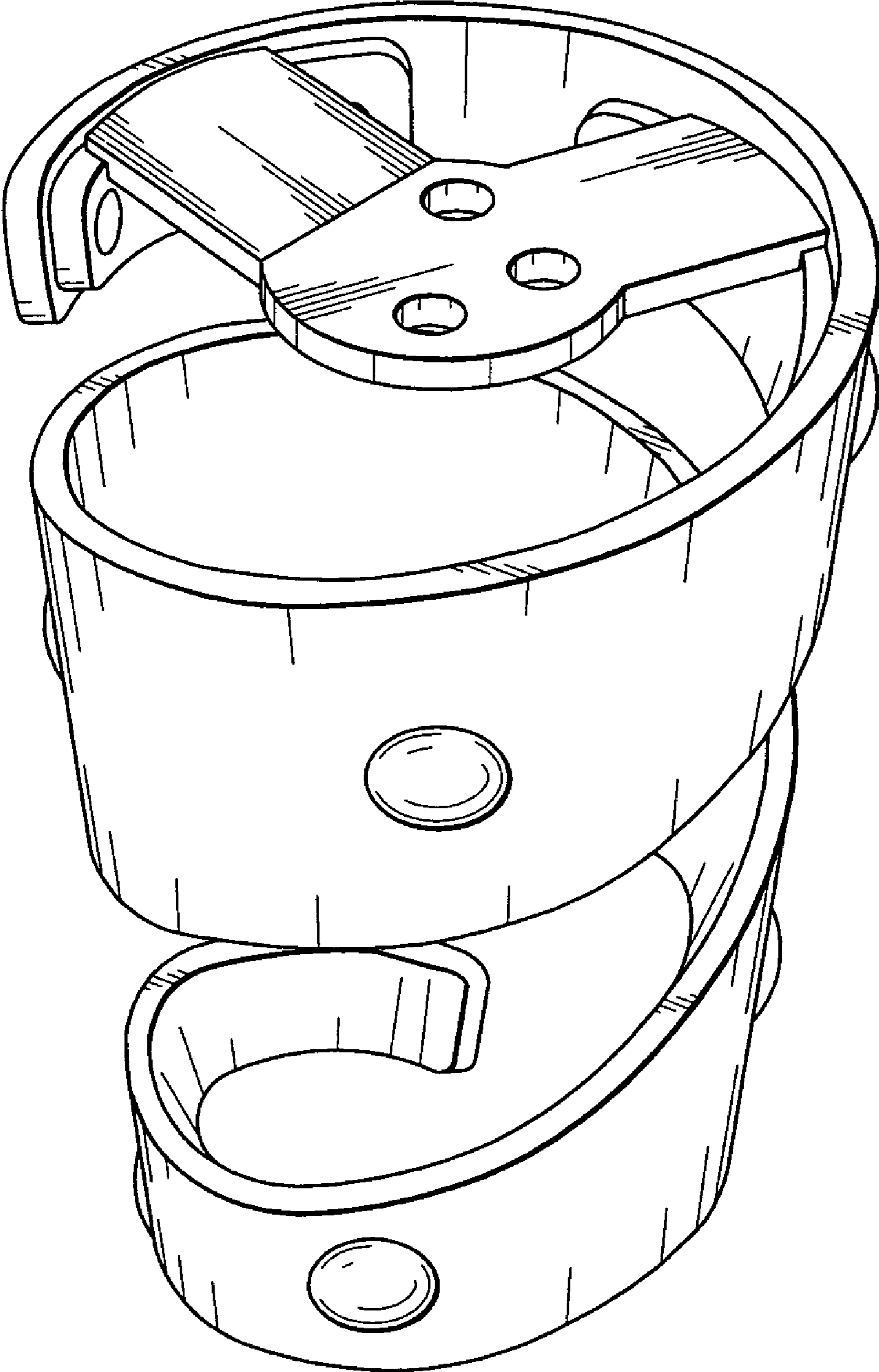


FIG. 1

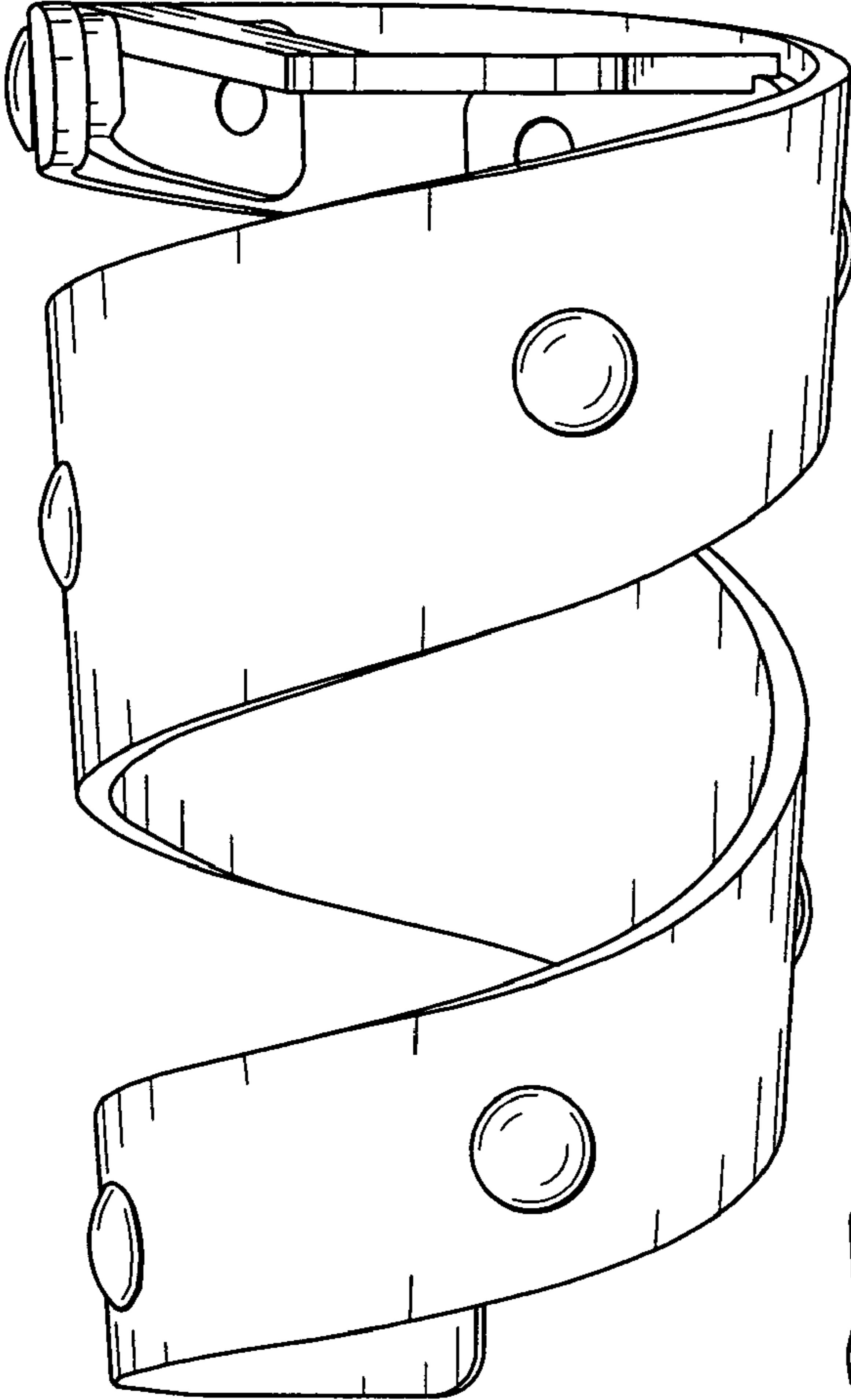


FIG. 2

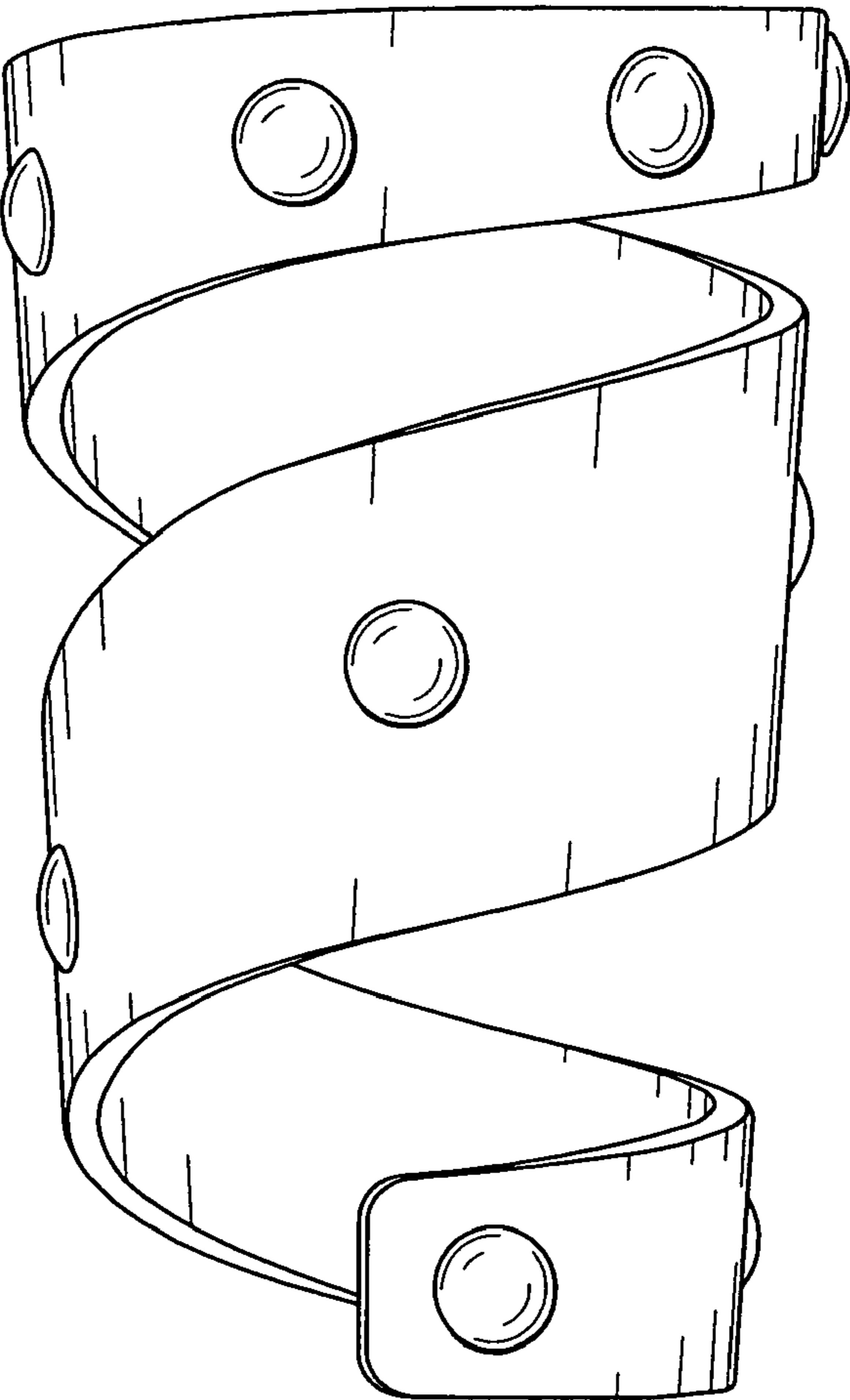


FIG. 3

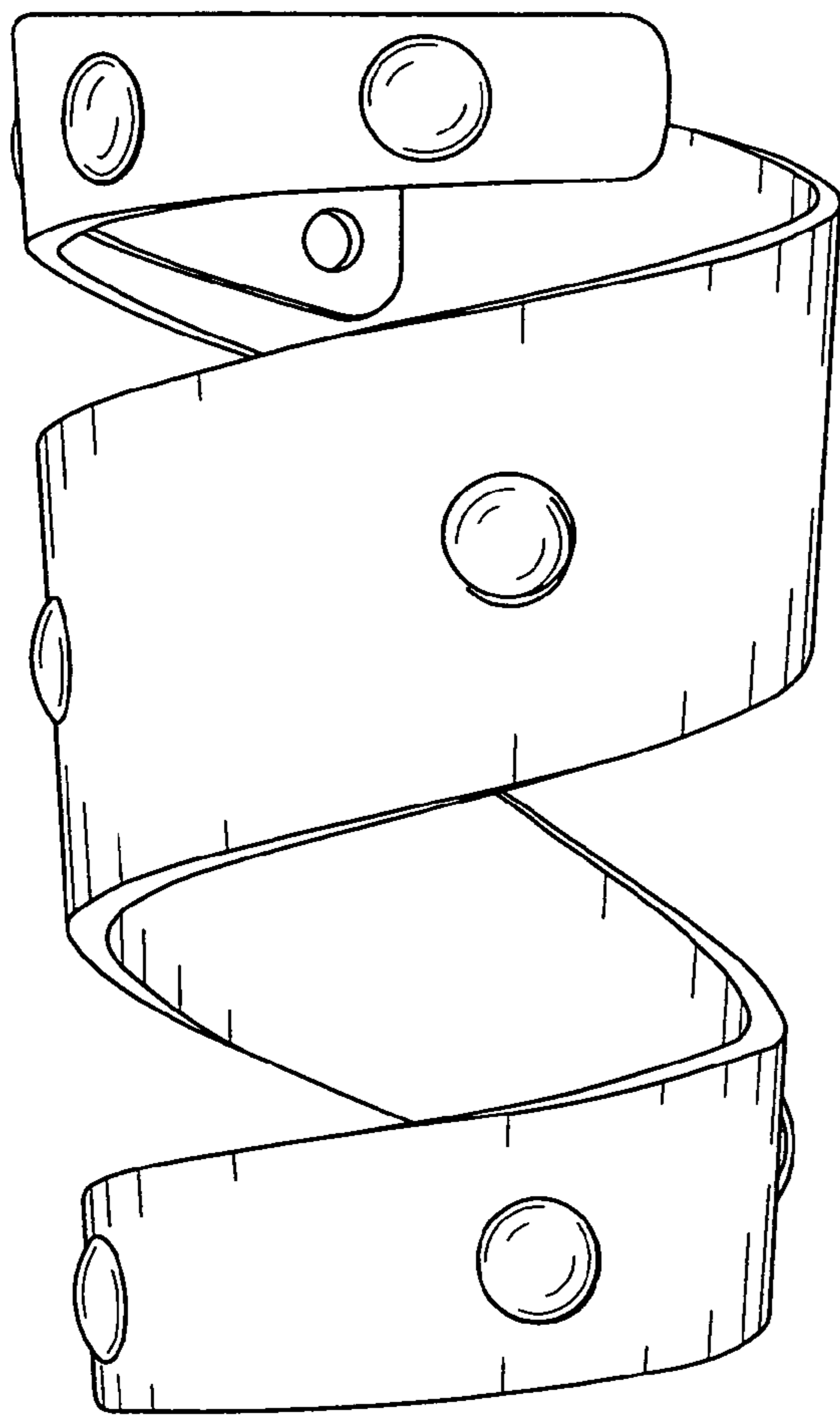


FIG. 4

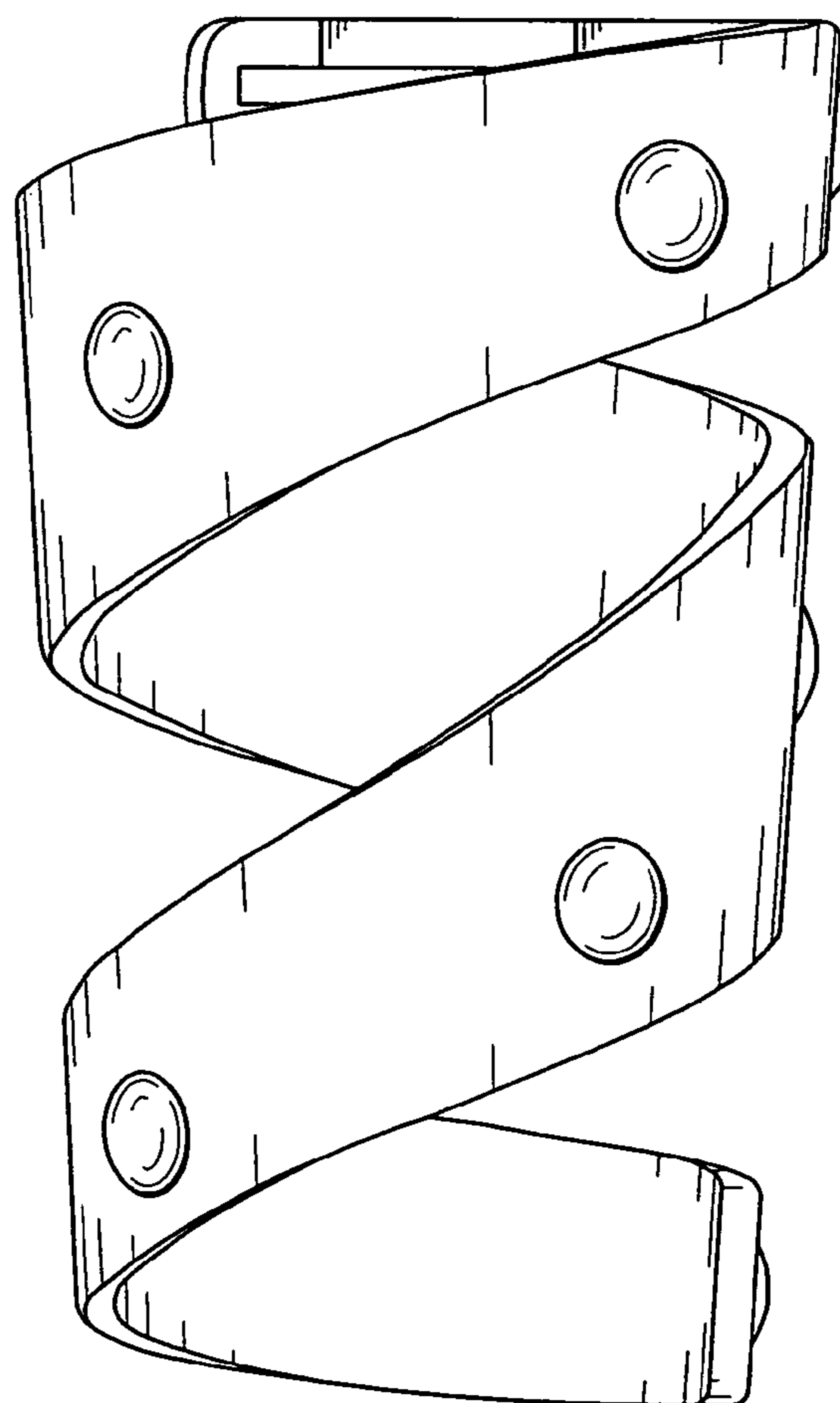


FIG. 5

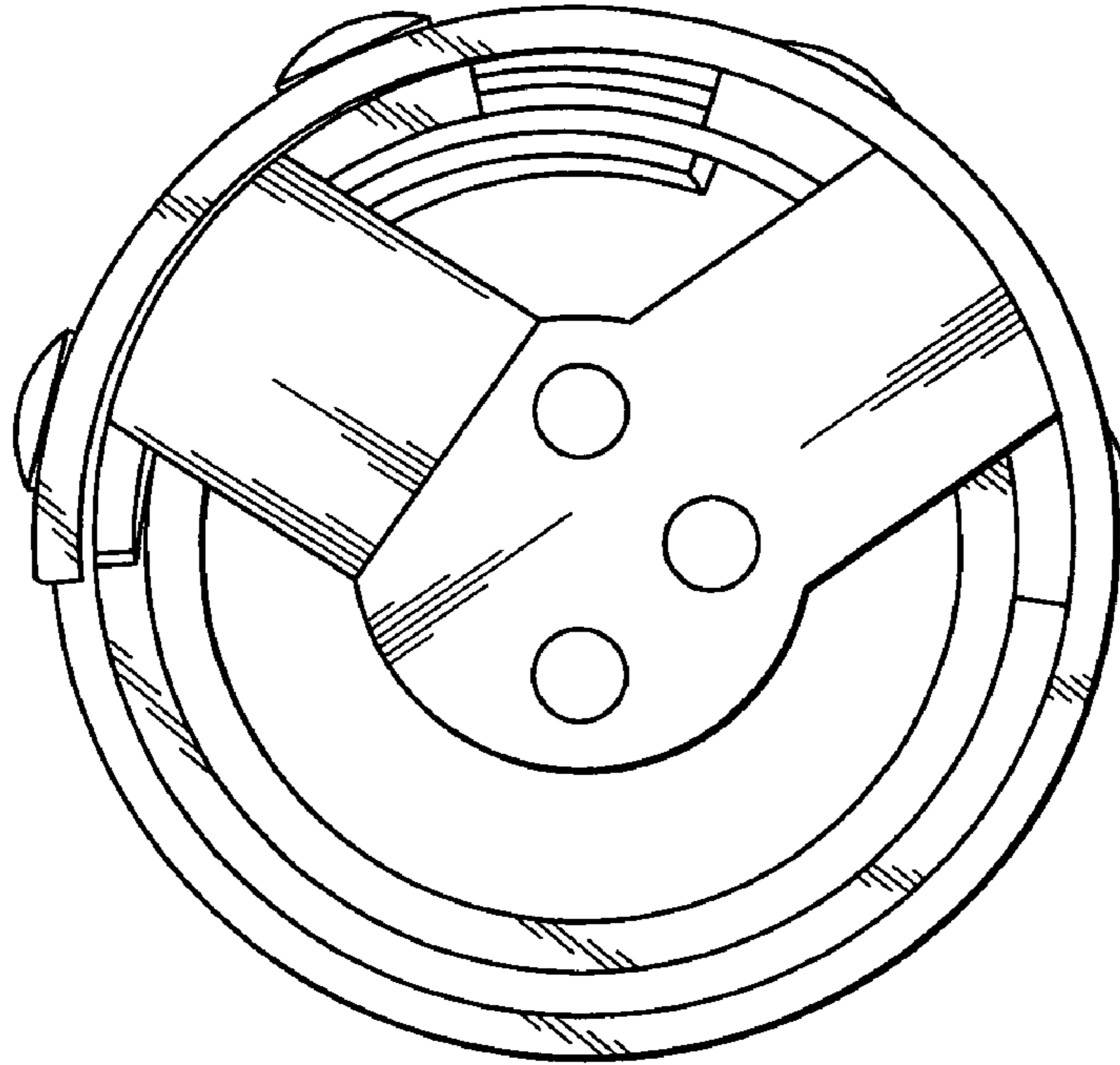


FIG. 6

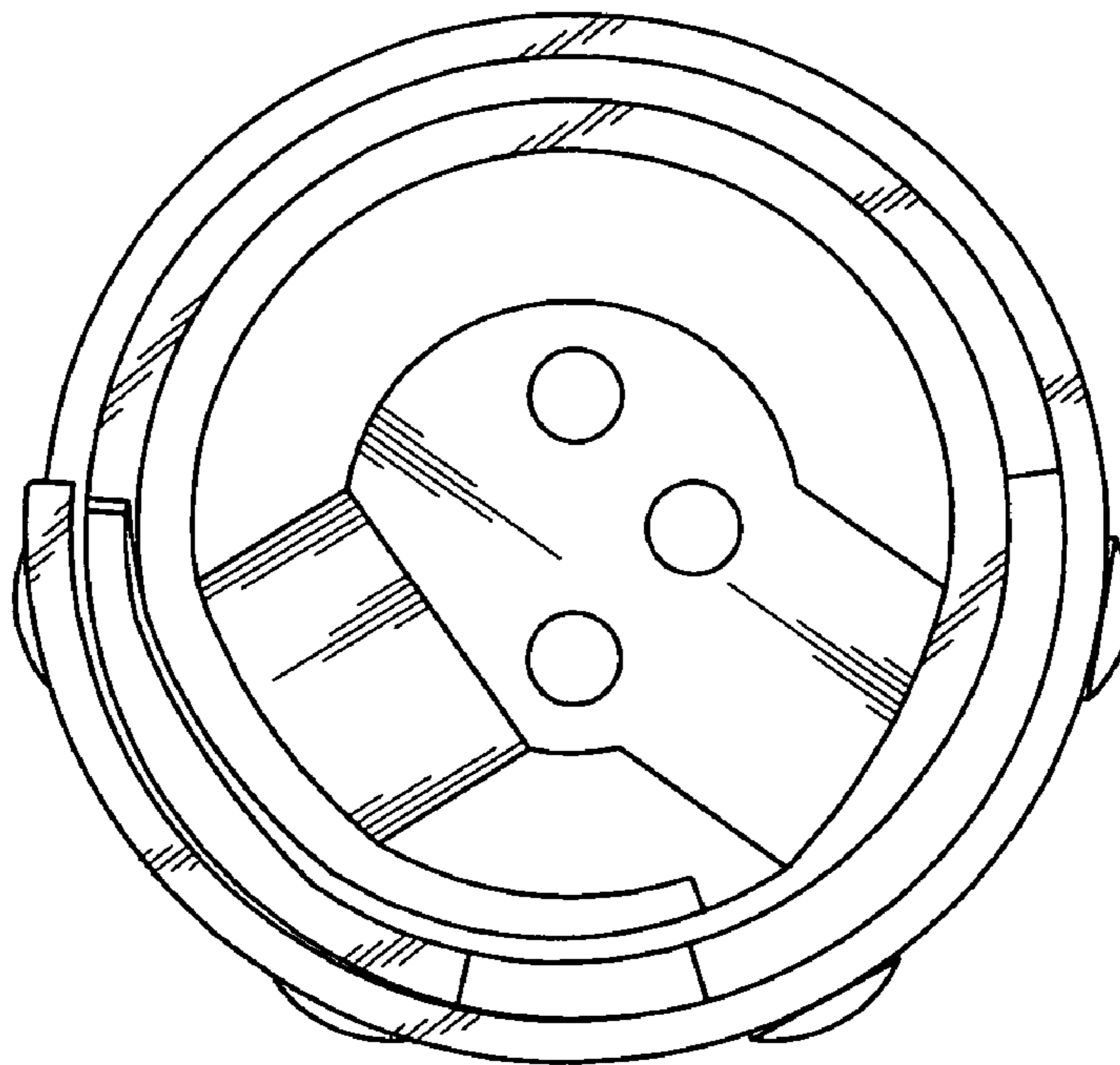


FIG. 7