



US00D635823S

(12) **United States Design Patent**
Mauffette

(10) **Patent No.:** **US D635,823 S**

(45) **Date of Patent:** **** Apr. 12, 2011**

(54) **WINE AERATOR DEVICE**

(75) Inventor: **Claude Mauffette**, Montreal (CA)

(73) Assignee: **Le Creuset SAS**, Fresnoy le Grand (FR)

(**) Term: **14 Years**

(21) Appl. No.: **29/357,863**

(22) Filed: **Mar. 18, 2010**

(30) **Foreign Application Priority Data**

Sep. 18, 2009 (EM) 001166581-0001

(51) **LOC (9) Cl.** **07-99**

(52) **U.S. Cl.** **D7/397; D7/368**

(58) **Field of Classification Search** D7/700,
D7/400, 396.2, 397, 398, 213, 368; D9/440;
D23/213; 222/129.1–129.4

See application file for complete search history.

(56) **References Cited**

U.S. PATENT DOCUMENTS

D334,120 S *	3/1993	Faught	D7/700
D362,998 S *	10/1995	Muller et al.	D7/398
7,070,122 B2 *	7/2006	Burcham et al.	239/231
D533,776 S *	12/2006	Allen et al.	D9/440
D535,559 S *	1/2007	Kehoe	D9/440
D547,116 S *	7/2007	Ranzoni	D7/398

D565,151 S *	3/2008	Brown	D23/213
D604,560 S *	11/2009	Priest	D7/507
D605,465 S *	12/2009	Benton et al.	D7/396.2
D612,659 S *	3/2010	Kehoe	D7/316
D619,431 S *	7/2010	Wax	D7/700
7,748,470 B2 *	7/2010	Ortiz	172/13

* cited by examiner

Primary Examiner — Marianne Pandozzi

(74) *Attorney, Agent, or Firm* — Wood, Herron & Evans, LLP

(57) **CLAIM**

The ornamental design for a wine aerator device, as shown and described.

DESCRIPTION

FIG. 1 is a perspective view of a wine aerator device, showing my new design.

FIG. 2 is a front view thereof, the rear view being identical; FIG. 3 is a right side view thereof, the left side view being identical;

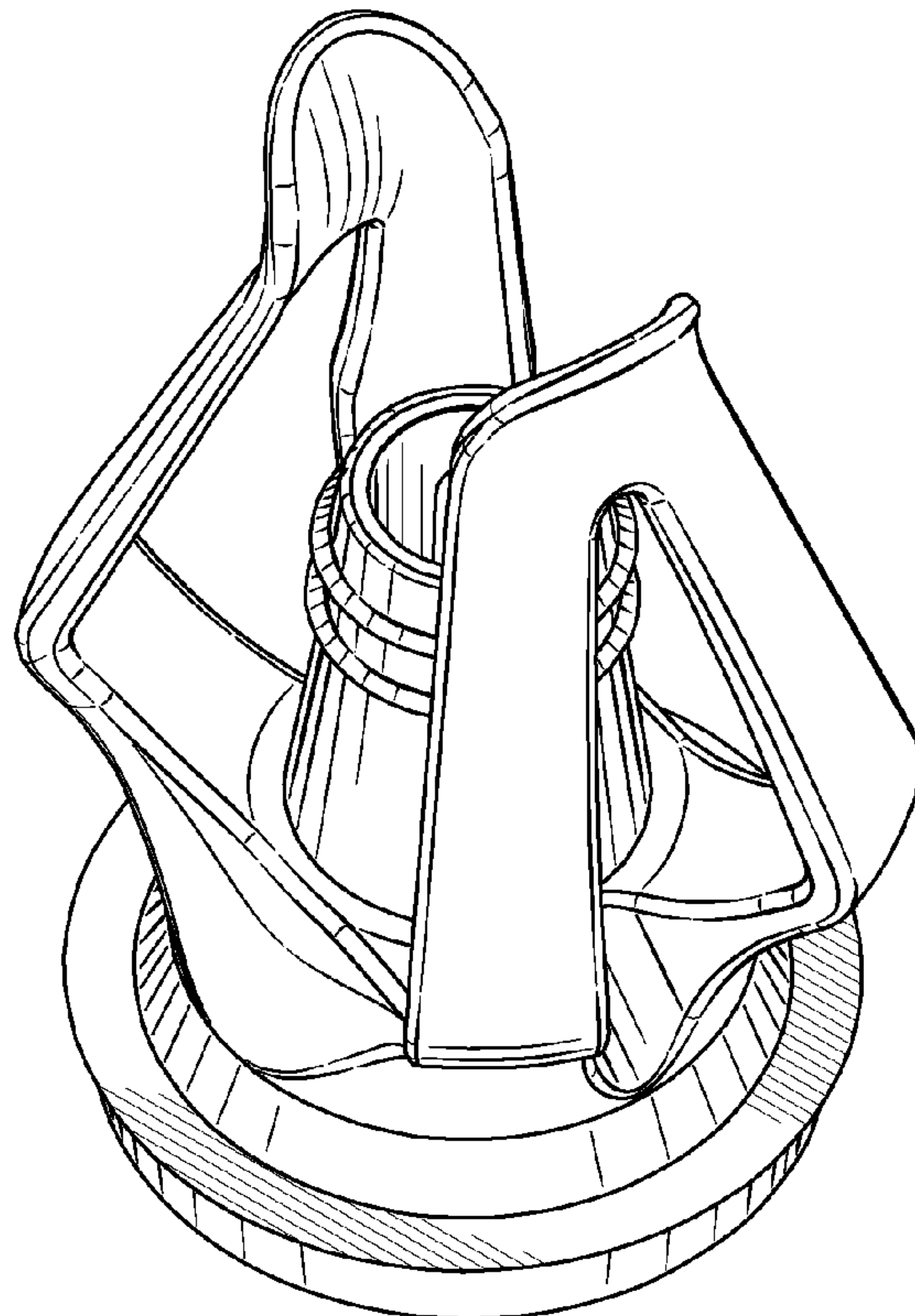
FIG. 4 is a top plan view thereof;

FIG. 5 is a bottom view thereof; and,

FIG. 6 is a cross-sectional view taken along line 6—6 of FIG. 4.

Broken lines in the drawings are included for the purpose of illustration and form no part of the claimed design.

1 Claim, 2 Drawing Sheets



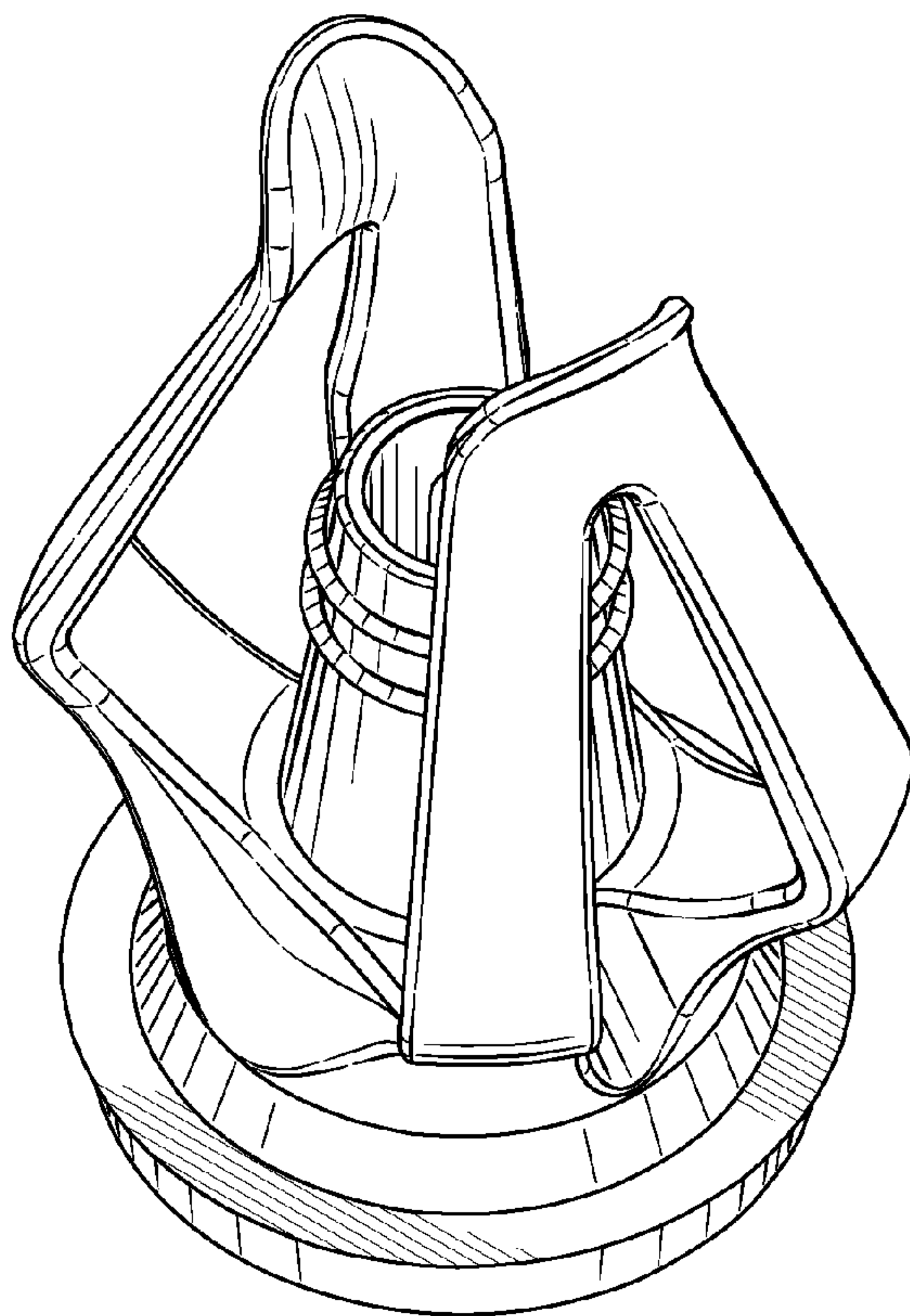


FIG. 1

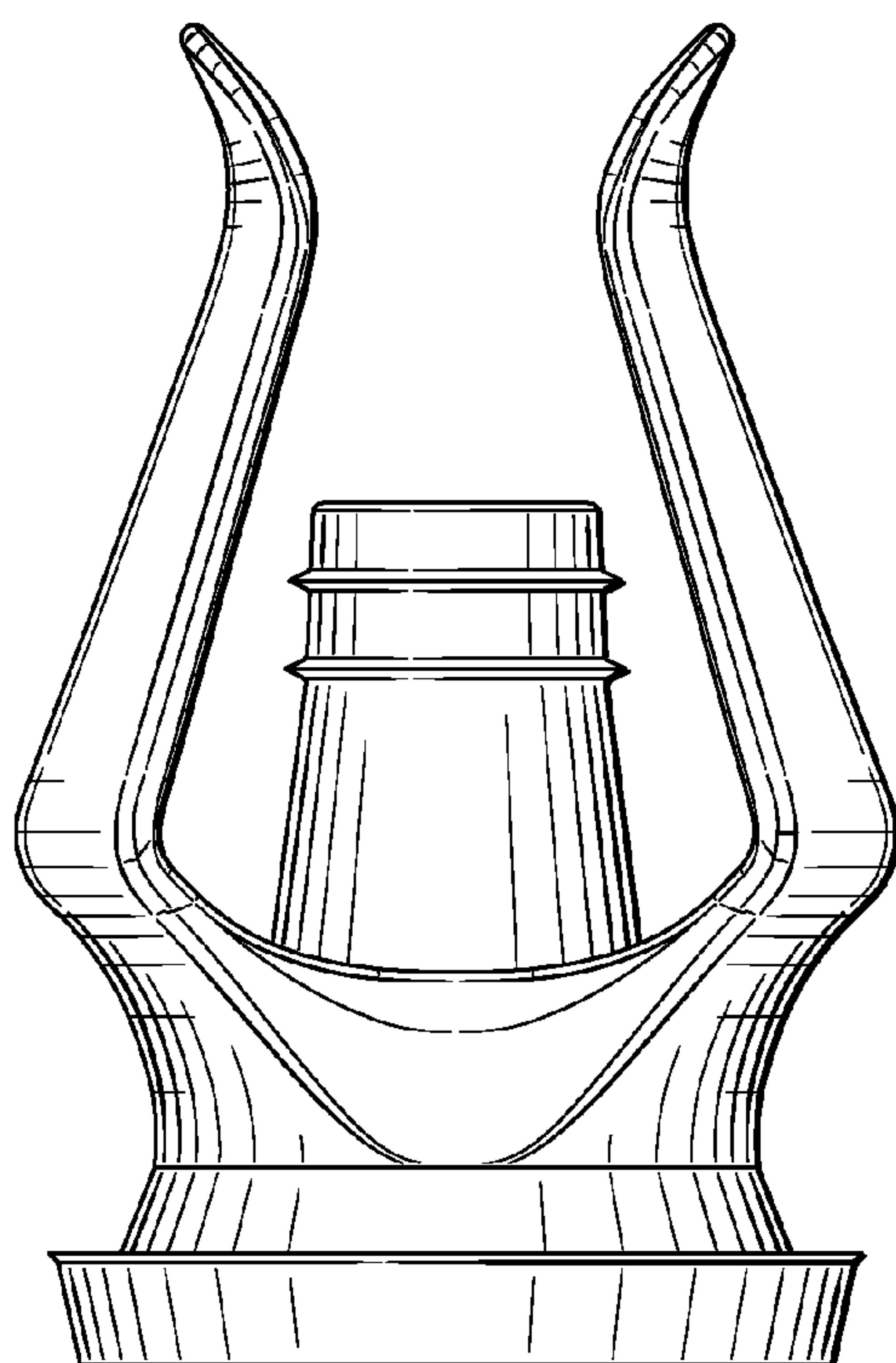


FIG. 2

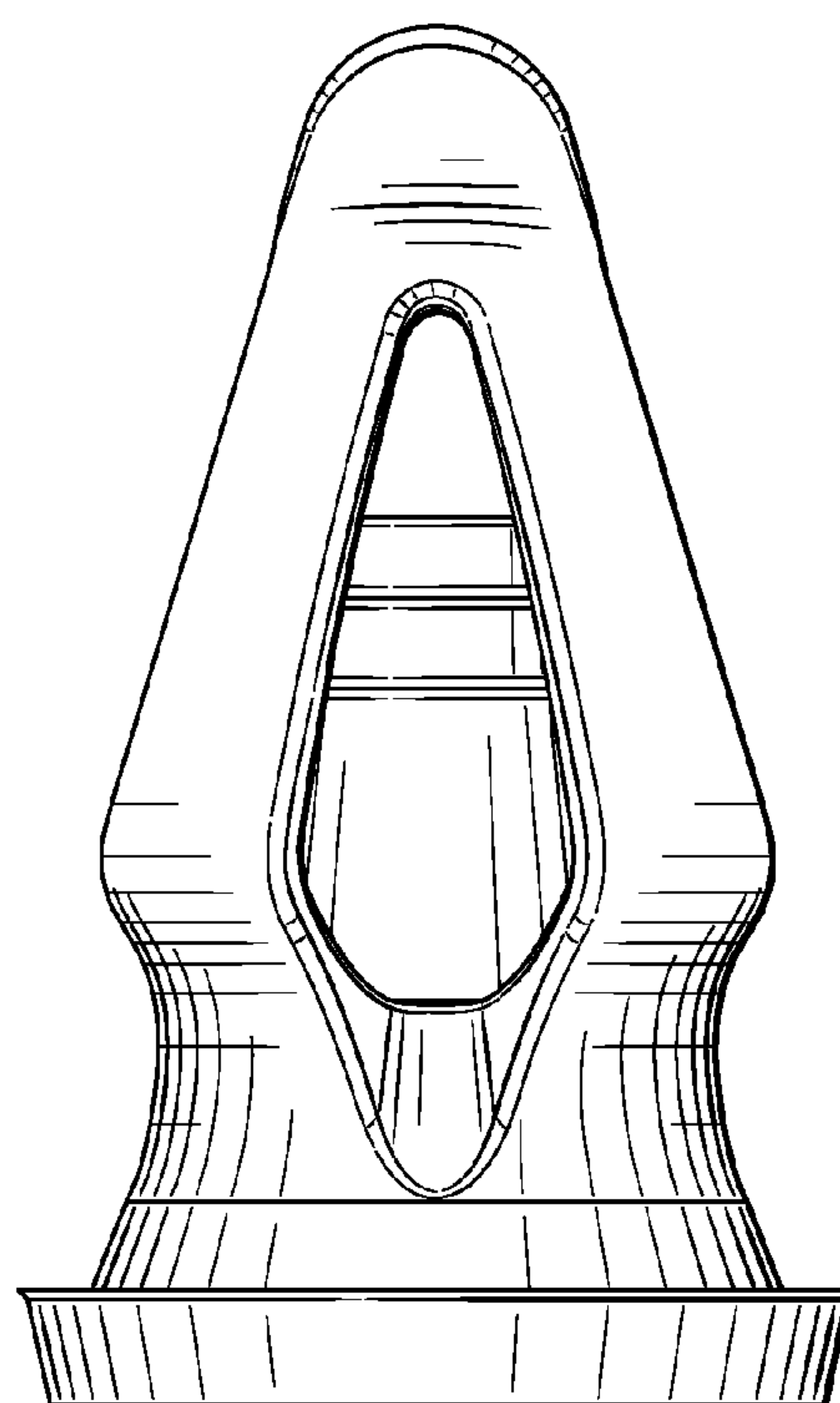


FIG. 3

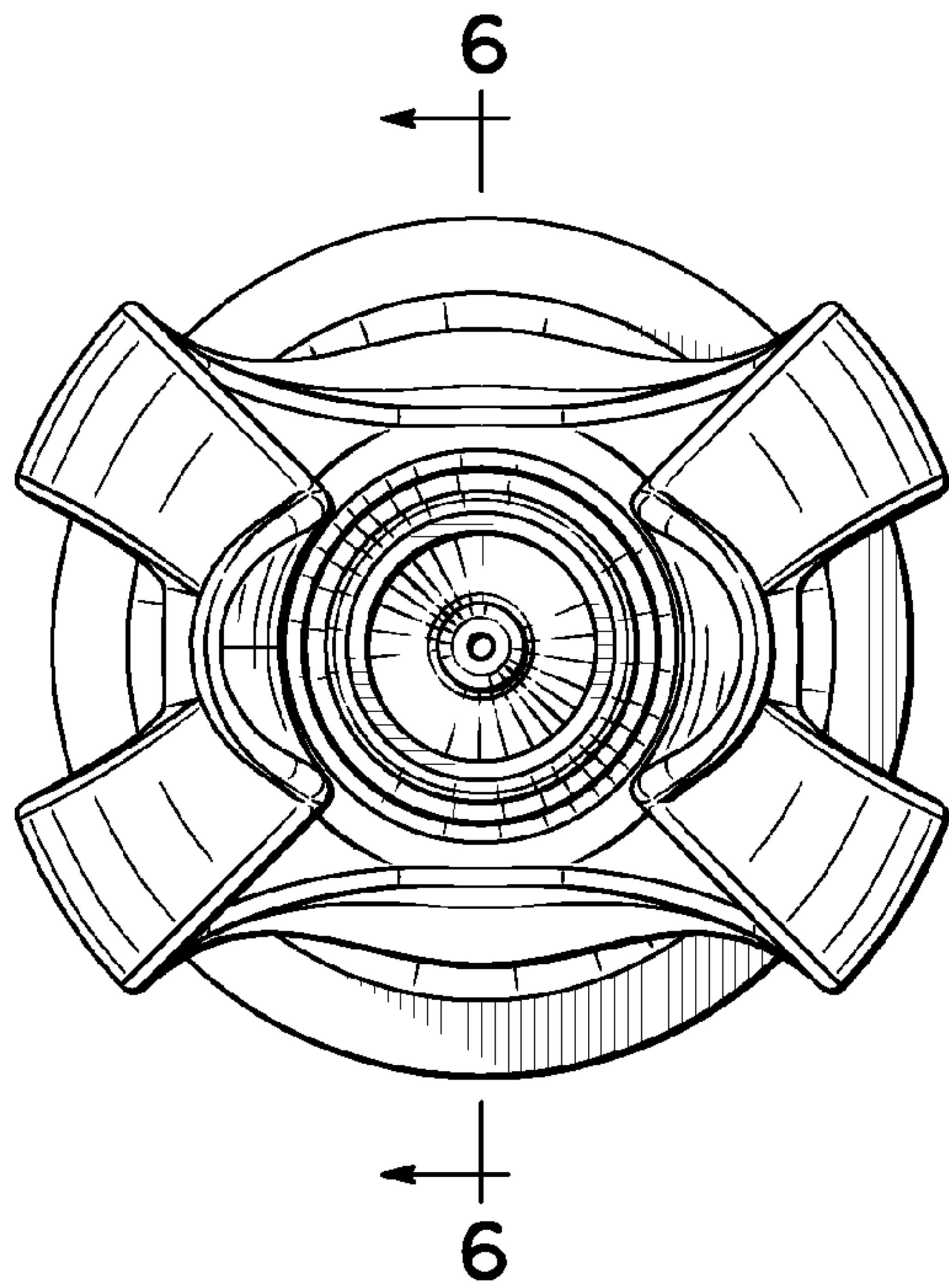


FIG. 4

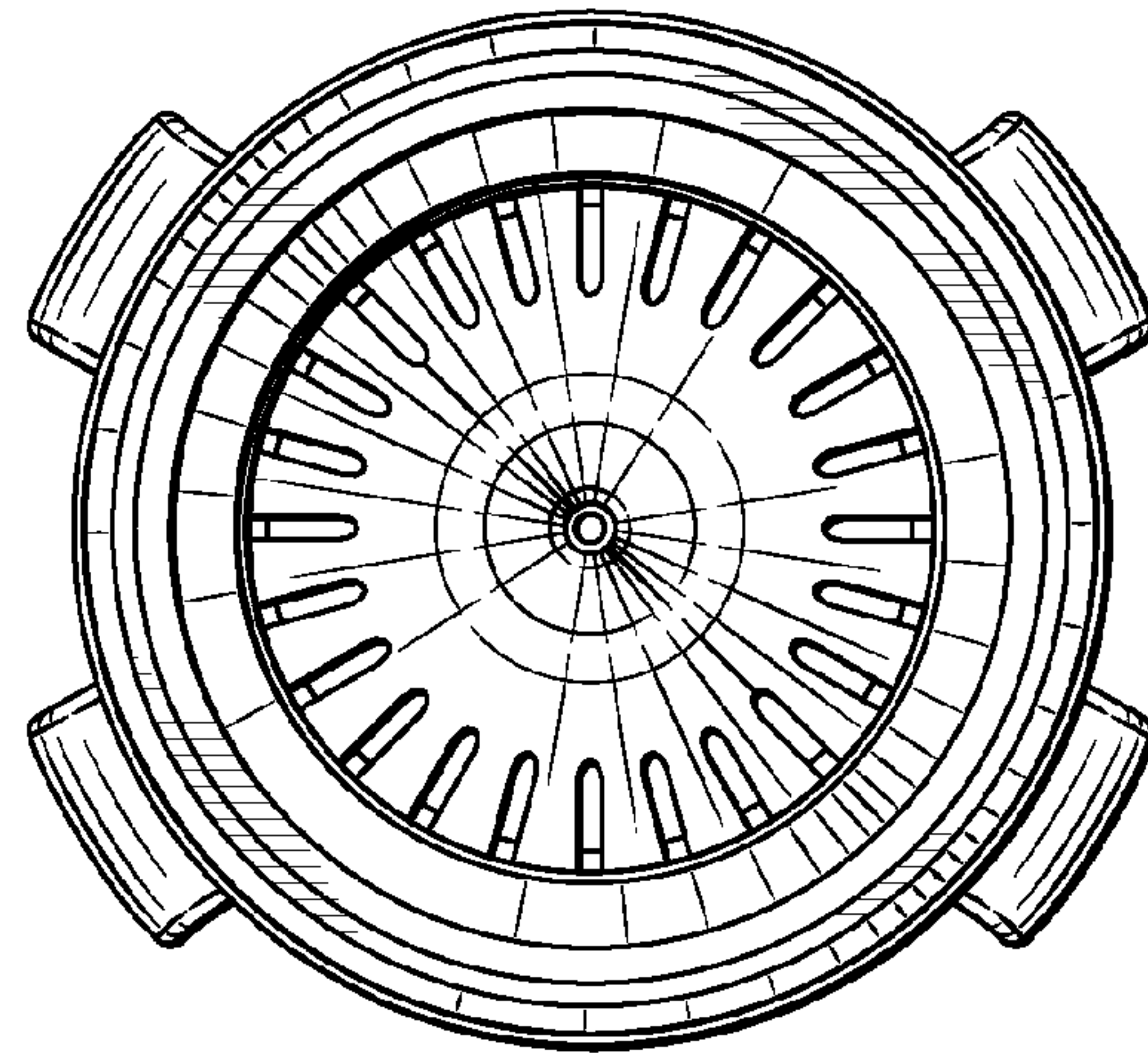


FIG. 5

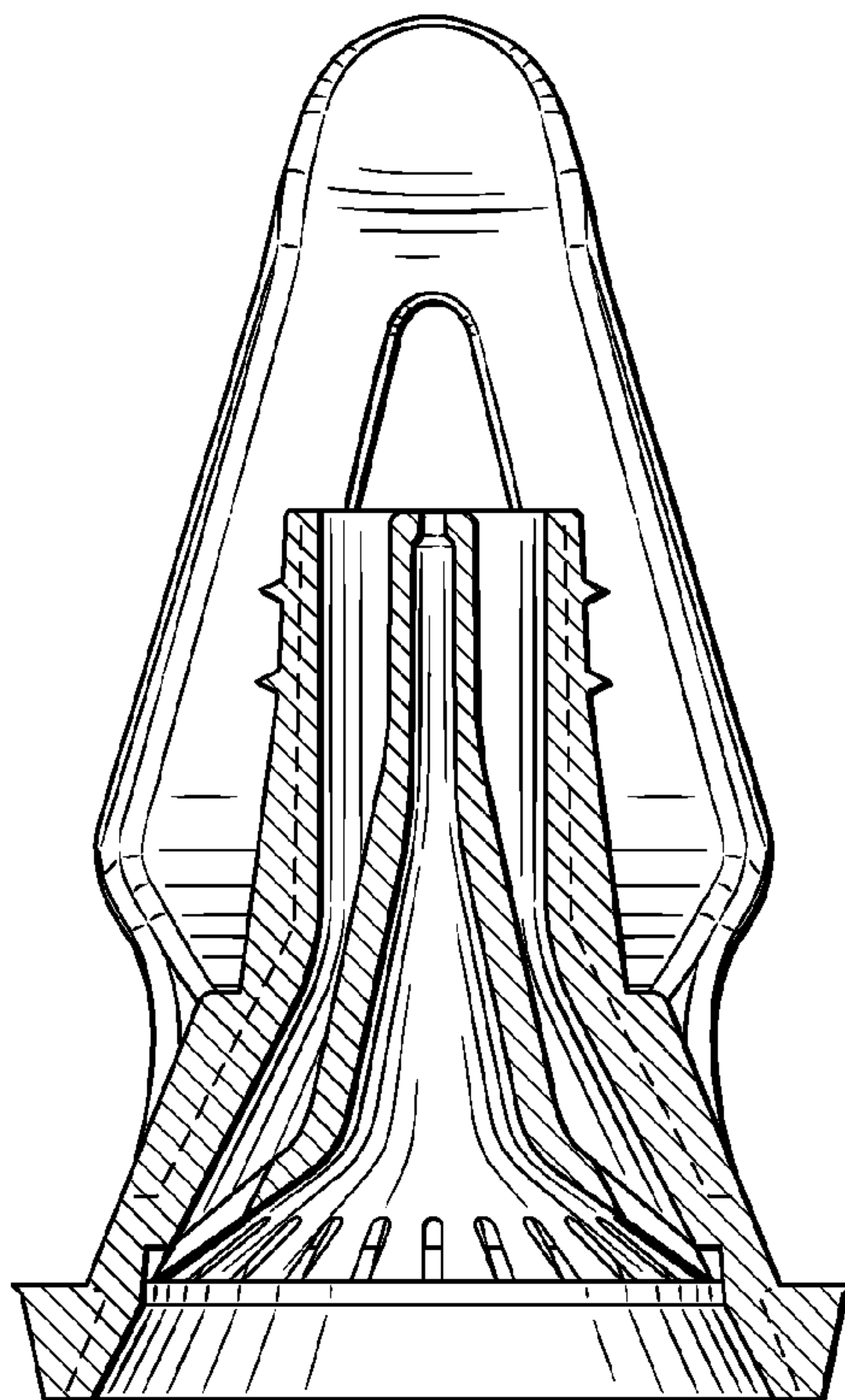


FIG. 6