



US00D635818S

(12) **United States Design Patent**
Tse

(10) **Patent No.:** **US D635,818 S**

(45) **Date of Patent:** **** Apr. 12, 2011**

(54) **SLOW COOKER**

(75) Inventor: **Shun Keith Chung Tse**, Tin Hau (HK)

(73) Assignee: **Conair Corporation**, Stamford, CT
(US)

(**) Term: **14 Years**

(21) Appl. No.: **29/354,163**

(22) Filed: **Jan. 20, 2010**

(51) **LOC (9) Cl.** **07-02**

(52) **U.S. Cl.** **D7/357; D7/354**

(58) **Field of Classification Search** D7/309,
D7/323, 329-331, 339, 346-347, 350.1-350.4,
D7/354-363; 99/324-325, 331-332, 337-339,
99/369, 403-418; 219/405, 435-442, 620-624,
219/725, 730-735; 220/912; 426/438, 441
See application file for complete search history.

(56) **References Cited**

U.S. PATENT DOCUMENTS

| | | | | |
|--------------|---------|---------------|-------|--------|
| D420,246 S * | 2/2000 | Alonge et al. | | D7/360 |
| D425,360 S * | 5/2000 | Dobson et al. | | D7/360 |
| D429,596 S * | 8/2000 | Hlava et al. | | D7/360 |
| D433,869 S * | 11/2000 | Wong et al. | | D7/360 |
| D434,940 S * | 12/2000 | Hlava et al. | | D7/354 |
| D450,528 S * | 11/2001 | Rossman | | D7/360 |

| | | | | |
|----------------|---------|----------------|-------|---------|
| D537,670 S * | 3/2007 | Genslak et al. | | D7/354 |
| 7,291,812 B2 * | 11/2007 | Kaney et al. | | 219/435 |
| D556,504 S * | 12/2007 | Averty | | D7/360 |
| D568,676 S * | 5/2008 | Steiner et al. | | D7/354 |
| D575,578 S * | 8/2008 | Ball | | D7/360 |
| D590,654 S * | 4/2009 | Perkins et al. | | D7/354 |
| D606,803 S * | 12/2009 | Picozza et al. | | D7/354 |

* cited by examiner

Primary Examiner — Ricky Pham

(74) *Attorney, Agent, or Firm* — Lawrence Cruz

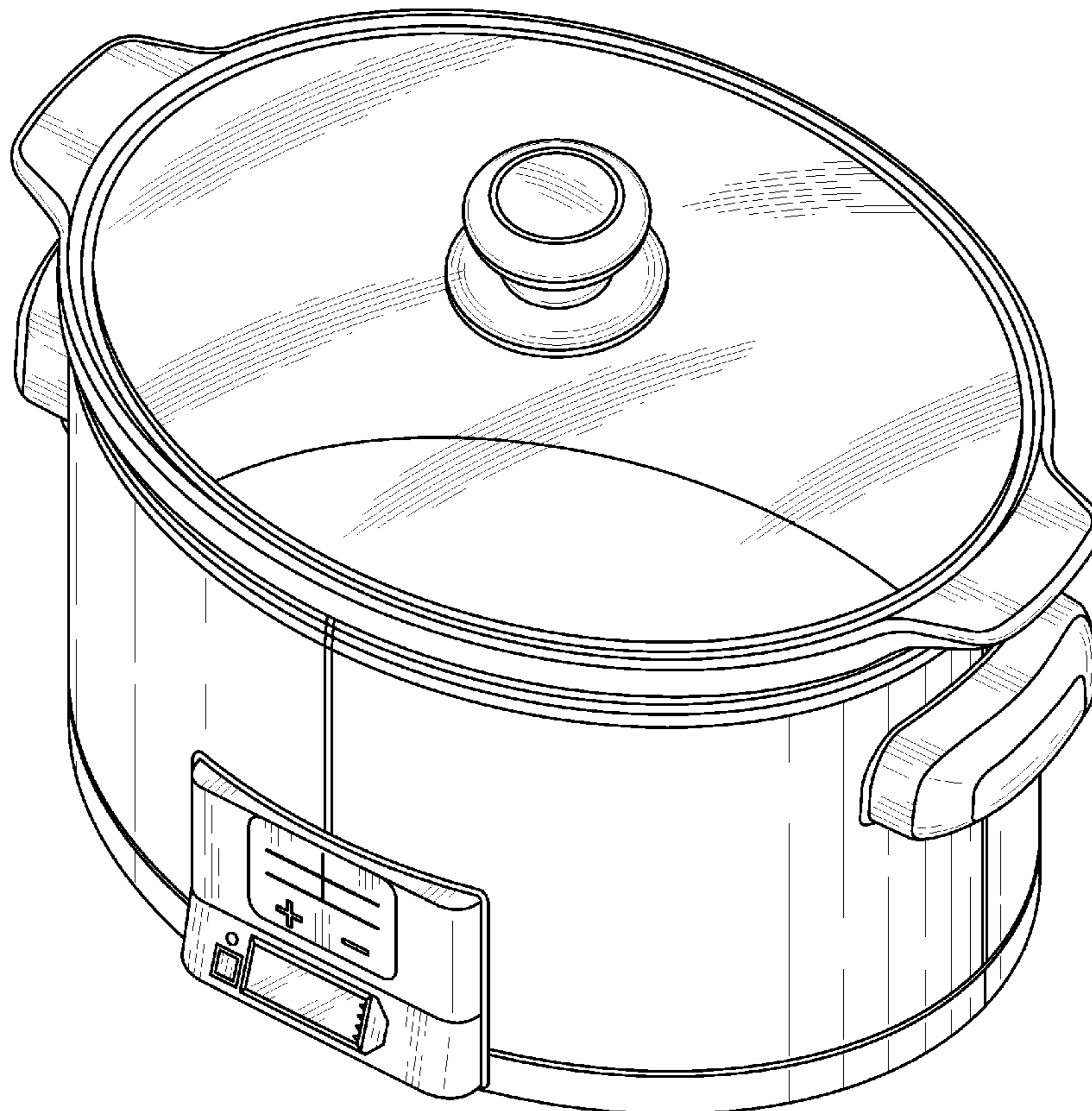
(57) **CLAIM**

The ornamental design for a slow cooker, as shown and described.

DESCRIPTION

FIG. 1 is a perspective view of a slow cooker showing a new design;
FIG. 2 is a front elevational view thereof;
FIG. 3 is a rear elevational view thereof;
FIG. 4 is a right side elevational view thereof;
FIG. 5 is a left side elevational view thereof; and,
FIG. 6 is a top plan view thereof.
The bottom of the slow cooker (not shown) forms no part of the claimed design.
The broken lines are for illustrative purposes only and form no part of the claimed design.

1 Claim, 6 Drawing Sheets



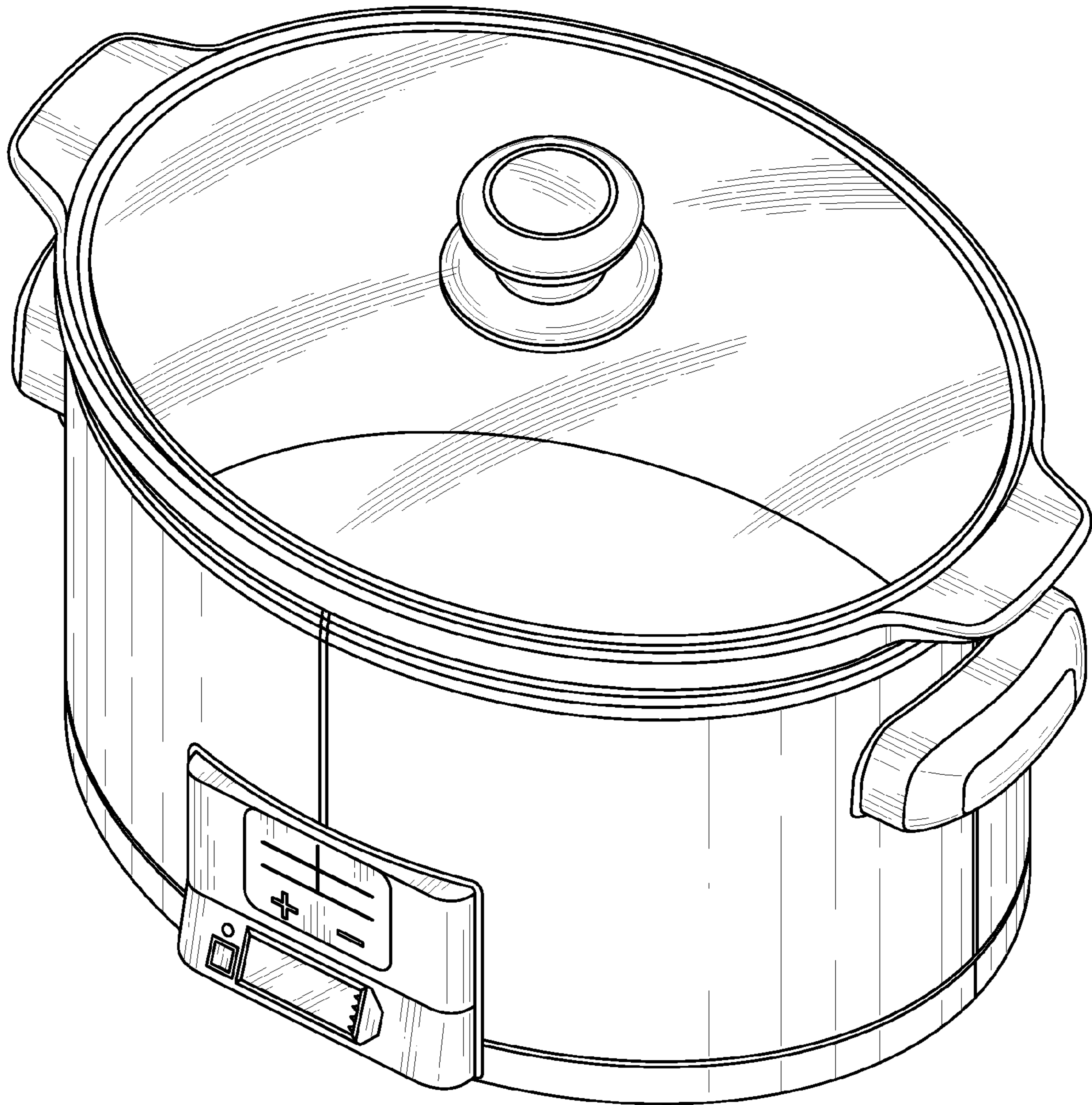


FIG. 1

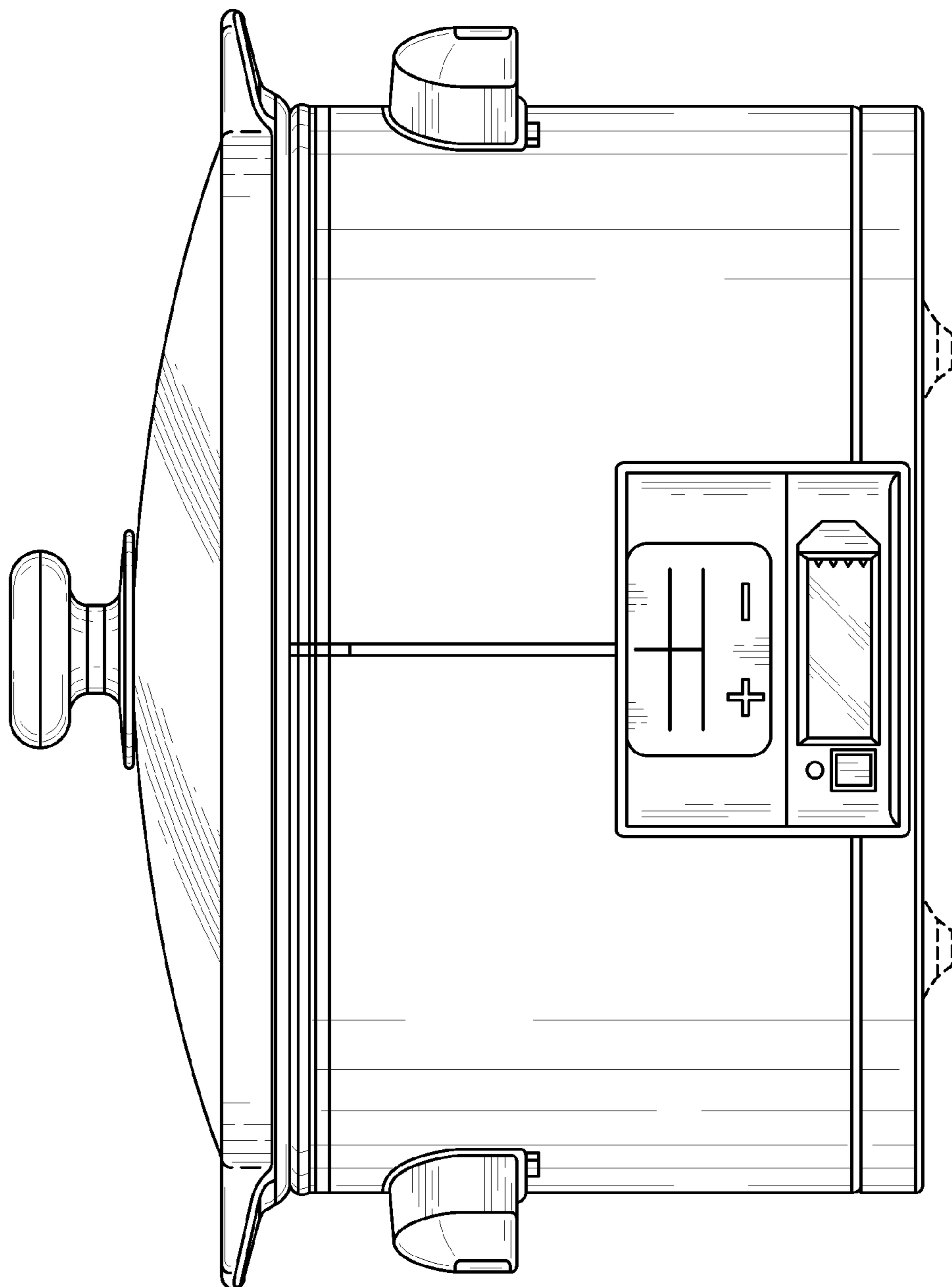


FIG. 2

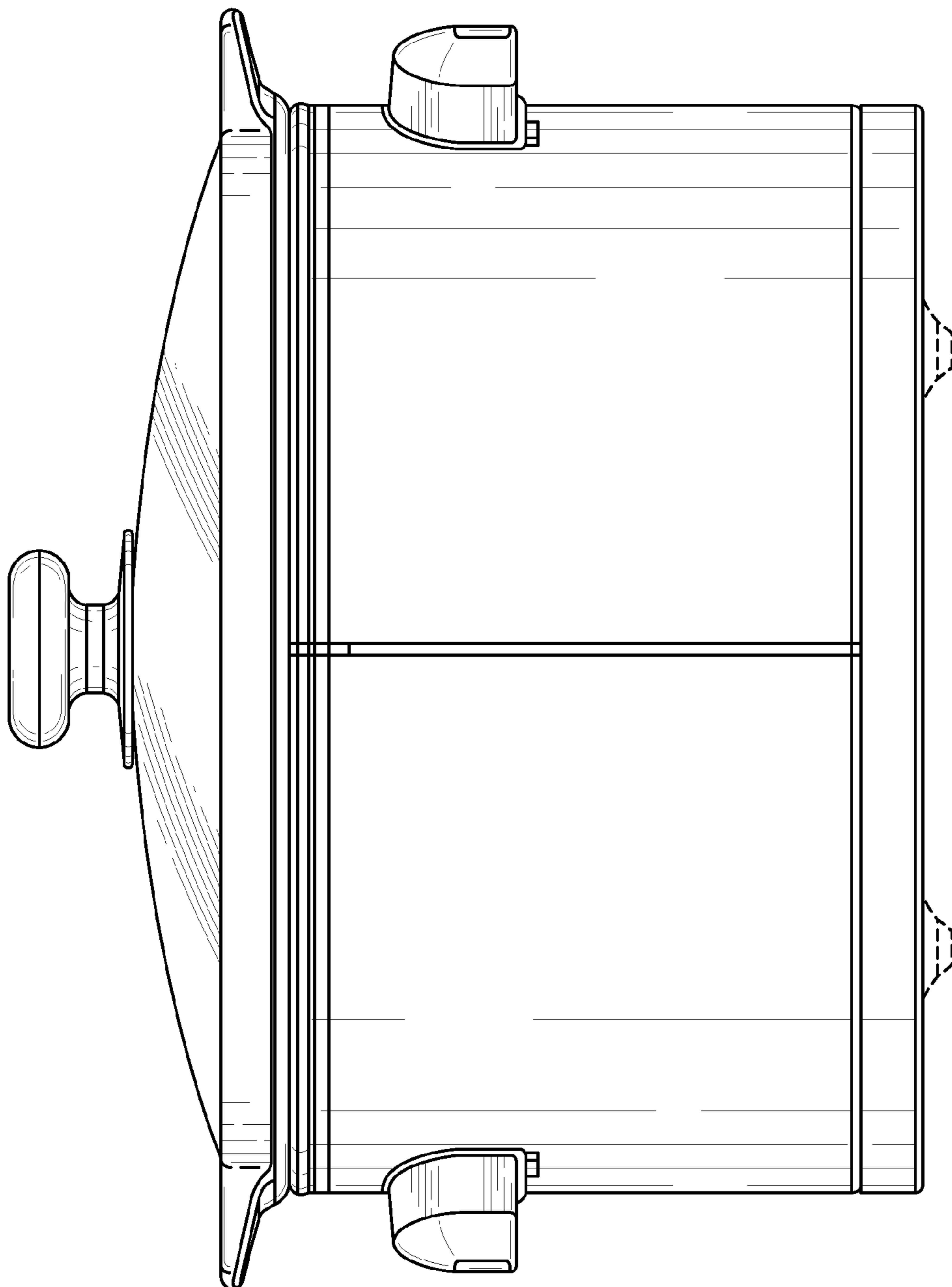


FIG. 3

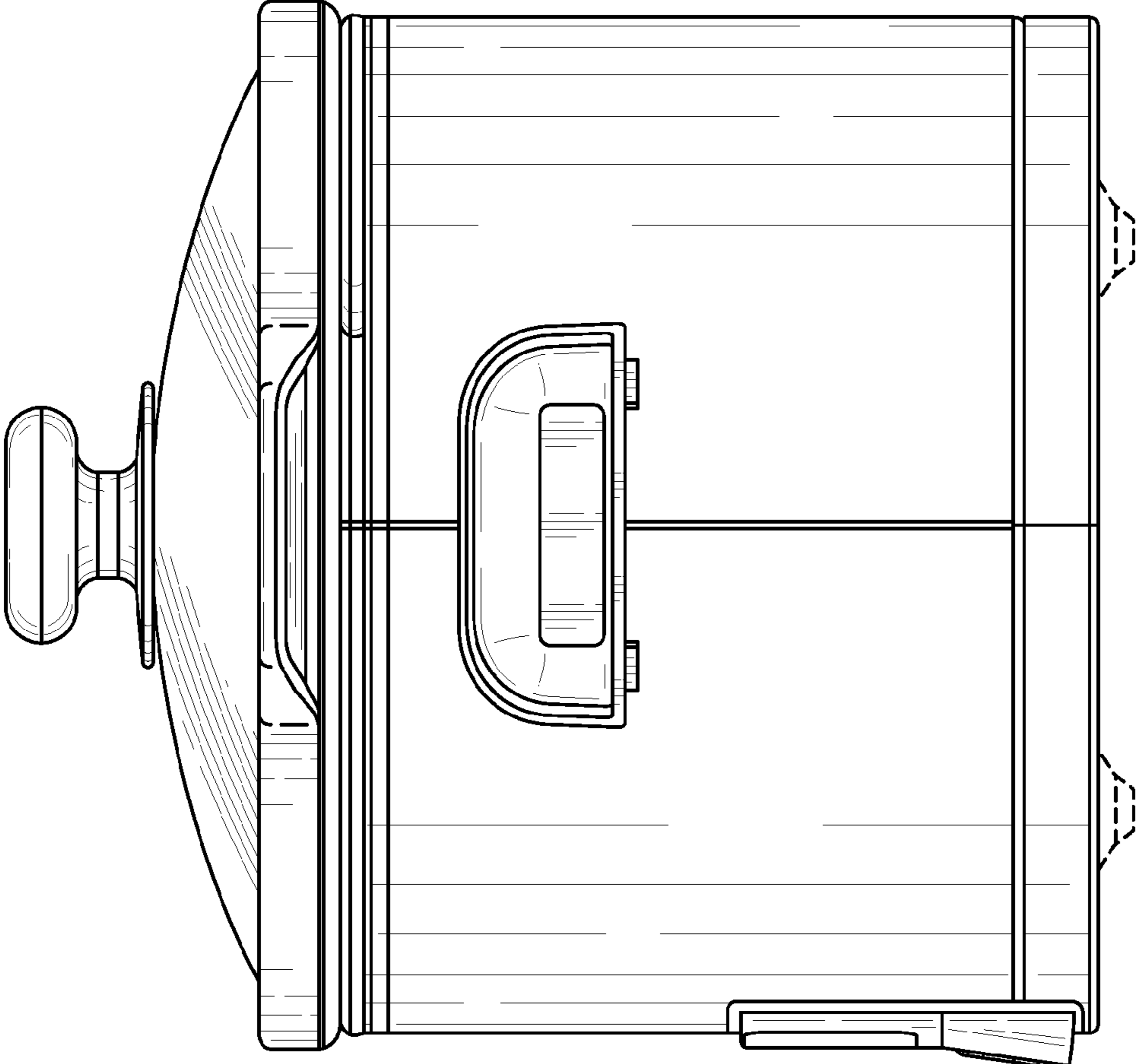


FIG. 4

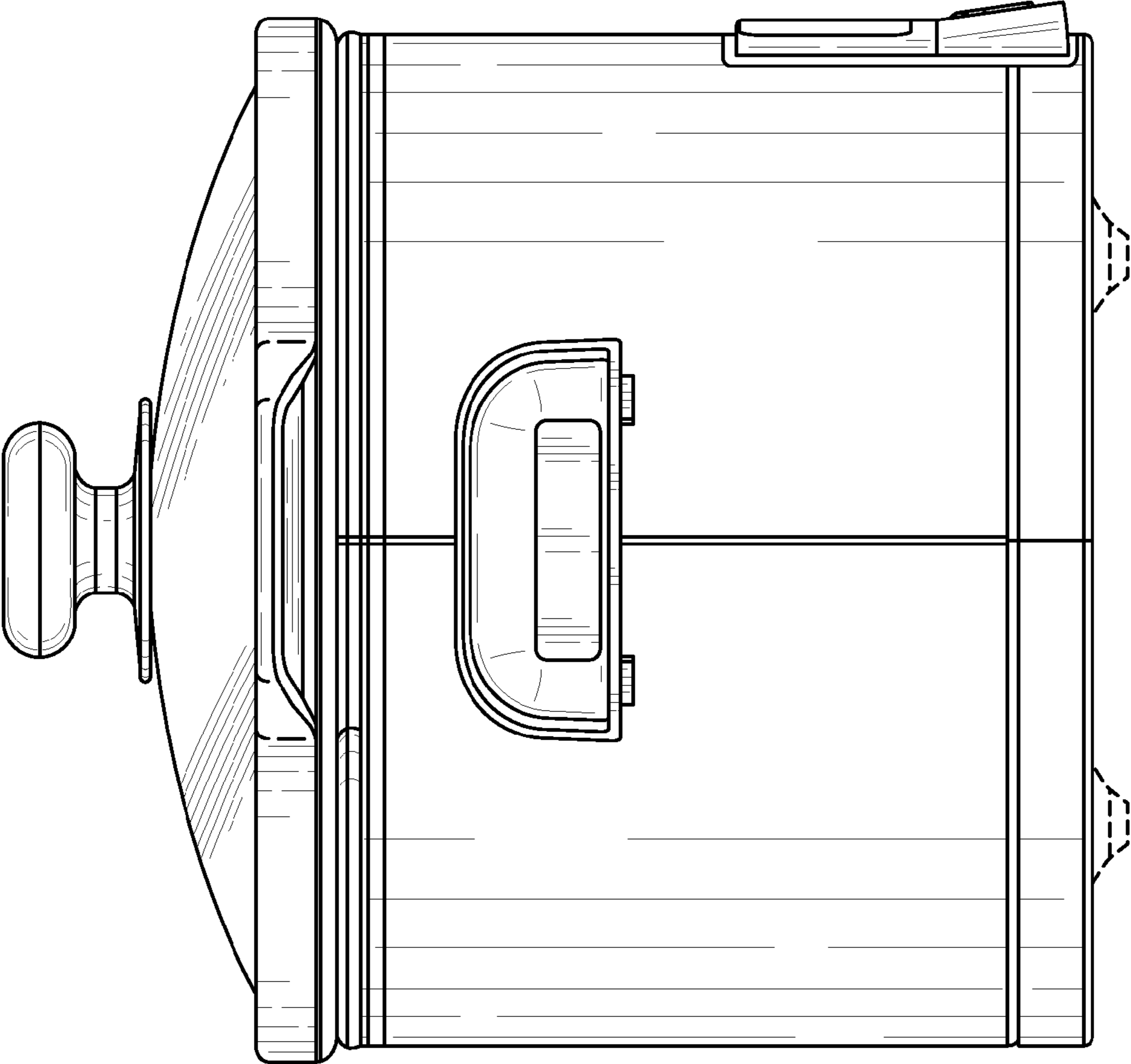


FIG. 5

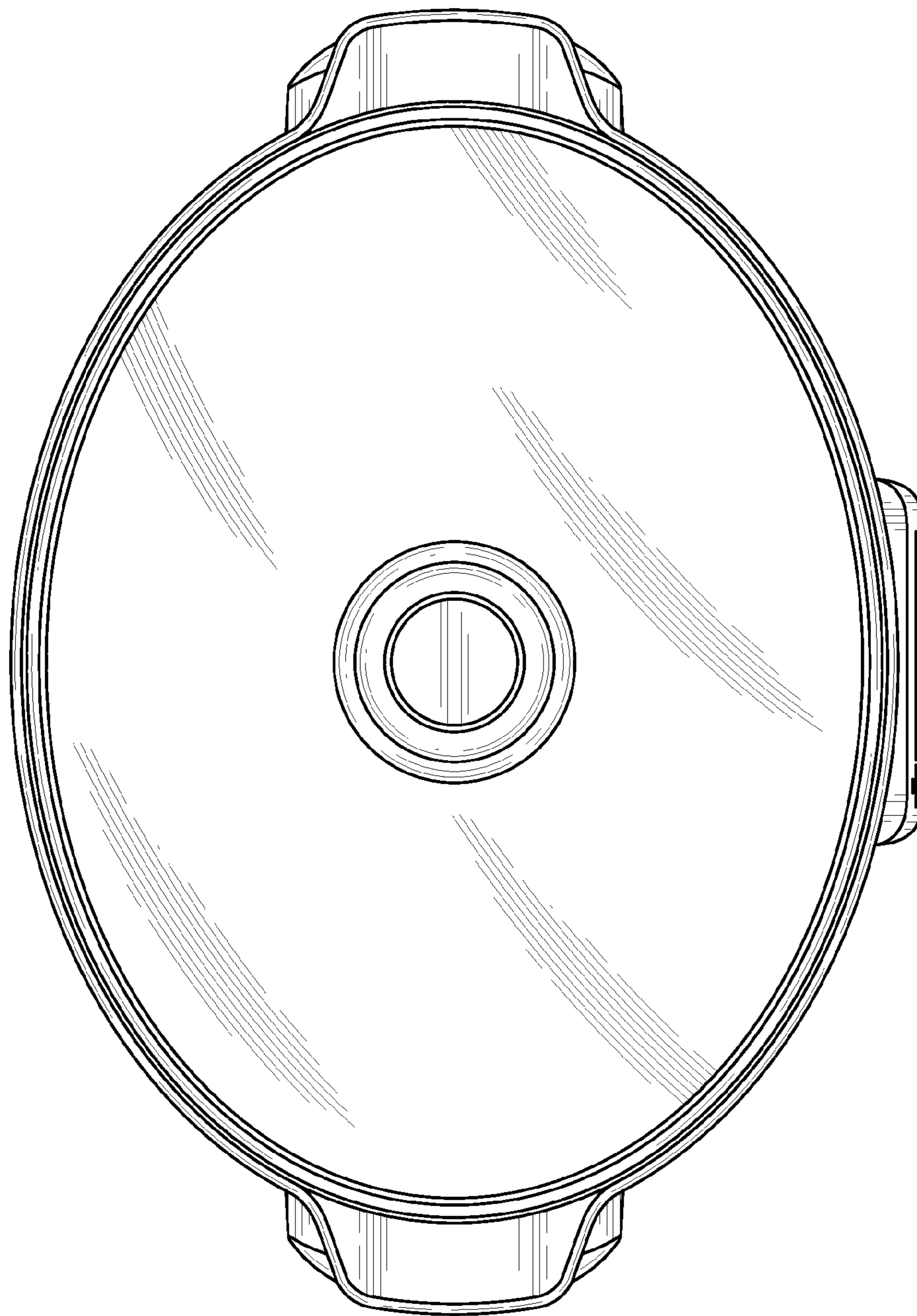


FIG. 6