

US00D635815S

(12) **United States Design Patent**
De'Longhi

(10) **Patent No.:** **US D635,815 S**

(45) **Date of Patent:** **** Apr. 12, 2011**

(54) **ELECTRIC OVEN**

(75) **Inventor:** **Giuseppe De'Longhi, Treviso (IT)**

(73) **Assignee:** **De'Longhi Appliances SRL Con Unico Socio, Treviso (IT)**

(**) **Term:** **14 Years**

(21) **Appl. No.:** **29/375,319**

(22) **Filed:** **Sep. 21, 2010**

(30) **Foreign Application Priority Data**

Mar. 29, 2010 (EP) 1204788-0002

(51) **LOC (9) Cl.** **07-02**

(52) **U.S. Cl.** **D7/350.1**

(58) **Field of Classification Search** D7/350.1,
D7/350.3, 350.4, 351, 402, 405, 406; 219/756,
219/757, 758, 391; 126/19 M, 21 A, 275 E,
126/275 R; 99/352, 391, 385

See application file for complete search history.

(56) **References Cited**

U.S. PATENT DOCUMENTS

D380,643 S *	7/1997	Piret	D7/350.4
D386,938 S *	12/1997	Piret	D7/350.4
D412,637 S *	8/1999	Piret	D7/350.4
D415,926 S *	11/1999	De'Longhi	D7/350.4
D420,245 S *	2/2000	De'Longhi	D7/350.4
D444,992 S *	7/2001	Brady et al.	D7/350.4

D446,418 S *	8/2001	Cruz	D7/350.4
D447,905 S *	9/2001	Smith-Berry et al.	D7/350.4
D451,752 S *	12/2001	Davis et al.	D7/350.4
D461,091 S *	8/2002	Chen	D7/350.4
D476,846 S *	7/2003	Piret	D7/351
D481,582 S *	11/2003	Seum et al.	D7/350.1
6,960,742 B2 *	11/2005	Wei	219/391
D521,799 S *	5/2006	Ledingham et al.	D7/350.1
D575,979 S *	9/2008	Borin	D7/350.1
D602,306 S *	10/2009	Lavy	D7/350.1
D614,906 S *	5/2010	Fiorotto	D7/350.1
D625,557 S *	10/2010	Pino et al.	D7/405
2006/0131296 A1 *	6/2006	Wong et al.	219/391
2009/0107343 A1 *	4/2009	De'Longhi	99/352

* cited by examiner

Primary Examiner — Ruth McInroy

(74) *Attorney, Agent, or Firm* — Mannava & Kang, P.C.

(57) **CLAIM**

The ornamental design for an electric oven, as shown and described.

DESCRIPTION

FIG. 1 is a perspective view of an electric oven showing my new design;

FIG. 2 is a front view thereof;

FIG. 3 is a rear view thereof;

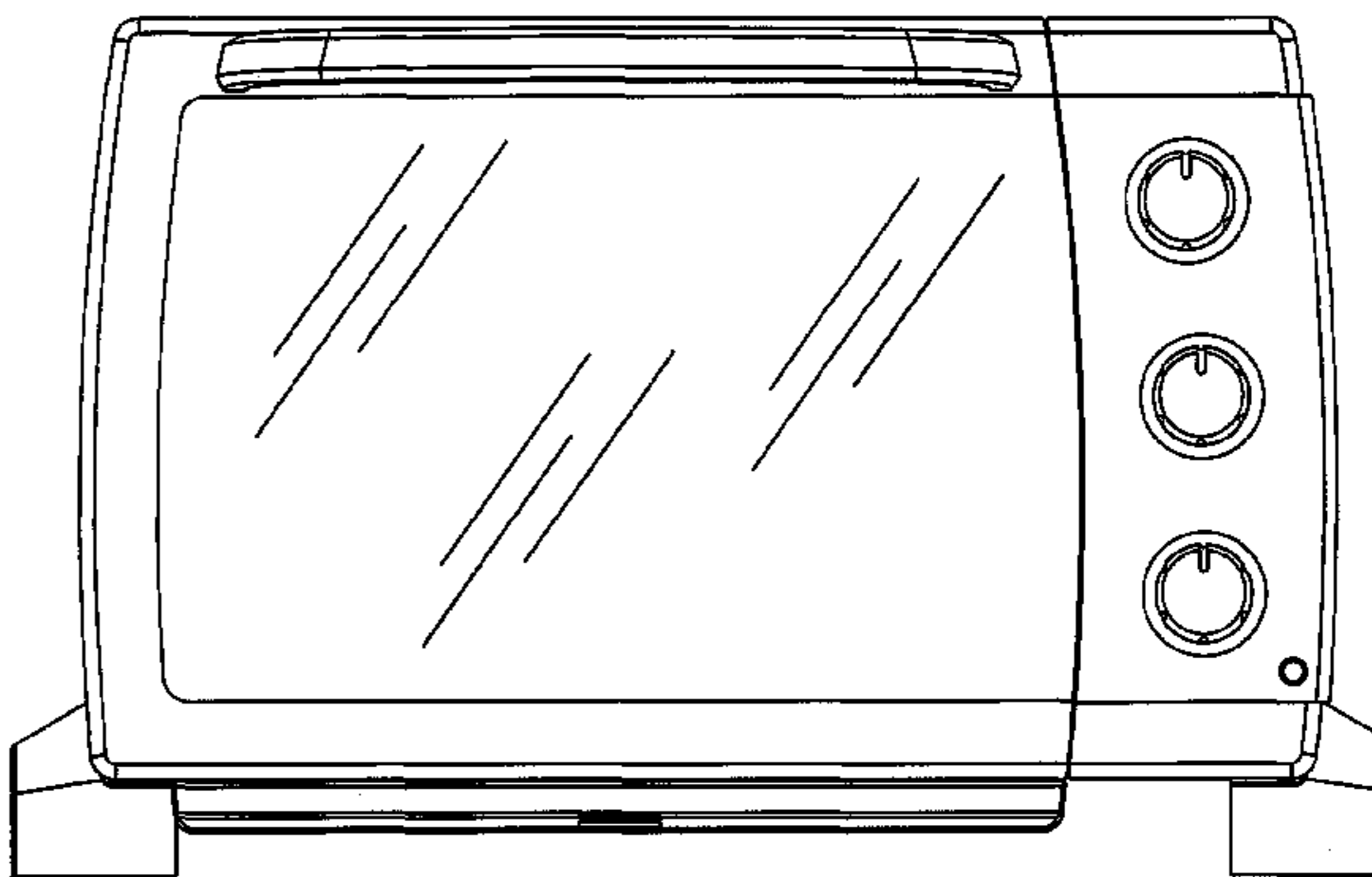
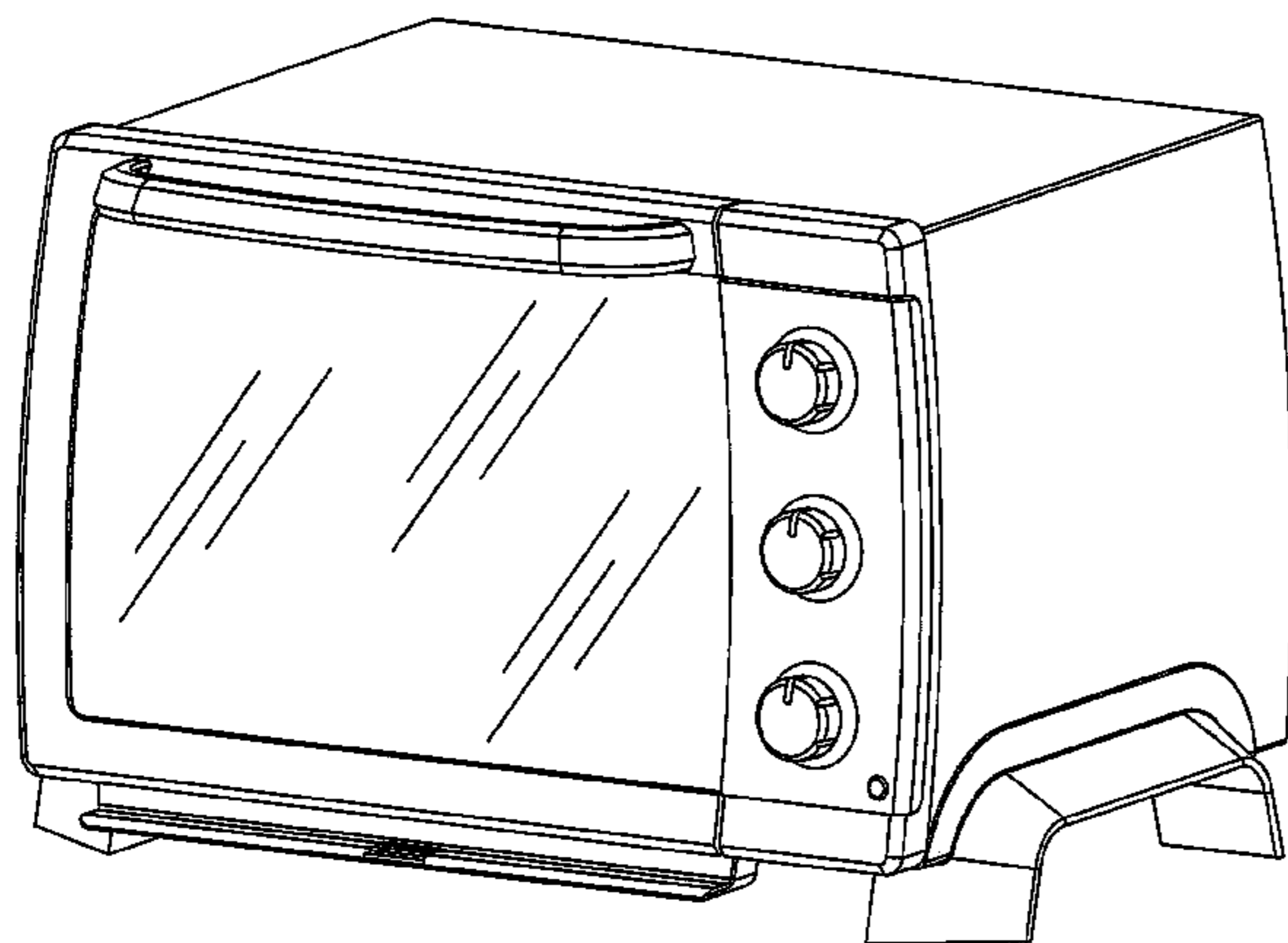
FIG. 4 is a left side view thereof;

FIG. 5 is a right side view thereof

FIG. 6 is a top view thereof; and,

FIG. 7 is a bottom view thereof.

1 Claim, 7 Drawing Sheets



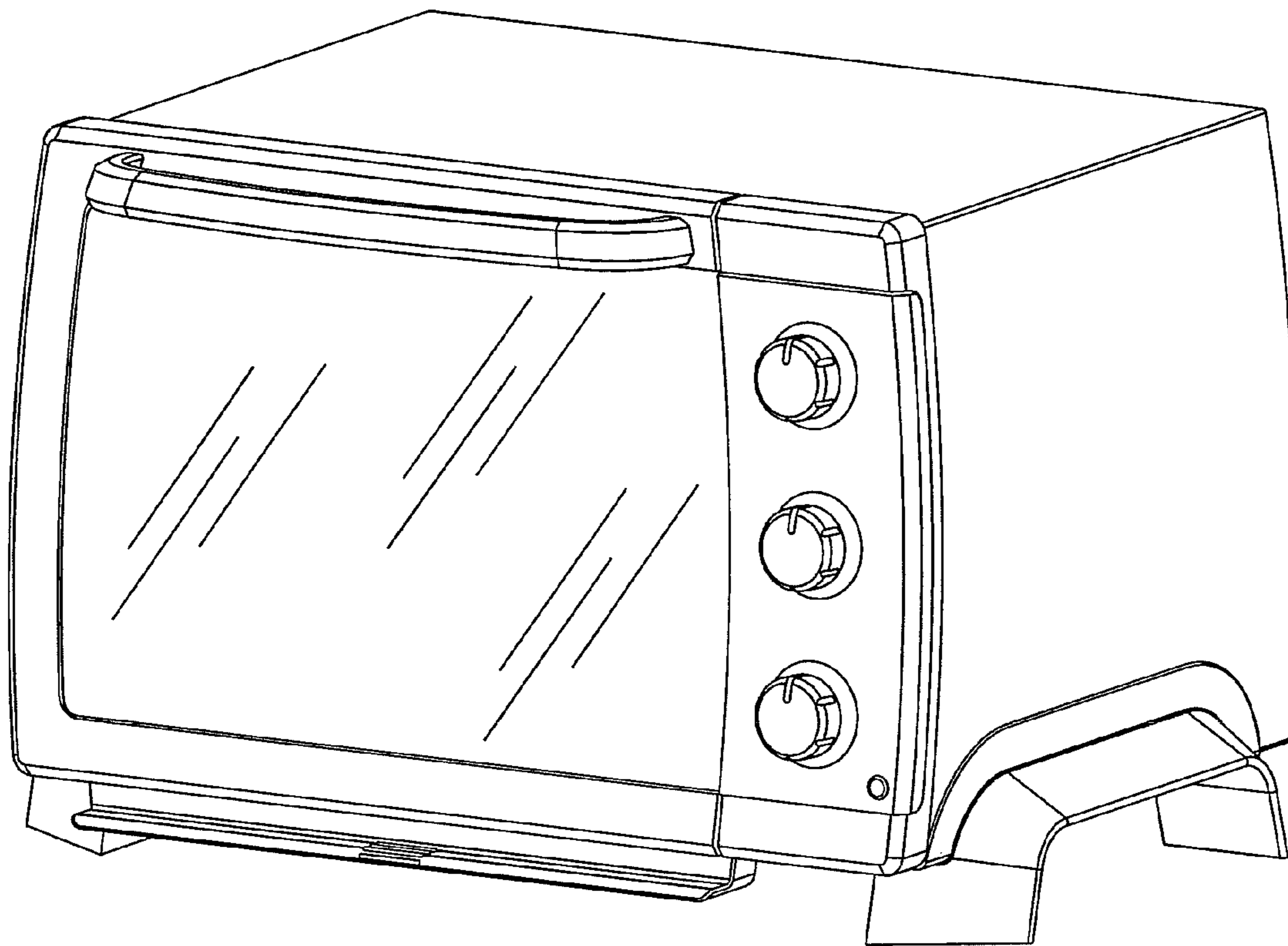


FIG. 1

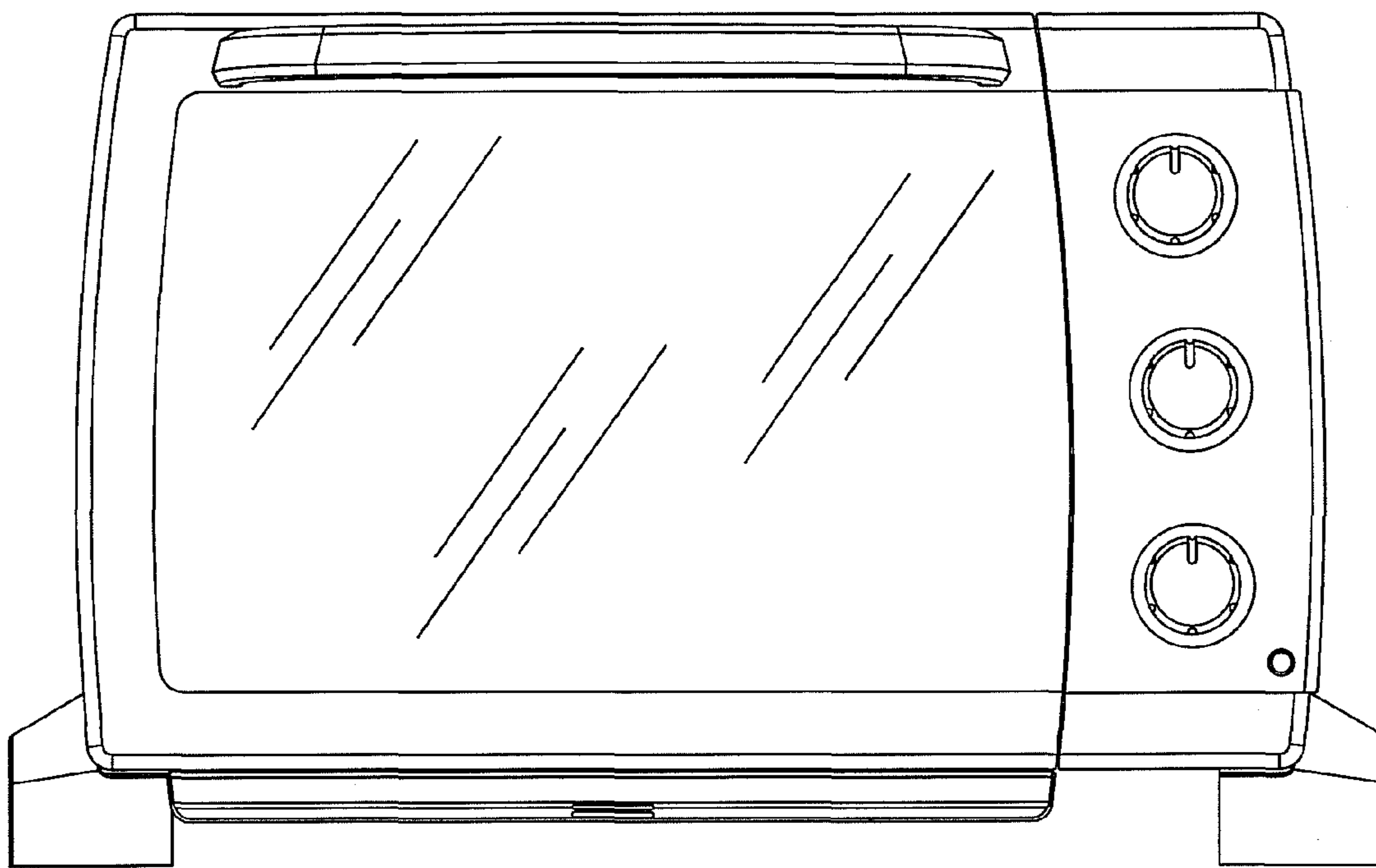


FIG. 2

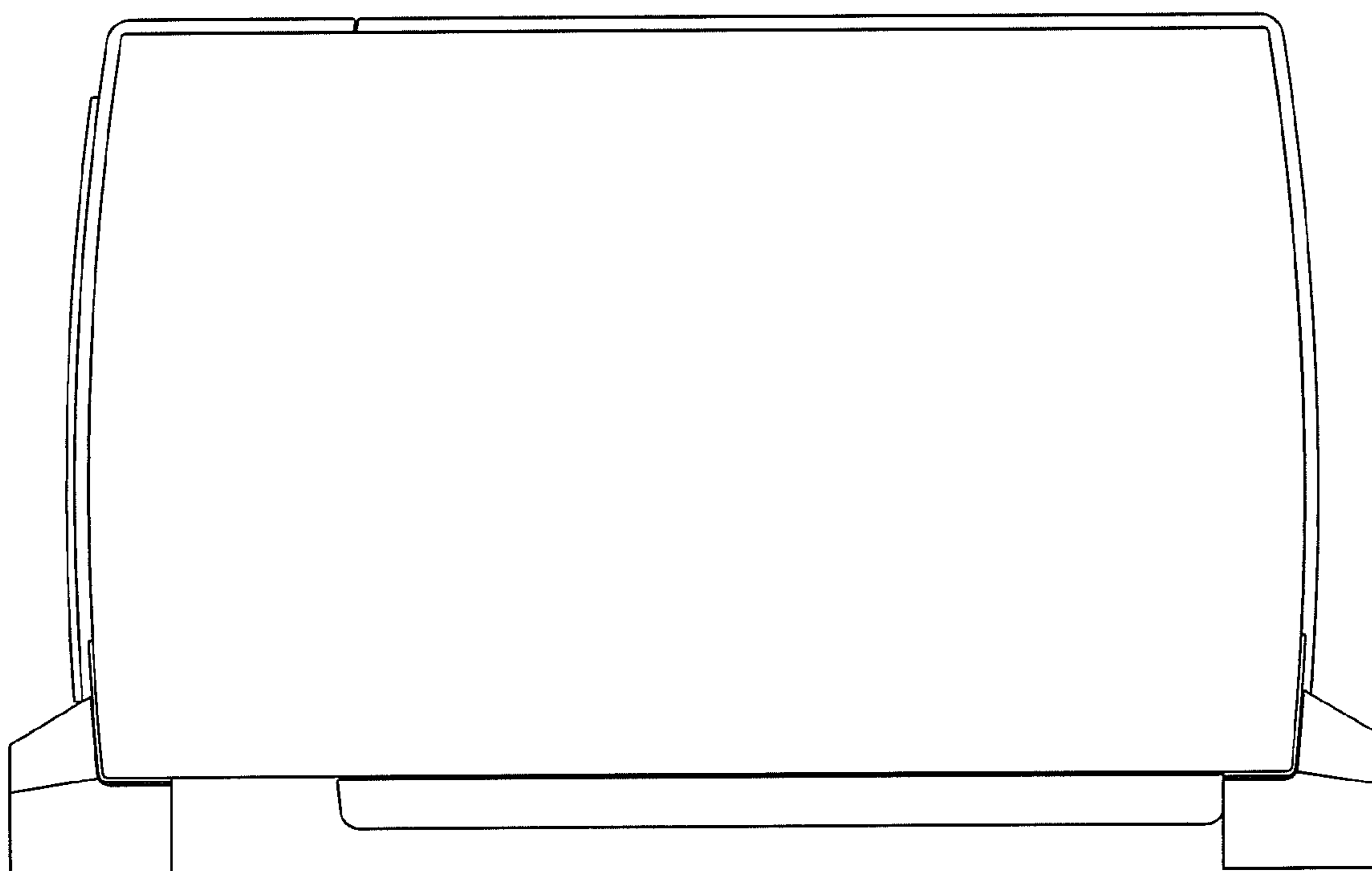


FIG. 3

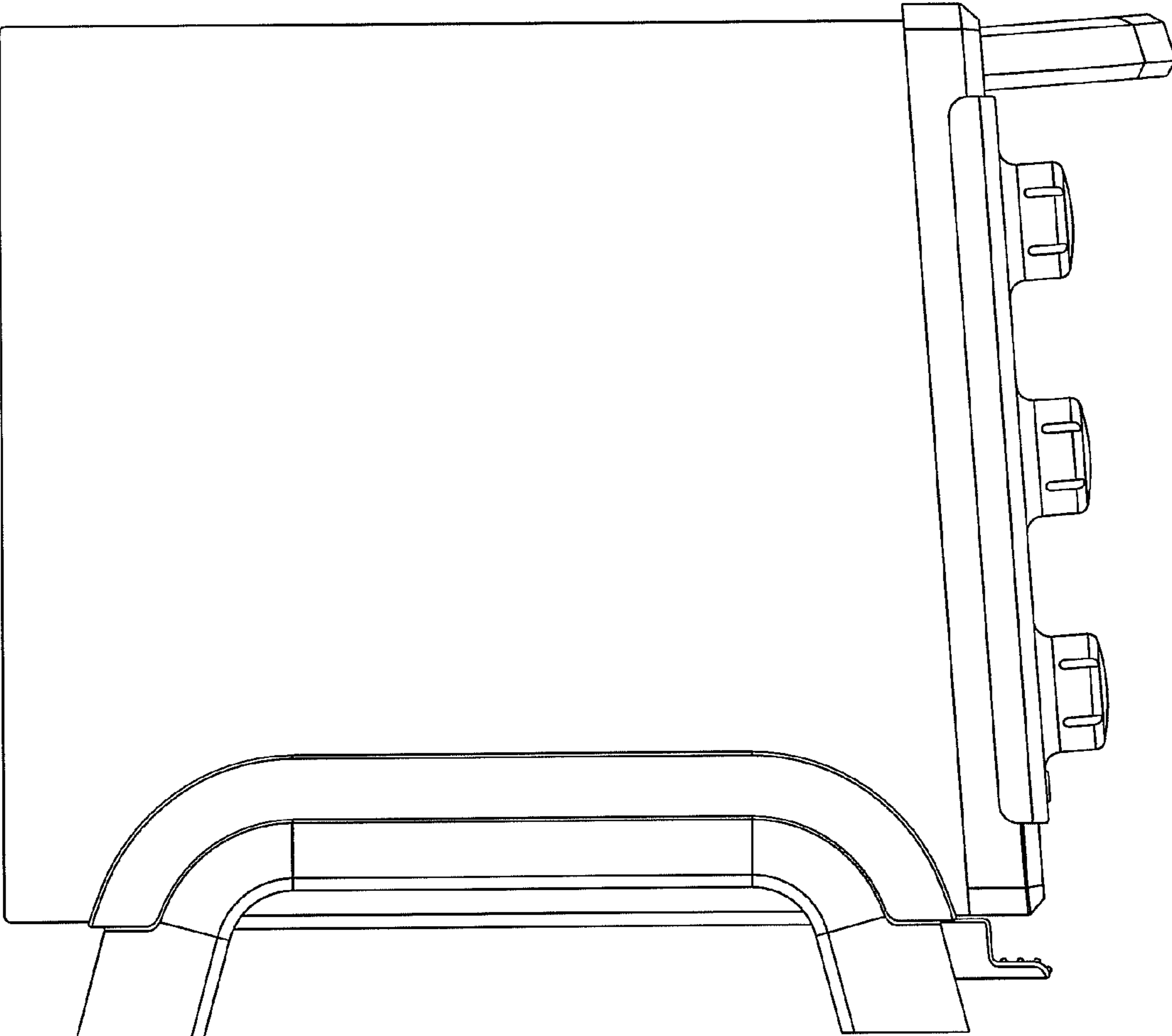


FIG. 4

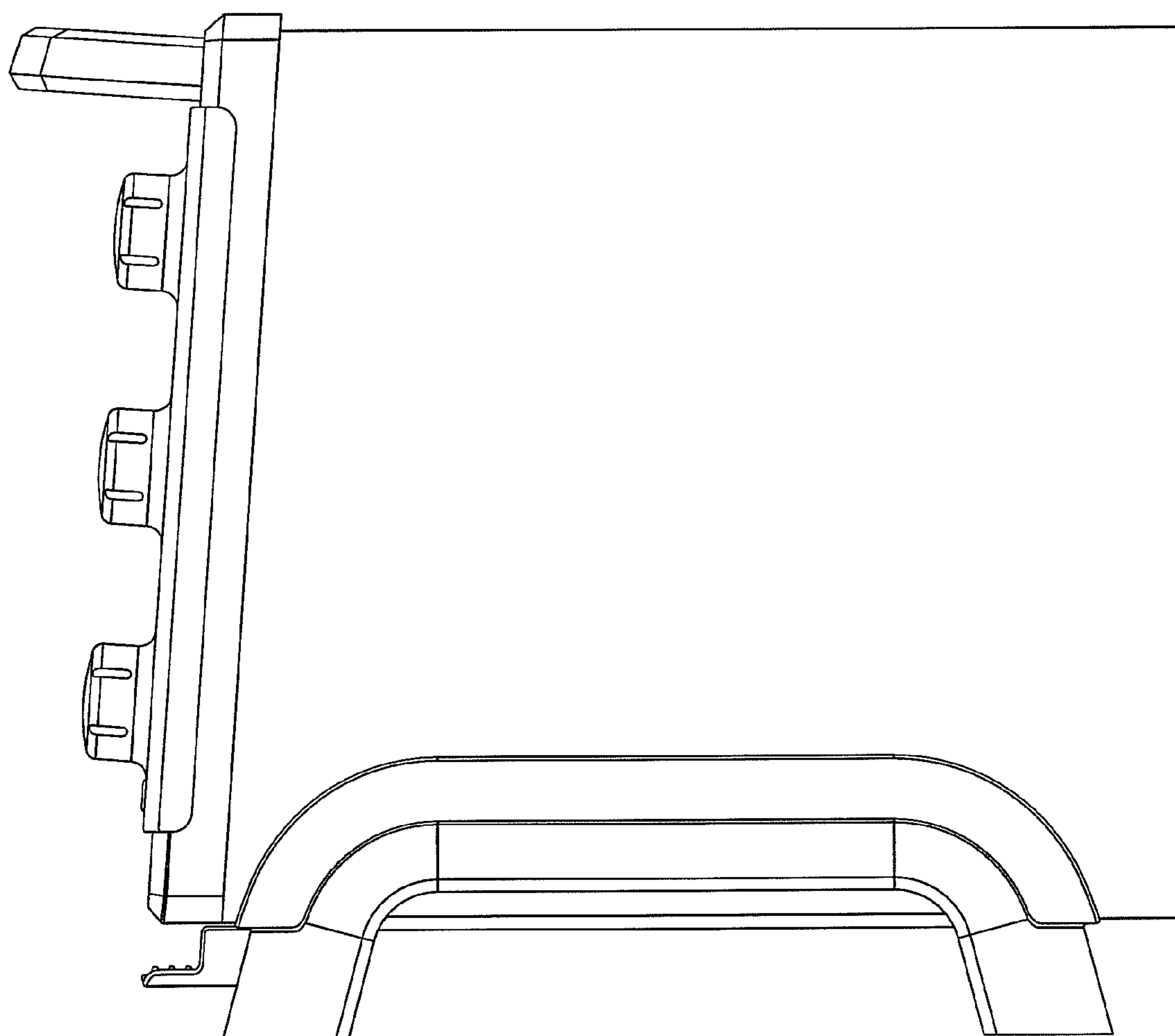


FIG. 5

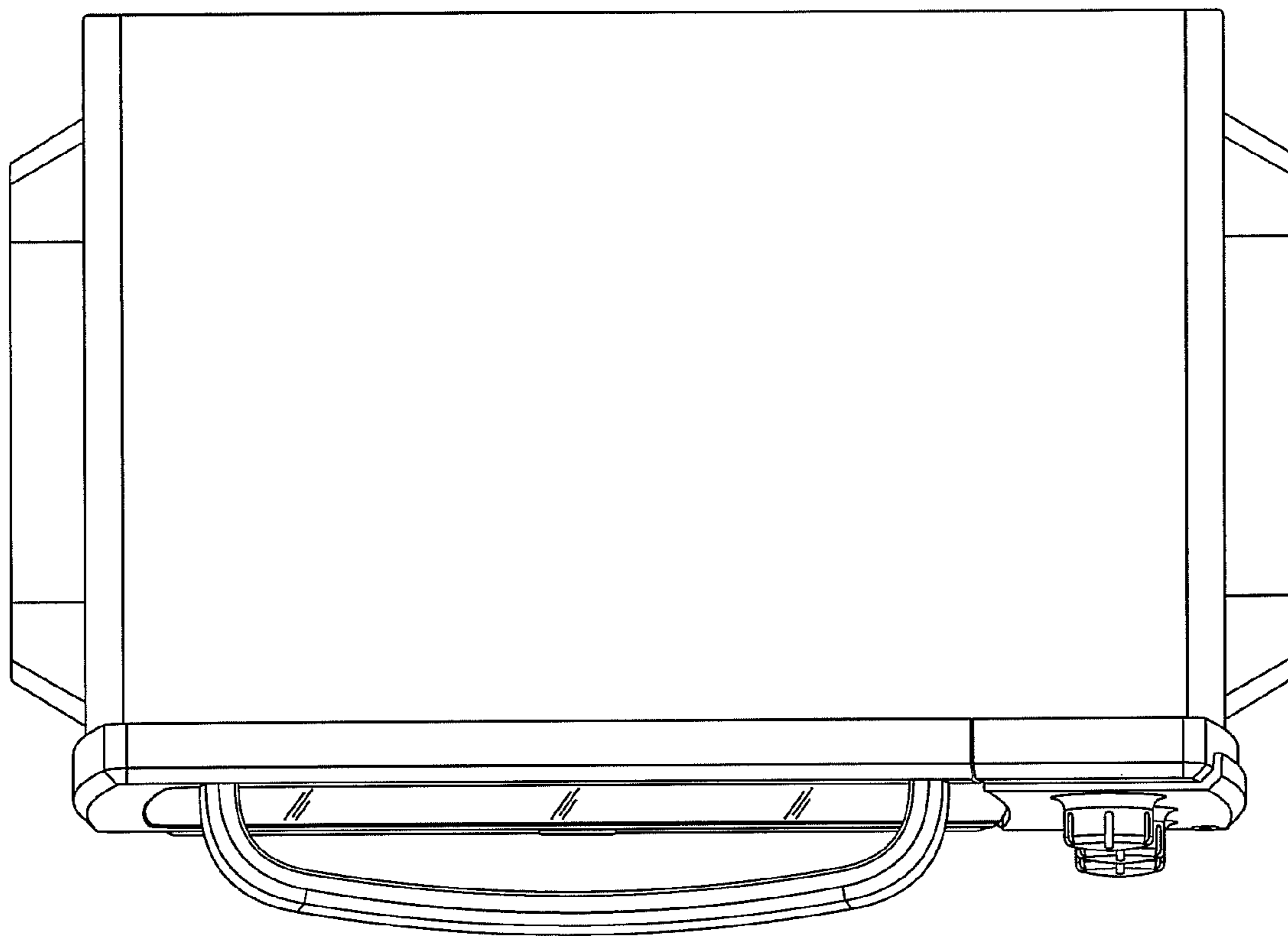


FIG. 6

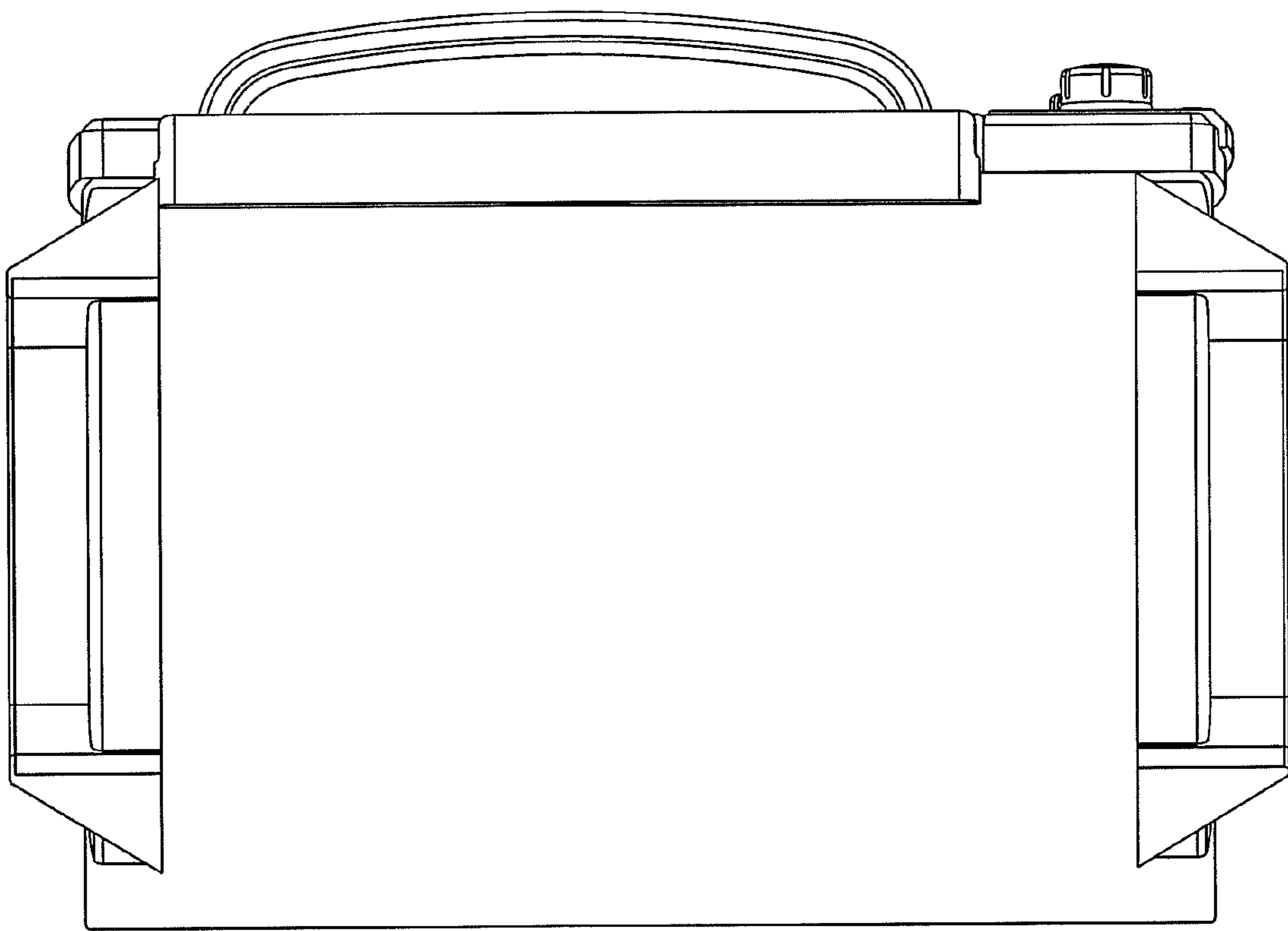


FIG. 7